

PICMG 1.3

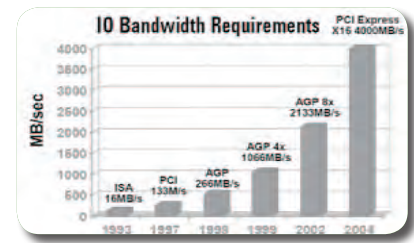
Allows users to protect their investment in PCI (PCI-X) technology while taking advantage of the speed and increased bandwidth of PCI Express

What is PICMG 1.3 ?

- Bringing PCI Express to your SBC increased speed and bandwidth**
 Designed to interface with PCI Express peripherals on a backplane. The PCI Express interconnects with the backplane and can operate at x1, x4, x8, x16, and more depending on the capabilities of both the SHB and the backplane.
- Support PCI (PCI-X) on board with flexibility**
 The optional PCI (-X) portion of the SHB interconnect with the backplane allows for 32-bit operation. The clock rate can be 33MHz, 66MHz, 100MHz, and 133MHz, depending on how the backplane and SHB are designed.
- Miscellaneous IO**
 SATA, USB, IPMB, SMBUS, Geographic Addressing, and PCI Wake Up to the backplane is specified. Simplified the cabling on SHB for the system.

PICMG 1.3 Key Features

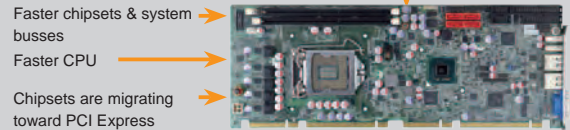
- PCI Express**
 20 PCI Express lanes including x16, x4 and x1 PCI Express configuration are supported.
- ATX power signals are supported**
 AUX voltages for stand-by power and sleep states (Soft starts, wake-on-LAN). Supports PSON#, PWRGD, PWRRBT#, and ACPI states.



Why PICMG 1.3?

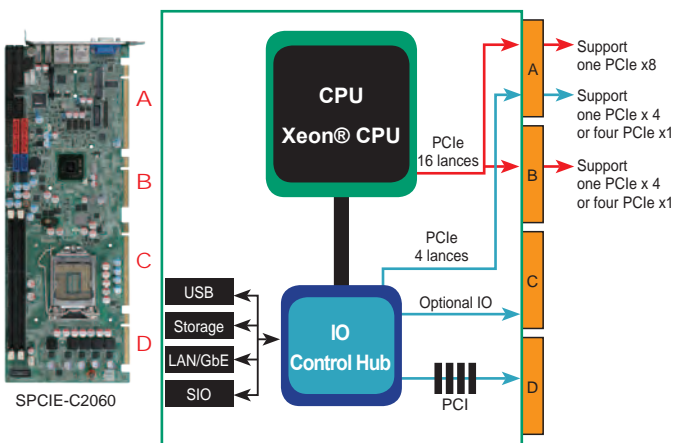
- This new technology is expected to allow PCIe transmission rates to keep pace with processor and I/O advances for the next 10 years or more.
- Same basic mechanical dimensions are maintained to minimize chassis redesign expense
- Better host board power management and simplified I/O cabling
- Supports PCI Express and PCI option cards without driver changing

The Future will be... Chipsets no longer offer native support for ISA

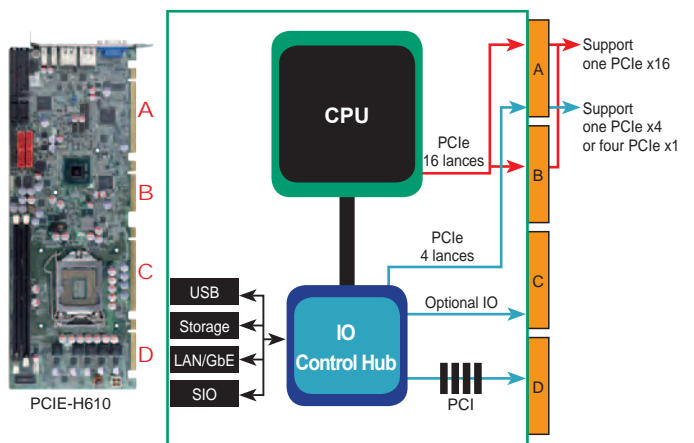


Graphic & Server Grade PICMG 1.3 Solutions

Type 1: Server Grade SBC



Type 2: Graphic Grade SBC



Server Grade SBC can support PCIe x16 (graphic mode) with IEI PE/PXE backplanes

PICMG 1.3 PCIe Slots Configuration

SBC Type	Type 1			Type 2	
	Server Grade	Server & Graphic Grade	Server Grade	Server & Graphic Grade	
PCIe Slots Available (Non-switch)	A	B	C	A	B
	x16	1	1	1	1
	x8	2	2	-	-
	x4	1	1	1	-
x1	-	-	3	-	4
Backplane Solution	IEI SPE/SPXE series			IEI PE/PXE series	