

All-in-one Medical Grade Panel PC

User-friendly-oriented design is always the core value of us. IEI all-in-one medical grade panel PC series offers three product lines to accommodate all healthcare needs. All products are equipped with antibacteria chassis and IP65 front bezel for easy sterilization. The touch panel still works under wearing multi-layer medical gloves. In addition, the products we designed support various communication functions, such as Bluetooth, 1D/2D barcode scanner, RFID, SCR and MSR. These units can provide clinician personnel conveniences and increase the work efficiency.



POC Series



Point-of-care terminal

- Rich bottom I/O
- High performance with smart fan/ fanless system
- Ambient light sensor for panel brightness adjustment

POCm Series



Mobile point-of-care terminal

- Lightweight design: under 6.8kg without battery
- High performance with fanless system
- Multiple storage option: 1 x 2.5" Accessible SATA HDD bay or 2 x 2 x M-key M.2 2242/60/80 (PCIe+SATA) with RAID
- 3 hot swappable batteries with battery management utility design

BIS Series



Bedside

- Back I/O with 1.5kV isolated RS-232/422/485
- High performance with fanless system
- Monitor mode

Medical Certifications



Selection Guide

Preliminary



Series		POC				
Model		POC-17C-ULT3	POC-17i-HM55	POC-19i-HM55	POC-W22A-H81	POC-W24C-ULT3
LCD/Touch	LCD Size (inch)	17"	17"	19"	22"	24"
	Max. Resolution	1280 (W) x 1024 (H)			1920 (W) x 1080 (H)	
	Brightness (cd/m ²)	350			250	
	Contrast Ratio	1000:1	800:1	1000:1	1000:1	1000:1
	LCD Color	16.7M	16.7M	16.7M	16.7M	16.7M
	Viewing Angle (H-V)	170°/160°			170°/160°	
	Touchscreen	Projected capacitive type with USB interface	5-wire resistive type	5-wire resistive type	Projected capacitive type with 10-point multi-touch	Projected capacitive type with 10-point multi-touch
System	CPU	6th Generation Intel® mobile ULT Core™ i7/i5/Celeron® processor	Intel® mobile Core™ i7/i5/i3 CPU		Intel® desktop Core™ i5/i3/Pentium®/CPU (up to TDP 35W CPU)	6th Generation Intel® mobile ULT Core™ i7/i5/Celeron® processor 7th Generation Intel® mobile ULT Core™ i7/i5/Celeron® processor (by project base)
	Chipset	--	Intel® HM55		Intel® H81	--
	Memory	Two 260-pin 1600/1333MHz dual-channel DDR4 SO-DIMM, 4GB pre-installed (system max. 32GB)	Two 204-pin 800/1066 MHz DDR3 dual-channel SO-DIMM (system max. 8GB)		Two 204-pin 1600/1333MHz dual-channel DDR3 SO-DIMM, 4GB pre-installed (system max. 16GB)	Two 260-pin 1600/1333MHz dual-channel DDR4 SO-DIMM, 4GB pre-installed (system max. 32GB)
	I/O Ports	1 x RJ-11 for 1D/2D barcode reader 4 x USB 2.0 (2 on the side) 4 x USB 3.0 port 1 x HDMI output 2 x GbE LAN port 1 x RS-232/422/485 1 x 12~28V DC jack	1 x RS-232 by DB-9 2 x GbE LAN by RJ-45 1 x HDMI port 1 x VGA port by DB-15 1 x Power switch	1 x RS-232 or RS-422/485 by DB-9 4 x USB connector 1 x Audio jack (line-out) 1 x Reset button 1 x Power jack	1 x RS-232/422/485 2 x GbE LAN by RJ-45 (1 for iRIS) 1 x Power button 1 x VGA output 1 x HDMI output 1 x 12V~28V DC Jack 2 x USB 3.0 4 x USB 2.0 (2 on the bottom and 2 on the side) 1 x RJ-11 for barcode module (1D/2D)	1 x RJ-11 for 1D/2D barcode reader 4 x USB 2.0 (2 on the side) 4 x USB 3.0 port 1 x HDMI output 2 x GbE LAN port 1 x RS-232/422/485 1 x 12~28V DC jack
	Storage	2 x 2.5" SATA 6Gb/s accessible HDD bay 1 x mSATA (E-Window)	1 x 2.5" SATA HDD bay		1 x 2.5" SATA HDD bay	1 x 2.5" SATA 6Gb/s HDD bay 1 x mSATA reserved (E-Window)
	Audio	2 x 2W speaker, digital microphone	2 x 3W speaker		2 x 2W speaker, digital microphone	2 x 2W speaker, digital microphone
	LED Function	RFID indicator	Power on/off LED on front panel		2-light battery status LED, RFID indicator LED	RFID indicator
	OSD Function	1 x LCD on/off 1 x Brightness up 1 x Brightness down 1 x Volume up 1 x Volume down 1 x Touch lock button for cleaning Combinations: 1 x Lock/Unlock OSD 1 x Power on/off	Five buttons (LCD on/off, Light +/-, Audio +/-)		1 x LCD on/off 1 x Brightness up 1 x Brightness down 1 x Volume up 1 x Volume down 1 x Touch lock button for cleaning Combinations: 1 x Lock/Unlock OSD 1 x Power on/off	1 x LCD on/off 1 x Brightness up 1 x Brightness down 1 x Volume up 1 x Volume down 1 x Touch lock button for cleaning Combinations: 1 x Lock/Unlock OSD 1 x Power on/off
	Auto-dimming	Yes	No		Yes	Yes
	Expansion	1 x E-Window slot (full-size PCIe Mini slot with PCIe/mSATA/USB)	N/A		1 x E-Window slot (full-size PCIe Mini slot with PCIe/mSATA/USB)	1 x E-Window slot (full-size PCIe Mini slot with PCIe/mSATA/USB)
	Wireless	Wi-Fi and Bluetooth	IEEE 802.11 a/b/g/n/ac 2T2R module with Bluetooth V4.1 (M.2 2230 A-E key module)	IEEE 802.11a/b/g/n		IEEE 802.11 a/b/g/n/ac 1T1R module
Physical	Construction Material	ABS+PC plastic with antibacterial material	ABS+PC plastic with antibacterial material	ABS+PC plastic with antibacterial material	ABS+PC plastic with anti-bacterial material	ABS+PC plastic with anti-bacterial material
	Mounting	Wall, Stand and Arm VESA 75/100				
	Net Weight	6.0 kg	6.0 kg	6.2 kg	7.3 kg	7.5 Kg
	Dimensions (WxHxD) (mm)	435 x 376 x 65	428 x 350 x 76	470 x 383 x 79	543 x 350 x 52	595 x 380 x 61
Environment	Operating Temperature (°C)	0°C ~ 40°C				
	IP Level	IP65 compliant front panel	IP 64 compliant front panel		IP 65 compliant front panel	IP 65 compliant front panel
	Thermal Solution	Fanless	Smart Fan		Smart Fan	Fanless
Power	Power Requirement	12V~28V DC input	12V DC input		12V~28V DC input	12V~28V DC input
	Power Adapter	120W medical power adapter: Input: 90V~264V AC, Output: 19V DC	96W medical power adapter: Input: 90V~264V AC, Output: 12V DC		120W medical power adapter: Input: 90V~264V AC, Output: 19V DC	120W medical power adapter: Input: 90V~264V AC, Output: 19V DC
Certification		CE, FCC Class B part 18, ANSI / AAMI / ES60601-1 CAN/CSA-C22.2 No. 60601-1:14, IEC 60601-1-6/IEC62366, ISO 14971	CE, FCC class B part 18, UL 60601-1, EN 60601-1		CE, FCC Class B part 18, ANSI / AAMI / ES60601-1 CAN/CSA-C22.2 No. 60601-1:14, IEC 60601-1-6/IEC62366, ISO 14971	CE, FCC Class B part 18, ANSI / AAMI / ES60601-1 CAN/CSA-C22.2 No. 60601-1:14, IEC 60601-1-6/IEC62366, ISO 14971

Selection Guide



Series	POCm		BIS		
Model	POCm-W22C-ULT3	POCm-W24C-ULT3	BIS-W19C(F)-ULT4	IOVU-10F-AD-WB	
LCD Touch Specification	LCD Size (inch)	21.5"	23.8"	18.5"	10.1"
	Max. Resolution	1920 (W) x 1080 (H)		1366 (W) x 768 (H) / 1920 (W) x 1080 (H)	1280(W) x 800(H)
	Brightness (cd/m ²)	250		250 / 350	300
	Contrast Ratio	1000:1		1000:1	800:1
	LCD Color	16.7M		16.7M colors	262K
	Viewing Angle (H-V)	170°/160°	178°(H) / 178°(V)	170°/160°, 178°/178°	160°(H) / 160°(V)
	Touchscreen	Projected capacitive type with 10-point multi-touch		Projected capacitive type with 10-point multi-touch	Project Capacitive
System	CPU	6th Generation Intel® mobile ULT Core™ i7/i5/Celeron® processor		7th Generation Intel® mobile ULT Core™ i5/Celeron® processor	Freescala i.MX6 Cortex A9 Quad-Core 1.0GHz
	Memory	Two 260-pin 1600/1333MHz dual-channel DDR4 SODIMM, 4GB pre-installed (system max.32GB)		Two 260-pin 1600/1333MHz dual-channel DDR4 SODIMM, 4GB pre-installed (system max.32GB)	2GB DDR3 SDRAM
	I/O Ports	Bottom I/O 1 x DC Jack 2 x HDMI out 2 x GbE LAN port 2 x RS232/422/485 4 x USB 3.0 port 1 x RJ-11 for barcode module	Other 2 x USB 2.0 port (side) 1 x Audio out (side) + 1 x Mic in (side) 1 x Digital Mic (front, bottom)	Rear 1 x 1.5kV isolation COM port 1 x 12~28V DC Jack 1 x GbE LAN port 2 x USB 3.0 port Bottom 1 x RJ-11 for barcode scanner 1 x GbE LAN port 2 x USB 3.0 port 1 x HDMI output Side 1 x HDMI input (optional) 2 x USB 2.0 port 1 x Audio out 1 x Mic in	1 x 10/100/1000 Mbps w/ POE 2 x USB 2.0 1 x RS-232/422/485 (DB-9) 1 x RS-232 full function (DB-9) 1 x 13.56MHz 1 x DC jack 4 x GPIO 1 x Reset button 1 x SD slot (Hidden) 1 x Audio Jack (Mic+Speaker) 1 x MINI USB
	Storage	1 x 2.5" Accessible SATA HDD bay 2 x M-key M.2 2242/60/80 (PCIe+SATA) with RAID		1 x 2.5" SATA 6Gb/s HDD bay 1 x mSATA reserved (E-Window)	16G eMMC Nand Flash
	Audio	2 x 3W Speaker, digital microphone		2 x 3W Speaker, digital microphone	1 x 2W speaker
	LED	RFID indicator Battery indicator (color: blue/orange)		RFID indicator	1 x Power LED 1 x WiFi LED 1 x BT LED
	OSD Function	1 x System on/off 1 x Brightness down 1 x Brightness up 1 x Volume down 1 x Volume up 1 x LCD on/off and Touch lock for cleaning		1 x LCD on/off 1 x Brightness down 1 x Brightness up 1 x Volume down 1 x Volume up 1 x Touch lock (OSD lock included) Combinations: 1 x Auto-dimming on/off	--
	Auto-dimming	No		Yes	no
	Expansion	1 x E-Window slot (full-size PCIe Mini slot with PCIe/mSATA/USB)		1 x E-Window slot (full-size PCIe Mini slot with PCIe/mSATA/USB)	--
	Wireless	Wi-Fi and Bluetooth IEEE 802.11 a/b/g/n/ac 2T2R module with Bluetooth V4.1 (M.2 2230 A-E key module)		IEEE 802.11 a/b/g/n/ac 2T2R module with Bluetooth V4.1 (M.2 2230 A-E key module)	Wireless a/b/g/n/ac + BT 4.0 w/ BLE
Physical	Construction Material	ABS+PC plastic with anti-bacterial material		ABS + PC plastic with anti-bacterial material	Plastic front cover and metal rear cover
	Mounting	Wall, Stand and Arm VESA 75/100		Wall, Stand and Arm VESA 75/100	Panel, Wall, Stand, VESA Mount 75mmx75mm or 100mm x 100mm
	Net Weight	6.8 kg without battery		6.5 kg	0.88 kg
	Dimensions (WxHxD) (mm)	543 x 350 x 61	595 x 380 x 61	478.6 x 317.3 x 60.1	293 x 209.5 x 44.49
Environment	Operating Temperature (°C)	0°C~40°C		0°C ~ 40°C	0°C ~ 60°C
	IP Level	Front: IP65, Back: IP32 above		IP 65 compliant front panel	IP64 front panel only
	Thermal Solution	Fanless		Fanless	Fanless
Power	Power Requirement	12V~28V DC input		12~28V DC input	9~30V DC input
	Power Adapter	120W medical power adapter: Input: 100V~240V AC, Output: 12V DC		120W medical power adapter: Input: 90V~264V AC; Output: 19V DC	60W power adapter Input:115V~230V AC Output:12V DC
Certification	CE, FCC Class B part 18,ANSI/AAMI ES60601-1 CAN/CSA-C22.2 No. 60601-1:14,IEC 60601-1-6/IEC62366,ISO 14971		CE, FCC Class B part 18,ANSI/AAMI ES60601-1 CAN/CSA-C22.2 No. 60601-1:14,IEC 60601-1-6/IEC62366,ISO 14971	--	

Point-of-Care Terminal

POC-17C-ULT3 | 17" Medical Panel PC with 6th Generation Intel® mobile ULT Core™ i7/i5/Celeron processor

Features

- 17" 5:4 LED panel (1280 x 1024)
- 6th Generation Intel® mobile ULT Core™ i7-6600U / Core™ i5-6300U / Celeron® 3855U
- Projected capacitive type with 10-point multi-touch
- IP65 compliant front bezel
- Anti-bacteria cover
- RAID function supported (RAID 0 and RAID 1) (only for Core™ i5 or Core™ i7)



E-Window

• Built-in camera cover

The camera cover protects the privacy of patients. The built-in design also makes the maintenance more convenient, and prevents cover loss.



• RAID 0 and RAID 1 Function

The RAID 0/1 capability offers redundancy through mirroring - data is written identically to two drives. Users in the hospital will not need to worry about data lost anymore. (only for Core™ i5 or above)



• E-Window for Multiple Expansion

The reserved PCIe Mini slot for expansion helps system integrators add more functions easily without any additional cost efforts.



E-Window

• Front IP65 Compliance

Easy to clean when spray the detergent and wipe at the front

• Advanced Touchscreen for Saline

The PCAP touch not only supports multi-touch function but also provides smooth control when operating with gloves. Moreover, we cooperate with our suppliers to work hard on avoiding the accidental operating from sterile saline.



Specifications

Model		POC-17C-ULT3
LCD Specifications	LCD Display	17" (5:4)
	Max Resolution	1280 (W) x 1024 (H)
	Brightness (cd/m ²)	350
	Contrast Ratio	1000:1
	LCD Color	16.7M
	Pixel Pitch (mm)	0.264 (H) x 0.264 (V)
	Viewing Angle (H-V)	170° / 160°
	Backlight MTBF (hrs)	30000 (LED backlight)
Touch	Touchscreen	Projected capacitive type with 10-point multi-touch
	Surface Hardness	6H
System	CPU Support	6th Generation Intel® mobile ULT Core™ i7-6600U / Core™ i5-6300U / Celeron® 3855U
	RAM	Two 260-pin 1600/1333MHz dual-channel DDR4 SO-DIMM, 4GB pre-installed (system max.32GB)
	I/O Port	1 x RJ-11 for barcode module (1D/2D) 4 x USB 2.0 (2 for side) 4 x USB 3.0 port 1 x HDMI output 2 x GbE LAN port 1 x RS-232/422/485 1 x 12~28V DC jack
	Storage	2 x 2.5" SATA 6Gb/s accessible HDD bay with RAID 0,1 (RAID function only for Core™ i5 and Core i7™) 1 x mSATA (E-Window)
	Audio	2 x 2W speaker and digital microphone
	Webcam & Microphone	2-megapixel CMOS front-facing camera with auto-focus and digital microphone
	Expansion	1 x E-Window slot (full-size PCIe Mini slot with PCIe/mSATA/USB)
	Other Features	Function Key
Auto-dimming		Yes
Thermal		Fanless
Connectivity	Wi-Fi and Bluetooth	IEEE 802.11 a/b/g/n/ac 2T2R module with Bluetooth V4.1 (M.2 2230 A-E key module)
Physical	Construction Material	ABS+PC plastic with anti-bacterial material pantone RAL 9016 (apple white)
	Mounting	Wall, Stand and Arm VESA 100/75
	Net Weight	6.0 Kg
	Dimensions (WxHxD) (mm)	435 x 376 x 64.5
Environment	Operating Temperature	0°C ~4 0°C
	Storage Temperature	-20°C ~ 65°C
	Humidity	10% to 95% (non-condensing)
	Vibration	1G
	Shock	Operating Shock: 5G peak acceleration (11ms duration) Non-Operating Shock: 15G peak acceleration (11ms duration)
	IP Level	IP65 compliant front panel
Power	Power Input	12V~28V DC input
	Power Adapter	120W medical power adapter: Input: 90V~264V AC, Output: 19V DC
Certification		CE, FCC Class B part 18,ANSI/AAMI ES60601-1 CAN/CSA-C22.2 No. 60601-1:14,IEC 60601-1-6/IEC62366,ISO 14971

Ordering Information

Part No.	Description
POC-17C-ULT3-C/PC/4G-R10	17" 350 cd/m ² 1280x1024 Panel PC with 6th generation 14nm Intel® mobile Celeron® 3855U (15W) 1.6GHz on-board processor (ULT), one 4GB DDR4 RAM, 802.11a/b/g/n/ac Wi-Fi module, PCAP touchscreen, 2-megapixel camera, microphone, R10
POC-17C-ULT3-i5/PC/4G-R10	17" 350 cd/m ² 1280x1024 Panel PC with 6th generation 14nm Intel® mobile Core™ i5-6300U (15W) 2.4GHz on-board processor (ULT), one 4GB DDR4 RAM, 802.11a/b/g/n/ac Wi-Fi module, PCAP touchscreen, 2-megapixel camera, microphone, R10
POC-17C-ULT3-i7/PC/4G-R10	17" 350 cd/m ² 1280x1024 Panel PC with 6th generation 14nm Intel® mobile Core™ i7-6600U (15W) 2.6GHz on-board processor (ULT), one 4GB DDR4 RAM, 802.11a/b/g/n/ac Wi-Fi module, PCAP touchscreen, 2-megapixel camera, microphone, R10

Options

Number	Description
MEDP-HS-R10	USB interface VoIP phone and its holder, white
MEDP-CR-R10	Magnetic card reader/Smart card reader/Fingerprint sensor, white
MEDP-HD-R10	Metal handle covered with soft rubber
MEDP-HD-BR-R10	Metal handle covered with soft rubber, with barcode reader and reading light, white
MEDP-MF-RFID-02-R10	Mifare RFID reader, 13.56MHz, with LED indicator and 100mm antenna, IEI assembly only
MEDP-TPM-02-R10	Trusted platform module kit with 300mm cable, IEI assembly only
MEDP-EZS-R10	VESA 100 x 100 mm panel PC stand with a cable management hole, white
POC-17C-ULT3-W10E64-V-R10	OS Image with Windows Embedded Standard 10 E Value 64-bit for POC-17C/W24C Series, with DVD-ROM, RoHS

IQ Mounting Options

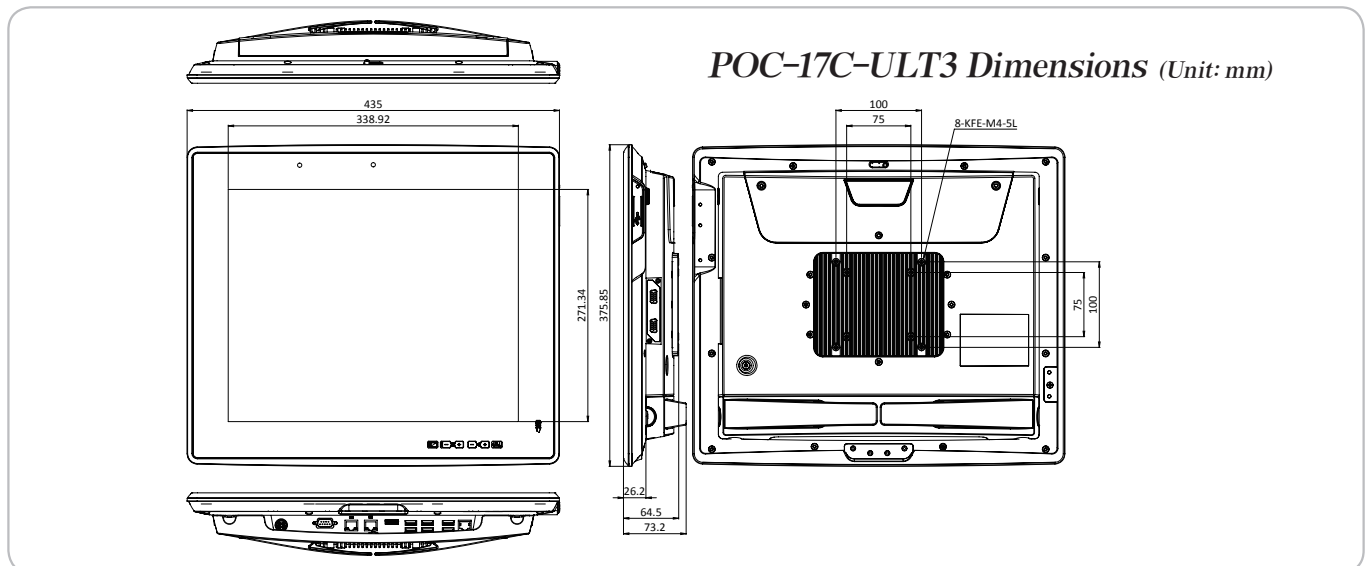
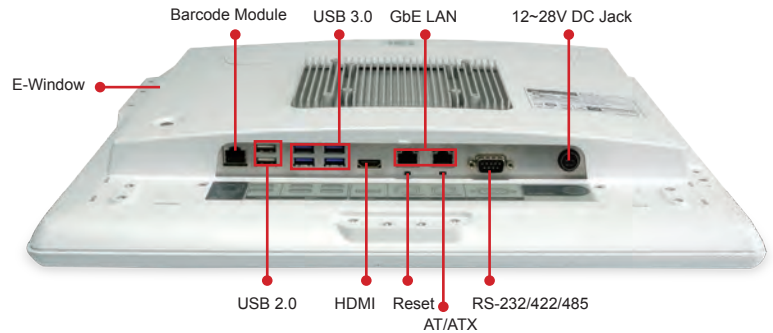
Item	Part No.
Wall Mount Kit	AFLWK-19B
Arm	ARM-31-RS
Stand	STAND-300SW-RS/STAND-A21-R10

Packing List

Item	Part No.	Q'ty	Description
Utility CD		1	Drivers and User Manual
Power Adapter	63040-580120-000-RS	1	120W medical power adapter: Input: 90V~264V AC, Output: 19 V DC
Power Cord		1	European power cords, 183 CM, C13



I/O Interface



Point-of-Care Terminal

- POC-17i-HM55** | 17" Medical Panel PC features Intel® Core™ i7/i5/i3 mobile processor with Intel® HM55 chipset
- POC-19i-HM55** | 19" Medical Panel PC features Intel® Core™ i7/i5/i3 mobile processor with Intel® HM55 chipset

Features

- 17"~19" multi-functional panel PC with touchscreen
- Powered by high-performance Intel® mobile Core™ i7/ i5/ i3 CPU with Intel® HM55 chipset
- System memory supports DDR3 SDRAM SO-DIMM up to 8 GB
- HDMI interface provides second display with vivid image quality
- 802.11a/b/g/n high speed wireless
- Dual gigabit Ethernet



Specifications

Model		POC-17i	POC-19i
LCD Touch Specification	LCD Size (inch)	17"	19"
	Max. Resolution	1280 (W) x 1024 (H)	
	Brightness (cd/m²)	350	350
	Contrast Ratio	800:1	1000:1
	LCD Color	16.7M	
	Viewing Angle (H-V)	170°/160°	
	Touchscreen	5-wire resistive type	
System	CPU	Intel® mobile Core™ i7/i5/i3 CPU with Intel® HM55 chipset	
	Chipset	Intel® HM55	
	Memory	Two 204-pin 800/1066 MHz DDR3 dual-channel SO-DIMM (system max. 8GB)	
	I/O Ports	1 x RS-232 by DB-9 2 x GbE LAN by RJ-45 1 x HDMI port 1 x VGA port by DB-15 1 x Power switch	1 x RS-232 or RS-422/485 by DB-9 4 x USB connector 1 x Audio jack (line-out) 1 x Reset button 1 x Power jack
	Drive Bay	1 x 2.5" SATA HDD bay for SATA storage devices	
	Audio	AMP 3W + 3W (internal speaker)	
	LED Function	One power on/off LED on front panel	
	OSD Function	Five buttons (LCD on/off, Light +/-, Audio +/-)	
Wireless	Wi-Fi	802.11a/b/g/n	
Physical	Construction Material	Anti-bacteria plastic front frame	
	Mounting	Panel, Wall, Rack, Stand and Arm VESA 100 mm x 100 mm	Panel, Wall, Stand and Arm VESA 100 mm x 100 mm
	Net Weight	6.0 kg	6.2 kg
	Dimensions (WxHxD) (mm)	428 x 350 x 76	470 x 383 x 79
Environment	Operating Temperature (°C)	0°C~40°C	
	IP Level	IP 64 compliant front panel	
Power	Power Requirement	12V DC input	
	Power Adapter	96W medical power adapter: Input: 90V~264V AC; Output: 12V DC	
Certification	CE, FCC class B part 18, UL 60601-1, EN 60601-1		

Ordering Information

Part No.	Description	
17"	POC-17i-i7/2G/320G-R10	17" Medical Panel PC, with Core™ i7-620M 2.66GHz, 2 GB DDR3 RAM, 320 GB HDD, wireless 802.11a/b/g/n, touchscreen, power adapter, RoHS
	POC-17i-i5/2G/320G-R10	17" Medical Panel PC, with Core™ i5-520M 2.4GHz, 2 GB DDR3 RAM, 320 GB HDD, wireless 802.11a/b/g/n, touchscreen, power adapter, RoHS
	POC-17i-i3/2G/320G-R10	17" Medical Panel PC, with Core™ i3-350M 2.26GHz, 2 GB DDR3 RAM, 320 GB HDD, wireless 802.11a/b/g/n, touchscreen, power adapter, RoHS
19"	POC-19i-i7/2G/320G-R10	19" Medical Panel PC, with Core™ i7-620M 2.66GHz, 2 GB DDR3 RAM, 320 GB HDD, wireless 802.11a/b/g/n, touchscreen, power adapter, RoHS
	POC-19i-i5/2G/320G-R10	19" Medical Panel PC, with Core™ i5-520M 2.4GHz, 2 GB DDR3 RAM, 320 GB HDD, wireless 802.11a/b/g/n, touchscreen, power adapter, RoHS
	POC-19i-i3/2G/320G-R10	19" Medical Panel PC, with Core™ i3-350M 2.26GHz, 2 GB DDR3 RAM, 320 GB HDD, wireless 802.11a/b/g/n, touchscreen, power adapter, RoHS

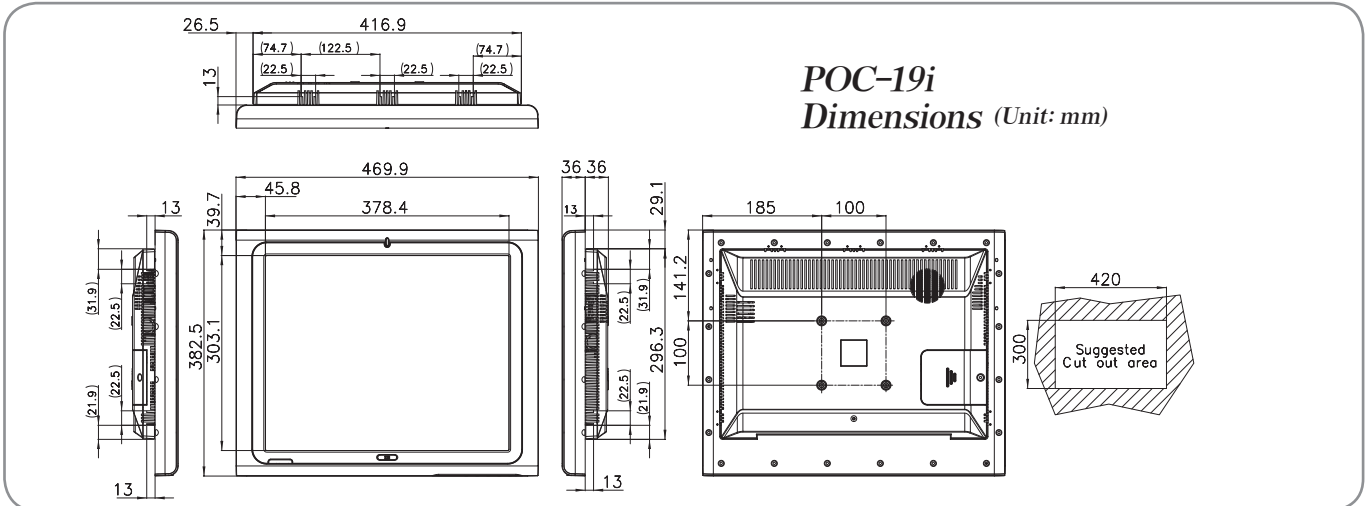
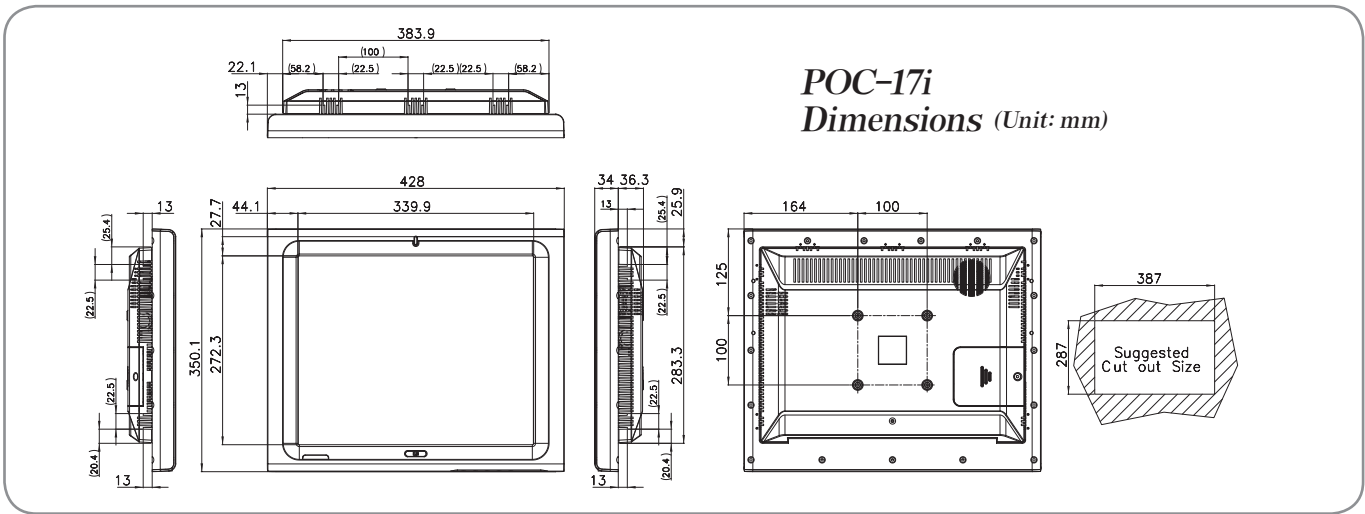
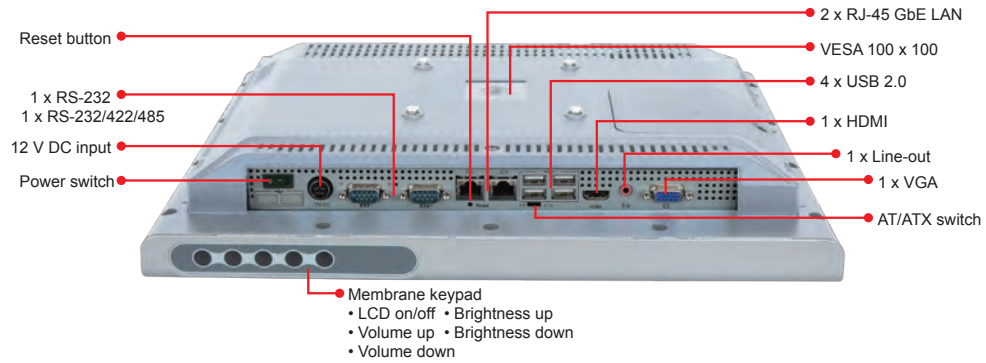
IQ Mounting Options

Item	Part No.
Wall Mount Kit	AFLWK-19B
Arm	ARM-11-RS, ARM-31-RS
Stand	STAND-A19, STAND-A21-R10

Packing List

Item	Part No.	Q'ty	Description
Utility CD	7B000-000773-RS	1	Drivers and User Manual
Power Adapter	63040-010096-030-RS	1	PMP120-12-S; 90~264VAC Input ; 96W; 12VDC output
Power Cord	32000-000002-RS	1	European, 1830mm
Pen	43125-0002C0-00-RS	1	For Resistive Touch

I/O Interface



Point-of-Care Terminal

POC-W22A-H81

22" Medical Panel PC with Intel® desktop Core™ i5/i3/
Pentium® Processor

Features

- 22" 16:9 LED panel with FHD (1920 x 1080)
- 4th generation Intel® Core™ i5/i3/Pentium® CPU
- Projected capacitive touchscreen supports multi-touch
- IP65 compliant front bezel
- Anti-bacteria cover
- Optional 3-in-1 card reader: MSR, SCR and fingerprint
- Optional Mifare RFID module
- Optional internal 54W battery module
- Optional VoIP phone handset
- Optional handle module with barcode scanner and reading light



Slim Design with Multiple Expansion Capabilities and Remote Control Technology

The POC-W22A-H81 is a medical panel PC featuring IoT, and can be used as a bed-side terminal or a medical cart computer developed to completely meet users' needs and ergonomics. With the help of the IEI Remote Intelligent System (IRIS) technology, it is more convenient to manage, monitor and maintain the POC-W22A-H81 remotely. In addition, the light and slim design changes people's perception of the medical panel PC which is usually bulky and without any functional compromise.

• An Optional Built-in IEI IRIS Module

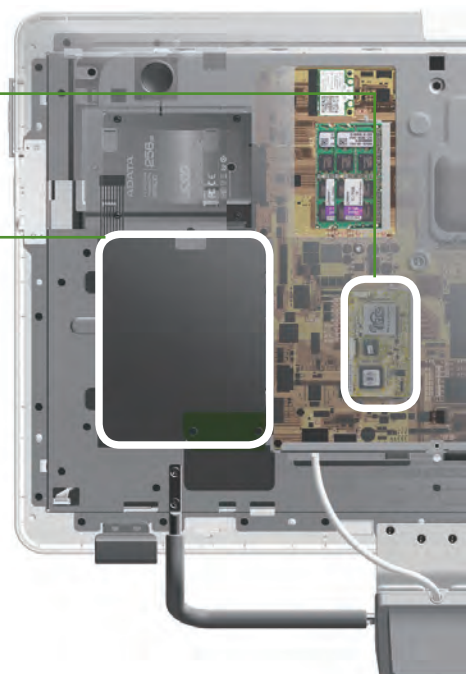
The IRIS technology provides remote control and monitoring features, which helps to reduce maintenance cost and to increase working efficiency in hospitals.

• An Optional Built-in Battery Module

The 54 W battery provides back-up power for up to 30 minutes in case of a power interruption. This feature offers protection against disruption of critical business operations or loss of data.

• Multiple Internal Expansion Capability

With the magnetic mechanism and the screw-less chassis design, it is easy to disassemble and replace the memory, fan, HDD and PCIe Mini card, making the upgrade and maintenance process become efficient and simple.



• Customized Internal Expansion Capability

The peripheral interface on the side panel can be customized according to users' needs by installing different types of PCIe Mini cards.

Rich External Expansion Module Suitable for Every Customized Environment

Multiple external expansion modules make the POC-W22A-H81 meet every customer's needs.



● 3-in-1 Combo Card Reader

The 3-in-1 card reader that supports IC cards, magnetic cards and fingerprint eliminates unnecessary cables, and does not occupy any USB port on the I/O interface at the bottom of the POC-W22A-H81.

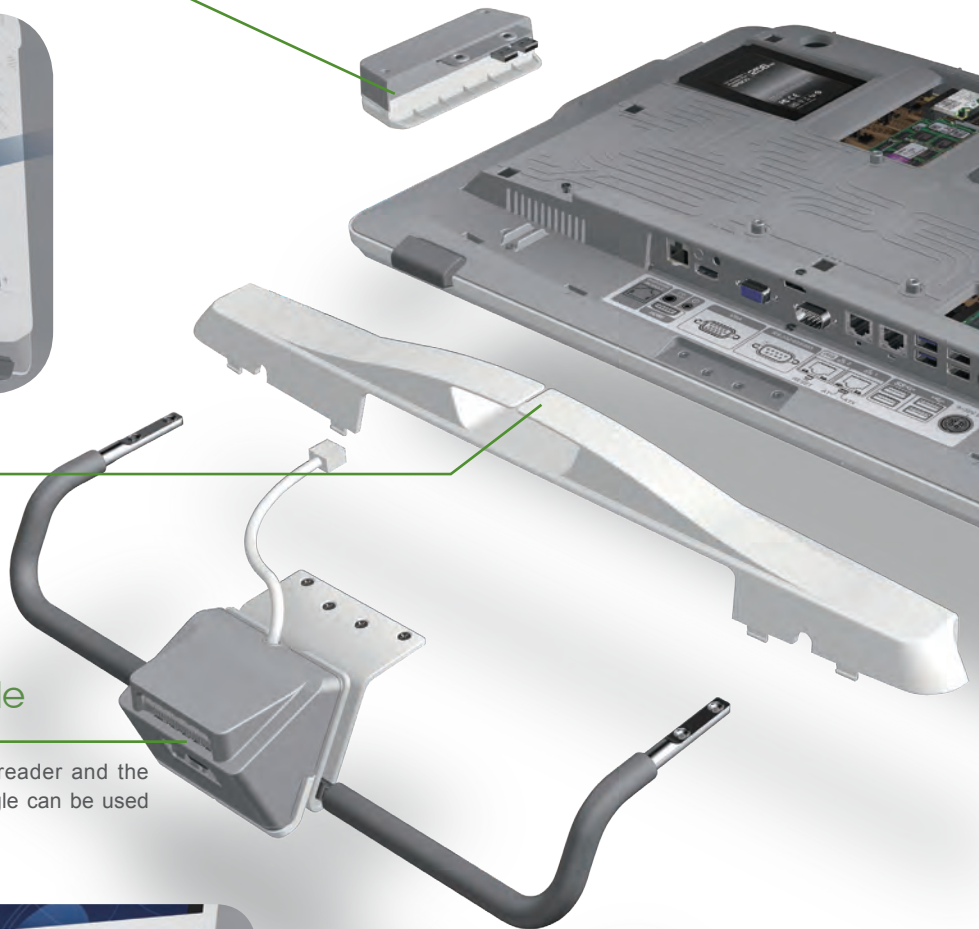
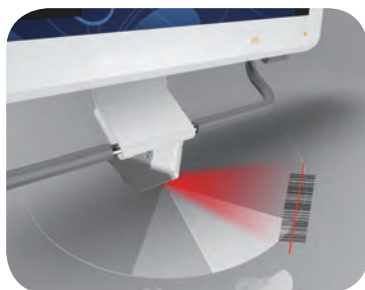


● Hug Style Cable Cover

Users can easily manage all the cables from the I/O ports, making it look fresh and allowing easier cleaning.

● Handle Module with Barcode Reader and Reading Light

Users can move panel PC easily. The barcode reader and the reading light module with adjustable operating angle can be used for multiple purposes.



- EZ Stand

The EZ stand which combines a cable management hole and slim outlook is designed for desk-based environments.



A System with Care—Simple and Light, yet Powerful!

Through the minus design thinking, the design concept of the medical panel PC becomes pure and simple, making the POC-W22A-H81 look slim. Through the plus design thinking, the design concept of the external expansion capability becomes more flexible and much fit the customized requirements.

- Smooth Curves at the Back

The smooth curves perfectly shape the air vents and make users feel warm.

- Slim and Comfortable Sense of Touch

Slim and comfortable sense of touch makes users feel good while using it, and the clinician's view will not be blocked when moving the medical cart.



- Reserved Screw Holes for Customized Projects

Reserved screw holes for multiple modules, such as handset or sphygmomanometer, allow for customized installation capability.

- Privacy Cover for Webcam

The webcam cover protects the privacy of patients



Pay High Attention to Users' Experiences and Integrate All the Suggestions from Industry-academic Cooperation

Intensive cooperation with the Chang Gung University School of Nursing and the professional medical centers' personnel at the beginning stage of development makes the product 100% ideal for users' requirements. Implement the innovative design thinking activity to develop unique product features and to improve product functions.

● Reduce the Occupation on the Desk of the Medical Cart

Integrating various modules into one entity saves more desk space of the medical cart and provides a convenient using environment.

● Easy Using

With the stable handle, users can easily adjust the using angle and the position of the POC-W22A-H81. This feature greatly reduces the effort required using two hands to move the system.

● Reading Light Support

The built-in reading light on the handle module provides lighting for a small area in a dark environment without bothering patients.

● Adjustable-angle Barcode Reader

The barcode reader on the handle module supports angle adjustment, with which users can scan the objects conveniently without moving the entire panel PC.



1. Bedside Infotainment

The highly-integrated POC-W22A-H81 can save time on cable-managing process. Its optional accessories also make the healthcare environment become more flexible and friendly.

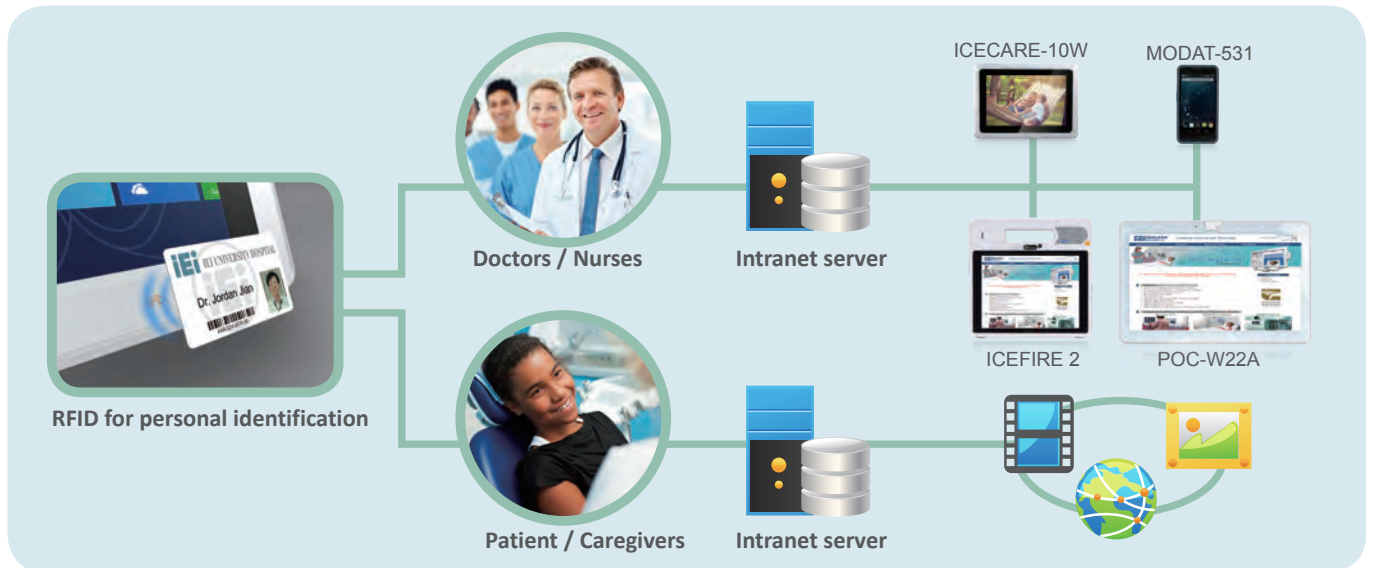


Through RFID, 3-in-1 card reader and Wi-Fi connection, doctors and nurses can log-in to the hospital information system to input medical checkup results, and to check the dosing records and other healthcare information. Nurses can also use barcode reader to collect relative information in the healthcare environment to eliminate human errors.



With the hospital system integrated, patients can check their medication records on the POC-W22A-H81 via RFID and the barcode reader. Through the Wi-Fi connection, patients can have their entertainment time as well. In addition, the multiple-fixed handle module offers great convenience to users so that they can adjust the using angle by just using a finger.

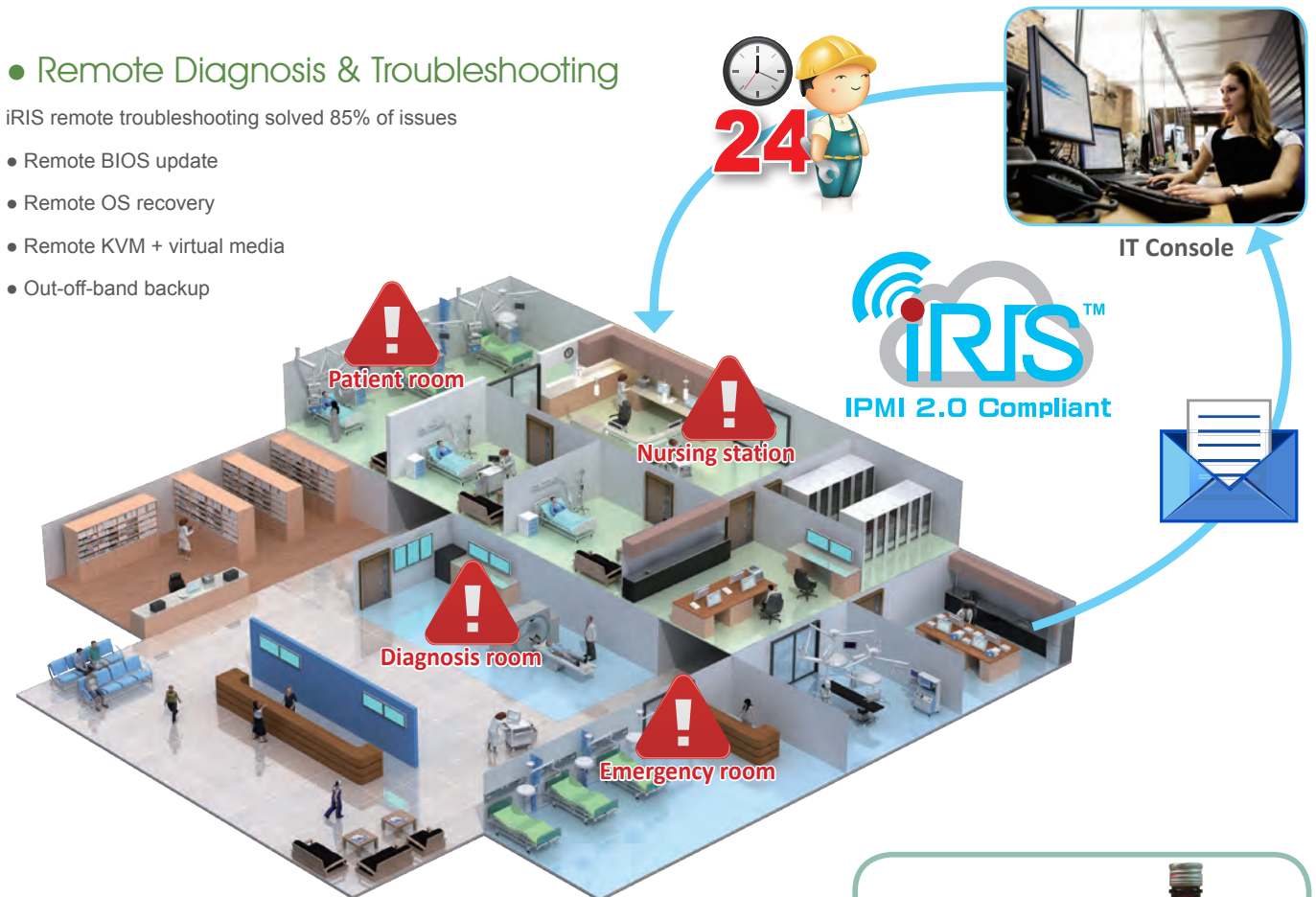
With various kinds of sensors (e.g. RFID and smart card reader), the IT personnel in hospitals can separate different loggers to different login path for data accessing. This application increases the safety of the data protection.



Remote Diagnosis & Troubleshooting

iRIS remote troubleshooting solved 85% of issues

- Remote BIOS update
- Remote OS recovery
- Remote KVM + virtual media
- Out-off-band backup



The light, slim and smooth curves design with no inaccessible corners brings conveniences for the cleaning personnel and increases cleaning efficiency.



2. Nursing Cart Computer



Through RFID, 3-in-1 card reader and Wi-Fi connection, doctors and nurses can log-in to the hospital information system to input medical checkup results, and to check the dosing records and other healthcare information. Nurses can also use barcode reader to collect relative information in the healthcare environment to eliminate human errors.



Checking dosing information and recording the patient-care information usually happen hundreds of times in a nurse's daily work. If these repeated processes can be improved to make it friendlier, the working efficiency and convenience of the stressful nurses will be greatly increased. The handle module is integrated with a barcode reader and a reading light located near the working area instead of the side of the device, offering a great convenience for the repetitive work.



The PCAP touch helps nurses operate the devices like using their mobile phone. Nurses who wear the latex gloves can operate the user interface easily during their daily routine.



The light, slim and smooth curves design with no inaccessible corners brings conveniences for the cleaning personnel and increases cleaning efficiency.

3. Applications



Operating room



Pharmacy counter



Dialysis lab



Examination center

Specifications

Model		POC-W22A-H81	
LCD Specifications	LCD Display	21.5" (16:9)	
	Max Resolution	1920 (W) x 1080 (H)	
	Brightness (cd/m ²)	250	
	Contrast Ratio	1000 : 1	
	LCD Color	16.7M colors (RGB 6-bit)	
	Pixel Pitch (mm)	0.24825 (H) x 0.24825 (V)	
	Viewing Angle (H-V)	170°/160°	
	Backlight MTBF (hrs)	30000 (LED backlight)	
Touch	Touchscreen	Projected capacitive type with 10-point multi-touch	
	Touch Controller	EETI: EXC3188	
	Surface Hardness	6H	
System	CPU Support	Intel® desktop Core™ i7/i5/i3/Pentium®/Celeron® CPU with Intel® H81 chipset (Up to TDP 35W CPU)	
	Chipset	Intel® H81	
	RAM	Two 204-pin 1600/1333MHz dual-channel DDR3 SDRAM, 4GB pre-installed (system max. 16GB)	
	I/O Port	1 x RS-232/422/485 2 x GbE LAN by RJ-45 (1 for iRIS) 1 x Power button 1 x VGA output	1 x HDMI output 1 x 12V~28V DC Jack 2 x USB 3.0 4 x USB 2.0 (2 on bottom and 2 on side) 1 x RJ-11 for barcode module
	Storage	1 x 2.5" SATA HDD bay	
	Audio	2 x 3W speaker	
	Webcam & Microphone	2-megapixel CMOS front-facing camera with auto-focus and digital microphone	
	Expansion Interface	1 x PCIe Mini for Wi-Fi module, 1 x PCIe Mini reserved	
	LED Indicator	2-light battery status LED, RFID indicator LED	
	Other Features	MIFARE RFID	Optional: MIFARE 13.56 MHz card reader
Function Key		1 x LCD on/off 1 x Brightness up 1 x Brightness down 1 x Volume up 1 x Volume down 1 x Touch lock button for cleaning	Combinations: 1 x Lock/Unlock OSD 1 x Power on/off
Light Sensor		Ambient light sensor for panel brightness adjustment	
Battery		Optional built-in 54W battery pack (30 mins)	
Remote Monitoring		1 x iRIS-2400 slot (iRIS remote management model)	
Cooling Method		Smart Fan	
Connectivity		Wi-Fi and Bluetooth	
Physical	Construction Material	ABS+PC plastic with anti-bacterial material	
	Mounting	Wall, Stand and Arm VESA 100mm x 100mm	
	Net Weight	7.3 kg	
	Dimensions (WxHxD)	542.5 mm x 349.5 mm x 52 mm	
Environment	Operating Temperature	0°C~40°C	
	Storage Temperature	-20°C~60°C	
	Humidity	10% to 95% (non-condensing)	
	Vibration	1G	
	Shock	Operating Shock: 5G peak acceleration (11ms duration) Non-Operating Shock: 15G peak acceleration (11ms duration)	
	IP Level	IP65 compliant front panel	
Power	Power Input	12V~28V DC input	
	Power Adapter	120W medical power adapter: Input: 100V~240V AC; Output: 19V DC	
Certificationa	<ul style="list-style-type: none"> • 47 CFR FCC Part 18 Class B, Subpart C • EN 60601-1-2:2007 + AC:2010 • CE (EN60601-1:2006+A11:2011+A1:2013+A12:2014; IEC 60601-1:2005 + CORR.1:2006 + CORR.2:2007 + AM1:2012) • ANSI/AAMI ES60601-1 (2005/(R)2012 + A1:2012, C1:2009/(R)2012 + A2:2010/(R)2012) • CAN/CSA-C22.2 NO.60601-1:14 • ISO 14971: 2007 • R.E.D 		

Ordering Information

Part No.	Description
POC-W22A-H81i-P/PC/4G-R12	21.5" 250cd/m ² FHD medical panel PC with Intel® H81 chipset, Intel® Pentium® G3320TE processor (dual core, 2.3 GHz, TDP 35W), two 2 GB DDR3 RAM, 802.11a/b/g/n/ac Wi-Fi module, projected capacitive touchscreen, 2M camera, microphone, support iRIS-2400, R12
POC-W22A-H81i-i3/PC/4G-R12	21.5" 250cd/m ² FHD medical panel PC with Intel® H81 chipset, Intel® Core™ i3-4330TE processor (dual core, 2.4 GHz, TDP 35W), two 2 GB DDR3 RAM, 802.11a/b/g/n/ac Wi-Fi module, projected capacitive touchscreen, 2M camera, microphone, support iRIS-2400, R12
POC-W22A-H81i-i5/PC/4G-R12	21.5" 250cd/m ² FHD medical panel PC with Intel® H81 chipset, Intel® Core™ i5-4570TE processor (dual core, 2.7 GHz, TDP 35W), two 2 GB DDR3 RAM, 802.11a/b/g/n/ac Wi-Fi module, projected capacitive touchscreen, 2M camera, microphone, support iRIS-2400, R12

Options

Number	Description
MEDP-HS-R10	USB interface VoIP phone and its holder, white
MEDP-CR-R10	Magnetic card reader/Smart card reader/Fingerprint sensor, white
MEDP-HD-R10	Metal handle covered with soft rubber
MEDP-HD-BR-R10	Metal handle covered with soft rubber, with barcode reader and reading light, White
MEDP-MF-RFID-R10	MIFARE RFID reader, 13.56MHz, with LED indicator, IEI assembly only
MEDP-TPM-R10	Trusted platform module kit, IEI assembly only
MEDP-BAT-R10	Li-Ion Battery, 3700mAh; Charging Voltage: above 16.8V; with LED indicator, IEI assembly only; RoHS
MEDP-EZS-R10	VESA 100 x 100 mm panel PC stand with a cable management hole, white
iRIS-2400-R10	IPMI 2.0 adapter card with AST2400 BMC chip for DDR3 SO-DIMM socket interface
POCP-CC01-R10	POC-W22A-H81 cable cover, white, plastic, R10
POC-W22A-H81-WES7P64-R10	OS Image with 64bit Windows Embedded Standard 7 P for POC-W22A-H81 Series, with DVD-ROM
POC-W22A-H81-WE8S64-R10	OS Image with 64bit Windows Embedded Standard 8 for POC-W22A-H81 Series, with DVD-ROM

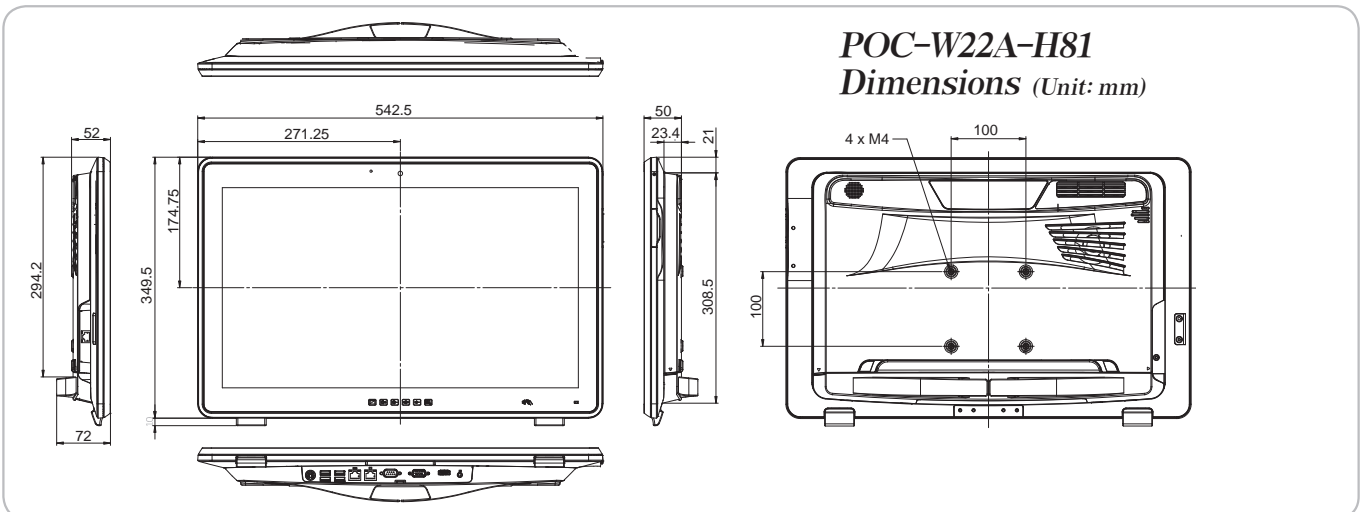
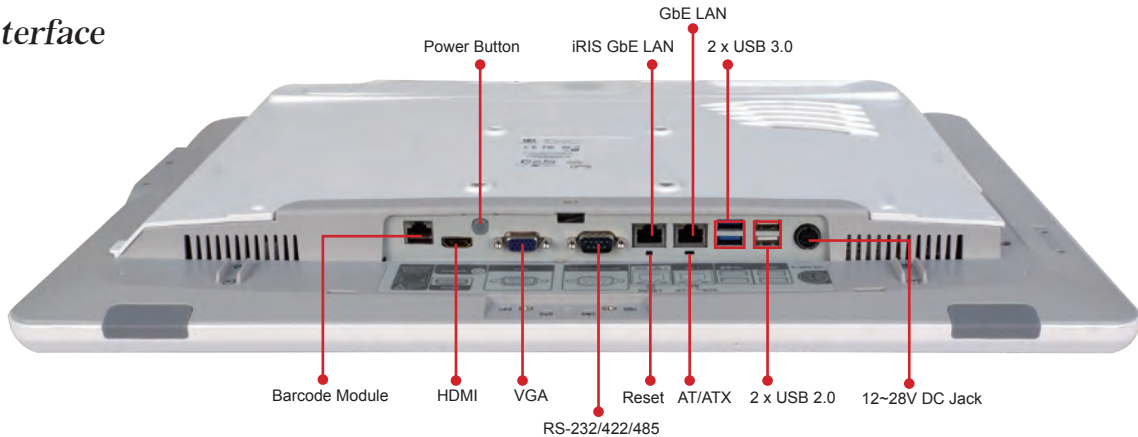
IQ Mounting Options

Item	Part No.
Wall Mount Kit	AFLWK-19B
Arm	ARM-31-RS
Stand	STAND-300SW-RS/STAND-A21-R10

Packing List

Item	Part No.	Q'ty	Description
Utility CD	7B000-001137-RS	1	Drivers and User Manual
Power Adapter	63040-010120-010-RS	1	120W medical power adapter: Input: 100V~240V AC, Output: 19 V DC
Power Cord	32702-000200-100-RS	1	European power cords, 183 CM, C13

I/O Interface



Point-of-Care Terminal

POC-W24C-ULT3

24" Medical Panel PC with 6th Generation Intel® mobile ULT Core™ i7/i5/Celeron® processor

Features

- 24" fanless FHD medical grade panel PC
- Intel® Core™ i5-6300U (Skylake) processor
- PCAP touch allows multi-touch, multi-layer gloves and water on screen operation
- Anti-bacteria housing with IP65 front bezel and IP32 rear cover protection
- E-Window expansion slot



E-Window

Specifications

Model		POC-W24C-ULT3	
LCD Specifications	LCD Display	24"	
	Max Resolution	1920 (W) x 1080 (H)	
	Brightness (cd/m ²)	250	
	Contrast Ratio	1000:1	
	LCD Color	16.7M colors (RGB 6-bit + HI_FRC)	
	Pixel Pitch (mm)	0.2745 (H) x 0.2745 (V)	
	Viewing Angle (H-V)	178°(H) / 178°(V)	
	Backlight MTBF (hrs)	30000 (LED backlight)	
Touch	Touchscreen	Projected capacitive type with 10-point multi-touch	
	Surface Hardness	6H	
System	CPU Support	6th generation Intel® mobile ULT Core™ i7-6600U / Core™ i5-6300U /Celeron® 3855U 7th generation Intel® mobile ULT Kaby Lake on-board SoC (by project base)	
	RAM	Two 260-pin 1600/1333MHz dual-channel DDR4 SO-DIMM, 4GB pre-installed (system max. 32GB)	
	I/O Port	1 x RJ-11 for 1D/2D barcode reader	2 x GbE LAN port
		4 x USB 2.0 (2 on the side)	1 x RS-232/422/485
		4 x USB 3.0 port	1 x 12~28V DC jack
		1 x HDMI output	
	Storage	1 x 2.5" SATA 6Gb/s HDD bay 1 x mSATA (E-Window)	
	Audio	2 x 3W Speaker	
Webcam & Microphone	5-megapixel CMOS front-facing camera with auto-focus and digital microphone		
Expansion Interface	1 x PCIe Mini reserved for E-Window expansion		
Other Features	LED Indicator	RFID indicator	
	Function Key	1 x LCD on/off	Combinations:
		1 x Brightness up	1 x Lock/Unlock OSD
		1 x Brightness down	1 x Power on/off
1 x Volume up			
1 x Volume down			
Light Sensor	Ambient light sensor for panel brightness adjustment		
Cooling Method	Fan-less		
Connectivity	Wi-Fi and Bluetooth	IEEE 802.11 a/b/g/n/ac 2T2R module with Bluetooth V4.1 (M.2 2230 A-E key module)	
Physical	Construction Material	ABS+PC plastic with anti-bacterial material	
	Mounting	Wall, Stand and Arm VESA 100/75	
	Net Weight	7.5 Kg	
	Dimensions (WxHxD) (mm)	594.6 x 379.6 x 60.68mm	
Environment	Operating Temperature	0°C~40°C	
	Storage Temperature	-20°C~60°C	
	Humidity	10% to 95% (non-condensing)	
	Vibration	1G	
	Shock	Operating Shock: 5G peak acceleration (11ms duration)	
		Non-Operating Shock: 15G peak acceleration (11ms duration)	
IP Level	IP65 compliant front panel		
Power	Power Input	12V~28V DC input	
	Power Adapter	120W medical power adapter: Input: 90V~264V AC, Output: 19V DC	
Certification		CE, FCC Class B part 18,ANSI/AAMI ES60601-1 CAN/CSA-C22.2 No. 60601-1-14,IEC 60601-1-6/IEC62366,ISO 14971	

Ordering Information

Part No.	Description
POC-W24C-ULT3-C/PC/4G-R10	24" 250cd/m ² 1920 x 1080 panel PC with 6th generation 14nm Intel® mobile Celeron™ 3855U (15W) on-board processor (ULT), one 4GB DDR4 RAM, 802.11 a/b/g/n/ac WiFi module, PCAP touchscreen, 5-megapixel camera, microphone, R10
POC-W24C-ULT3-I5/PC/4G-R10	24" 250 cd/m ² 1920 x 1080 panel PC with 6th generation 14nm Intel® mobile Core™ i5-6300U (15W) on-board processor (ULT), one 4GB DDR4 RAM, 802.11a/b/g/n/ac WiFi module, PCAP touchscreen, 5-megapixel camera, microphone, R10
POC-W24C-ULT3-I7/PC/4G-R10	24" 250 cd/m ² 1920 x 1080 panel PC with 7th generation 14nm Intel® mobile Core™ i7-6600U (15W) on-board processor (ULT), one 4GB DDR4 RAM, 802.11a/b/g/n/ac WiFi module, PCAP touchscreen, 5-megapixel camera, microphone, R10

Options

Part Number	Description
MEDP-HS-R10	USB interface VoIP phone and its holder, white
MEDP-CR-R10	Magnetic card reader/Smart card reader/Fingerprint sensor, white
MEDP-HD-R10	Metal handle covered with soft rubber
MEDP-HD-BR-R10	Metal handle covered with soft rubber, with barcode reader and reading light, white
MEDP-MF-RFID-03-R10	Mifare RFID reader, 13.56MHz, with LED indicator,200mm antenna,RFID & LED cable, IEI assembly only
MEDP-TPM-03-R10	Trusted platform module kit with 150mm cable, IEI assembly only
MEDP-EZS-R10	VESA 100 x 100 mm panel PC stand with a cable management hole, white
POC-17C-ULT3-W10E64-V-R10	OS Image with Windows Embedded Standard 10 E Value 64-bit for POC-17C/W24C Series, with DVD-ROM, RoHS
POCP-CC02-R10	POC-W24C-ULT cable cover,white, rimmed steel,R10

IQ Mounting Options

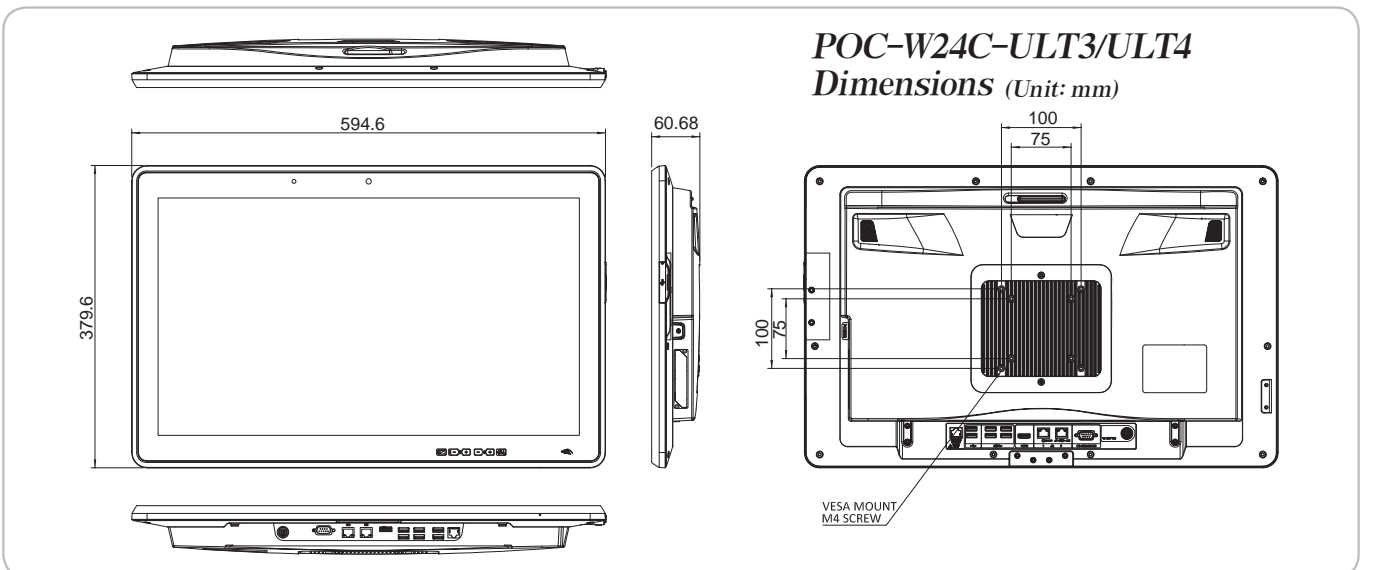
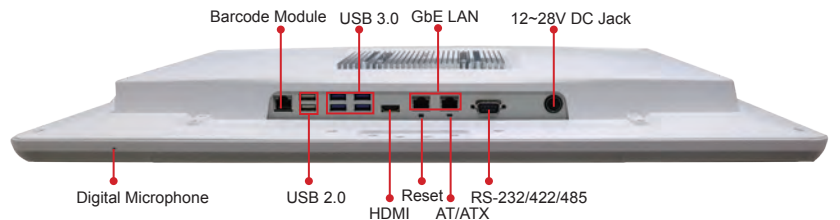
Item	Part No.
Wall Mount Kit	AFLWK-19B
Arm	ARM-31-RS
Stand	STAND-300SW-RS/STAND-A21-R10

Packing List

Item	Part No.	Q'ty	Description
Utility CD		1	Drivers and User Manual
Power Adapter	63040-580120-000-RS	1	120W medical power adapter: Input: 90V~264V AC, Output: 19 V DC
Power Cord		1	European power cords, 183 CM, C13



I/O Interface



Mobile Point-of-Care Terminal

POCm-W22C-ULT3 | 22" Medical Panel PC with 6th Generation Intel® mobile ULT Core™ i7/i5/Celeron® processor

POCm-W24C-ULT3 | 24" Medical Panel PC with 6th Generation Intel® mobile ULT Core™ i7/i5/Celeron® processor

Features

- 22" and 24" FHD fanless panel PC
- Intel® Celeron®, Core™ i5/i7 Skylake processor
- PCAP touch allows multi-touch, multi-layer gloves and water-on-screen operation
- Anti-bacteria housing with IP65 front bezel and IP32 rear cover protection
- Three hot-swappable batteries with a total runtime of 8 hours is ideal for non-powered medical carts



Key Features

POCm series medical panel PC features Intel® Core™ i7/i5/Celeron® processor. Three hot-swappable batteries with optional battery charger design and a total runtime of 8 hours is ideal for non-powered medical carts.



Lightweight Design

Traditionally, the battery of working station is bulky and occupies space. The hot-swappable batteries makes POCm series an ideal medical cart computer for decreasing the total weight up to 5 kg.

LiFePO4 6.5kg!

V.S

3 pcs Lithium-ion 1.38kg

5 kg reduction

Highly Integration

POCm series product is a highly integrated PPC. When building a mobile working station, the easy installation steps prevent you from facing the trouble of integrating different components and messy cabling.



Cost Effective

The typical price range of nursing cart battery is more than USD 600 (after service included). Our anti-bacteria battery saves more than USD 400 cost. Charging dock design meets the need of medical context and relieves the waste of time and efforts going back and forth between nursing station and ward.



Specifications

	Model	POCm-W22C-ULT3	POCm-W24C-ULT3
LCD Specifications	LCD Display	21.5" (16:9)	23.8"
	Max Resolution	1920 (W) x 1080 (H)	1920 (W) x 1080 (H)
	Brightness (cd/m ²)	250	250
	Contrast Ratio	1000:1	1000:1
	LCD Color	16.7M colors (RGB 6-bit)	16.7M colors (RGB 6-bit)
	Pixel Pitch (mm)	0.24825 (H) x 0.24825 (V)	0.2745 (H) x 0.2745 (V)
	Viewing Angle (H-V)	170°/160°	178°(H) / 178°(V)
	Backlight MTBF (hrs)	30000 (LED backlight)	30000 (LED backlight)
Touch	Touchscreen	Projected capacitive type with 10-point multi-touch	
	Surface Hardness	6H	
System	CPU Support	6th Generation Intel® mobile ULT Core™ i7-6600U / Core™ i5-6300U and /Celeron® 3855U	
	RAM	Two 260-pin 2133/1866 MHz dual-channel DDR4 non-ECC unbuffered SO-DIMMs (system max. 32GB)	
	LAN Controller	2 x Intel® i211	
	I/O Port	Bottom I/O 1 x DC Jack 2 x HDMI out 2 x GbE LAN port 2 x RS232/422/485 4 x USB 3.0 port 1 x RJ-11 for barcode module	Other 2 x USB 2.0 port (side) 1 x Audio out (side) + 1 x Mic in (side) 1 x Digital Mic (front, bottom)
	Storage	1 x 2.5" Accessible SATA HDD bay 2 x M-key M.2 2242/60/80 (PCIe+SATA) with RAID	
	Audio	2 x 3W Speaker	
	Webcam & Microphone	5-megapixel CMOS front-facing camera with auto-focus and digital microphone	
	Expansion Interface	1 x Full-size/half-size PCIe Mini (PCIe+USB)	
	LED Indicator	1 x RFID indicator 3 x Battery indicator (Color : Blue/Orange) (Location: RFID)	
Other Features	Cooling Method	Fan-less	
Connectivity	Wi-Fi and Bluetooth	IEEE 802.11 a/b/g/n/ac 2T2R module with Bluetooth V4.0 (M.2 2230)	
Physical	Construction Material	ABS+PC plastic with anti-bacterial material	
	Mounting	Wall, Stand and Arm VESA 75/100	
	Net Weight	6.8 kg without battery	
	Dimensions (WxHxD) (mm)	541mmx 348mm x 56mm	
Environment	Operating Temperature	0°C~40°C	
	Storage Temperature	-20°C~60°C	
	Humidity	10% to 95% (non-condensing)	
	Vibration	1G	
	Shock	Operating Shock: 5G peak acceleration (11ms duration) Non-Operating Shock: 15G peak acceleration (11ms duration)	
	IP Level	Front: IP65 Back: IP32 above	
Power	Power Input	12V~28V DC input	
	Power Adapter	150W medical power adapter	
	Battery	3 slots for TC-202 battery pack	
Certification	CE, FCC Class B part 18,ANSI/AAMI ES60601-1 CAN/CSA-C22.2 No. 60601-1:14,IEC 60601-1-6/IEC62366,ISO 14971		



Ordering Information

Part No.	Description
POCm-W22C-ULT3-C/PC/4G-R10	21.5" 250cd/m ² FHD medical panel PC with 6th generation 14nm Intel® mobile Celeron® 3855U (15W) 1.6GHz on-board processor (ULT), one 4GB DDR4 RAM, 802.11a/b/g/n/ac Wi-Fi module, PCAP touchscreen, 5-megapixel camera, microphone, hot-swappable battery, R10
POCm-W22C-ULT3-i5/PC/4G-R10	21.5" 250cd/m ² FHD medical panel PC with 6th generation 14nm Intel® mobile Core™ i5-6300U (15W) 2.4GHz on-board processor (ULT), one 4GB DDR4 RAM, 802.11a/b/g/n/ac Wi-Fi module, PCAP touchscreen, 5-megapixel camera, microphone, hot-swappable battery, R10
POCm-W22C-ULT3-i7/PC/4G-R10	21.5" 250cd/m ² FHD medical panel PC with 6th generation 14nm Intel® mobile Core™ i7-6600U (15W) 2.6GHz on-board processor (ULT), one 4GB DDR4 RAM, 802.11a/b/g/n/ac Wi-Fi module, PCAP touchscreen, 5-megapixel camera, microphone, hot-swappable battery, R10
POCm-W24C-ULT3-C/PC/4G-R10	24" 250cd/m ² FHD medical panel PC with 6th generation 14nm Intel® mobile Celeron® 3855U (15W) 2.4GHz on-board processor (ULT), one 4GB DDR4 RAM, 802.11a/b/g/n/ac Wi-Fi module, PCAP touchscreen, 5-megapixel camera, microphone, hot-swappable battery, R10
POCm-W24C-ULT3-i5/PC/4G-R10	24" 250cd/m ² FHD medical panel PC with 6th generation 14nm Intel® mobile Core™ i5-6300U (15W) 2.4GHz on-board processor (ULT), one 4GB DDR4 RAM, 802.11a/b/g/n/ac Wi-Fi module, PCAP touchscreen, 5-megapixel camera, microphone, hot-swappable battery, R10
POCm-W24C-ULT3-i7/PC/4G-R10	24" 250cd/m ² FHD medical panel PC with 6th generation 14nm Intel® mobile Core™ i7-6600U (15W) 2.6GHz on-board processor (ULT), one 4GB DR4 RAM, 802.11a/b/g/n/ac Wi-Fi module, PCAP touchscreen, 5-megapixel camera, microphone, hot-swappable battery, R10

Options

Part Number	Description
MEDP-HS-R10	USB interface VoIP phone and its holder, white
MEDP-CR-R10	Magnetic card reader/Smart card reader/Fingerprint sensor, white
MEDP-MF-RFID-R10	MIFARE RFID reader, 13.56MHz, with LED indicator, IEI assembly only
MEDP-TPM-R10	Trusted platform module kit, IEI assembly only
MEDP-EZS-R10	VESA 100 x 100 mm panel PC stand with a cable management hole, white
MEDP-BC-04-R10	4-Bay battery charger
MEDP-HSBAT-R10	1 Lithium-ion 3S3P battery pack.11.1V/7800mA
POCm-W22C-ULT3-W10E64-V-R10	OS Image with Windows Embedded Standard 10 E Value 64-bit for POCm-W22C/W24C Series, with DVD-ROM, RoHS
*POCm-W22C-ULT3-W10E64-R10	OS Image with Win10 IoT Ent LTSB 2016 MultiLang OEI Value (ESD) 64-bit for POCm series, with DVD-ROM

*OS image with CD-ROM without storage

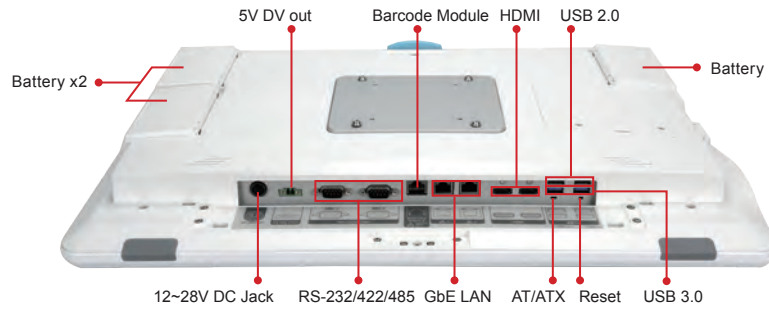
IQ Mounting Options

Item	Part No.
Wall Mount Kit	AFLWK-19B
Arm	ARM-31-RS
Stand	STAND-300SW-RS/STAND-A21-R10

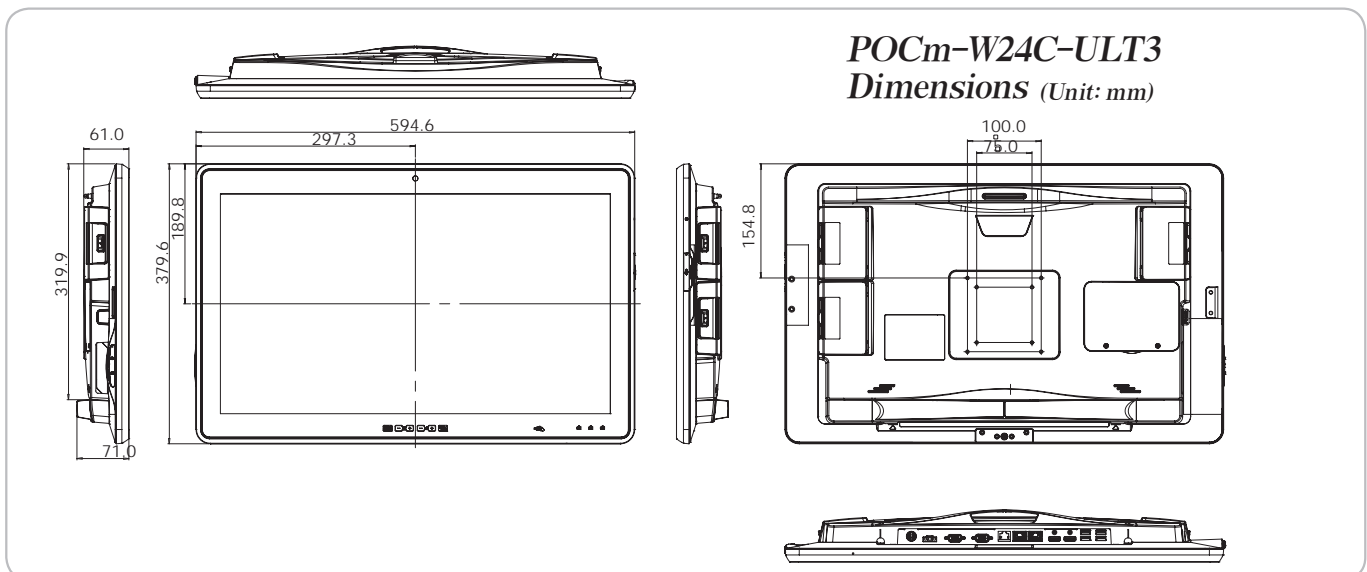
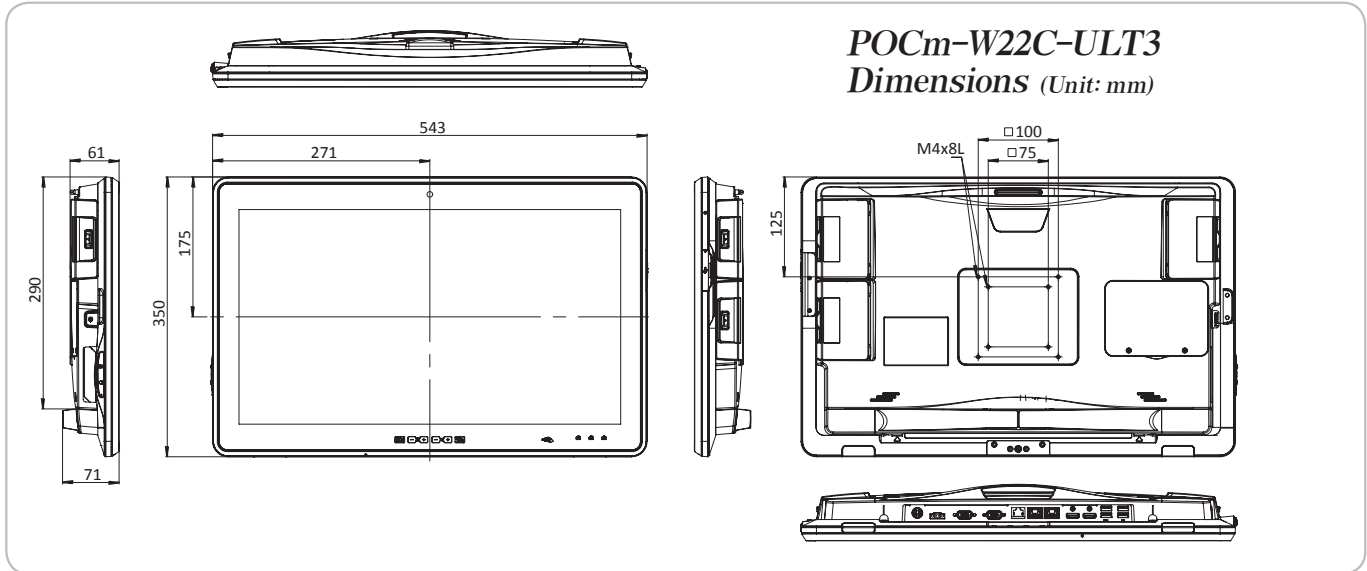
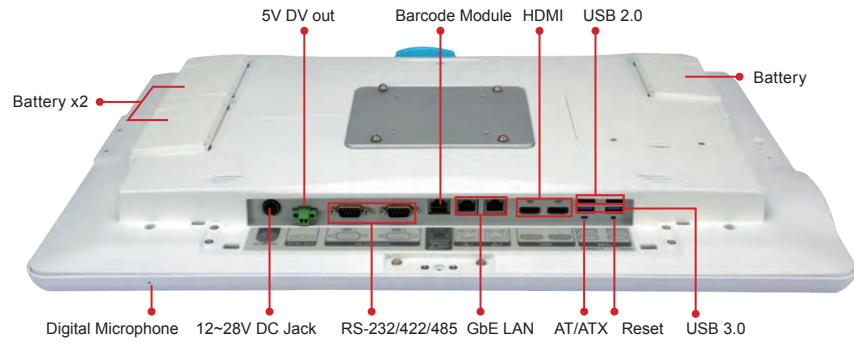
Packing List

Item	Q'ty	Description
Utility CD	1	Drivers and user manual
Power Adapter	1	150W medical power adapter
Power Cord	1	European power cords, 183 CM, C13

POCm-W22C-ULT3
I/O Interface



POCm-W24C-ULT3
I/O Interface



Bedside Infotainment Terminal

BIS Series

Preliminary

BIS-W19C-ULT4

18.5" Medical Panel PC with 7th Generation Intel® mobile ULT Core™ i5/Celeron® processor

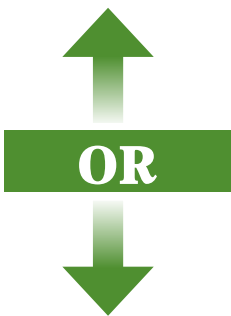
Features

- 18.5" 16:9 LED panel (1366 x 768 / 1920 x 1080)
- 7th generation Intel® Core™ i5-7300U and Celeron® 3965U CPU
- Projected capacitive touchscreen supports multi-touch
- IP65 compliant front bezel
- Anti-bacteria cover
- HDMI input supported (monitor mode)
- Optional 3-in-1 card reader: MSR, SCR and fingerprint
- Optional Mifare RFID module
- Optional VoIP phone handset
- Optional handle module with barcode scanner and reading light



It's a medical grade PC as well as a monitor!

A Integrated a wireless video streaming device



B Connected with a physical cable (with an extra HDMI extension cord from board to I/O)



For HDMI input function, we put a physical button here to make the mode switching process more smoothly and friendly.

Applications



● Push notification services for patients

Inpatients may need health education from hospital or reading the preoperative notice before surgery. The BIS-W19C-ULT3 could be integrated with the hospital server to realize these functions, with which most of the action of health education could be digitized to reduce human resources.



● HIS/NIS system for nurses

Most of the hospitals make use of digital information system to avoid human error and to optimize caring flow. The BIS-W19C-ULT3 could be integrated with the HIS/NIS system, from which clinicians can easily check doctors' prescriptions and record patients' vital information to the data center directly.



● Entertainment for patients

Inpatients in the hospital may have plenty of time except consultation of doctors or doing a surgery, which means inpatients also need some entertainments. The BIS-W19C-ULT3 could be integrated with the bedside software applications which aggregate various functions that inpatients may need. The bedside solution could offer inpatients all the daily requirements.



● Patient counseling discussion

Ward rounds are a major daily work of doctors. It is difficult for the doctor to carry all patients' medical information during ward rounds. The generation of digital healthcare is happening. The doctor can just bring a tablet during ward rounds to explain all the medical conditions to each inpatient. Wireless video streaming to a bigger screen helps doctors, inpatients and family members have a more convenient discussing environment.

Specifications

Model		BIS-W19C-ULT4	
LCD Specifications	LCD Display	18.5" (16:9)	
	Max Resolution	1366 (W) x 768 (H) / 1920 (W) x 1080 (H)	
	Brightness (cd/m ²)	250 / 350	
	Contrast Ratio	1000:1	
	LCD Color	16.7M colors (RGB 6-bit) / 16.7M colors (RGB true 8-bit)	
	Pixel Pitch (mm)	0.3 (H) x 0.3 (V) / 0.213 (H) x 0.213 (V)	
	Viewing Angle (H-V)	170°(H) / 160°(V), 178°(H) / 178°(V)	
	Backlight MTBF (hrs)	30000 (LED backlight) / 50000 (LED backlight)	
Touch	Touchscreen	Projected capacitive type with USB interface	
	Surface Hardness	6H	
System	CPU Support	Intel® Kabylake ULT platform Core™ i5-7300U and Celeron® 3965U	
	RAM	Two 260-pin 2133/1866 MHz dual-channel DDR4 non-ECC unbuffered SO-DIMMs (system max. 32GB)	
	I/O Port	Rear	1 x 1.5kV isolation COM port 1 x 12~28V DC Jack 1 x GbE LAN port 2 x USB 3.0 port
		Bottom	1 x RJ-11 for barcode scanner (1D/2D) 1 x GbE LAN port 2 x USB 3.0 port 1 x HDMI output
		Side	1 x HDMI input (optional) 2 x USB 2.0 port 1 x Audio out 1 x Mic in
	Storage	1 x 2.5" SATA 6Gb/s HDD bay 1 x mSATA (E-Window)	
	Audio	2 x 2W speaker	
	Webcam & Microphone	2-megapixel CMOS front-facing camera with auto-focus and digital microphone	
	LED Indicator	RFID indicator LED	
	Other Features	Monitor Mode	Yes
Function Key		1 x LCD on/off 1 x Brightness up 1 x Brightness down 1 x Volume up 1 x Volume down 1 x Touch lock button for cleaning Combinations: 1 x Auto-dimming on/off	
Light Sensor		Ambient light sensor for panel brightness adjustment	
Cooling Method		Fan-less	
Connectivity	Wi-Fi and Bluetooth	IEEE 802.11 a/b/g/n/ac 2T2R module with Bluetooth V4.1 (M.2 2230 A-E key module)	
Physical	Construction Material	ABS+PC plastic with anti-bacterial material	
	Mounting	Wall, Stand and Arm VESA 100/75	
	Net Weight	6.5 kg	
	Dimensions (WxHxD) (mm)	478.6 x 317.3 x 60.1	
Environment	Operating Temperature	0°C~40°C	
	Storage Temperature	-20°C~60°C	
	Humidity	10% to 95% (non-condensing)	
	Vibration	1G	
	Shock	Operating Shock: 5G peak acceleration (11ms duration) Non-Operating Shock: 15G peak acceleration (11ms duration)	
	IP Level	IP65 compliant front panel	
Power	Power Input	12V~28V DC input	
	Power Adapter	120W medical power adapter: Input: 100V~240V AC, Output: 19V DC	

Ordering Information

Part No.	Description
BIS-W19CF-ULT4-C/PC/4G-R10	18.5" 350 cd/m ² 1920 x 1080 panel PC with 7th generation 14nm Intel® mobile Celeron® 3965U (15W) on-board processor (ULT), one 4GB DDR4 RAM, 802.11a/b/g/n/ac Wi-Fi module, PCAP touchscreen, 2-megapixel camera, microphone, R10
BIS-W19CF-ULT4-i5/PC/4G-R10	18.5" 350 cd/m ² 1920 x 1080 panel PC with 7th generation 14nm Intel® mobile Core™ i5-7300U (15W) on-board processor (ULT), one 4GB DDR4 RAM, 802.11a/b/g/n/ac Wi-Fi module, PCAP touchscreen, 2-megapixel camera, microphone, R10
BIS-W19C-ULT4-C/PC/4G-R10	18.5" 250 cd/m ² 1366 x 768 panel PC with 7th generation 14nm Intel® mobile Celeron® 3965U (15W) on-board processor (ULT), one 4GB DDR4 RAM, 802.11a/b/g/n/ac Wi-Fi module, PCAP touchscreen, 2-megapixel camera, microphone, R10
BIS-W19C-ULT4-i5/PC/4G-R10	18.5" 250 cd/m ² 1366 x 768 panel PC with 7th generation 14nm Intel® mobile Core™ i5-7300U (15W) on-board processor (ULT), one 4GB DDR4 RAM, 802.11a/b/g/n/ac Wi-Fi module, PCAP touchscreen, 2-megapixel camera, microphone, R10

Options

Number	Description
MEDP-HS-R10	USB interface VoIP phone and its holder, white
MEDP-CR-R10	Magnetic card reader/Smart card reader/Fingerprint sensor, white
MEDP-HD-R10	Metal handle covered with soft rubber
MEDP-HD-BR-R10	Metal handle covered with soft rubber, with barcode reader and reading light, White
MEDP-MF-RFID-02-R10	Mifare RFID reader, 13.56MHz, with LED indicator and 100mm antenna, IEI assembly only
MEDP-TPM-02-R10	Trusted platform module kit with 300mm cable, IEI assembly only
MEDP-EZS-R10	VESA 100 x 100 mm panel PC stand with a cable management hole, white
BIS-W19C-ULT4-W10E64-V-R10	OS Image with Windows Embedded Standard 10 E Value 64-bit for BIS-W19C, with DVD-ROM, RoHS

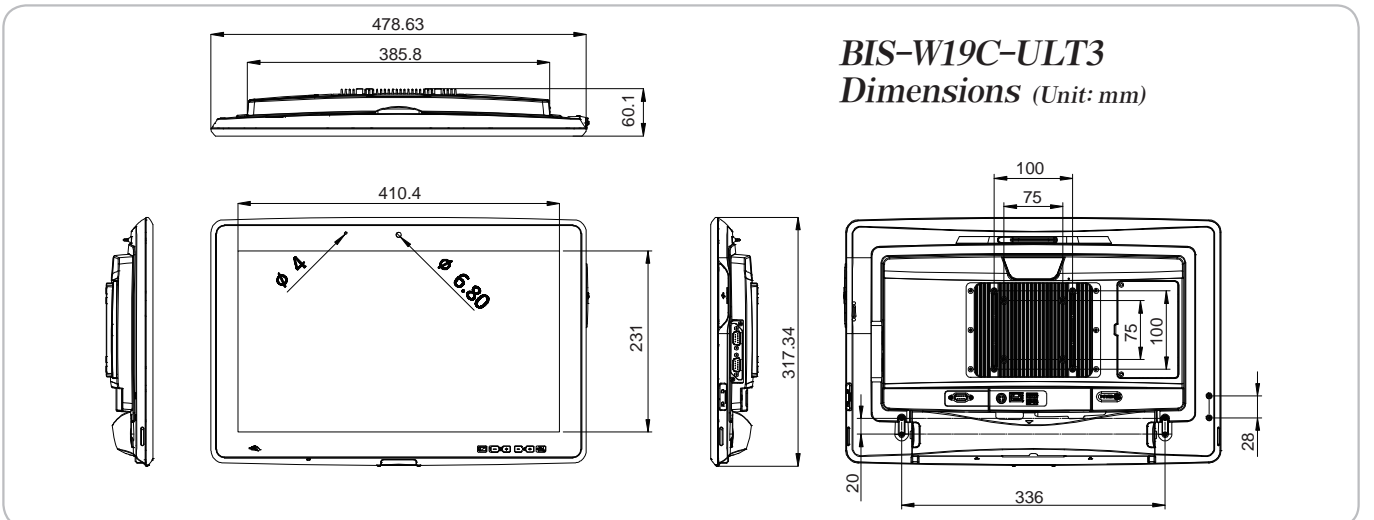
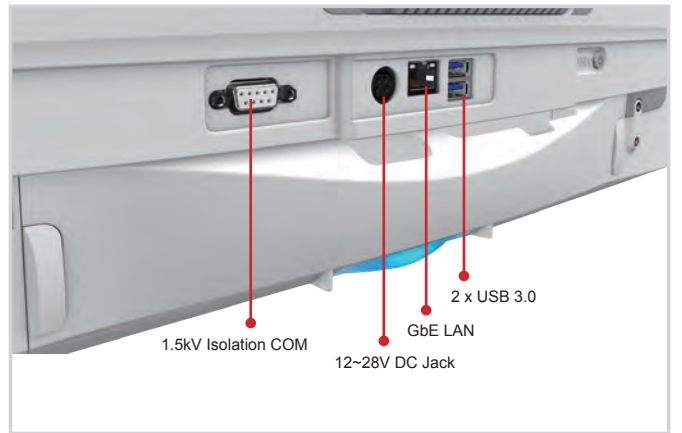
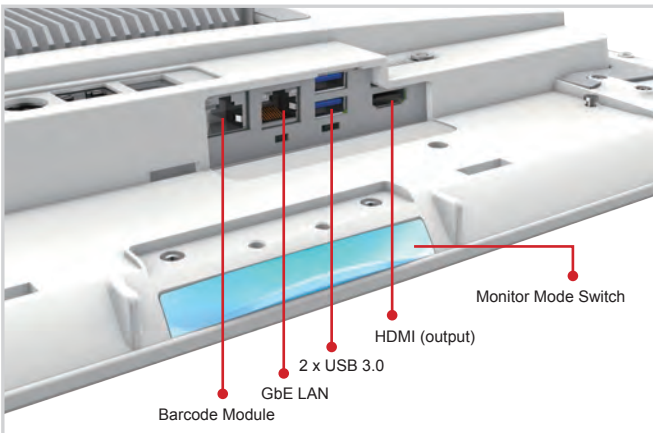
IQ Mounting Options

Item	Part No.
Wall Mount Kit	AFLWK-19B
Arm	ARM-31-RS
Stand	STAND-300SW-RS/STAND-A21-R10

Packing List

Item	Part No.	Q'ty	Description
Utility CD		1	Drivers and User Manual
Power Adapter		1	120W medical power adapter: Input: 90V~264V AC, Output: 19 V DC
Power Cord		1	European power cords, 183 CM, C13

I/O Interface



Bedside Infotainment Terminal

BIS Series

NEW

IOVU-10F-AD

10.1" RISC-Based Panel PC

Features

- 10.1" 1280x800 LCD
- Project Capacitive Touch Screen
- CPU: Freescale i.MX6 Cortex-A9 Quad-Core 1GHz
- OS: Android 4.2 or 5.1
- Boot Flash: 16GB eMMC NAND Flash
- RAM: 2GB DDR3 SDRAM on board



Specifications

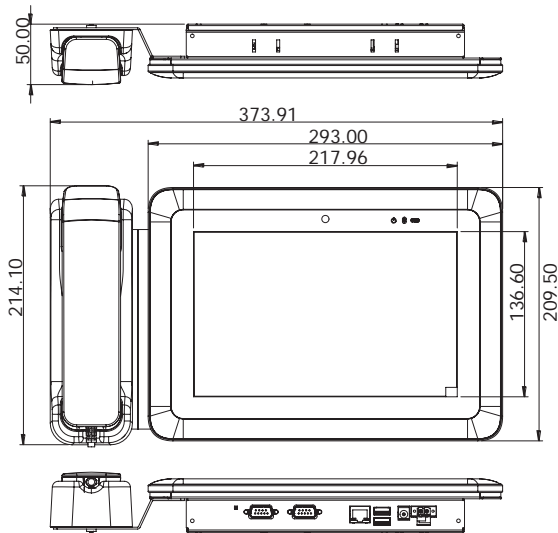
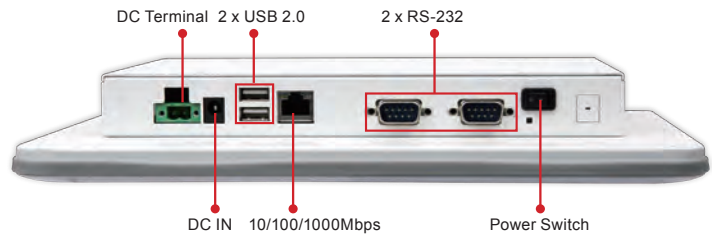
Model	IOVU-10F-AD-WB-ET	IOVU-10F-AD-WB-TC	IOVU-10F-AD-WB
LCD Size	10.1" (16:9)		
Resolution	1280(W) x 800(H)		
Brightness (cd/m ²)	400	300	300
Contrast Ratio	800:1		
LCD Color	16.2M	262K	262K
Pixel Pitch (mm)	0.1695 x 0.1695		
Viewing Angle	85/85/85/85 Deg.		
Backlight MTBF(hrs)	30000	20000	20000
Touch Screen	Projected capacitive		
CPU	Freescale i.MX6 Cortex A9 Quad-Core 1.0GHz		
RAM	1GB DDR3 SDRAM	2GB DDR3 SDRAM	
Boot Flash	4GB eMMC NAND Flash	16GB eMMC NAND Flash	
Operating System	Android 4.2.2	Android 5.1	Android 5.1
Input / Output	1 x 10/100/1000 Mbps 2 x USB 2.0 1 x RS-232/422/485 (DB-9) 1 x RS-232 full function (DB-9) 1 x 13.56MHz 1 x DC jack 1 x On/Off power switch 1 x Reset button 1 x SD slot (hidden)	1 x 10/100/1000 Mbps 2 x USB 2.0 1 x RS-232/422/485 (DB-9) 1 x RS-232 full function (DB-9) 1 x 13.56MHz 1 x DC jack 1 x Reset button 1 x SD slot (hidden)	1 x 10/100/1000 Mbps w/ PoE 2 x USB 2.0 1 x RS-232/422/485 (DB-9) 1 x RS-232 full function (DB-9) 1 x 13.56MHz 1 x DC jack 4 x GPIO 1 x Reset button 1 x SD slot (hidden) 1 x Audio jack (mic+speaker) 1 x Mini USB
Camera	N/A	N/A	1 x 2-megapixel camera
Audio	1 x 2W Speaker		
VoIP Phone	N/A	Optional VoIP Phone w/ user self define button	N/A
LED Indicator	N/A	1 x Power LED 1 x Wi-Fi LED 1 x BT LED	1 x Power LED 1 x Wi-Fi LED 1 x BT LED
Thermal Solution	Fanless		
Wireless	BT4.0 + Wi-Fi controller for 802.11b/g/n	Wireless a/b/g/n/ac + BT 4.0 w/ BLE	Wireless a/b/g/n/ac + BT 4.0 w/ BLE
Construction Material	Plastic front cover and metal rear cover		
Mounting	Panel, Wall, Stand, VESA Mount 75mmx75mm or 100mm x 100mm		
Color	White		
Dimensions (WxHxD) (mm)	293 x 209.5 x 44.49		
Operating Temperature	0°C ~ 40°C	0°C ~ 60°C	0°C ~ 60°C
Storage Temperature	-10°C ~ 60°C		
Humidity	5%~90% non-condensing		
IP Level	IP64 front panel only		
Power Requirement	9~30V DC		

Ordering Information

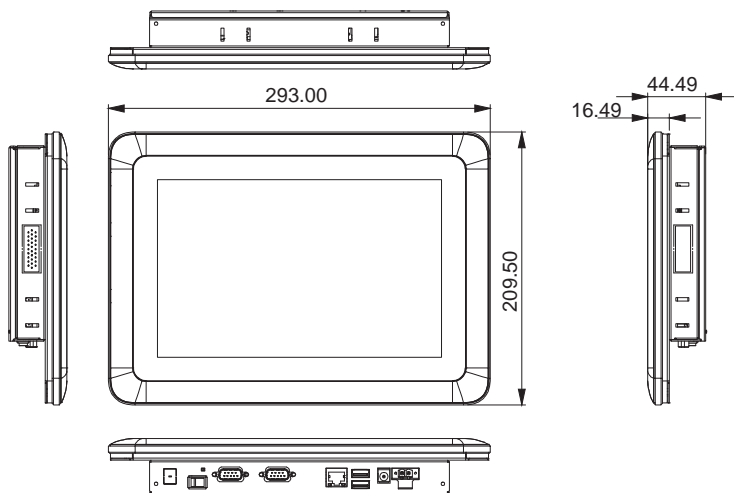
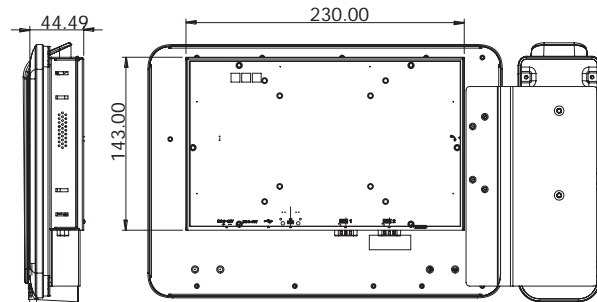
Part No.	Description
IOVU-10F-AD-WB-ET-R10	10.1" TFT-LCD; Freescale i.MX6 Cortex-A9 QC 1GHz; Wi-Fi/BT; 13.56MHz RFID; Android 4.2, RoHS
IOVU-10F-AD-WB-TC-R20	10.1" TFT-LCD, Freescale i.MX6 Cortex-A9 QC 1GHz, Wi-Fi/BT, RFID, 10/100/1000Mbps Ethernet, Android 5.1, RoHS
IOVU-10F-AD-WB-R20	10.1" TFT-LCD, Freescale i.MX6 Cortex-A9 QC 1GHz, Wi-Fi/BT, RFID, IEEE 802.3at for PoE, phone jack, 4xDIO, Android 5.1, RoHS

Options

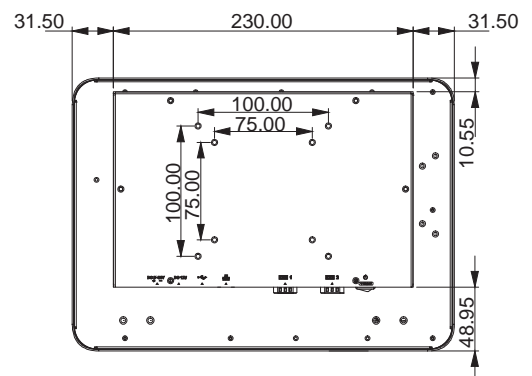
Part No.	Description
Power Adapter	63040-010060-130-RS (Vin:90~264VAC;60W;Vout:12VDC)
ARM	ARM-11-RS
Stand	STAND-A12-RS
Wall Mount Kit	AFLWK-19B
Panel Mount Kit	FPK-01-R10
VoIP Phone for IOVU-10F-AD-WB-TC-R20	MEDP-HS-RJ-R20



IOVU-10F-AD-WB Dimensions
(Unit: mm)



IOVU-10F-AD Dimensions
(Unit: mm)



Medical Box PC

NEW

HTB-100-HM170

Fanless Quad Core Box PC

Features

- Medical grade with high performance fanless embedded computing
- 6th Gen Intel® Core™ processor platform with Intel® HM170 chipset and DDR4 memory
- Triple independent display with high resolution support
- Isolated COM ports for enhancing safety among devices
- Optional PCIe x16 expansion slot supports more flexible functions



Smart & Friendly Design! HTB-100 brings you more satisfaction

Isolated COM ports, rich I/O interface, and multiple expansions are built in to the HTB-100. The intelligent HTB-100 medical computing system will meet all demands from the medical applications.



• Compliant with medical standards

The HTB-100 is compliant with medical standards, including IEC 60601-1 V3.1, IEC 60601-1-2 V4.0, IEC 62304, IEC 62366, ISO 14971 and FCC part 18 class B, making the medical environment more reliable.

• Flexible expansion

The flexible expansion is one of the advantages of the HTB-100 for medical applications. The HTB-100 reserves a PCIe x16 slot for add-on card expansions, such as capture card for medical imaging inspection during surgery.

• Waterproof top cover

The HTB-100 is equipped with a waterproof top cover in order to prevent any damage from cleaning or liquid which may indirectly affect patients. The HTB-100 can meet flat design and reduce maintenance effort.

• Cable cover for easy cabling

The cable cover protects the HTB-100 from dust and liquid ingress, and allows the medical staff to easily manage all the cables from the I/O ports, making the cleaning process more convenient in medical environment.



Powerful system design capability with innovative technology



● Isolated COM ports for safety protection

The COM ports support 4kV isolation that meets medical standard (IEC 60601-1-2 V4.0). The isolated ports can increase safety on device designed for medical environment, and provide comprehensive protection against electrical surges for patients and medical staffs.

● Fanless and easy maintenance

The HTB-100 is a fanless embedded system, and the heatsink is situated on the bottom side. The design makes the HTB-100 an easy-to-clean and reliable system for the medical environment.

● Ground pin to prevent harm to patients and medical staffs

The perfect grounding pin design can avoid current from the HTB-100 to vital devices which connect to patients, and to avoid the current damage from other devices.

● Easy mounting design

Various mounting methods such as desktop and wall mount are supported for easy use in medical environment. The provided flexible mounting bracket can be oriented 180 degrees to change from desktop to wall mount.



Specifications

Model		HTB-100-HM170
Chassis	Color	Silver+Greyish blue
	Dimensions (WxDxH)	294 x 209 x 90.2
	System Fan	Fanless
	Chassis Construction	Extruded aluminum alloy
Motherboard	CPU	Intel® Core™ i7-6822EQ (2 GHz, quad-core, TDP=25) Intel® Core™ i5-6442EQ (1.9 GHz, quad-core, TDP=25)
	Chipset	Intel® HM170
	System Memory	2 x 260-pin DDR4 SO-DIMM, one 4 GB pre-installed (system max: 32GB)
Storage	Hard Drive	1 x 2.5" SATA 6Gb/s HDD/SSD bay
I/O Interfaces	USB 3.0	4
	USB 2.0	2
	Ethernet	2 x RJ-45 PCIe GbE by Intel® I211 controller
	COM Port	2 x RS-232 (DB-9, with 4 kV isolation) 2 x RS-232/422/485 (DB-9, with 4 kV isolation)
	Display	1 x VGA, 1 x HDMI 2.0, 1 x iDP (optional)
	Resolution	VGA: Up to 1920 x 1200@60HZ HDMI 2.0: Up to 4096 x 2160@60Hz
	Audio	Realtek ALC662, 5.1-channel High Definition Audio (HDA), Line-in, Line-out, Mic-in
	Wireless	1 x 802.11a/b/g/n/ac 2T2R (optional)
Expansions	PCIe	1 x PCIe x16
	PCIe Mini	1 x Half-size PCIe Mini 1 x Full-size PCIe Mini (supports mSATA, colay with SATA)
	M.2	1 x M.2 (A & E key)
Power	Power Input	DC Jack: 12~28V DC
	Power Consumption	19V@4.4A (Intel® Core™ i7-6822EQ with 4 GB memory)
Reliability	Mounting	Wall mounting
	Operating Temperature	0°C ~ 40°C with air flow (SSD), 10% ~ 95%, non-condensing
	Storage Temperature	-40°C ~ 70°C with air flow (SSD), 10% ~ 90%, non-condensing
	Operating Shock	Half-sine wave shock 5G; 11ms; 100 shocks per axis
	Operating Vibration	MIL-STD-810G 514.6 C-1 (with SSD)
	Safety / EMC	CE, FCC class B part 18, IEC 60601-1 V3.1, IEC 60601-1-2 V4.0, IEC 62304, ISO 14971
OS	Supported OS	Microsoft® Windows 8, Microsoft® Embedded Standard 7

Ordering Information

Part No.	Description
HTB-100-HM170-i5/4G-R10	Ruggedized fanless embedded system with Intel® Core™ i5-6442EQ 1.9 GHz (up to 2.7 GHz, quad core, TDP 25W), 4GB DDR4 pre-installed memory, one PCIe x16 expansion, VGA/HDMI/iDP, COM port, 12~28V DC, RoHS
HTB-100-HM170-i7/4G-R10	Ruggedized fanless embedded system with Intel® Core™ i7-6822EQ 2.0 GHz (up to 2.8 GHz, quad core, TDP 25W), 4GB DDR4 pre-installed memory, one PCIe x16 expansion, VGA/HDMI/iDP, COM port, 12~28V DC, RoHS

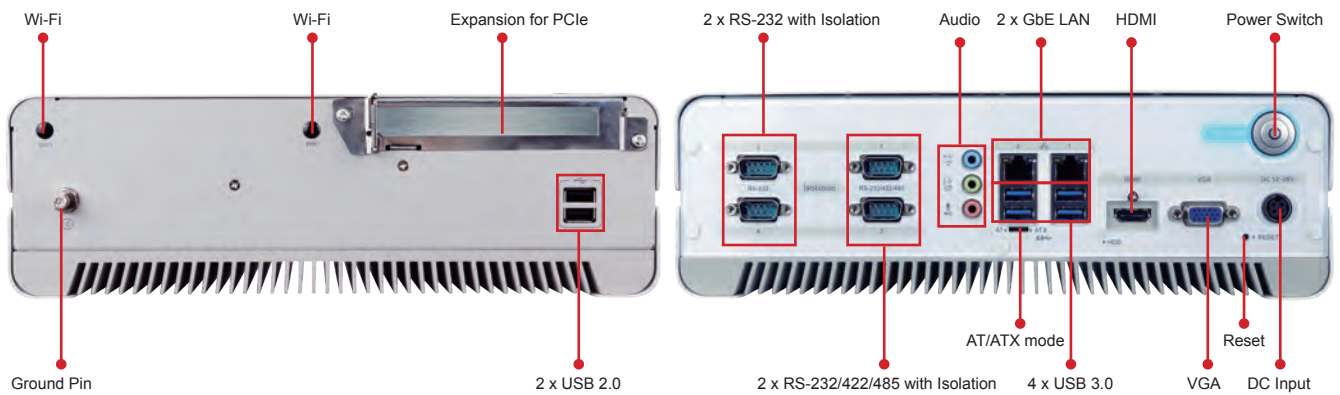
Options

Part No.	Description
63040-580120-000-RS	Adapter Power, Darfon, H1120-B0, BK.1HB2J3001, Active PFC, Vin:90~264VAC, 120W, 1200mm, MEDICAL, Vout:19VDC, Din 4Pin/lock, CCL, RoHS
32702-000200-100-RS	POWER CORD;EUROPEAN CODE(VDE)

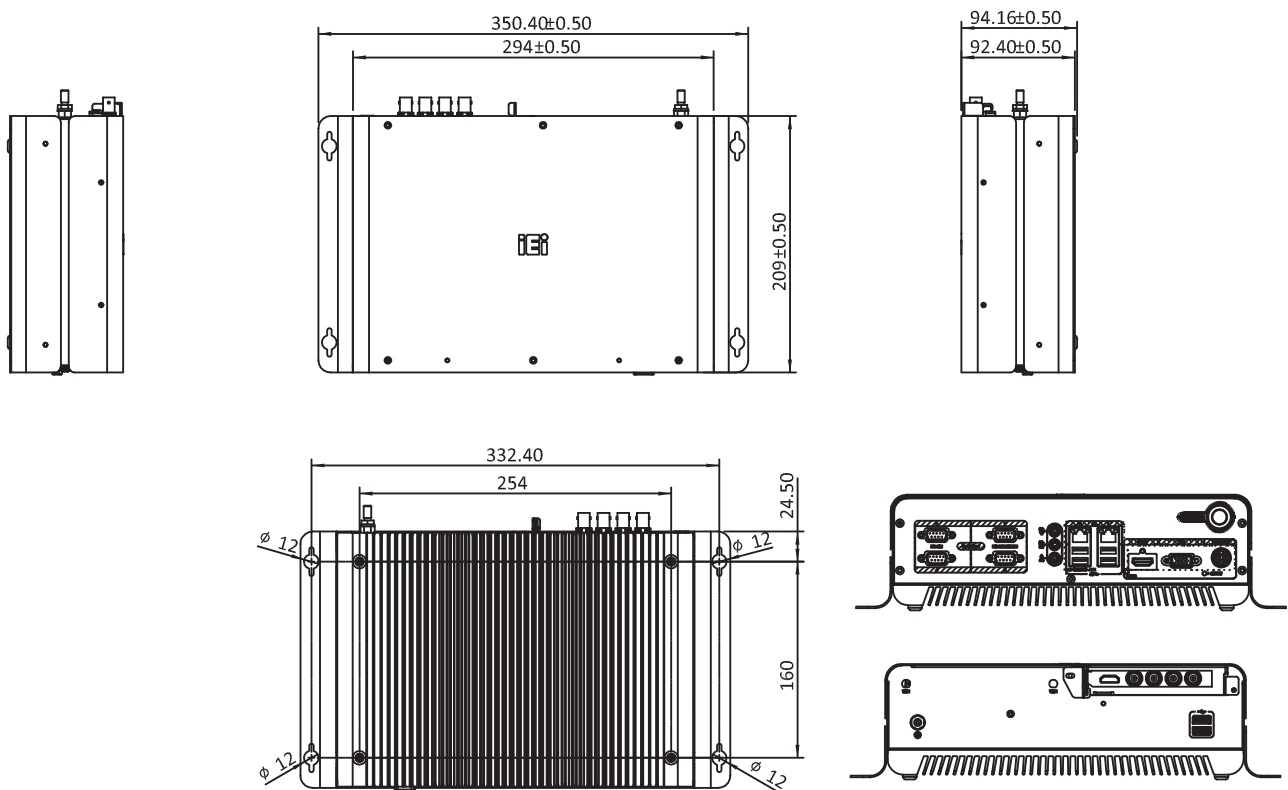
Packing List

1 x Utility CD	1 x Chassis Screw	1 x One Key Recovery CD	1 x Mounting Bracket
----------------	-------------------	-------------------------	----------------------

I/O Interface



HTB-100-HM170 Dimensions (Unit: mm)



HTDB-100FM

NEW

Handheld 1D/2D Barcode Reader, 1280x1024,
10 ~ 270 mm Reading Distance, USB Interface

Features

- Read 1D, 2D barcodes on paper and mobile phones
- Strong ability to read barcodes and to fast decode broken, curved and blurry printed barcode
- Read multiple barcodes by holding the trigger
- IP41 rating against dust and moisture
- Rugged design, 1.8 m/5.9 ft. drop to concrete
- Ergonomic and beautiful design for long time usage, suitable for left- and right-handed users
- Medical grade design: Anti-bacterial surface (HTDB-100FM)



7/8.1
Windows

32/64
Bit

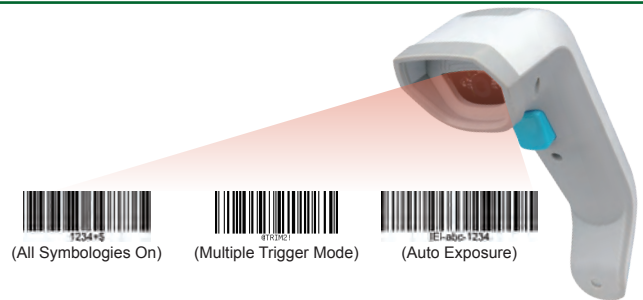
1D Barcode
Reader

2D Barcode
Reader

IP64

Easy Setting for Barcode Preference or Symbology

To configure the barcode reader, simply scan the corresponding barcode symbols listed in the user manual. For example, if the user needs to set the exposure mode to automatic, just scan the Auto Exposure barcode.



HTDB-100FM Decode Range

HTDB-100FM Decode Range	mil	Distance (mm)
code39 (Calibration Test Cards)	7.5	30 mm - 145mm
code128 (Calibration Test Cards)	7.5	35 mm - 145mm
UPCE (Calibration Test Cards)	13	20mm - 250mm
QR code	10	35mm - 180mm
	20	10mm-270mm
Data Matrix	10	35mm-170mm
	20	15mm-270mm

Application Places



Medical

The HTDB-100FM can be used with medication cart or in operating room/ pharmacy/emergency room.



Industrial

The HTDB-100FM can be used in production lines or warehouses.

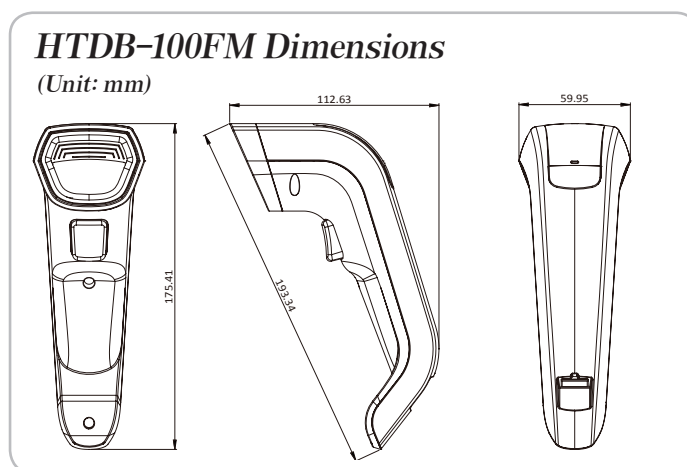


Food

The HTDB-100FM can be used in discount stores or supermarkets.

Specifications

Model		HTDB-100FM
Electrical	Interface	RJ-45 to USB 2.0
	Input Voltage	5 V
	Operating Power	2 W ~ 3 W
Mechanical	Dimensions (HxWxD)	17.5 cm x 5.9 cm x 11.2 cm
	Weight	120 g
Environmental	Drop	Designed to withstand 20 times of 1.8 m drops to concrete on each of the faces
	Sealing	IP 41
	Operating Temperature	0°C to 55°C (32°F to 131°F)
	Storage Temperature	-10°C to 65°C (13°F to 149°F)
	Humidity	0 to 95% relative humidity, non-condensing
	Light Levels	0 to 100,000 lux (9,290 foot-candles)
Light Sourc	Aiming Pattern	520 ~ 535 nm LED
	Illumination	646 ~ 666 nm LED
System Requirement	OS Support	Microsoft Windows 7/8.1(32-bit&64-bit)
	SDK	Windows: Provides SDK and demo program with sample source code Linux: Provides SDK and demo program with sample source code
Scan Performance	Scan Pattern	Area image (1280 x 1024 pixel array, 1.3-megapixel)
	Motion Tolerance	Up to 350 cm/s for 13 mil UPC at optimal focus
	Depth of Field	10 mm ~ 270 mm
	FOV	Horizontal: 42.4° / Vertical: 34.4° / Diagonal: 53°
	Print Contrast	20% minimum reflectance difference
	MTF	100 lp/mm (>10%)
Symbologies	1D	UPC/EAN, UPC/EAN with supplementals, Bookland EAN, ISSN, UCC Coupon Extended Code, Code 128, GS1-128, ISBT 128, Code 39, Code 39 Full ASCII, Code 93, Interleaved 2 of 5, Codabar, MSI
	2D	MicroPDF417, PDF417, Data Matrix, QR Code, Micro QR Code
Certification	Electrical Safety	UL60950-1 2nd ed, EN60950-1/IEC60950-1 2nd ed
	LED Safety	IEC 62471 and EN 62471
	EMI/RFI	FCC Part 15 Class B, EN55022 Class B, EN55024, Medical Electrical Equipment:EN60601-1-2, FCC Part 18



Packing List

- 1 x HDTB-100F series handheld barcode reader
- 1 x RJ-45 to USB cable
- 1 x QIG



Ordering Information

Part No.	Description
HTDB-100FM-R10	Handheld barcode reader with 1D/2D barcode decoding, 1280x1024, 10 ~ 270 mm reading distance, anti-bacterial surface, USB interface, RoHS
HTDB-100F-R10	Handheld barcode reader with 1D/2D barcode decoding, 1280x1024, 10 ~ 270 mm reading distance, USB interface, RoHS

Solution Partner for Healthcare Industry

Celebrate Humanity with Technology

BriteMED is dedicated to developing and applying innovative electronic medical solutions that improve clinical workflow and enhance patient care. At BriteMED, all the solutions are designed, tested and refined with the clinical environment in mind. As an affiliate of the IEI Group, a reputed industrial application provider, we leverage the hardware and software strength to provide integrated solution, including medical device, medical display, computing platform, mobile workstation and powering system. The utmost medical solution together with the advanced technology is our commitment for medical professionals. From product design to integration service, we aim to develop reliable and technology-driven solutions that make people's lives better-whether they are doctors, nurses or patients. We believe perfecting those small details touches our customers and their individual requests.



Medical Monitor

Medical Battery

Medical Cart



A range of full-HD monitors that display quality imaging in multi-modality settings.

The BriteMED® medical monitors support a wide range of inputs, enabling the connection to the state-of-the-art devices without extra effort. The quality panel technology produces stable and artifact-free imaging to help surgeons make decision during operation. The anti-glare glass design allows accurate image viewing under strong lighting in the operation theater.

A wide range of medication and documentation carts that streamline the nursing workflow.

The BriteMED® battery systems apply the advanced Lithium-Ion technology which is safe and long lasting, perfect for strict standards in medical applications. The multi-output design enables connection of various devices through only one battery system, streamlining the workflow process without battery interruptions.

A wide range of medication and documentation carts that streamline the nursing workflow.

The BriteMED® medical carts can be integrated with the medical panel PCs and battery systems, providing an all-in-one solution for EHR workstation. For various hospital preference, a range of colors and accessories can be chosen to maximize the flexibility for different applications.

Medical Certifications



BriteMED® MMS-21C

A full-HD LCD medical monitor with VGA and DVI-D inputs



* Stand is optional

Features

- Standard DVI-D and VGA inputs
- Full-HD LCD panel for exceptional display clarity
- DICOM/Gamma calibration for best image accuracy
- Easy-disinfection panel for hygienic purpose
- Optional display layout adjustment: picture-in-picture & picture by picture

Specifications

MMS-21C	
Description	Non-touchscreen with VGA, DVI-D inputs
Display	
LCD Size	21.5" (16:9)
Resolution	1920 (W) x 1080 (H) pixels
Brightness(max.)	250 nits (typical)
Contrast Ratio	5000:1 (typical)
View Angle (H/V)	178°/178° (typical)
General	
Color Temperature	Factory calibrated 4500K, 5500K, 6500K, 7500K, USER
Gamma Correction	Factory calibrated gamma 2.0 & DICOM
Power Requirement	Medical grade power adaptor:100~240V AC 1.0-0.6A 50~60Hz, 12V DC 2.5A
Function Keys	1 x OSD rotary knob 1 x Input source quick selection 1 x Monitor Sleep
Dimensions (Lx W x H)	530.3 x 325 x 53mm
Weight	6.2kg
Operating Temperature	0°C~40°C
Storage Temperature	-20°C ~60°C
Medical Certifications	AAMI ES 60601-1 and EN 60601-1
Input	
VGA (DB-15)	1
DVI-D	1
Audio	Phone jack x 1
Output	
Audio	2W x 2
Optional Interfaces	
HDMI 1.4	Input: HDMI 1.4 x 1, Output: HDMI 1.4 x 1 (loop through)
3G-SDI	Input: 3G-SDI x 1, Output:3G-SDI x 1 (loop through)
Package Content	
Package Content	<ul style="list-style-type: none"> • Monitor x 1 • Power Adapter x 1 • VGA Cable x 1

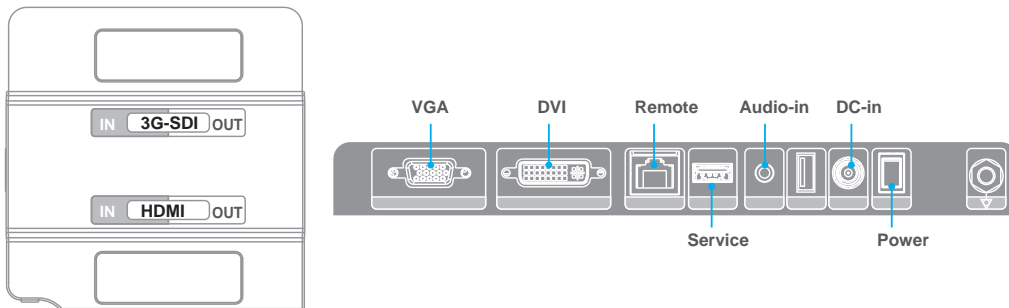
Ordering Information

Part No.	Description
MMS-21C-R10	21.5" 1920x1080 color monitor, VGA/DVI-D input, 100~240 VAC to 12V DC power adaptor
MMS-21CH-R10	21.5" 1920x1080 color monitor, VGA/DVI-D/HDMI input, 100~240 VAC to 12V DC power adaptor

Options

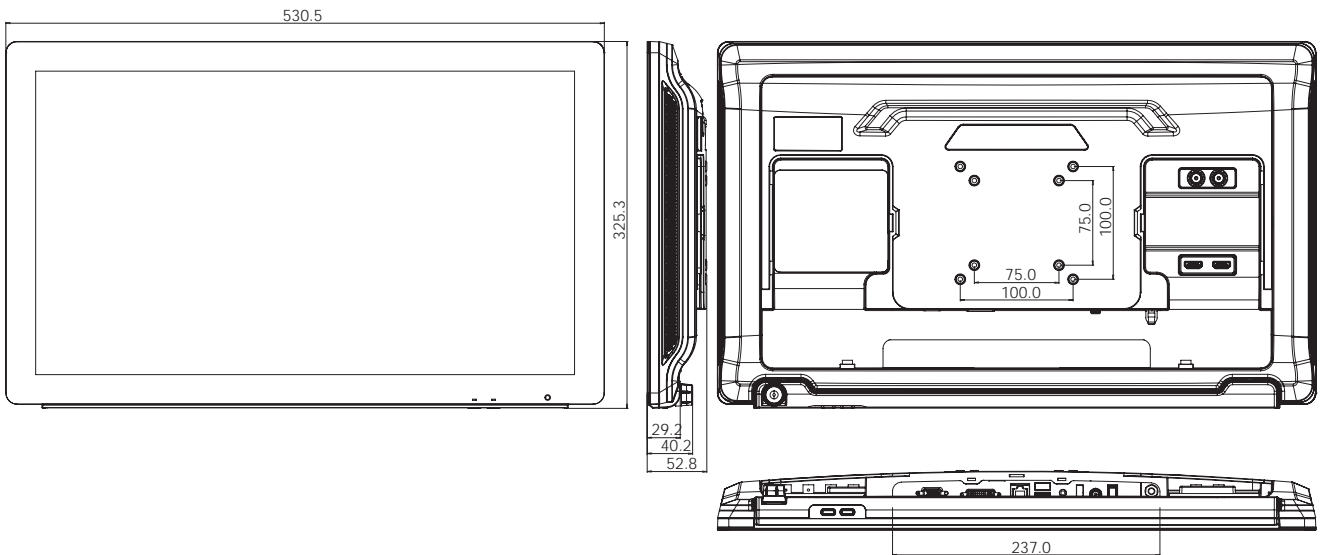
Part No.	Description
MMSO-3GSDI-R10	3GSDI input & loop-through add-on module
MMSO-HDMI-R10	HDMI 1.4 input & loop-through add-on module

Signal Interface



* SDI and HDMI connectors are optional interfaces.

MMS-21C Dimensions (Unit: mm)



BriteMED® MMS-21CA

A versatile medical monitor with multiple digital and analog inputs



* Stand is optional

Features

- Includes DVI-D, VGA, component, NTSC/PAL, S-Video inputs
- Built-in loop through technology for simultaneous display on different monitors
- DICOM/Gamma calibration for best image accuracy
- Optional display layout adjustment: picture-in-picture & picture-by-picture
- Satisfies different installation needs by VESA 75/100 mounting

Specifications

MMS-21CA	
Description	Non-touchscreen with VGA, DVI-D and analog inputs
Display	
LCD Size	21.5" (16:9)
Resolution	1920 (W) x 1080 (H) pixels
Brightness(max.)	250 nits (typical)
Contrast Ratio	5000:1 (typical)
View Angle (H/V)	178°/178° (typical)
General	
Color Temperature	Factory calibrated 4500K, 5500K, 6500K, 7500K, USER
Gamma Correction	Factory calibrated gamma 2.0 & DICOM
Power Requirement	Medical grade power adaptor: 100~240V AC 1.0-0.6A 50~60Hz, 12V DC 2.5A
Function Keys	1 x OSD rotary knob 1 x Input source quick selection 1 x Monitor Sleep
Dimensions (Lx W x H)	530.3 x 325 x 53mm
Weight	6.2kg
Operating Temperature	0°C~40°C
Storage Temperature	-20°C ~60°C
Medical Certifications	AAMI ES 60601-1 and EN 60601-1
Input	
VGA (DB-15)	1
DVI-D	1
Component	BNC x 1 (Y/Pb/Pr, R/Gs/B, R/G/B/C-Sync, R/G/B/H-Sync/V-Sync)
CVBS	BNC x 1 (NTSC, PAL)
S-Video	1
Audio	Phone jack x 1
Output	
Component	BNC x 1, loop through(Y/Pb/Pr, R/Gs/B,R/G/B/C-Sync, R/G/B/H-Sync/V-Sync)
CVBS	BNC x 1, loop through (NTSC, PAL)
S-Video	1, loop through
Audio	2W x 2
Optional Interfaces	
HDMI 1.4	Input: HDMI 1.4 x 1, Output: HDMI 1.4 x 1 (loop through)
3G-SDI	Input: 3G-SDI x 1, Output: 3G-SDI x 1 (loop through)
Package Content	
Package Content	• Monitor x 1 • Power Adapter x 1 • VGA Cable x 1

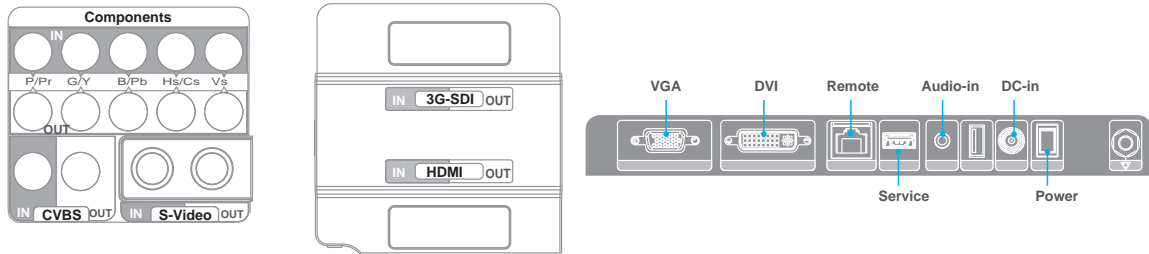
Ordering Information

Part No.	Description
MMS-21CA-R10	21.5" 1920 x 1080 color monitor, VGA/DVI-D/Component/CVBS/S-Video input, 100~240 VAC to 12V DC power adaptor

Options

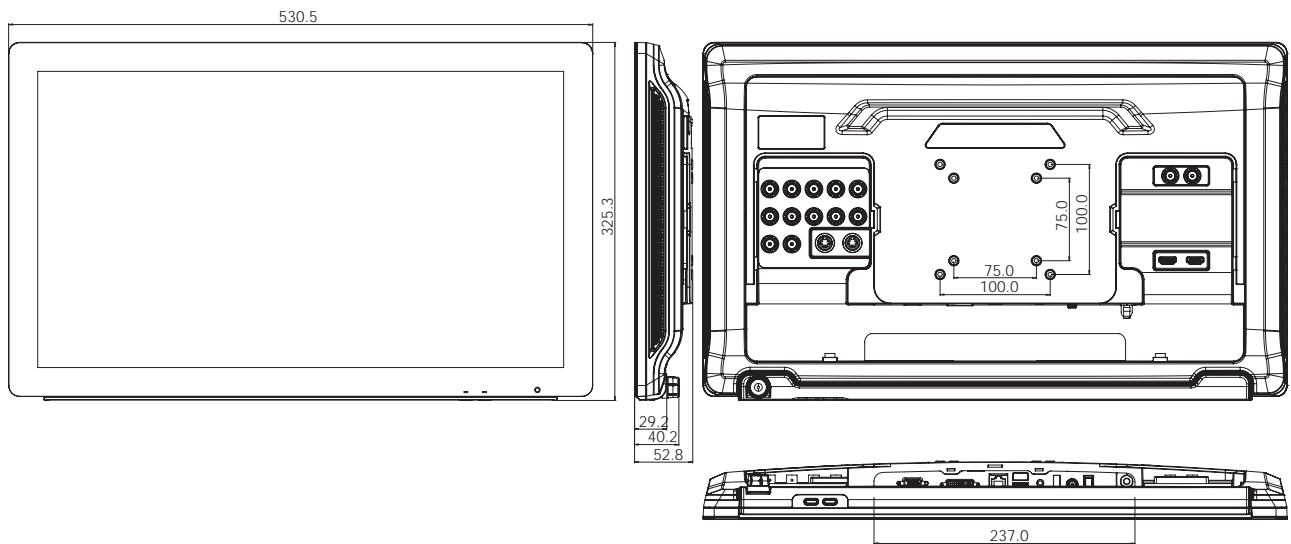
Part No.	Description
MMSO-3GSDI-R10	3GSDI input & loop-through add-on module
MMSO-HDMI-R10	HDMI 1.4 input & loop-through add-on module

Signal Interface



* SDI and HDMI connectors are optional interfaces.

MMS-21CA Dimensions (Unit: mm)



BriteMED® MMS-21CT

A full-HD LCD monitor with touch screen



* Stand is optional

Features

- Built-in projected capacitive touchscreen for quick patient record input
- Full-HD LCD panel in high resolution/contrast ratio and wide viewing angle
- DICOM/Gamma calibration for best image accuracy
- Easy-disinfection panel for hygienic purpose
- Optional display layout adjustment: picture-in-picture & picture-by-picture

Specifications

MMS-21CT	
Description	Touchscreen with VGA and DVI-D inputs
Display	
LCD Size	21.5" (16:9)
Resolution	1920 (W) x 1080 (H) pixels
Brightness(max.)	250 nits (typical)
Contrast Ratio	5000:1 (typical)
View Angle (H/V)	178°/178° (typical)
General	
Color Temperature	Factory calibrated 4500K, 5500K, 6500K, 7500K, USER
Gamma Correction	Factory calibrated gamma 2.0 & DICOM
Power Requirement	Medical grade power adaptor:100~240V AC 1.0-0.6A 50~60Hz, 12V DC 2.5A
Touch Screen	Projected capacitive touchscreen (USB interface)
Function Keys	1 x OSD rotary knob 1 x Input source quick selection 1 x Monitor Sleep
Dimensions (Lx W x H)	530.3 x 325 x 53mm
Weight	6.2kg
Operating Temperature	0°C~40°C
Storage Temperature	-20°C ~60°C
Medical Certifications	AAMI ES 60601-1 and EN 60601-1
Input	
VGA (DB-15)	1
DVI-D	1
Audio	Phone jack x 1
Output	
Audio	2W x 2
Optional Interfaces	
HDMI 1.4	Input: HDMI 1.4 x 1, Output: HDMI 1.4 x 1 (loop through)
3G-SDI	Input: 3G-SDI x 1, Output:3G-SDI x 1 (loop through)
Package Content	
Package Content	<ul style="list-style-type: none"> • Monitor x 1 • Power Adapter x 1 • VGA Cable x 1 • USB Cable x 1

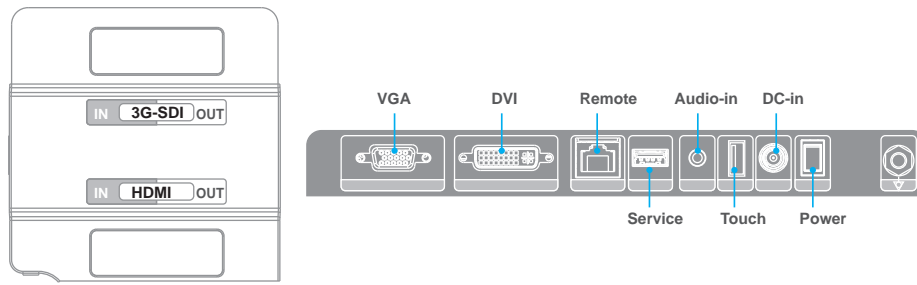
Ordering Information

Part No.	Description
MMS-21CT-R10	21.5" 1920x1080 color monitor, VGA/DVI-D input, P-CAP Touchscreen, 100~240 VAC to 12V DC power adaptor
MMS-21CTH-R10	21.5" 1920x1080 color monitor, VGA/DVI-D/HDMI input, P-CAP Touchscreen, 100~240 VAC to 12V DC power adaptor

Options

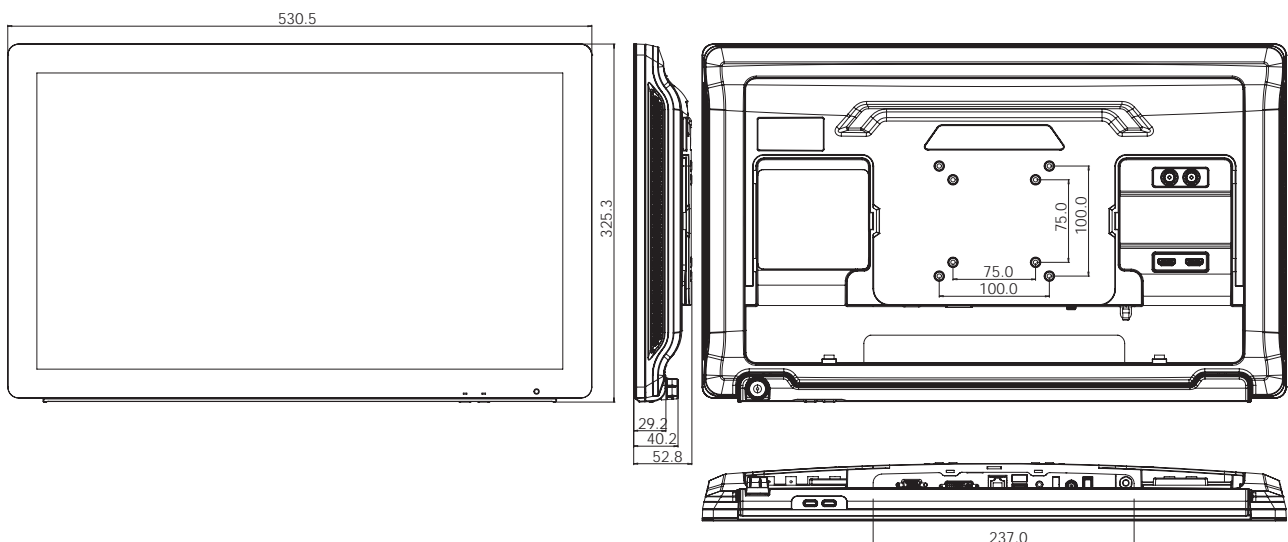
Part No.	Description
MMSO-3GSDI-R10	3GSDI input & loop-through add-on module
MMSO-HDMI-R10	HDMI 1.4 input & loop-through add-on module

Signal Interface



* SDI and HDMI connectors are optional interfaces.

MMS-21CA Dimensions (Unit: mm)



MBM Series

The MBM series medical battery systems are designed with normal rapid charging modes which can be automatically switched according to the usage conditions. Over charging, over discharging, short-circuit protections are also designed to ensure the maximum safety. Selected models are compliant with AAMI ES60601-1, EN 60601-1 and UN 38.3 standards. The external LED indicator provides the most flexible and convenient way to monitor the capacity and charging status of the battery system.



Model	MBM-L180	MBM-i220	MBM-i450
Description	Economical battery system	Light yet reliable battery system	Robust battery system
Battery Type	Lithium iron phosphate (LiFePO4)	Li-ion	Li-ion
Capacity	180 Wh	220 Wh	450 Wh
Lifetime	2000 cycles (at 80% depth of discharge)	2000 cycles (at 60% depth of discharge)	2000 cycles (at 60% depth of discharge)
Charging Time (at 100% depth of discharge without loading)	1.8hrs	3hrs	3.5hrs
Working Time (based on 45W panel PC)	4 hrs	4.9hrs	10hrs
Input Voltage	100~240V AC, 50-60Hz		
Power Connector	12VDC	Output-1: 12VDC Output-2: 24VDC or 19VDC Output-3: 5VDC (USB power)	
Output Connector	DC jack 5.5/2.5	Output 1 & 2: Molex 5559	
Dimensions (L x W x H)	290 x 220 x 82 mm	225 x 210 x 81 mm	
Weight	6.5kg	3kg	4.5kg
Operating Temperature	0°C~35°C	-5°C~45°C	
Cooling System	Fanless		
Certifications	Battery cell: UL-1642 & IEC-62133 Power module: EN-60950, CE-LVD, FCC, PSE	Medical safety: AAMI ES60601-1 & EN 60601-1 Medical EMC: EN 60601-1-2 Lithium battery cell safety: UL 1642 & IEC 62133 Lithium battery transport standard: UN38.3	
Package Content	<ul style="list-style-type: none"> • Battery x 1 • Remote user interface (RUI) unit with 2m cable and switch module x 1 • 2.3m DC power output cable, round type power DIN (4-pin) x 1 • 1.8m AC power cord (US type) x 1 • Mounting bracket x 2 	<ul style="list-style-type: none"> • Battery x 1 • Remote user interface (RUI) unit with RJ45 cable x 1 • 12VDC cable x 1 • Power cord (US or EU type) x 1 	

Medical Cart

A wide range of medication and documentation carts that perform mobile workstation purpose to meet various workflow requirements. The BriteMED® medical carts are designed with aluminum-alloy structure and each metal sheet is connected by electro-welding instead of screw, ensuring the strength and safety when moving around in the hospital. Integrated with the optional panel PCs and batteries, it provides a total solution for mobile health applications



Model No.	pCART-N1	pCART-N3	pCART-T1	pCART-D1	pCART-D2	
Description	Ergonomic for medication use	Small and Compact for use in limited space	Light-weight for maximum storage purpose	Elegant design for documentation purpose	Slim and economical for space-saving advantage	
Size (L x W x H)	54 x 68 x 101cm	51 x 46 x 94cm	71.6 x 52 x 94.5cm	52 x 54 x 150cm	80 x 64 x 145cm	
Working Table Dimensions (L x W)	45 x 59cm		62 x 42cm	54 x 45cm	51.7 x 26.1cm	
Side Table Loading Weight (max.)	8 kg			N/A		
Supported Arm Loading Weight (max.)	12kg		8kg	10kg	8kg	
Standard Drawer Configuration	Total Height	27"	24"	21"	N/A	N/A
	3" keyboard drawer	1	1	N/A	N/A	N/A
	3" drawer/ABS tray	1	2	3 (ABS tray:2,Basket:1)	N/A	N/A
	3" medication drawer	2	N/A	N/A	N/A	N/A
	6" drawer	1	1	2 (ABS tray)	N/A	N/A
	9" drawer	1	1	N/A	N/A	N/A
Mouse Holder	N/A			1	1	
Document Basket	N/A			1	1	
Barcode Reader Holder	N/A			1	1	
Wheels	5"	4"	5"	4"	4"	
Optional Battery Module	MBM- i220/ MBM-i450					

*Accessories and panel PC are optional