

Display Monitor Solutions

Durable waterproof displays are essential in today's commercial and industrial applications. IEI's versatile lines of flat-bezel IP 65 compliant industrial displays with shock and vibration resistance are designed specifically to endure the rigorous demands of modern commerce and industrial environments. These displays are easily integrated into automation applications, ATM machines and human machine interfaces.



Teaching Pendant



Marine Monitor



Open Frame Display Monitor

Display Monitor



DM-F Series

- IP65 flat-bezel
- Resistive touch window: 6H anti-scratch PCAP multi-touch
- HDMI/DP high definition audio/video interface
- 9~36V wide range DC input

Open Frame Monitor



LCD-KIT-F Series

- Integrated open frame mounting holes
- Flexible touch selection: resistive touch, resistive touch window or PCAP touch
- Flexible power selection: 12V DC or 9-36V DC power

Robot Teach Pendant



Robot-TP Series

- 6.5" & 8.4" TFT LCD with resistive touch screen
- 6-meter all-in-one cable design with power, touch, video, and button signal
- Fully IP64 protection
- 1 meter drop resistance

Maritime Monitor



SxxM Series

- IP66 flat-bezel
- PCAP multi-touch
- DVI/VGA/BNC output and BNC input
- Redundant power : AC and 18-36V DC
- 0%~100% dimmable LCD backlight
- Remote OSD control by serial port or LAN port
- Duplicate daisy chain monitor connection by VGA port

Display Monitor Selection Guide

Product Line	DM-F Series	LCD-KIT-F Series	Robot-TP Series	SxxM series
LCD Size	6.5" ~ 24"	12.1"~19"	6.5" & 8.4"	19" / 24"
Input Signal Interface	6.5"/ 8": VGA+DVI-D 12.1" ~ 24": VGA+HDMI+DisplayPort	VGA+DVI-D	VGA	2 x VGA, 2 x DVI 1 x BNC input, 1 x BNC output
Brightness (cd/m ²)	250 ~ 800	350 ~ 800	800 / 350	300
Operating Temperature	-20°C ~ 60°C	-20°C ~ 60°C	0°C ~ 50°C	-15°C ~ 55°C
OSD Function	Yes	Yes	-	Yes
IEI samrOSD Support	Yes	Yes	Yes	-
Front Panel Protection	IP 65	-	6-side IP 64	IP 66

1

IEIMobile Solutions

2

Automation Panel Solutions

3

Healthcare Panel PC Solution

4

Industrial System

5

ORing Network Communication

6

Automation Control

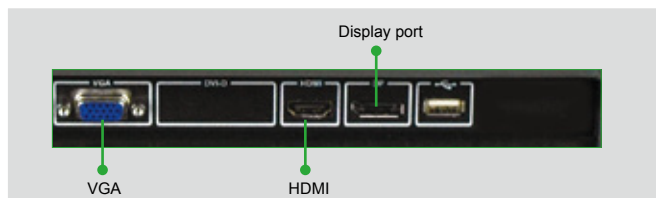
7

Optional Peripherals

Industrial Monitor Redefine

Flexible Video Input Selection

DM-F provides comprehensive video input from conventional analog VGA to broad bandwidth digital HDMI and DisplayPort to fulfill different needs.



Benefits of HDMI

- Single-link bandwidth to 340 MHz (10.2 Gbit/s)
- Blu-ray disc content support
- Downward convertible for DVI



Benefits of DisplayPort

- 17.28 Gbit/s broad bandwidth for faster transmission
- 15M for 1080p 60fps long transmission distance
- Blu-ray disc content support
- Lockable cables against vibration
- Downward convertible for HDMI and DVI



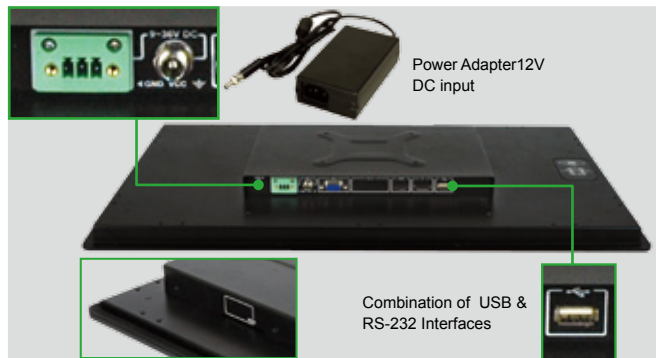
Lockable

9V~36V Wide Range DC Input

Power requirement varies from applications. DM-F series provides 9V~36V DC input which simplifies system integration through adapter or DC source.

Supports Mobile Application

Display Monitor series M models support wide 9V~36V DC power input. Factory and mobile environments, such as vehicles, usually use 12V or 24V DC power source. The wide 9V~36V power input range by terminal block and 12V power input by power jack can be adapted to a wide variety of appliance requirements.



1

IEI Mobile Solutions

Dual Touch Screen Control Interface: RS-232 & USB

Display monitor series provides both RS-232 and USB ports for touch screen connection.

- Lockable RS-232 connector ensures secure attachment (Optional)
- Standard Type A USB 2.0 interface with 480 Mbit/s maximum transfer rate provides faster data transmission than a traditional RS-232 interface

2

Automation Panel Solutions

3

Healthcare Panel PC Solution

IP 65 Waterproof Aluminum Front Panel

IP 65 is the highest dust, water and oil proof standard in ground usage, It absolutely prevents any micro-particles from getting into the system front panel and allows the system to function in harsh environments.



4

Industrial System

Wide Operating Temperature

Design for outdoor applications, DM-F series support wide operating temperature from -20°C ~ 60°C for 12" to 17" models. 22" and 24" are by project request.

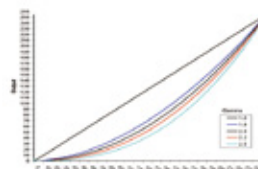


5

ORing Network Communication

Gamma Correction - Pursuit of Perfection

Gamma correction enables each panel model to follow the specified look-up-table (LUT) in gamma curve doing color adjustment through software encode. In this way, various monitors can display in an unified color by following Gamma 2.2 standard for PC products, ensuring color consistency for multiple monitor applications.



6

Automation Control

Cable Cover for Neat Cabling

The DM-F series provides an optional cable cover for easy and neat cabling.



7

Optional Peripherals

On Screen Display (OSD)

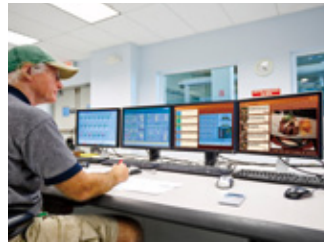
■ OSD Keypad on Back

In order to keep the front panel simple and clean, the membrane keypad of the DM-F series is located on the rear panel to prevent the possibility to adjust the setting accidentally.

■ SmartOSD

- 100% compatible with Windows environment -Windows 95/NT 4.0/98/2000/2003/XP/Vista
- Normal video cable (VGA/DVI) connection only
- Overcome operation obstacles

Distance, location and multiple display units no longer present obstacles when controlling the monitors with the SmartOSD.



Multiple Control Displays



Untouchable Location

■ IEI SmartOSD Software OSD for IEI LCD Monitors

IEI SmartOSD is a proprietary On-Screen-Display (OSD) software solution that enables easy remote monitor setting adjustments in Windows environment. IEI SmartOSD delivers excellent performance and provides more flexibility than typical OSD hardware solutions when adjusting a monitor. SmartOSD also allows monitor settings such as brightness, contrast, screen position, size, and color gain to be read and changed over normal video cable (VGA/DVI by project base).

Directly controls IEI display device through standard video cables !

VESA DDC / CI Protocol

Local Control System DVI~10m VGA~30m

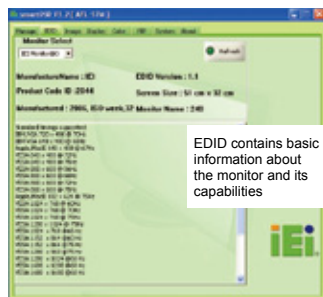
■ 100% Compatible with VESA DDC / CI Protocol

IEI LCD monitors are implemented with the VESA DDC/CI protocol and standard VESA Monitor Control Command Set (MCCS). Compliance software for designing displays compatible with VESA's DDC/CI and MCCS standards are easily modified and applied in other application programs.

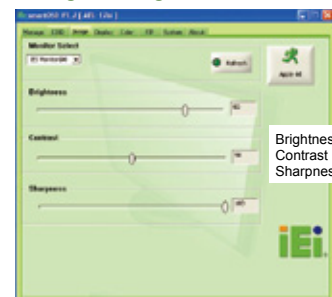


Various Remote Management Functions

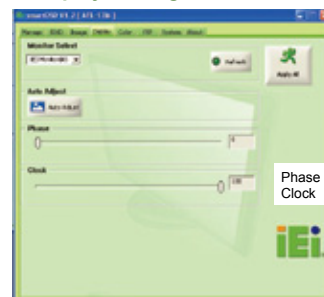
1. EDID



2. Image Setting



3. Display Setting



4. Color Setting



5. Picture in Picture Setting



6. System Setting



7. Monitor Power Management and File Saving

Monitor Select
Selects the monitor unit for which the system parameters will be adjusted

Settings Saving
Saves the referred settings of all the OSD functions as .dat files and load the settings

Power Management
Sets the monitor power on/off by time and week

1
IEIMobile Solutions

2
Automation Panel PC Solutions

3
Healthcare Panel PC Solution

4
Industrial System

5
ORing Network Communication

6
Automation Control

7
Optional Peripherals

Heavy Industrial Monitor

6.5"~15" DM-F IP65 Industrial Monitor

Features

- Robust IP65 aluminum front bezel
- Aesthetic ultra-thin bezel for seamless panel mount installation
- DC input
- DVI / VGA flexible video input solution
- Resistive single touch
- Wide temperature support



Specifications

Model		DM-F65A	DM-F08A	DM-F12A	DM-F15A
LCD	LCD Display	6.5" (4:3)	8" (4:3)	12" (4:3)	15" (4:3)
	Max. Resolution	640 (W) x 480 (H)	800 x 600	1024 (W) x 768 (H)	1024 (W) x 768 (H)
	Brightness (cd/m ²)	800	500	600	450
	Contrast Ratio	600:1	500:1	700 : 1	800 : 1
	LCD Color	16.2M	262K	16.2M	16.2M
	Pixel Pitch (mm)	0.207 x 0.207	0.0675 x 0.2025	0.24 x 0.24	0.29 x 0.29
	Viewing Angle (H-V)	160° / 140°	140°/120°	160° /140°	160° / 150°
	Backlight MTBF (Hrs)	50000	50000	50000	70000
Touchscreen & Controller		5-wire resistive single touch window/ Penmount 6000		5-wire resistive single touch window/ Penmount 6000 2-point projected capacitive touch window/ EETI EXC7200	
I/O Ports		1 x VGA (DB-15) 1 x DVI 1 x USB 2.0 (touch) 1 x RS-232 (reserved for resistive touch ATO) 1 x Lockable 12V DC jack		1 x VGA (DB-15) 1 x HDMI 1 x DisplayPort 1.1 1 x USB 2.0 (touch) 1 x RS-232 (reserved for resistive touch ATO) 1 x Lockable 9V-36V DC jack 1 x 9V-36V terminal block	
OSD	OSD Button	5-key membrane OSD keypad		7-key membrane OSD keypad	
	Smart OSD Software	Smart OSD Software			
Physical	Construction Material	Aluminum front frame and sheet metal rear cover			
	Mounting	Panel Mount/ Rack Mount 75 x 75 VESA Mount		Panel Mount/ Rack Mount/ 100 x 100 VESA Mount	
	Enclosure Color	Black C			
	Dimensions (mm)	191.8 x 154.36 x 42.88	222.2 x 182.2 x 42.7	262.2 x 322.2 x 40.5	303 x 378.5 x 43.2
	Cutout Dimensions (mm)	180 x 140	206 x 154	244.8 x 304.8	285.6 x 361.1
	Weight (kg) Net/Gross	1.1 / 2.6	1.33 / 4.5	2.7 / 4.9	3.5 / 5.5
Environment	Operating Temperature (with air flow)	-20°C ~ 60°C (with air flow)		-20°C ~ 60°C	
	Storage Temperature	-20°C ~ 70°C			
	Humidity	10% to 95% (non-condensing)			
	IP Level	IP 65 compliant front panel			
	Safety and EMC	CE & FCC certified			
Power Input		12V DC		9V~36V DC	
Power consumption		12V @ 0.5A	12V @ 0.5A	9V @ 2.2A 36V @ 0.5A	9V @ 1.6A 36V @ 0.4A

1 IEMobile Solutions

2 Automation Panel Solutions

3 Healthcare Panel PC Solution

4 Industrial System

5 ORing Network Communication

6 Automation Control

7 Optional Peripherals

Heavy Industrial Monitor

17"~24" DM-F IP65 Industrial Monitor

Features

- Robust IP65 aluminum front bezel
- Aesthetic ultra-thin bezel for seamless panel mount installation
- Wide range 9V~36V DC input
- HDMI / DisplayPort / VGA flexible video input solution
- Projected capacitive multi-touch and resistive single touch options
- Wide temperature support



Specifications

New

Model		DM-F17A	DM-F19A	DM-F22A	DM-F24A
LCD	LCD Display	17" (5:4)	19" (5:4)	21.5" (16:9)	24" (16:9)
	Max. Resolution	1280 (W) x 1024 (H)	1280 (W) x 1024 (H)	1920 (W) x 1080 (H)	1920 (W) x 1080 (H)
	Brightness (cd/m ²)	350	350	250	250
	Contrast Ratio	1000 : 1	1000 : 1	1000 : 1	3000 : 1
	LCD Color	16.7M	16.7M	16.7M	16.7M
	Pixel Pitch (mm)	0.26 x 0.26	0.294 x 0.294	0.25 x 0.25	0.28 x 0.28
	Viewing Angle (H-V)	170° / 160°	170° / 160°	170° / 160°	178° / 178°
	Backlight MTBF (Hrs)	50000	50000	30000	30000
Touchscreen & Controller		5-wire resistive single touch window/ Penmount 6000 2-point projected capacitive touch window/ EETI EXC7200		2-point projected capacitive touch window/ EETI EXC7200	2-point projected capacitive 2-point touch window/ EETI EXC7200
I/O Ports		1 x VGA (DB-15) 1 x DVI (F19A only) 1 x HDMI (F17A only) 1 x DisplayPort 1.1 1 x USB 2.0 (touch) 1 x RS-232 (reserved for resistive touch ATO) 1 x Lockable 9V-36V DC jack 1 x 9V-36V terminal block		1 x VGA (DB-15) 1 x HDMI 1 x DisplayPort 1.1 1 x USB 2.0 (touch) 1 x RS-232 (reserved for resistive touch ATO) 1 x Lockable 9V-36V DC jack 1 x 9V-36V terminal block	
OSD	OSD Button	7-key membrane OSD keypad			
	Smart OSD Software	Smart OSD Software			
Physical	Construction Material	Aluminum front frame and sheet metal rear cover			
	Mounting	Panel Mount/ Rack Mount/ 100 x 100 VESA Mount	Panel Mount / 100 x 100 VESA Mount	Panel Mount / 100 x 100 VESA Mount	Panel Mount / 100 x 100 VESA Mount
	Enclosure Color	Black C			
	Dimensions (mm)	341.4 x 408.4 x 49.3	372.4 x 447.4 x 49.57	358.4 x 550.4 x 49.1	382 x 600 x 49.4
	Cutout Dimensions (mm)	324 x 391	430 x 355	340 x 532	358.6 x 576.6
	Weight (kg) Net/ Gross	4.4 / 7.1	5.4 / 8.4	6.3 / 9.6	7.6 / 10.9
Environment	Operating Temperature (with air flow)	-20°C ~ 60°C		-10°C ~ 50°C	-10°C ~ 50°C
	Storage Temperature	-20°C ~ 70°C		-20°C ~ 60°C	-20°C ~ 60°C
	Humidity	10% to 95% (non-condensing)			
	IP Level	IP 65 compliant front panel			
	Safety and EMC	CE & FCC certified			
Power input		9V~36V DC			
Power consumption		9V @ 2.6A 36V @ 0.6A	9V @ 3.3A 36V @ 0.8A	9V @ 2.5A 36V @ 0.6A	9V @ 3.4A 36V @ 0.8A

- 1 IEIMobile Solutions
- 2 Automation Panel Solutions
- 3 Healthcare Panel PC Solution
- 4 Industrial System
- 5 O'Ring Network Communication
- 6 Automation Control
- 7 Optional Peripherals

Ordering Information

	PN	Description
6.5"	DM-F65A/R-R10	6.5" 800 cd/m ² high-luminance VGA LCD monitor with aluminum die casting front panel, black color, USB resistive touchscreen, R10
8"	DM-F08A/R-R10	8" 500 cd/m ² SVGA LCD monitor, Aluminum front panel, Black color, W/ USB resistive touch screen, 12V DC input, R10
12"	DM-F12A/R-R11	12" 600 cd/m ² XGA LCD monitor, aluminum front panel, black color, W/ USB resistive touchscreen, 9 ~36V DC input, R11
	DM-F12A/PC-R11	12" 600 cd/m ² XGA LCD monitor, aluminum front panel, black color, W/ USB projected capacitive touchscreen, 9 ~36V DC input, R11
15"	DM-F15A/R-R20	15" 450 cd/m ² XGA LCD monitor, Aluminum front panel, black color, W/ USB resistive touchscreen, 9 ~36V DC input, R20
	DM-F15A/PC-R20	15" 450 cd/m ² XGA LCD monitor, aluminum front panel, black color, W/ USB projected capacitive touchscreen, 9 ~36V DC input, R20
17"	DM-F17A/R-R11	17" 350 cd/m ² SXGA LCD monitor, aluminum front panel, black color, W/ USB resistive touchscreen, 9 ~36V DC input, R11
	DM-F17A/PC-R11	17" 350 cd/m ² SXGA LCD monitor, aluminum front panel, black color, W/ USB projected capacitive touchscreen, 9 ~36V DC input, R11
19"	DM-F19A/R-R10	19" 350 cd/m ² SXGA LCD monitor, aluminum die casting front panel, black color, W/ USB resistive touchscreen, 9 ~36V DC input, R10
	DM-F19A/PC-R10	19" 350 cd/m ² SXGA LCD monitor, aluminum die casting front panel, black color, W/ USB projected capacitive touchscreen, 9 ~36V DC input, R10
21.5"	DM-F22A/PC-R11	21.5" 250 cd/m ² FHD LCD monitor, aluminum front panel, black color, W/ USB projected capacitive touchscreen, 9 ~36V DC input, R11
24"	DM-F24A/PC-R10	24" 250 cd/m ² FHD LCD monitor, aluminum front panel, black color, W/ USB projected capacitive touchscreen, 9 ~36V DC input, R10

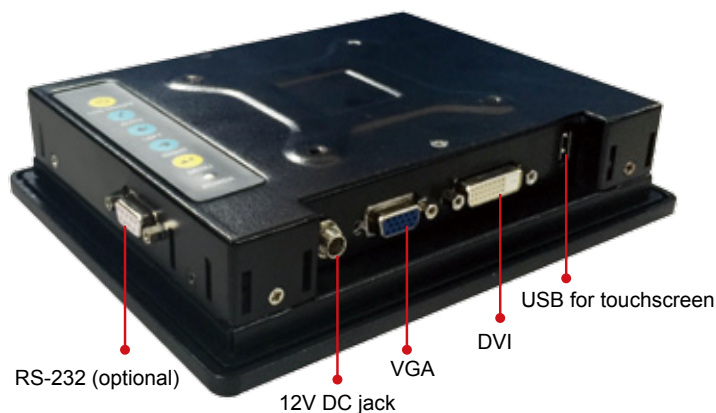
Options

Item	DM-F65A	DM-F08A	DM-F12A	DM-F15A	DM-F17A	DM-F19A	DM-F22A	DM-F24A
Arm	ARM-11-RS		ARM-11-RS	ARM-31-RS	ARM-31-RS	ARM-31-RS	ARM-31-RS	ARM-31-RS
Stand	STAND-B08		STAND-A12-RS STAND-C12-R10	STAND-A19-RS STAND-C19-R10 STAND-A21-R10	STAND-A19-RS STAND-C19-R10 STAND-A21-R10	STAND-A19-RS STAND-C19-R10 STAND-A21-R10	STAND-A19-RS STAND-C19-R10 STAND-A21-R10	STAND-A19-RS STAND-C19-R10 STAND-A21-R10
Wall Mount Kit	AFLWK-12			WK-190MS-R10				
Panel Mount Kit	FPK-04-R10		FPK-01-R10	FPK-01-R10	FPK-01-R10	FPK-02-R10	FPK-02-R10	FPK-03-R10
Rack Mount Kit	FRK65-R10	FRK08-R10	FRK12-R10	FRK15-R10	FRK17-R10	FRK19D-R10	N/A	N/A
Cable Cover	N/A	N/A	N/A	DM-F-CC01-R10	DM-F-CC01-R10	DM-F-CC02-R10	DM-F-CC02-R10	DM-F-CC02-R10
RS-232 Touch Cable Kit	DM-F-COMKIT-R10						N/A	N/A
HDMI Cable	N/A		32012-000100-200-RS	32012-000100-200-RS	32012-000100-200-RS	N/A	32012-000100-200-RS	32012-000100-200-RS
DisplayPort Cable	N/A		32004-000200-100-RS					
DVI Cable	32000-086600-RS		N/A	N/A	N/A	32200-086600-RS	N/A	N/A
Power Adapter	N/A		63040-010060-120-RS					

Packing List

Item	P/N	Q'ty	Description
Utility CD		1	Drivers and user manual
Touch Pen	43125-0002C0-00-RS (DM-F65A/F08A/F12A/F15A/F17A/F19A only)	1	Resistive touch only
USB Cable	32001-006100-100-RS	1	For touchscreen
VGA Cable	32000-036200-RS	1	
Power Adapter	63040-010036-121-RS (for DM-F65/08A)		

DM-F65A/08A Fully Integrated I/O



1
IEMobile
Solutions

2
Automation
Panel
Solutions

3
Healthcare
Panel PC
Solution

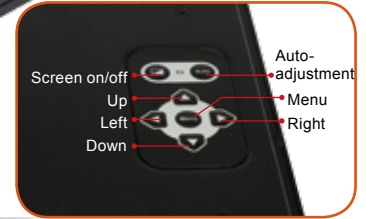
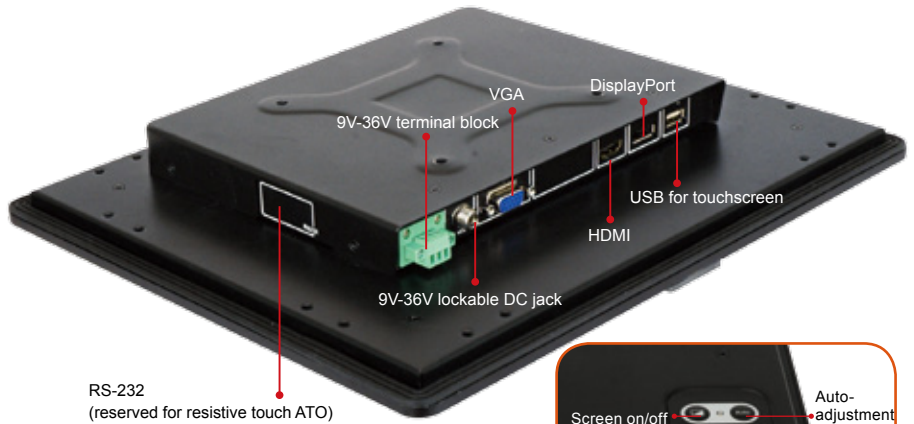
4
Industrial
System

5
ORing
Network
Communication

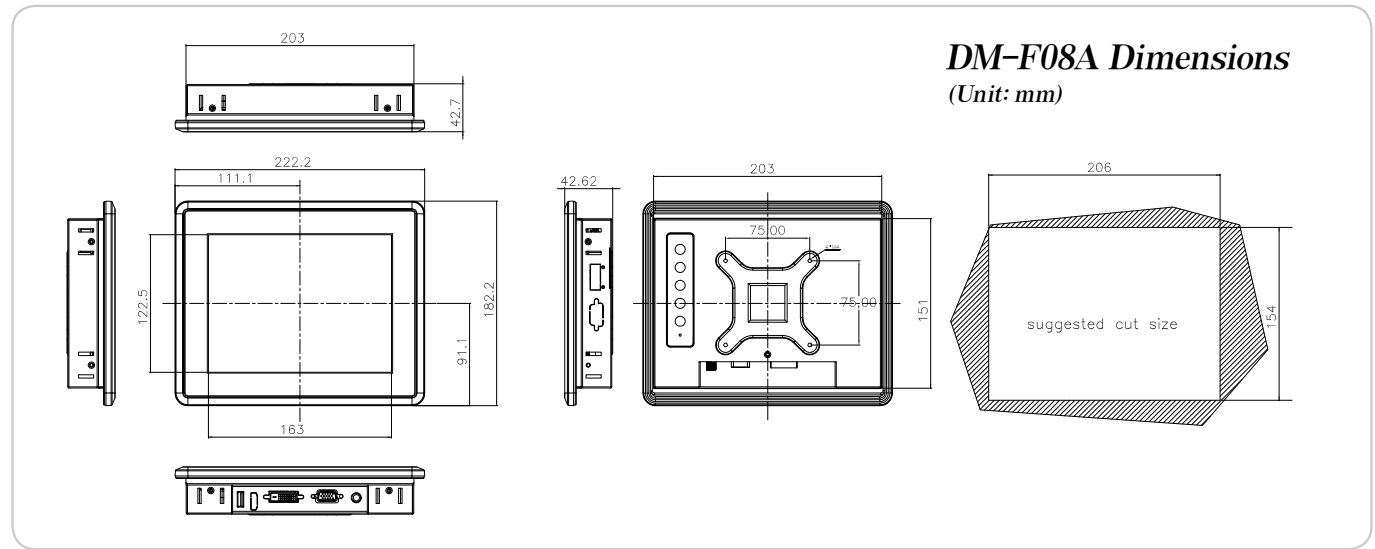
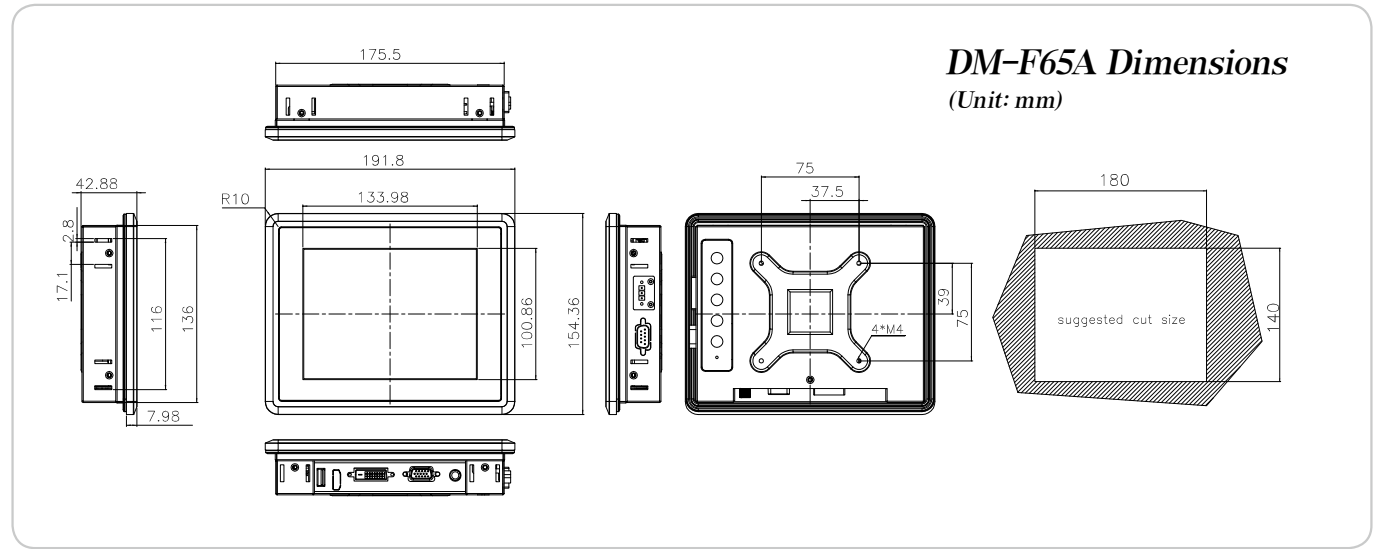
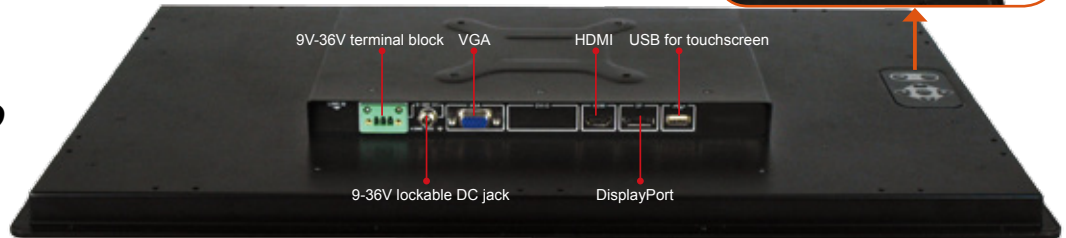
6
Automation
Control

7
Optional
Peripherals

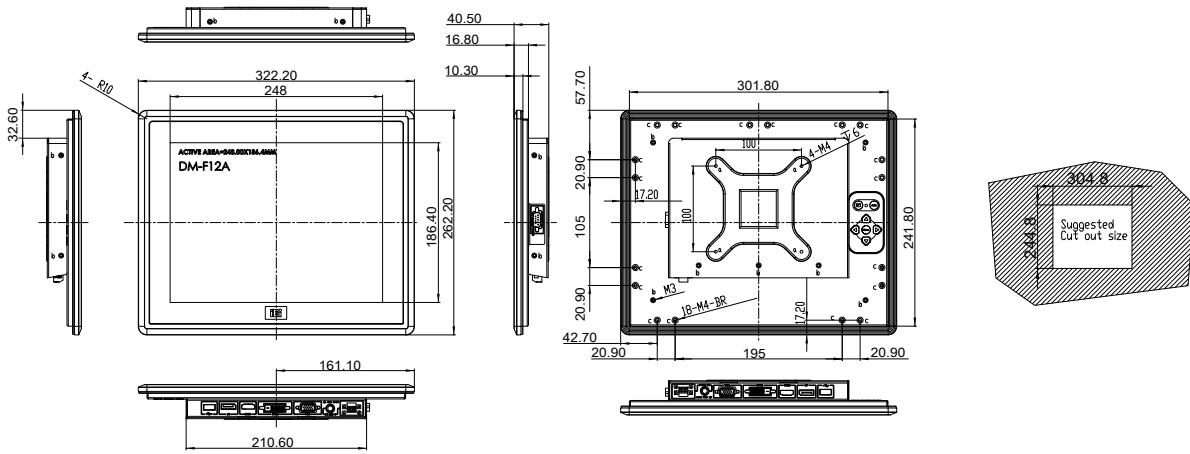
DM-F12A/F15A/F17A/F19A
Fully Integrated I/O



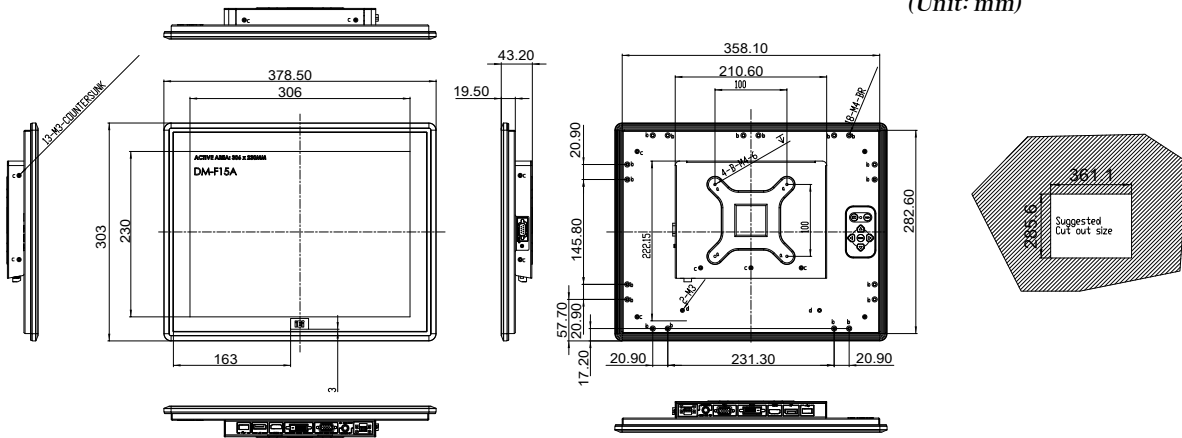
DM-F22A/F24A
Fully Integrated I/O



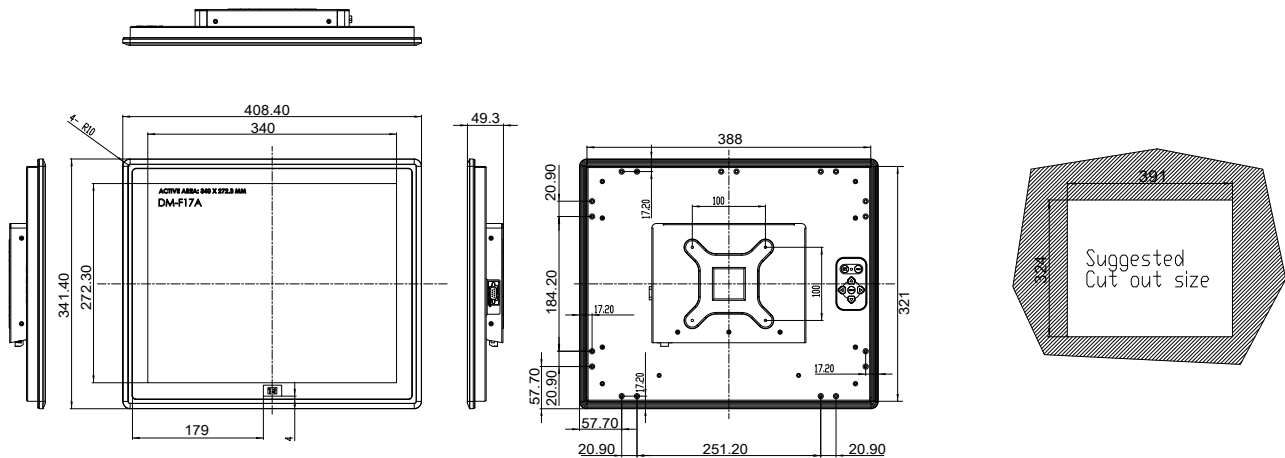
DM-F12A Dimensions
(Unit: mm)



DM-F15A Dimensions
(Unit: mm)



DM-F17A Dimensions
(Unit: mm)



1

IEIMobile Solutions

2

Automation Panel Solutions

3

Healthcare Panel PC Solution

4

Industrial System

5

ORing Network Communication

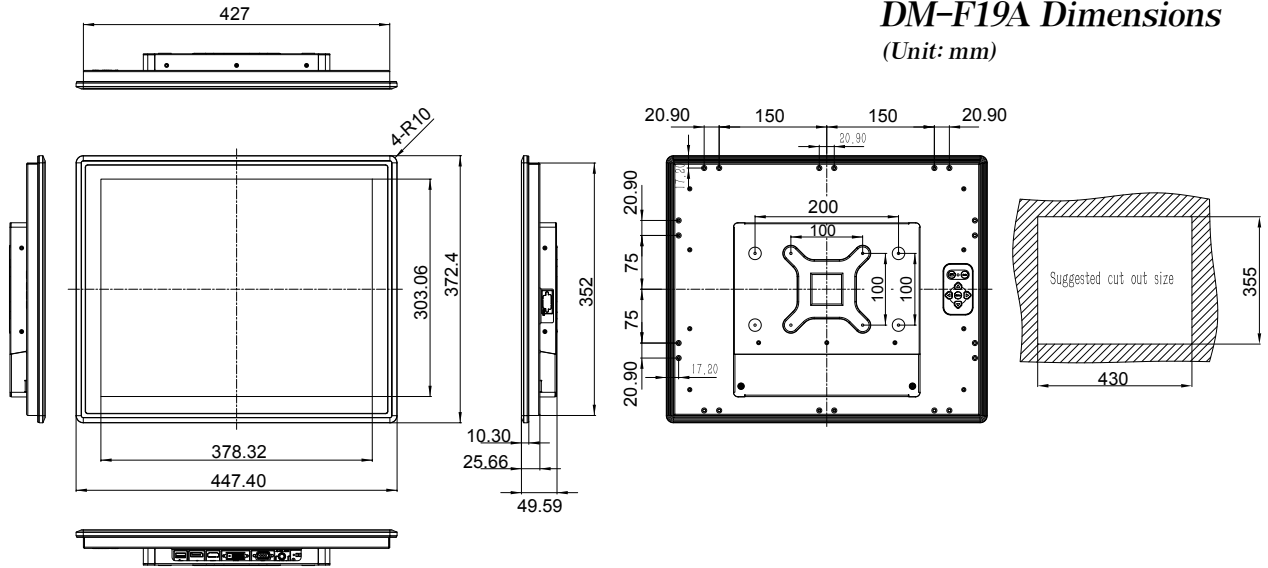
6

Automation Control

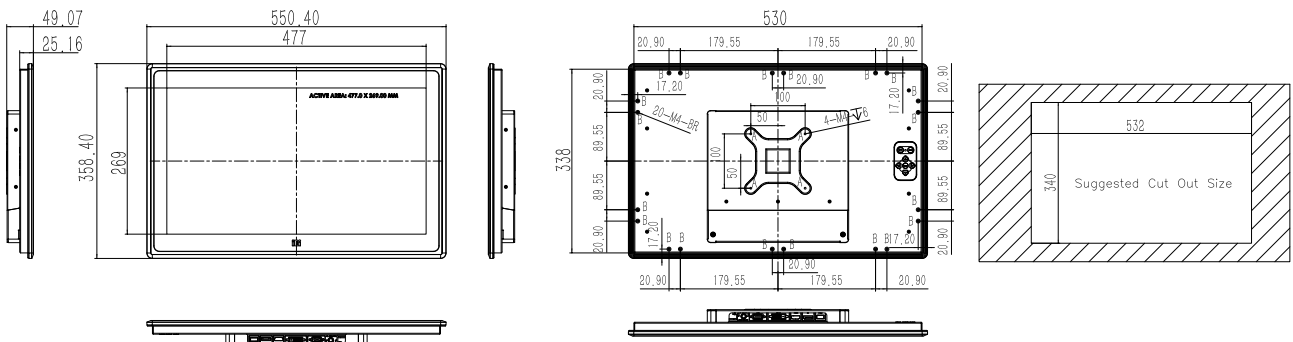
7

Optional Peripherals

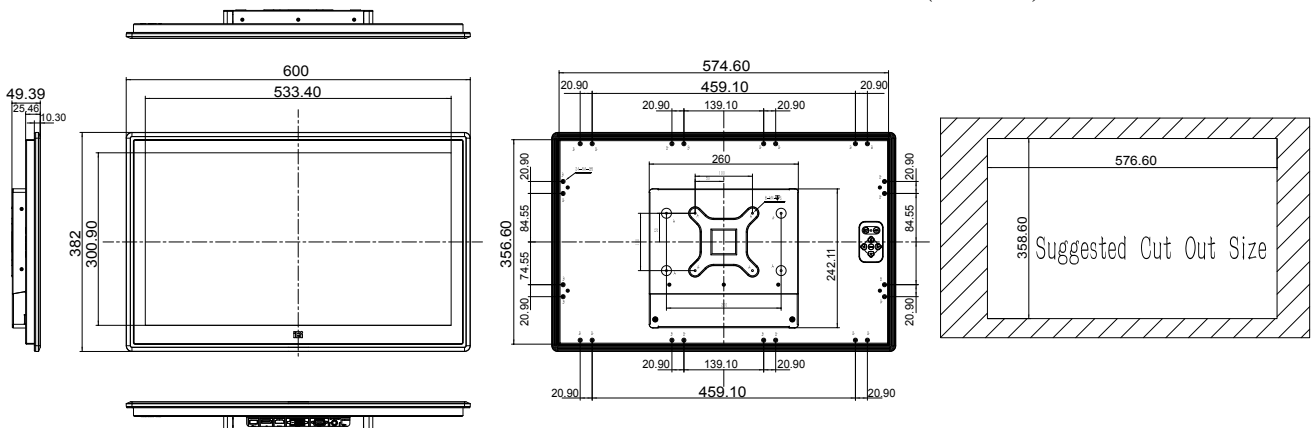
DM-F19A Dimensions
(Unit: mm)



DM-F22A Dimensions
(Unit: mm)



DM-F24A Dimensions
(Unit: mm)



1

IEIMobile Solutions

2

Automation Panel Solutions

3

Healthcare Panel PC Solution

4

Industrial System

5

ORing Network Communication

6

Automation Control

7

Optional Peripherals

LCD-KIT-F Series

Slim Open Frame Monitor

IEI LCD monitor series is designed for system manufacturers, integrators, or value-added resellers that want to provide all the performance, quality and reliability of an LCD display solution at a cost effective price. The open front panel can be combined with any front bezel design, and makes installation easier and efficient, which is ideal for various embedded markets.

Features

- 12.1"~19" open frame architecture for embedded integration
- Over 350cd/m² high brightness and 50000hrs MTFB long lifetime panel
- Analog VGA or digital DVI interfaces support most of general systems
- Various touch panel solution : Resistive / Resistive touch windows / PCAP multi-touch
- Optional 9-36V DC module
- -20°C~60°C extended operating temperature
- Support software OSD for remote control applications



Automated Parking System



Machine Automation



Vending Machine



Kiosk

1

IEIMobile Solutions

2

Automation Panel Solutions

3

Healthcare Panel PC Solution

4

Industrial System

5

ORing Network Communication

6

Automation Control

7

Optional Peripherals

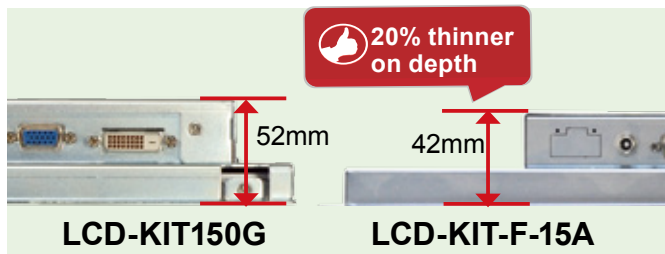
Wide Temperature Support

Support -20°C~60°C wide range temperature
Ideal for outdoor or semi-outdoor applications



Slim Design

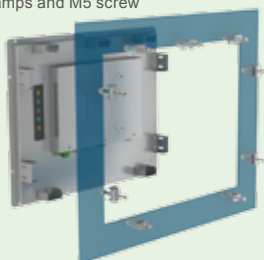
Slim design, 20% thinner than LCD-KIT series



Flexible Mounting Support

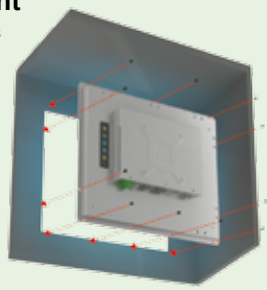
Panel Mount

- With clamps and M5 screw



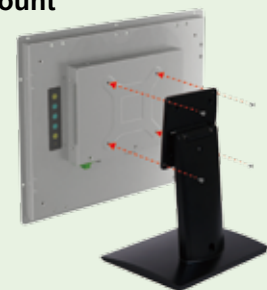
Rear Mount

- M3 screw holes



VESA Mount

- VESA 100



Clean Room


The LCD-KIT-F series can be shipped with touchscreen bonded or separated. Air-bonding method will be taken for Air Bonding resistive type or capacitive type touchscreen. IEI Integration Corp. has a Class 10,000 LCD clean room with ISO certification. It brings add-on value, cost efficiency and higher quality to our products.

Control room particle measure result: Class 10000




Various Touch and Power Options

LCD-KIT-F




12" to 19"

Touch Screen




Resistive Touch screen

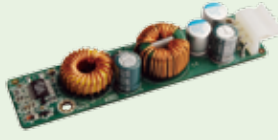


PCAP, Resistive Touch window

Power Input



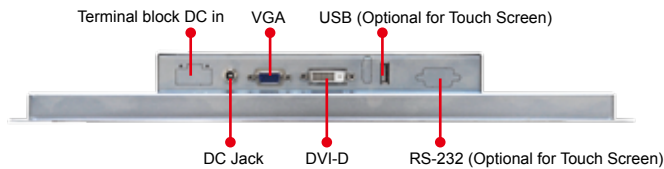
12V DC (default)



9-36V DC (optional)

Product Line	LCD-KIT-F Series
LCD Size	12.1"~19"
Input Signal Interface	VGA+DVI-D
Brightness (cd/m ²)	350~600
DC Input	12VDC or 9~36VDC
Touch Screen	Resistive touch screen/Resistive touch window/PCAP touch screen
IEI samrtOSD	Yes

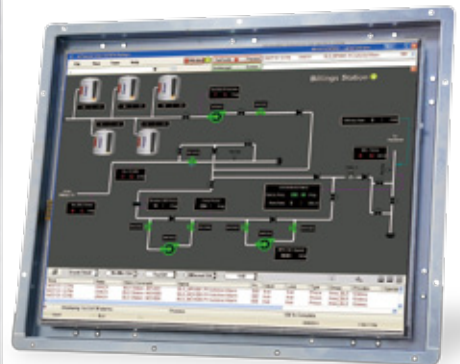
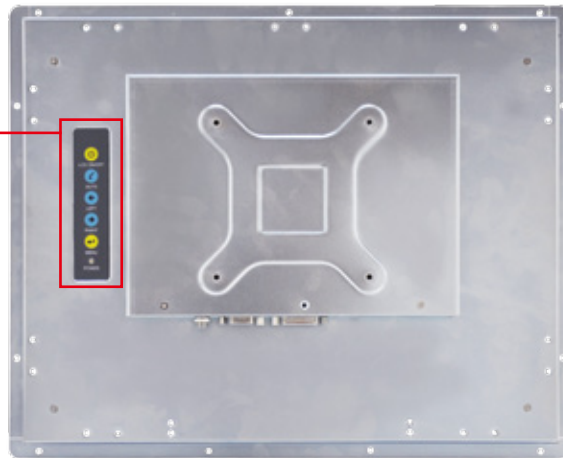
I/O Interface



OSD Keypad



- LCD on/off
- Auto-adjust / ESC
- Left
- Right
- Menu/Select
- Power Indicator



- 1 IEMobile Solutions
- 2 Automation Panel Solutions

- 3 Healthcare Panel PC Solution

- 4 Industrial System

- 5 ORing Network Communication

- 6 Automation Control

- 7 Optional Peripherals



Specifications

Model	LCD-KIT-F12A	LCD-KIT-F15A	LCD-KIT-F17A	LCD-KIT-F19A
LCD Size	12.1"	15"	17"	19"
Resolution	1024 x 768	1024 x 768	1280 x 1024	1280 x 1024
Brightness (cd/m ²)	600	450	350	350
Contrast Ratio	700:1	800:1	800:1	1000:1
Display Color	16.2M	16.2M	16.7M	16.7M
Pixel Pitch (mm)	0.24	0.297	0.264	0.294
Viewing Angle (H/V)	160°/140°	160°/150°	170°/160°	170°/160°
Input Interface	Analog VGA, DVI-D, RS-232/USB (for Touch)			
Touchscreen & controller	Resistive type 5-wire single touch / Penmount 6000 or Projected capacitive 2-point touch / EETI EXC7200 (Assembly by adhesive tape)			
OSD Function	5-key OSD			
smartOSD	Yes			
Dimensions (W x H x D) (mm)	323.8 x 263.8 x 40.3	380.1 x 304.6 x 43.2	410 x 343 x 49.4	449 x 374 x 49.45
Net Weight (Net/Gross)	1.9 kg/2.3 kg	2.6 kg/3.1 kg	3.3 kg/4.1 kg	4.3 kg/6.2 kg
Operating Temperature	-20°C~60°C			
Storage Temperature	-20°C~70°C			
Humidity	10% ~ 95% (non condensing)			
Input Voltage	12VDC			
Construction Material	sheet metal rear cover SPCC			
Mounting	Panel Mount, Rear Mount, VESA 100			

Ordering Information

P/N	Description
LCD-KIT-F12A-R10	12.1" 600 cd/m ² XGA open frame monitor, VGA and DVI-D input, R10
LCD-KIT-F15A-R10	15" 450 cd/m ² XGA open frame monitor, VGA and DVI-D input, R10
LCD-KIT-F17A-R10	17" 350 cd/m ² SXGA open frame monitor, VGA and DVI-D input, R10
LCD-KIT-F19A-R10	19" 350 cd/m ² SXGA open frame monitor, VGA and DVI-D input, R10

Resistive Touch

P/N	Description
LCD-KIT-F12A/R-R10	12.1" 600 cd/m ² XGA open frame monitor, VGA and DVI-D input, Resistive touch screen RS-232/USB interface,R10
LCD-KIT-F15A/R-R10	15" 450 cd/m ² XGA open frame monitor, VGA and DVI-D input, Resistive touch screen RS-232/USB interface,R10
LCD-KIT-F17A/R-R10	17" 350 cd/m ² SXGA open frame monitor, VGA and DVI-D input, Resistive touch screen RS-232/USB interface,R10
LCD-KIT-F19A/R-R10	19" 350 cd/m ² SXGA open frame monitor, VGA and DVI-D input, Resistive touch screen RS-232/USB interface,R10

Flat Resistive Touch

P/N	Description
LCD-KIT-F12A/TW-R10	12.1" 600 cd/m ² XGA open frame monitor, VGA and DVI-D input, Resistive touch window RS-232/USB interface,R10
LCD-KIT-F15A/TW-R10	15" 450 cd/m ² XGA open frame monitor, VGA and DVI-D input, Resistive touch window RS-232/USB interface,R10
LCD-KIT-F17A/TW-R10	17" 350 cd/m ² SXGA open frame monitor, VGA and DVI-D input, Resistive touch window RS-232/USB interface,R10
LCD-KIT-F19A/TW-R10	19" 350 cd/m ² SXGA open frame monitor, VGA and DVI-D input, Resistive touch window RS-232/USB interface,R10

Flat P-CAP Touch

P/N	Description
LCD-KIT-F12A/PC-R10	12.1" 600 cd/m ² XGA open frame monitor, VGA and DVI-D input, Projected capacitive touch window USB interface,R10
LCD-KIT-F15A/PC-R10	15" 450 cd/m ² XGA open frame monitor, VGA and DVI-D input, Projected capacitive touch window USB interface,R10
LCD-KIT-F17A/PC-R10	17" 350 cd/m ² SXGA open frame monitor, VGA and DVI-D input, Projected capacitive touch window USB interface,R10
LCD-KIT-F19A/PC-R10	19" 350 cd/m ² SXGA open frame monitor, VGA and DVI-D input, Projected capacitive touch window USB interface,R10

9~36VDC Module

P/N	Description
LCD-KIT-F-936160-R10	60W DC/DC 9~36V input 12V output power kit, R10



Options

Description	Part Number
RS-232 cable (for Touch)	32005-001100-200-RS
DVI cable	32000-086600-RS
Panel mount kit	FPK-01-R10 (LCD-KIT-F-12A/LCD-KIT-F-15A)
	FPK-02-R10 (LCD-KIT-F-17A/LCD-KIT-F-19A)

Packing List

Item	P/N	Q'ty
AC power cable		1
VGA cable	32000-036200-RS	1
USB cable (for Touch)	32001-006100-200-RS	1
AC power adapter	63040-010036-121-RS	1
Utility CD		1

1

IEIMobile Solutions

2

Automation Panel Solutions

3

Healthcare Panel PC Solution

4

Industrial System

5

ORing Network Communication

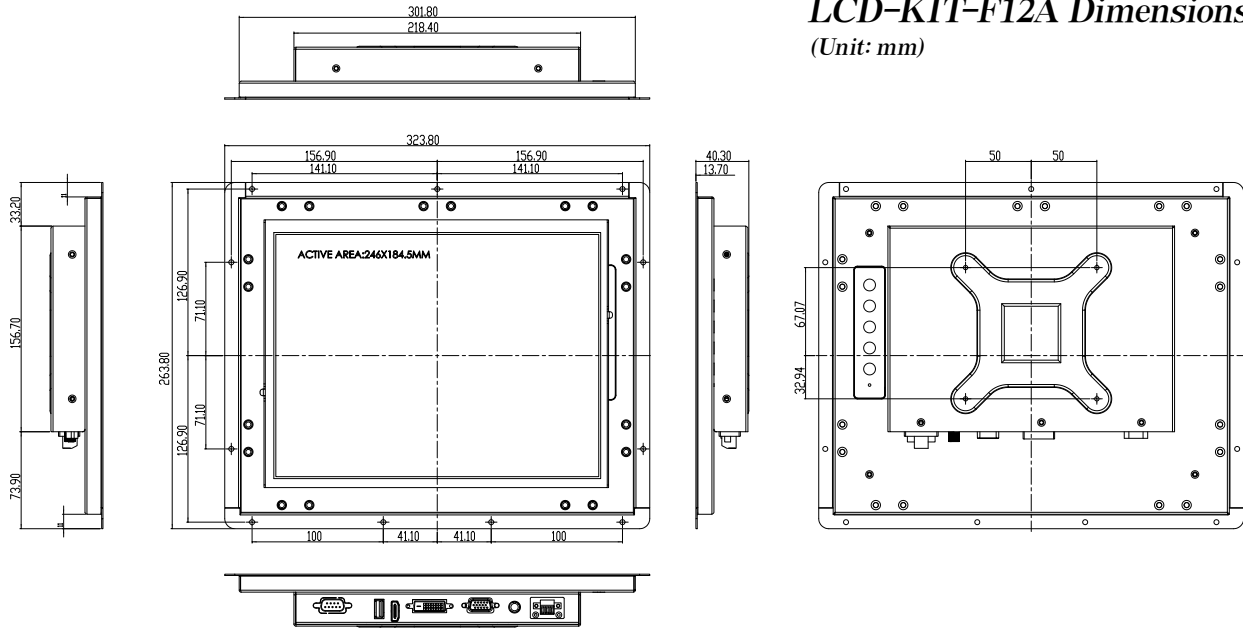
6

Automation Control

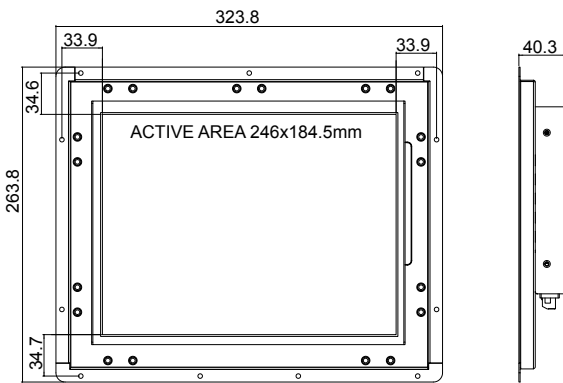
7

Optional Peripherals

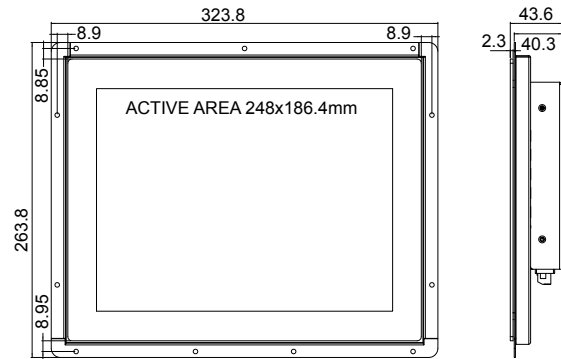
LCD-KIT-F12A Dimensions
(Unit: mm)



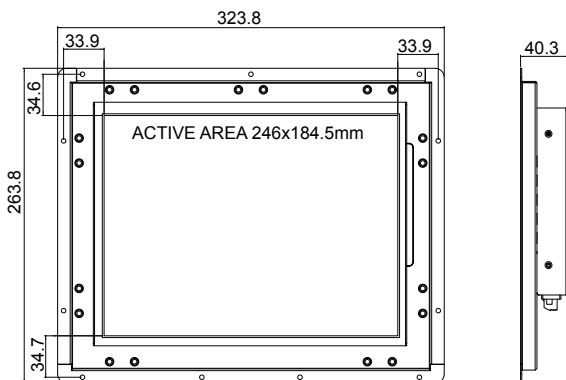
LCD-KIT-F12A-R10 Dimensions
(Unit: mm)



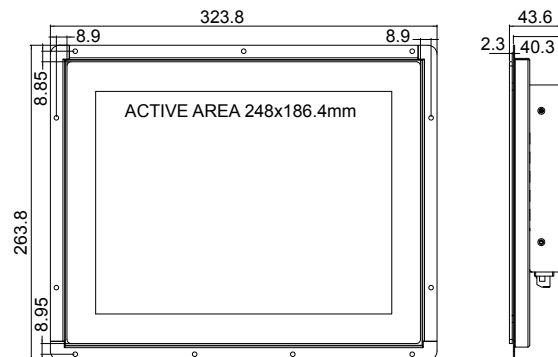
LCD-KIT-F12A/PC-R10 Dimensions
(Unit: mm)

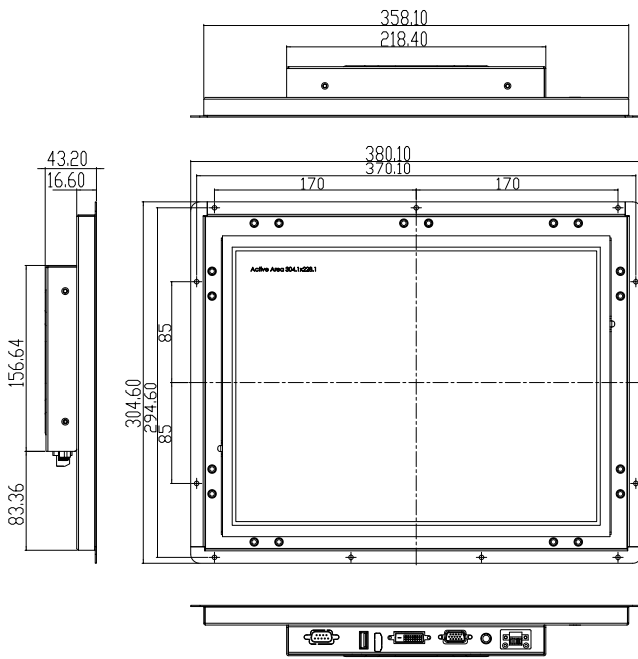


LCD-KIT-F12A/R-R10 Dimensions
(Unit: mm)

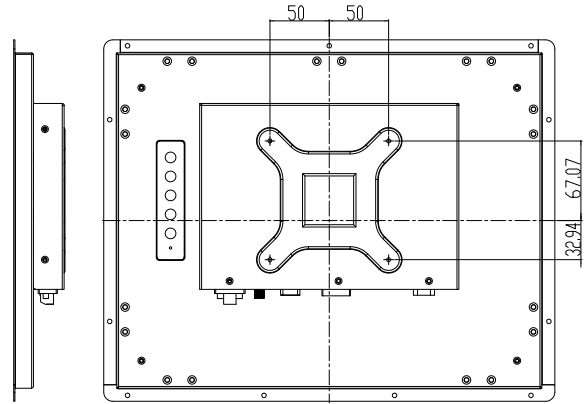


LCD-KIT-F12A/TW-R10 Dimensions
(Unit: mm)

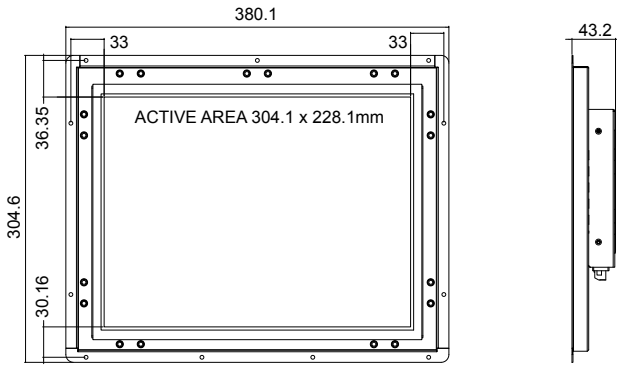




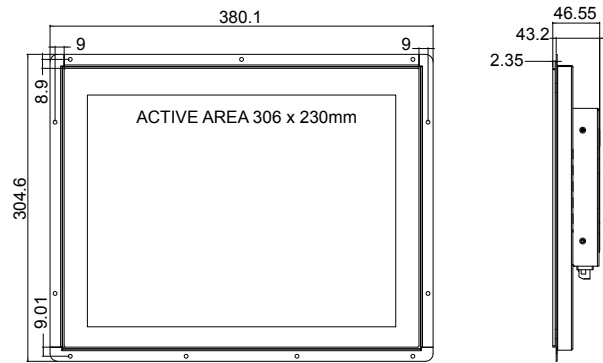
LCD-KIT-F15A Dimensions
(Unit: mm)



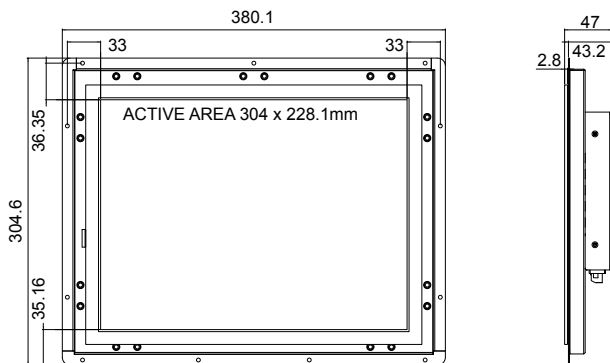
LCD-KIT-F15A-R10 Dimensions
(Unit: mm)



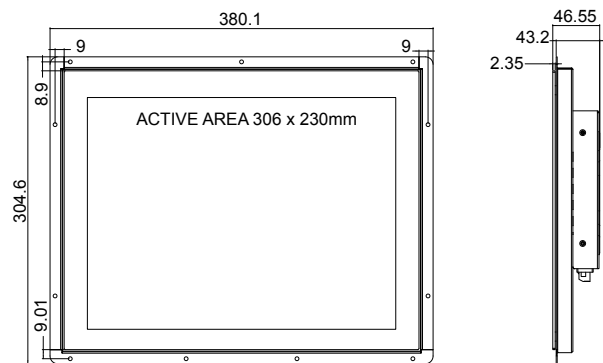
LCD-KIT-F15A/PC-R10 Dimensions
(Unit: mm)



LCD-KIT-F15A/R-R10 Dimensions
(Unit: mm)



LCD-KIT-F15A/TW-R10 Dimensions
(Unit: mm)



1

IEIMobile Solutions

2

Automation Panel Solutions

3

Healthcare Panel PC Solution

4

Industrial System

5

ORing Network Communication

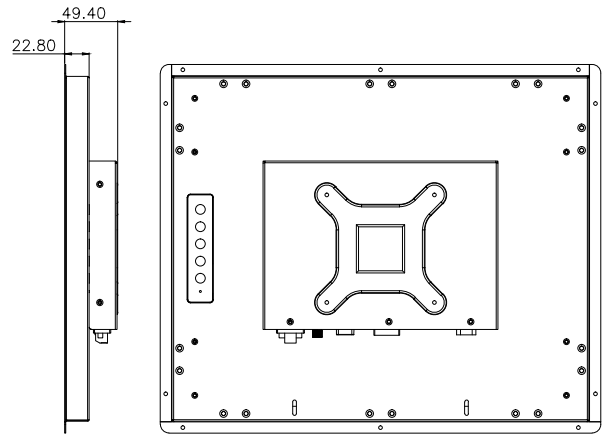
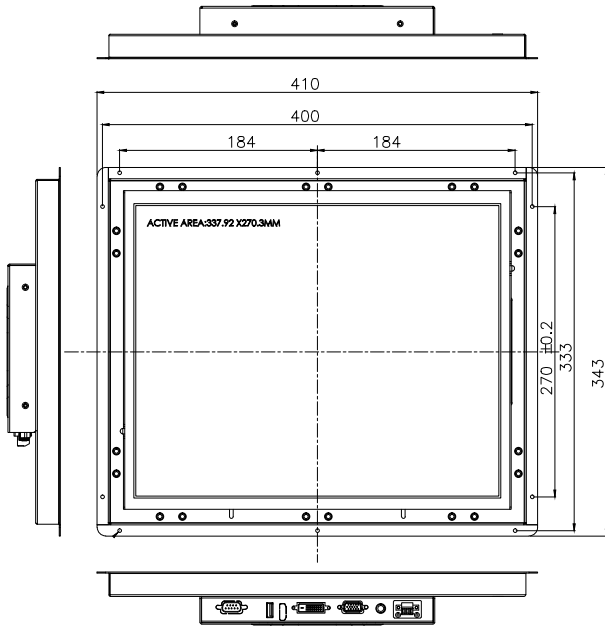
6

Automation Control

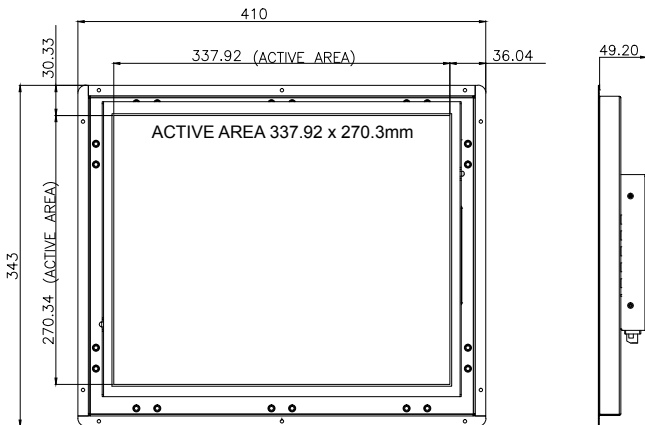
7

Optional Peripherals

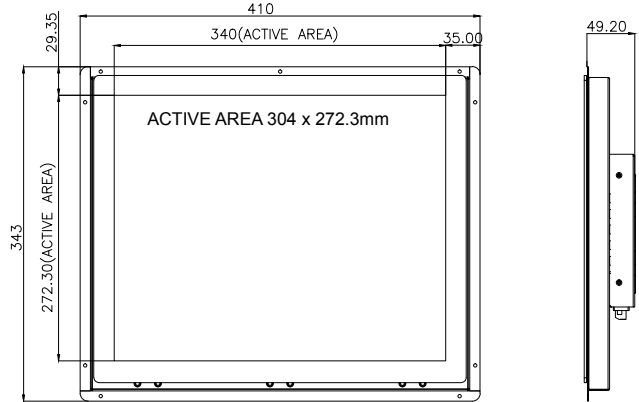
LCD-KIT-F17A Dimensions
(Unit: mm)



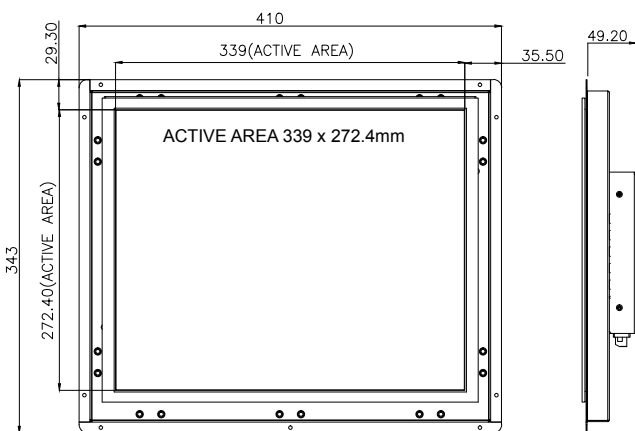
LCD-KIT-F17A-R10 Dimensions
(Unit: mm)



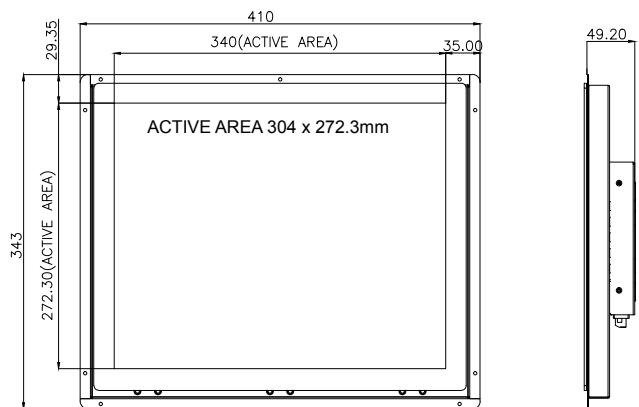
LCD-KIT-F17A/PC-R10 Dimensions
(Unit: mm)



LCD-KIT-F17A/R-R10 Dimensions
(Unit: mm)



LCD-KIT-F17A/TW-R10 Dimensions
(Unit: mm)



1

IEIMobile Solutions

2

Automation Panel Solutions

3

Healthcare Panel PC Solution

4

Industrial System

5

ORing Network Communication

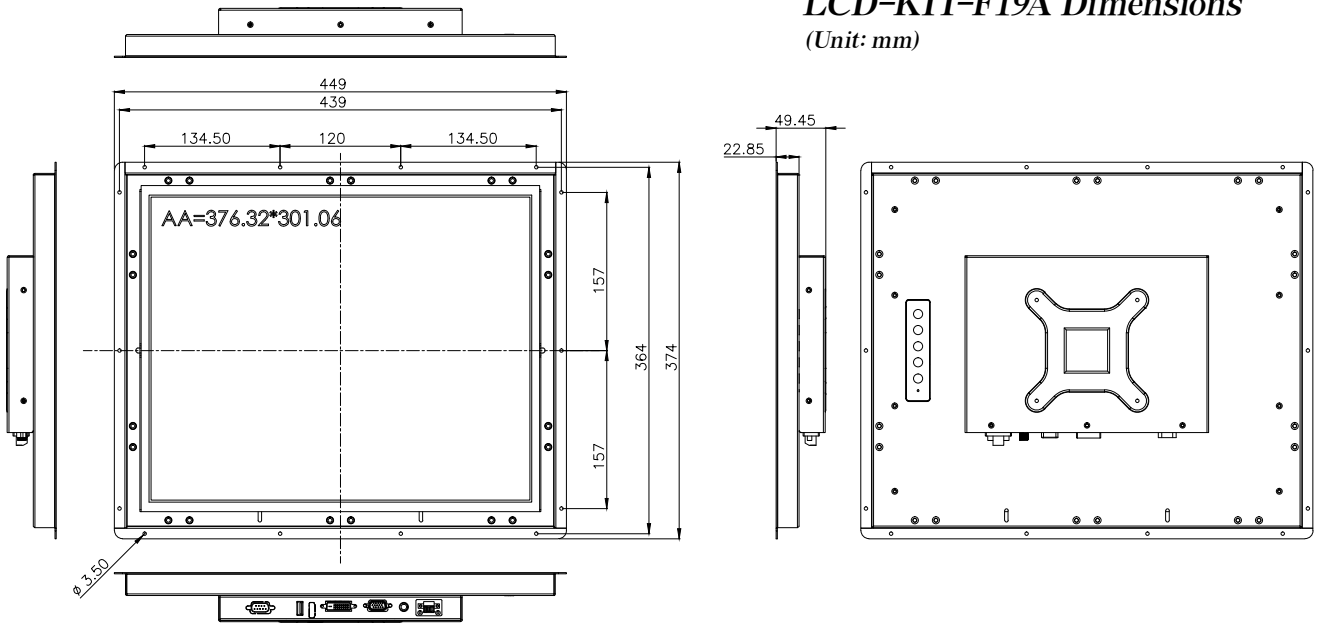
6

Automation Control

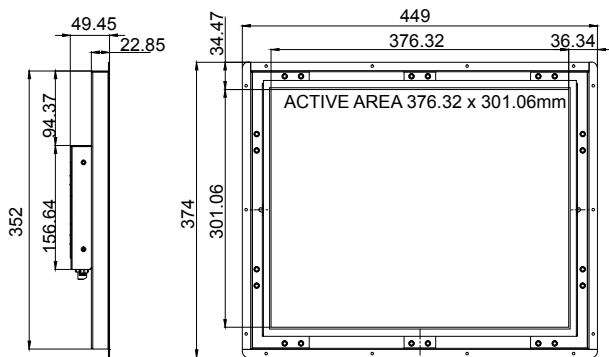
7

Optional Peripherals

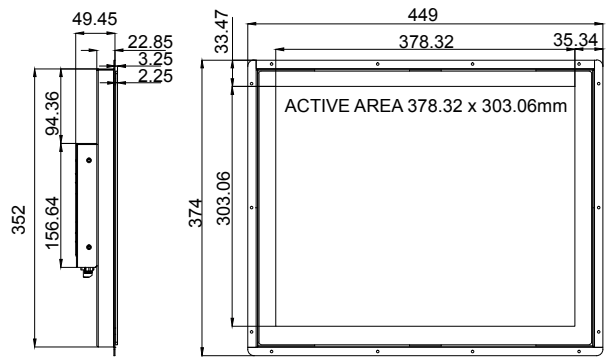
LCD-KIT-F19A Dimensions
(Unit: mm)



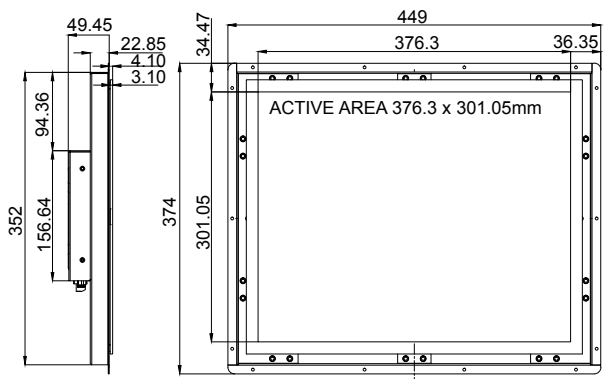
LCD-KIT-F19A-R10 Dimensions
(Unit: mm)



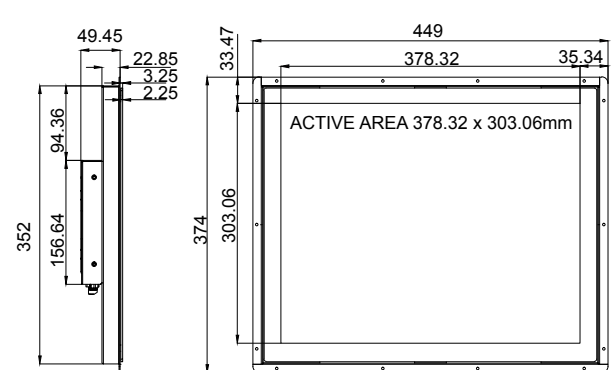
LCD-KIT-F19A/PC-R10 Dimensions
(Unit: mm)



LCD-KIT-F19A/R-R10 Dimensions
(Unit: mm)



LCD-KIT-F19A/TW-R10 Dimensions
(Unit: mm)



Robot-TP-84M 8.4" Teaching Pendant

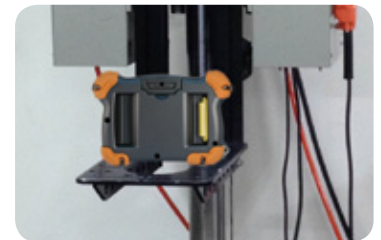
Features

- **8.4" control terminal, easy to use**
 - 350 nits high luminance control terminal with touchscreen to present its graphical user interface.
 - 6-meter long all-in-one cable allows easy installation
 - Ergonomic body design, easy to operate
- **Durable construction**
 - Completely dust and splash proof (IP 64) design
 - 1 meter drop resistance
 - 0°C~50°C extended operating temperature
- **Emergency stop**
- **3-position dead-man switch**
- **Mode select switch with key**



■ Durable construction

Fully IP 64 waterproof protection: prevent damage from oil and gas.



Pass the 1 m drop test.

■ Emergency Buttons

(1) 3-position (OFF-ON-OFF) enabling switch

- Ergonomically-designed OFF-ON-OFF operation.
- Easy recognition of position 1 to 2 transition is made possible by a snap action switch.
- Sufficient difference in operating force is provided for shifting from position 2 to 3.

(2) Emergency stop

- Emergency stop switch can be reset either by pulling or turning.

(3) Key switch

- Manual / Auto / Teach mode select with key.



Pull to reset



Turn to reset



■ Allows hours of fatigue-free working

- Adopts strap design to reduce user fatigue.
- Allows the operator to release the hands to do other jobs.
- Greatly enhance the efficiency of the operator.



Handheld front view



Handheld side view



Stably placed on the table

1

IEIMobile Solutions

2

Automation Panel PC Solutions

3

Healthcare Panel PC Solution

4

Industrial System

5

ORing Network Communication

6

Automation Control

7

Optional Peripherals

Friendly HMI operator interface (Optional)

Intuitive function menu



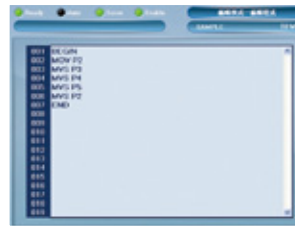
Convenient to switch between function menus

Manual control mode



Include three motion modes and two coordinate modes for users to save information without hassles

Programming interface



Simple programming interface allowing users to edit robot motion paths

Automatic execution



Run the programmed commands automatically. The cyclic operation mode is also supported.

System alarm



Record alarm logs to understand the robot operation status

External I/O status



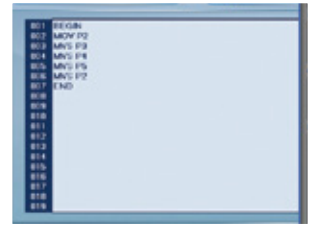
Visualize the operation status of all 64 inputs and 64 outputs

Virtual keyboard



Virtual keyboard eases data input

Online help



Online FAQ and help center

1
IEIMobile
Solutions

2
Automation
Panel
Solutions

3
Healthcare
Panel PC
Solution

4
Industrial
System

5
ORing
Network
Communication

6
Automation
Control

7
Optional
Peripherals

Key switch
(manual, automatic, teach)

Emergency stop button
(dual circuit)

Rubber edge protectors

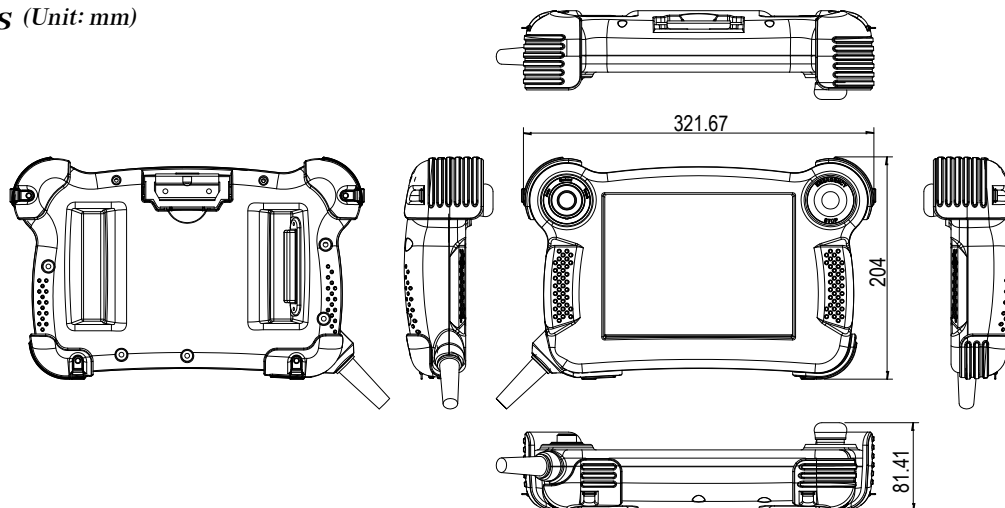
2-contact 3-position
(OFF-ON-OFF) enabling switch with rubber boot

Mobile Display

Hook

Non-slip
Design

Dimensions (Unit: mm)



Specifications

Item		Robot-TP-84M
Display	LCD Size	8.4"
	Max Resolution	800(W) x 600 (H)
	Brightness (cd/m ²)	350
	Contrast Ratio	600:1
	LCD Color	262k
	Pixel Pitch (mm) (HxV)	0.207 x 0.207
	Viewing Angle (V/H)	130 / 150
	LED backlight MTBF	50000 hrs
Touch Screen		Resistive Touch Screen
I/O Interface	Video Input	VGA
	Touch Interface	RS-232
	Power Source	12VDC Input
OSD Control		Software OSD
Operating Temperature		0°C~50°C
Storage Temperature		- 20°C ~ 65°C
Humidity		< 90% RH (no condensation allowed)
Physical	Housing	ABS+PC
	Dimensions (LxWxH mm)	321.67 x 204 x 81.41
	Weight (G/W, N/W)	3.25kg / 4.2 kg
	IP Rating	6-side IP64 Waterproof
	Color	Black
Cable Length		6 meter (12V DC/VGA/USB)
Vibration		MIL-STD-810F 514.5C-1 Vibration Testing Procedures
Drop Survival		1m (38 inch) 4 corner ,2 sides
Power Consumption		6W

Ordering Information

Part	Description
Robot-TP-84M/K-ML-R20	8.4" 250cd/m ² SVGA TFT LCD teach pendant with touch screen, key switch, 3-position dead-man switch, emergency button, 37-pin military connector, R20
Robot-TP-84M/K-R20	8.4" 250cd/m ² SVGA TFT LCD teach pendant with touch screen, key switch, 3-position dead-man switch, emergency button, R20



37-pin Military Connector Pinout Locations

Pin no.	Description	Pin no.	Description
1	Key SW. - Manual	20	RS-232 – SOUT
2	EMG2	21	--
3	EMG1	22	RS-232 – RTS
4	--	23	--
5	RS-232 - GND	24	--
6	--	25	--
7	RS-232 - chassis	26	GND
8	--	27	DDC – DAT
9	-(N)	28	DDC CLOCK
10	--	A	R (Red+)
11	--	B	GND (Red-)
12	+(P)	C	G (Green+)
13	3 SW.2	D	GND (Green-)
14	3 SW.1	E	B (Blue+)
15	Key SW. - Teach	F	GND (Blue-)
16	+12V	G	VSYNC
17	GND	H	HSYNC
18	--	J	Copper Shielding Mesh
19	RS-232 – SIN		

Packing List

Item	Q'ty	Remark
Belt	1	
Key	1	Robot-TP-84M/K Robot-TP-84M/K-ML
Touch Pen	1	
Utility CD	1	

1

IEIMobile Solutions

2

Automation Panel Solutions

3

Healthcare Panel PC Solution

4

Industrial System

5

ORing Network Communication

6

Automation Control

7

Optional Peripherals

Robot-TP-65M 6.5" Teaching Pendant

Features

- 6.5" control terminal, easy to use**
 - 800 nits high luminance control terminal with touchscreen to present its graphical user interface.
 - 6-meter long all-in-one cable allows easy installation
 - Ergonomic body design, easy to operate
- Durable construction**
 - Completely dust and splash proof (IP 64) design
 - 1 meter drop resistance
 - 0°C~50°C extended operating temperature
- Programming with 33-key membrane keypad and safety functions**
 - Emergency stop, 3-position dead-man switch, mode select switch with key



Robot Controller



Mobile Display

1

IEIMobile Solutions

2

Automation Panel Solutions

3

Healthcare Panel PC Solution

4

Industrial System

5

ORing Network Communication

6

Automation Control

7

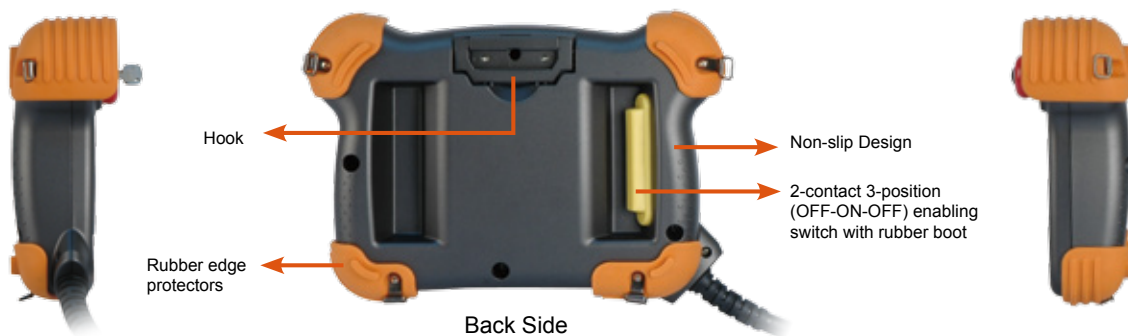
Optional Peripherals

Optimized keyboard layouts

Taking advantage of both real buttons the interface is straightforward for all users.



Equally suitable for right- or left-handed operation



Back Side

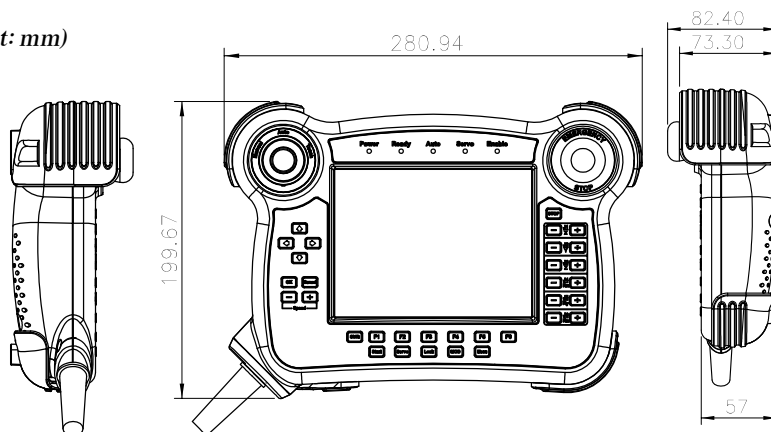
Specifications

Model		Robot-TP-65M
Display	LCD Size	6.5"
	Max Resolution	640 (W) x 480 (H)
	Brightness (cd/m ²)	800
	Contrast Ratio	600:1
	LCD Color	262k
	Pixel Pitch (mm) (HxV)	0.207 x 0.207
	Viewing Angle (V/H)	140°/160°
	MTBF	50,000 hrs (LED backlight)
LED Indicator		5 LEDs (Power , Ready, Auto, Servo, Enable)
Touch Controller		Penmount DMC6000
IO Interface	Video Input	VGA
	Touch Interface	RS-232
	Power Source	12VDC Input
	Keypad Control Interface	PS/2
OSD Control		Software OSD
Operating	Switches & keys	Switches: Emergency stop, 3-position dead-man switch, Mode select switch with key Keys: Moving direction, OK, Cancel, Speed (-/+), Shift, Function (F1-F6), Start, Servo, Lock, MOD , Menu, Stop, Cursor
	Touch Panel	4-wire resistive type touch panel
Emergency Stop Button		For B contacts, 4 circuit outputs (forced disjunction type)
Deadman switch (Enable switch)		3-position type (OFF-ON-OFF), 2 circuit outputs
Mode Selection Switch		3-position (AUTO, MANUAL, TEACHCHECK), keylock switch. (switchable only with the key inserted)
Operating Temperature		0°C~50°C
Storage Temperature		-25°C~65°C
Humidity		<90% RH (no condensation allowed)
Vibration		Meet MIL-STD-810F
Drop Survival		1m (38 inch) 4 corners, 2 sides
Physical	Housing	ABS+PC
	Dimensions (LxWxH) (mm)	281 x 200 x 83
	Weight (N/W)	3.32kgs
	IP Rating	6-side IP 64 waterproof
	Color	Pantone 569C
Cable Length		8 meter
Power Consumption		6.6W

Ordering Information

Part	Description
Robot-TP-65M/K-ML-R20	6.5" 800cd/m ² VGA TFT LCD teach pendant with touch screen, key switch, 3-position dead-man switch, emergency button, 37-pin military connector, R20
Robot-TP-65M/K-R20	6.5" 800cd/m ² VGA TFT LCD teach pendant with touch screen, key switch, 3-position dead-man switch, emergency button, R20

Dimensions (Unit: mm)



1

IEIMobile Solutions

2

Automation Panel Solutions

3

Healthcare Panel PC Solution

4

Industrial System

5

ORing Network Communication

6

Automation Control

7

Optional Peripherals

Marine Monitor Series

S19M

19" IP66 Marine Monitors

S24M

24" IP66 Marine Monitors



Features

- **IP66 Front / IP22 Rear**
- **-15°C ~ +55°C Wide Temperature and Flat-bezel Projected Capacitive Touchscreen**
- **Excellent Visual Performance**
 - Full OSD function configuration
 - 0%~100% full range dimming
 - 178°/178° wide viewing angles
- **Multiple Video Input**
 - Two VGA, two DVI, and one BNC
- **Multiple Video Output**
 - One VGA and one BNC
- **Dual Isolated AC/DC Input with Redundant Power Protection**
- **Remote OSD Settings through LAN, RS-232, RS-422 and RS-485**



Specifications

Model		S19M	S24M
LCD	LCD Size	19"	24"
	Panel Type	PMVA	AMVA
	Max Resolution	1280 x 1024 (5:4)	1920 x 1080 (16:9)
	Contrast Ratio	2000 : 1	5000 : 1
	Brightness (cd/m ²)	300	300
	LCD Color	16.7M	16.7M
	Pixel Pitch (um)	294 x 294	276.75 x 276.75
	Viewing Angles (H-V)	178° / 178°	178° / 178°
	Backlight MTBF (HRs)	50000	50000
Scalar Chip		STDP8028	
I/O Ports		<ul style="list-style-type: none"> • DVI-D Signal Input: 2 x DVI (24-pin, female) • VGA Signal Input: 2 x D-sub (15-pin, female) • VGA Signal Output: 1 x D-sub (15-pin, female) - Clone of VGA IN* • Composite Video Input: 1 x BNC connector (Female) • Composite Video Output: 1 x BNC connector (Female) • RS-232/422/485 for Remote Control (Non-isolated) • Touchscreen: 1 x USB Type A Connector (Female) • Ethernet: 1 x RJ-45 Connector for Remote Control • Isolated AC Power Inlet: 100V~240V AC • Isolated DC Terminal Block: 18V~36V DC • 1 x Buzzer 	
PIP		Yes	
OSD Button		P-CAP Button (LCD on/off, Menu, Auto, Up, Down, Left, Right)	
LED/Sensor		Ambient light sensor (0%~100%)	
Power Requirement		Multi-power Supply: Isolated AC Power: 100-240V, 2-1A, 50-60Hz Isolated DC Power: 18-36V, 8-4A	
Operating Temperature		-15°C ~ 55°C	
Storage Temperature		-20°C ~ 60°C	
Humidity		5% to 95% RH	
Thermal Design		Fanless	
Housing		Aluminum front , sheet metal back (Black C)	
Cut-out Dimensions (L x W)		442 mm x 373 mm	576 mm x 358 mm
Dimensions (L x W x D)		463 mm x 394 mm x 113 mm	592 mm x 374 mm x 113 mm
Mounting		VESA 100mm x 100mm	
Net Weight (kg)		7.74	11.48
Gross Weight (kg)		11.54	15.97
Approvals		EMC: CE, FCC Safety: DNV, IEC 60945 4th, IACS-E10 IP Rating: IP66 front , IP22 rear	

1

IEIMobile Solutions

2

Automation Panel Solutions

3

Healthcare Panel PC Solution

4

Industrial System

5

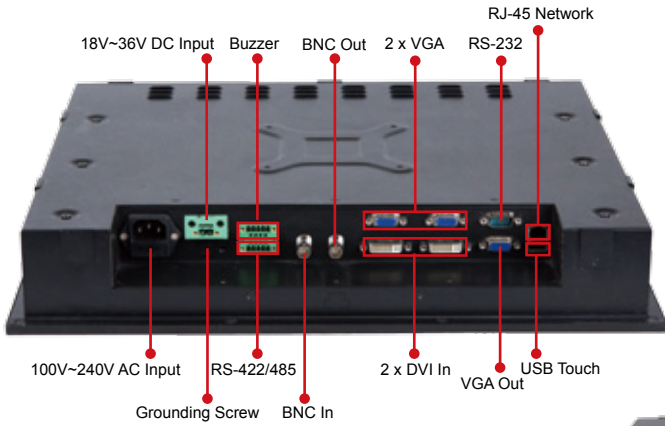
ORing Network Communication

6

Automation Control

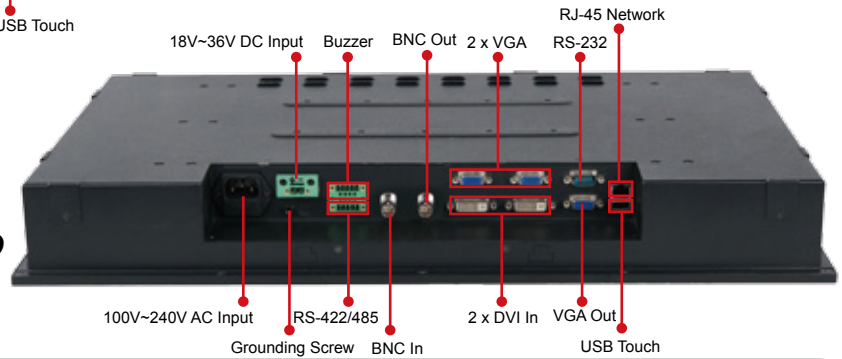
7

Optional Peripherals

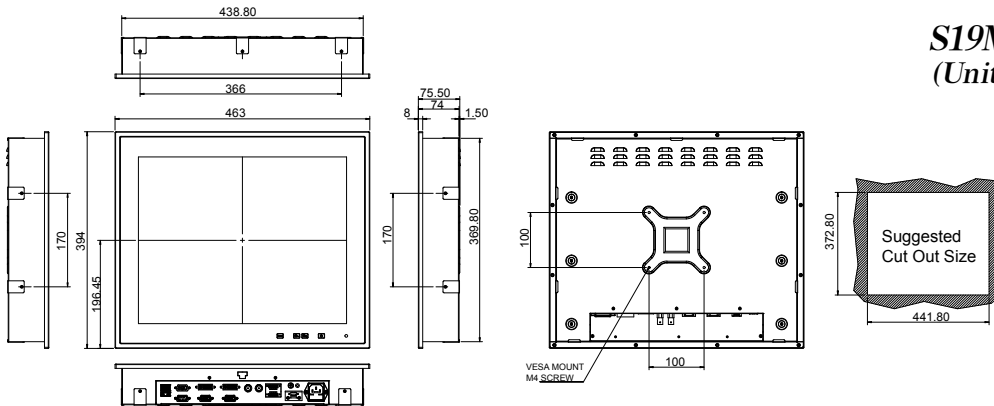


S19M
Fully Integrated I/O

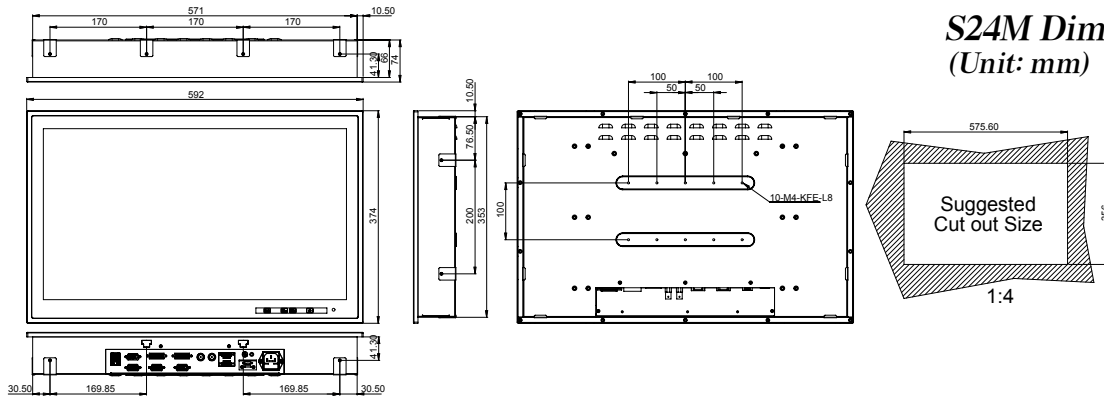
S24M
Fully Integrated I/O



S19M Dimensions
(Unit: mm)



S24M Dimensions
(Unit: mm)



Ordering Information

PN	Description
S19M-AD/PC-R10	19" SXGA 300cd/m ² Marine Display with AC and DC redundant power, PCAP touch screen, R10
S24M-AD/PC-R10	24" FHD 300cd/m ² Marine Display with AC and DC redundant power, PCAP touch screen, R10

Options

Item	Part No.	Description
Panel Mount Kit	PK-S19M-R10	for S19M
	PK-S24M-R10	for S24M
Desktop Stand	STAND-A21-R10	for S19M & S24M

Packing List

Item	Q'ty	Remark
User Manual & Driver CD	1	Drivers and user manual
VGA	1	VGA Signal Cable
DVI	1	DVI Signal Cable
USB	1	Touch Screen Cable USB
Power Cord	1	Power Cord
S19M or S24M	1	

1
IEIMobile Solutions

2
Automation Panel Solutions

3
Healthcare Panel PC Solution

4
Industrial System

5
ORing Network Communication

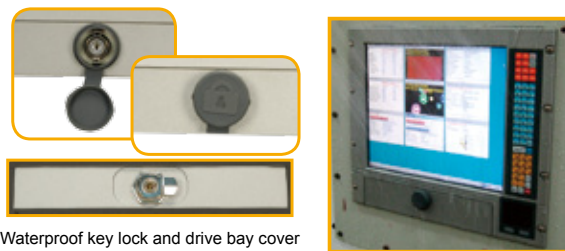
6
Automation Control

7
Optional Peripherals

Display Workstation Solutions

■ IP 64 waterproof front panel, membrane keys, mouse pad & drive-bay

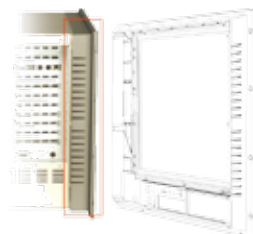
The industrial workstation's front cover is IP 64 compliant. The front cover is completely protected against the entry of dust and water sprayed from any direction.



Waterproof key lock and drive bay cover

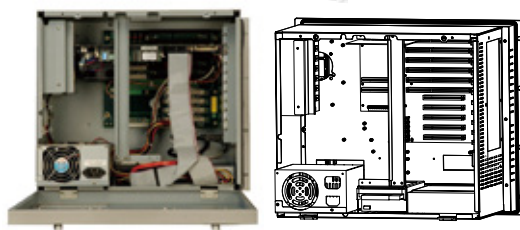
■ Compact die-cast aluminum front panel and integrated LCD back frame

Rack or wall mount systems always apply the whole system weight on the front bezel and LCD container. One piece design has higher strength and lighter weight because of aluminum die casting.



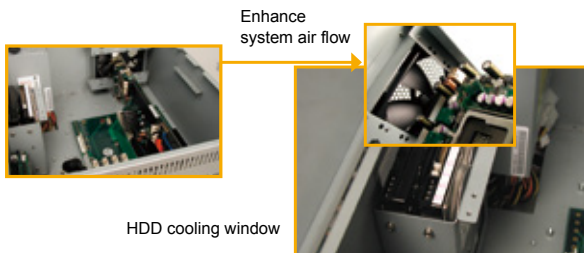
■ New robust chassis and retention kit structure to against shock and vibration

The whole chassis and retention kit are designed to be sturdy and rugged. The whole chassis has less joints and connections to increase resistance to shock and vibration.



■ Enhanced thermal management

Built-in fans and hard drive cooling ensure that temperatures stay within operating range all the time. This extends product life and increases system reliability.



Enhance system air flow

HDD cooling window

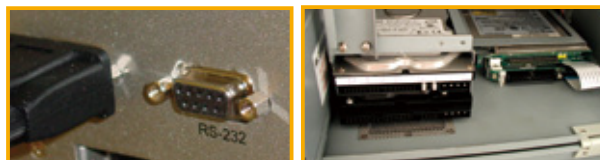
■ CPU card and Micro-ATX support

The WS-855GS can support microATX motherboards. microATX motherboards are widely used and offer a larger range of options to suit the needs of the system.



■ Optional RS-232 interface touch screen

The WS series provides an RS-232 port reserved for touch screen. IEI Workstation provides T-R model with high strength fiber glass touchscreen applications.

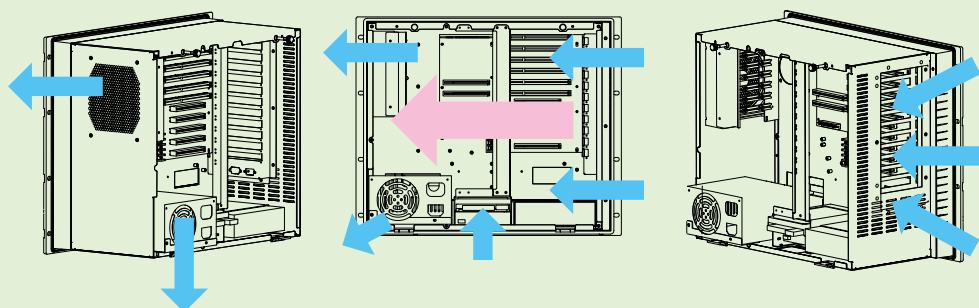


■ Complete drive support

The industrial workstations support 3.5" and 5.25" drives, and a floppy drive.

■ Advanced thermal and air-flow design

The thermal issue is an important issue for the modern industrial PC. The IEI industrial workstation is designed to have air flows through the computer by pulling cool air in one side and exhaust heated air out the other.



1

IEIMobile Solutions

2

Automation Panel Solutions

3

Healthcare Panel PC Solution

4

Industrial System

5

ORing Network Communication

6

Automation Control

7

Optional Peripherals

WS-855GS

15" IP 64 Waterproof Workstation: Robust, Shock Resistance



Features

- Die-cast aluminum front panel with integrated LCD screen
- New robust chassis and retention kit structure for shock and vibration
- Front panel, membrane keys, mouse pad and drive-bay enclosure meet IP 64 standard for tough environment
- Full function membrane keys and submerged OSD controller
- Advanced thermal and air-flow design
- Analog VGA interface supports all CPU boards

Specifications

Model	WS-855GS
LCD Size	15"
Resolution	1024 x 768
Brightness (cd/m ²)	450
Contrast	800:1
LCD color	16.2M
Backlight Hours	70000 (LED Backlight)
Input Interface	Analog VGA (DB-15)
Slot	10 slots / MB
Form Factor	Full/Half-size SBC / microATX motherboard
Mounting	19" rack mount
Rack Height	8U
Front Frame	Aluminum
IP Level	IP 64
KeyPad	59 Keys
Function Key	10 Keys
Touch Pad	Yes
Front Panel USB	2
HDD Drive Bay	1 x 3.5" HDD
CD-ROM Drive Bay	1 x 5.25" CD-ROM
FDD Bay	1 x 3.5" FDD
System Fan	12cm ball bearing 99.6 CFM fan
Touch Screen	5-wire resistive touch screen
Vibration	5 ~ 17 Hz, 0.1" double amplitude displacement / 17~640 Hz, 1.5G acceleration peak to peak
Shock	10G acceleration peak to peak (11ms)
Relative Humidity	10%~95%, non-condensing
Operating Temperature	0°C ~ 50°C
Storage Temperature	-10°C ~ 60°C
Color	Silver (Pantone PMS-8001)
Dimensions (W x H x D) (mm)	483 x 353 x 261
Weight (NW / GW)	12 kg / 18.2 kg
Recommended Backplane	AT: BP-10S ATX: PCI-10S2, HPE-7S1/8S, PE-6S/7S/7S2/8S/9S AT/ATX: PCI-10S, IP-10S, IPX-9S
Recommended microATX MB	IMB-9454, IMB-G41A
Power Supply	AT: ACE-925A(AP-U)-RS, ACE-932A-RS, ACE-935AL-RS, ACE-T140A-RS ATX: ACE-4860AP-R11-RS, ACE-828A(A/M/V)-RS, ACE-A130B-R10, ACE-A140A-R10, ACE-A140A-S-R10, ACE-A160A-R10

1

IEIMobile Solutions

2

Automation Panel Solutions

3

Healthcare Panel PC Solution

4

Industrial System

5

ORing Network Communication

6

Automation Control

7

Optional Peripherals

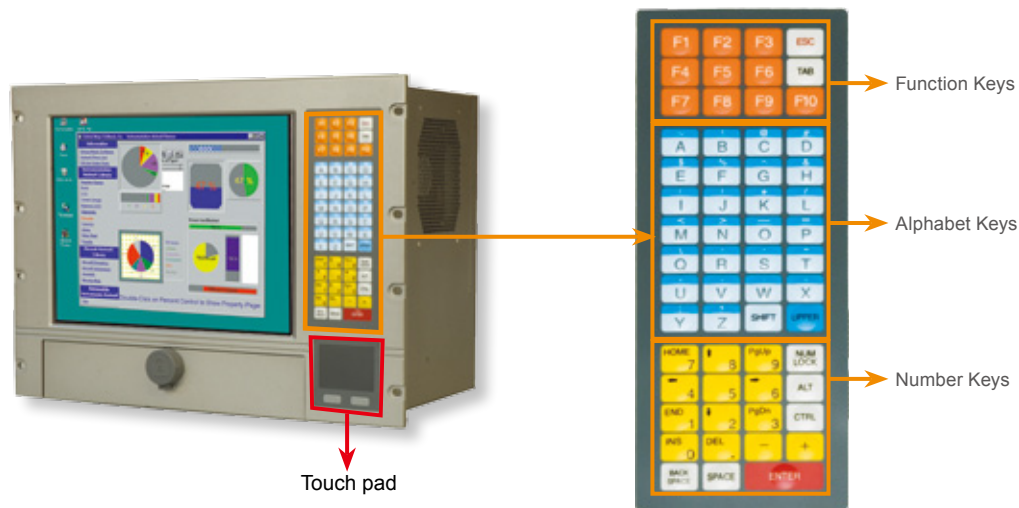
Ordering Information

Part No.	Description
WS-855GS/A130B/R-R40	8U 15" 400cd/m ² XGA LCD 10-slot industrial workstation with ACE-A130B-R10 300W ATX with PFC power supply and 15" resistive touch screen, R40
WS-855GSATX/A130B/R-R40	8U m-ATX 15" 400cd/m ² XGA LCD workstation with ACE-A130B-R10 300W ATX with PFC power supply and 15" resistive touch screen, M-ATX version, R40

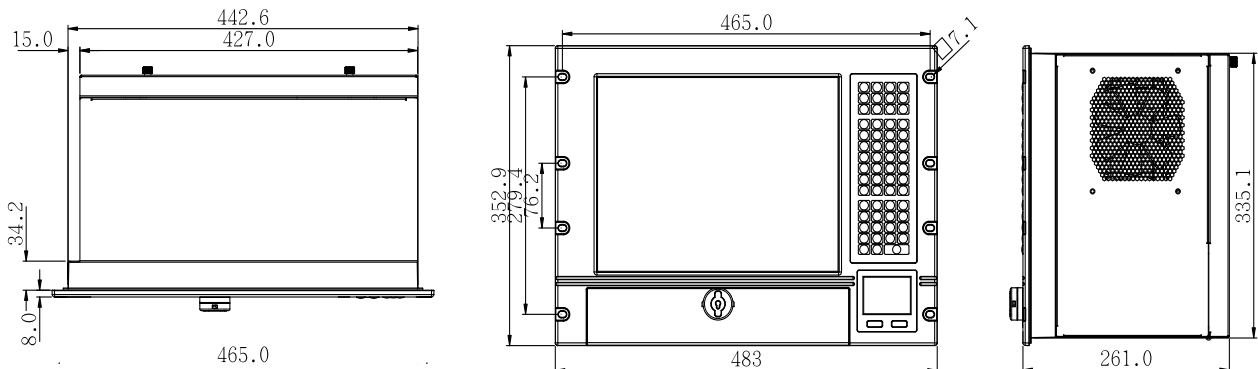
Packing List

Part Number	Description	Amount	Remark
32000-000002-RS	AC Power Cable	1	Standard Packing, for Europe, 32000-000004-RS for South Africa 32000-000022-RS for Australia, 32000-000025-RS for America 32000-000026-RS for Switzerland
32000-101200-RS	VGA Cable	1	A)D-SUB 15P MALE 90°(B)D-SUB 15PIN MALE
32100-034801-RS	PS_ON Cable for ATX signal	1	
41015-0003C0-00-RS	Press Stick Kit (Long)	4	
41015-0004C0-00-RS	Press Stick Kit (Short)	3	
47001-000101-RS	Press Stick Rubber	7	
	User Manual	1	
32000-075000-RS	KeyPad / MousePad PS/2 Cable	1	For SBC Models
32000-078400-RS	KeyPad / MousePad PS/2 Cable	1	For m-ATX (Motherboards) Models
32000-101100-RS	RS-232 Cable / Touch Pen / Driver CD-ROM for Touch Screen	1	(A)D-SUB 9P MALE 90°(B)D-SUB 9PIN FEMALE

Full function membrane keys & submerged OSD controller with Touch pad



Dimensions (Unit: mm)



1

IEIMobile Solutions

2

Automation Panel Solutions

3

Healthcare Panel PC Solution

4

Industrial System

5

ORing Network Communication

6

Automation Control

7

Optional Peripherals