

# Light Industrial Panel Solution

Today, more and more customers are looking for advanced services such as round-the-clock service or just-in-time delivery. Service automation enables the exchange of information and communication between administrators and clients through the thin, low power consumption portable devices that fit with many circumstances. Upgrade your service platform with IEI service automation solutions, which have advanced communication functions and solid mechanical characteristics. These solutions help you keep up with your customers while staying a step ahead of the competition.



## Light Industrial Panel PC Product Line

### AFOLUX GEN III PPC



**New**

### AFOLUX GEN II PPC



### AFOLUX PPC



1

IEIMobile Solutions

2

Automation Panel Solutions

3

Healthcare Panel PC Solution

4

Industrial System

5

ORing Network Communication

6

Automation Control

7

Optional Peripherals

Sleek outlook, easy installation interactive PPC

- Narrow and symmetric bezel allows portrait mode or landscape mode
- Less screw design for easy installation

Flat bezel multi-functional PPC

- LED dash system for eye-catching notification
- IEI Light Fanless technology allows the system to turn on/off smart fan automatically according to environmental temperature, enhancing system stability.

Economical HMI PPC

- Competitive price
- Multi-functional all-in-one panel PCs
- Streamlined plastic housing

## Selection Guide

**AFOLUX PPC**

### AFOLUX GEN III Panel PC

**New**

Size	W7"	8.4"	W10.1"	12.1"	W15"	W19"	W22"
Intel® Dual Core Celeron® N2807	AFL3-W07A-BT						
Intel® Quad Core Celeron® J1900		AFL3-08A-BT	AFL3-W10A-BT	AFL3-12A-BT	AFL3-W15A-BT		
Intel® H81					AFL3-W15B-H81		
6th generation Intel® mobile ULT					AFL3-W15C-ULT3	AFL3-W19C-ULT3	AFL3-W22C-ULT3

### AFOLUX GEN II Panel PC

Size	8.0"	12.1"	W15"	17"	W22"
Intel® Atom™ N2600/N2800	AFL2-08A-N26				
Intel® Atom™ HM65		AFL2-12A-HM65			
Intel® Atom™ H61			AFL2-W15B-H61	AFL2-17A-H61	AFL2-W21A-H61

### AFOLUX Panel PC

Size	W7"	8.4"	W10.2"	10.4"	12.1"	15"	17"	19"
AMD LX800	AFL-07A-LX	AFL-08AH-LX						
Intel® Atom™ N270			AFL-W10A-N270	AFL-10A-N270				
Intel® Atom™ N2600	AFL-07A-N26	AFL-08A-N26			AFL-12A-N26			
Intel® HM55						AFL-15i-HM55	AFL-17i-HM55	AFL-19i-HM55

# AFOLUX GEN III Interactive Panel PC

## Leading the Evolution of Intelligent HMI

AFOLUX GEN III Panel PC, a specialized all-in-one panel computer with 7-inch to 15.6-inch PCAP touchscreen, opens a new era of automation. It looks stylish like a tablet, and supports 802.11ac and Bluetooth 4.0 high speed connectivity. Its robustness meets industrial standards and its scalability make it easy to expand I/O options. The AFOLUX GEN III is designed for a wide range of applications which can be applied in different scenarios.



Retail

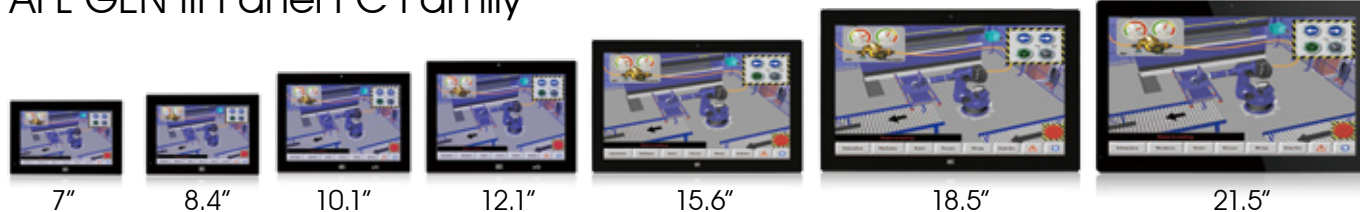


Residential Automation



Equipment

## AFL GEN III Panel PC Family



### Robustness

- IP65/IP64 front, IPx1 rear cover
- -10°C~50°C extended operating temperature
- 6H PCAP multi-touch

### Stylish

- ABS plus PC plastic light weight housing
- 2mm bezel seamless design
- Upright portrait installation possible for all touch devices
- Less screw design

### Scalability

- 1D/2D barcode module for retail applications
- 13.56MHz Mifare reader: meets ISO 14443A/B,15693
- MSR card reader for identifications
- E-Window for function expansion

### Connectivity

- Digital microphone, 2-megapixel camera, speakers
- Wireless 802.11ac connectivity
- Bluetooth 4.0 (optional)

1

IEIMobile Solutions

2

Automation Panel Solutions

3

Healthcare Panel PC Solution

4

Industrial System

5

ORing Network Communication

6

Automation Control

7

Optional Peripherals

# Multiple Performance Choice

## A. Fan-free Quad Core and Dual Core Intel® Celeron® Platform

Quad-core Intel® J1900 2.0 GHz/  
Dual-core Intel® N2807 Processor

### Green Memory

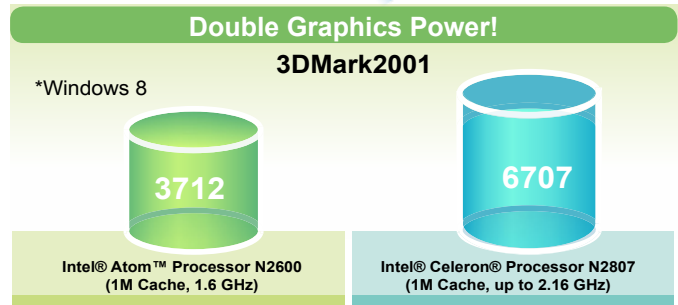
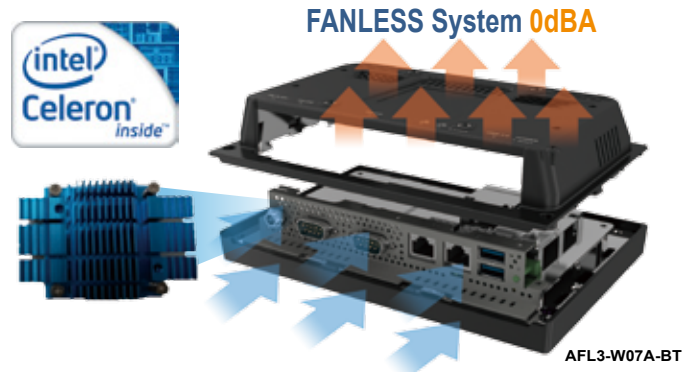
- Low voltage DDR3L supports up to 8 GB (Intel® Celeron® processor J1900)

### Fan-free design

- Thermal simulation before hardware is built
- Rear metal bracket help to average the heat

Intel® HD Graphics Gen 7 Graphics Performance Allows Smooth 2D/3D Graphics Application

- 3D graphics hardware acceleration including support for DirectX\*11, OCL 1.2, OGL ES Haili/2.0/1.1, OGL 3.2
- Video decode hardware acceleration including support for H.264, MPEG2, MVC, VC-1, WMV9 and VP8 formats
- Video encode hardware acceleration including support for H.264, MPEG2 and MVC formats



1  
IEMobile Solutions

## B. 6th Generation Intel® Solution

### Breakthrough Performance

- 15.6" , 18.5" and 22" fanless light-industrial Panel PC with Intel® Skylake Low power ULT BGA 1356 single package platform
- 14nm processor using 2nd generation 3-D tri-gate transistors
- Support dual-channel DDR4 & DDR3L memory (ECC optional)

### Enhanced Graphics / Media

- Gen 9 graphics engine
- 3 independent displays with audio
- Display resolutions supporting up to 4K@60Hz



2  
Automation Panel Solutions

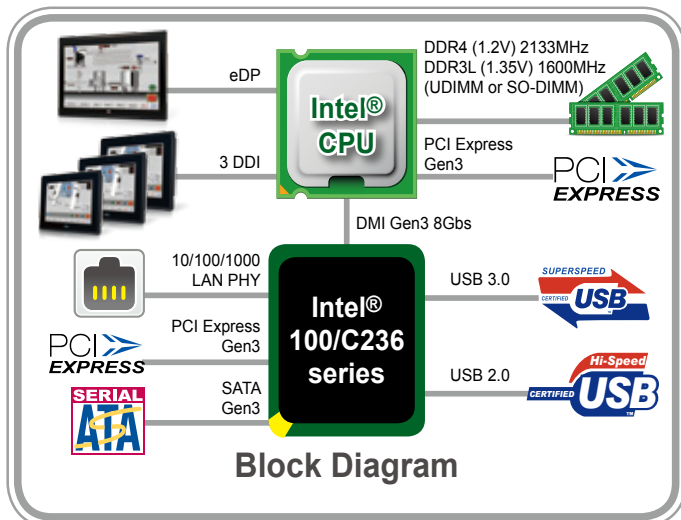
3  
Healthcare Panel PC Solution

4  
Industrial System

5  
ORing Network Communication

6  
Automation Control

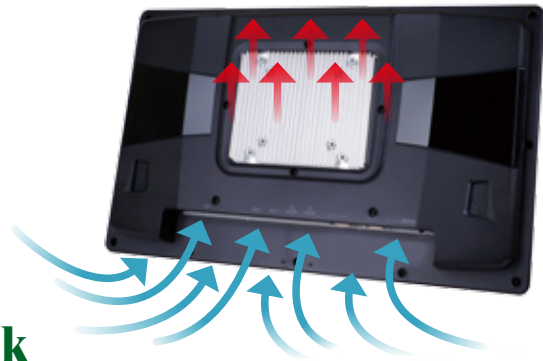
7  
Optional Peripherals



Item	ULT			
	8 Series	9 Series	100 Series	100 Series
Platform Name	Haswell	Broadwell	Skylake	Kabylake
Process	22nm	14nm	14nm	14nm
CPU Package	BGA1168	BGA1168	BGA1356	BGA1356
Memory	DDR3L	DDR3/DDR3L 1600	DDR3L/DR4	DDR3L/DR4
PCI Express Lanes	Up to 8 Lanes PCIe (Gen2)	Up to 12 PCIe (Gen2)	Up to 12 PCIe (Gen3)	Up to 12 PCIe (Gen3)
PCH	PCH-LP	PCH-LP	PCH-LP Premium/Base	PCH-LP Premium/Base

### Efficient Active Thermal Solution

IEI unique thermal design reduces the thermal space but with excellent air flow



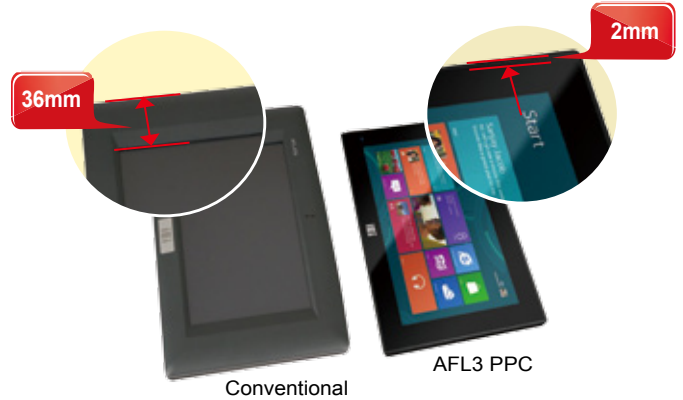
## Easy Assembly and Stylish Outlook

### Screw-less Design

Only 2 screws are needed for rear cover installation, making it easy to access and replace storage and PCIe Mini card quickly.



### 2mm Narrow Bezel



### Symmetric Bezel

Landscape/Portrait screen mode supports different applications



### Light Weight Plastic Housing

The ABS plus PC plastic housing helps to shape the stylish outlook and only weight 1/3 of metal housing panel PC.



The light weight makes the installation more easily, and meets more applications.

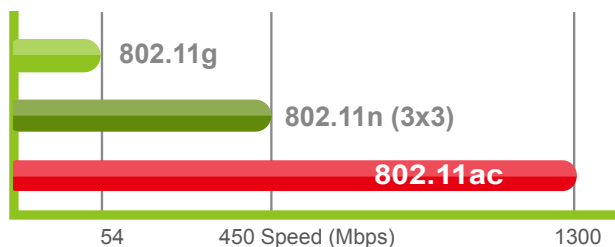
- Reduce purchasing cost for stand kit
- Save labor cost , single person install
- Streamline outlook

## Fast Transmission Wireless 802.11ac

- 2.4 GHz and 5 GHz dual band supplies faster and reliable signal
- The incredible wireless speed makes it ideal for handling multiple HD movie streams, high-resolution on-line games, stereo music, VoIPs and data streams at the same time stably and smoothly.

Maximum Speed: Next generation 802.11ac VS. 802.11n

### WiFi Standard



1

IEIMobile Solutions

2

Automation Panel Solutions

3

Healthcare Panel PC Solution

4

Industrial System

5

ORing Network Communication

6

Automation Control

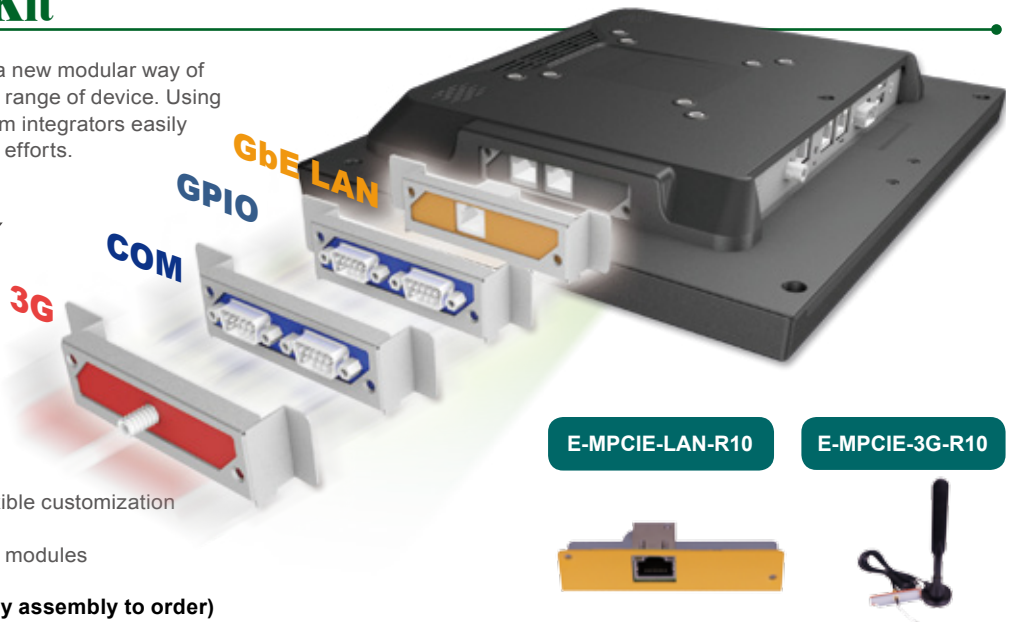
7

Optional Peripherals

# E-Window Tool Kit

Innovative E-windows technology is a new modular way of adding flexible functionality to a wide range of device. Using standardized component helps system integrators easily add more features without any costly efforts.

## E-Window



### Features

- Easy maintenance
- Variety module & I/O plate with flexible customization
- Integration of multiple functions
- Easy for replacement with different modules

### Ordering Information: (shipment by assembly to order)

Item	Description	Supported Model
E-MPCIE-LAN-R10	PCIe mini card supports 1-port GbE with REALTEK RTL8111E controller, with PMS 194C I/O bracket and 250mm cable, R10	AFL3-12A-BT AFL3-W15A-BT AFL3-W15C-ULT3
E-MPCIE-LAN02-R10	PCIe mini card supports 1-port GbE with REALTEK RTL8111E controller, with PMS 194C I/O bracket and 340 mm cable, R10	AFL3-W19C-ULT3 AFL3-W22C-ULT3
E-MPCIE-DLAN-R10	PCIe mini card supports PCIe mini card supports 2-port GbE with Intel I211 controller, with PMS 194C I/O bracket and 250mm cable, R10	AFL3-12A-BT AFL3-W15A-BT
E-MPCIE-CClink-R10	PCIe mini card supports CC-Link Slave interface according to V2.0 and V1.1, with PMS Black C I/O bracket and 250mm cable, R10	AFL3-W15C-ULT3
E-MPCIE-CClink02-R10	PCIe mini card supports CC-Link Slave interface according to V2.0 and V1.1, with PMS Black C I/O bracket and 300mm cable, R10	AFL3-W19C-ULT3 AFL3-W22C-ULT3
E-MPCIE-PROFIBUS-R10	PCIe mini card supports universal PROFI BUS DP card for Master or Slave, with PMS Black C I/O bracket and 250mm cable, R10	AFL3-W15C-ULT3
E-MPCIE-PROFIBUS02-R10	PCIe mini card supports universal PROFI BUS DP card for Master or Slave, with PMS Black C I/O bracket and 300mm cable, R10	AFL3-W19C-ULT3 AFL3-W22C-ULT3
E-MPCIE-EtherCAT-R10	PCIe mini card supports universal for all Real-Time Ethernet protocols, with PMS Black C I/O bracket and 280mm cable, R10	AFL3-W15C-ULT3 AFL3-W19C-ULT3 AFL3-W22C-ULT3
E-MPCIE-3G-R10	PCIe mini card supports 3G WWAN Module , with PMS 130C I/O bracket, RF antenna 300mm cable and GSM antenna cable, R10	AFL3-12A-BT AFL3-W15A-BT AFL3-W15C-ULT3 AFL3-W19C-ULT3 AFL3-W22C-ULT3

## Bluetooth 4.0 (optional)

- Bluetooth 4.0 (BLE :Bluetooth Low Energy)/ 3.0 + HS (High Speed) data rate up to 24 Mbit/s
- 10m~20m (depending on environment)

Version	Data rate	Maximum application throughput
Version 1.2	1 Mbit/s	0.7 Mbit/s
Version 2.0 + EDR	3 Mbit/s	2.1 Mbit/s
Version 3.0 + HS	Perhaps 24 Mbit/s	(note: only with AMP and depends on the AMP , BT itself remains 2.1 Mbit/s max)
Version 4.0	Perhaps 24 Mbit/s	(note: only with AMP and depends on the AMP , BT itself remains 2.1 Mbit/s max)



Engage exercisers with entertaining experience



Restaurant Bluetooth billing system

1

IEIMobile Solutions

2

Automation Panel Solutions

3

Healthcare Panel PC Solution

4

Industrial System

5

ORing Network Communication

6

Automation Control

7

Optional Peripherals

## Selectable AT/ATX Power Mode



Convenient Power Mode Setting

### AT Power Mode



With the AT mode selected, the power is controlled by a central power unit rather than a power switch. The AFOLUX PPCs turns on automatically when the power is connected.



#### Applications

- Plant environment monitoring system
- Factory automation platform
- Manufacturing shop flow

#### Advantages

- Easy to turn on/off with wall/ panel mounting
- Automatic start when power connected



### ATX Power Mode

With the ATX mode selected, the AFL series panel PC goes in a standby mode when it is turned off. The panel PC can be easily turned on via network or a power switch in standby mode. Remote power control is perfect for advertising applications since the broadcasting time for each panel PC can be set individually and controlled remotely.



#### Applications

- Security surveillance
- Advertising terminal

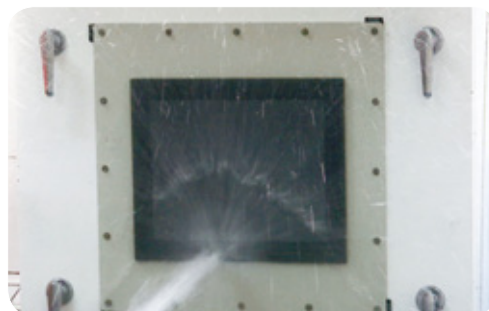
#### Advantages

- Power management
- Remote control via network advantage

## IP65 Front Panel /IPx1 Rear Protection (AFL3-W07A-BT)

The IP 65 compliant front panel of the AFOLUX GEN III panel PC has passed tests to check if there is any water, dust or dirt passing the sealing design. Reference IEC60529 Testing Procedures:

Hose Diameter: 25.4 mm (UL50 Type 4X), The distance from water hose to DUT is 3 meters.



Test for protection against water



Test for protection against dust

1

IEIMobile Solutions

2

Automation Panel Solutions

3

Healthcare Panel PC Solution

4

Industrial System

5

ORing Network Communication

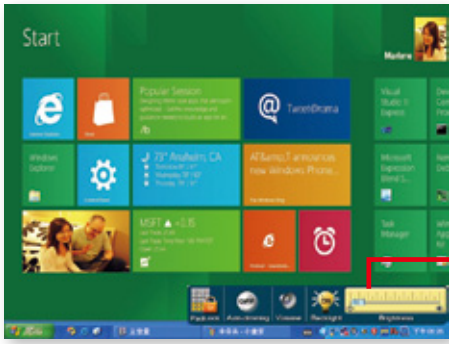
6

Automation Control

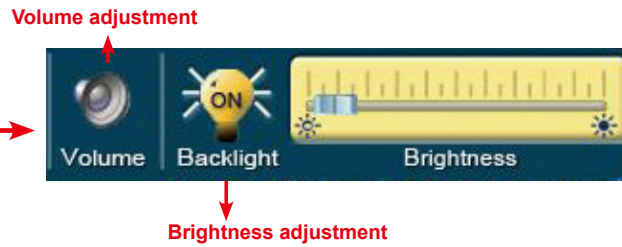
7

Optional Peripherals

# Software OSD Configuration



IEI patented system software utility allows users to adjust system settings through the software interface in Windows environment instead of pressing the membrane keypad below the front panel.



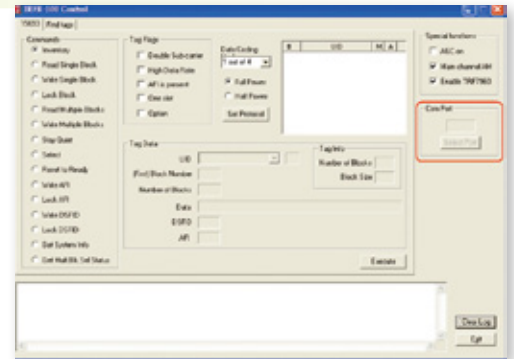
# Rich Peripherals

A wide range of peripherals to fit different application needs



- 1 IEIMobile Solutions
- 2 Automation Panel Solutions

## A. Built-in 13.56 MHz Mifare RFID Reader



- 3 Healthcare Panel PC Solution
- 4 Industrial System
- 5 ORing Network Communication
- 6 Automation Control
- 7 Optional Peripherals

Model	AFL3-MF-RFID-KIT02-R10	
Support Protocol	ISO 15693/ISO 14443A/ISO 14443B	
RF Frequency	13.56 MHz	
RFID IC	TI TRF7960	
Operating Distance	2-3cm	
Interface	USB	
Driver Support	Windows® 2000 Windows® XP Windows® 7/8 Windows® 10	Windows® Server 2003 Windows® Server 2008 Windows® Server 2008 R2 (x86 and x64)

### IEI RFID Software Development Kit

- COM Port Settings and Activation Area**  
 Allows the user to select the serial port that communicates with the RFID reader module.
- Commands Area**  
 Displays various command options for user to select.
- Data Input Area**  
 The data input area is where the user enters block number, key, key data, and other information required by certain commands.
- Raw Data Display Area**  
 Shows all communication logs and responses of the executed commands.
- Mifare Card ID Display Area**  
 Displays the Mifare card ID when the Mifare card is detected.
- Error Code Display Area**  
 Shows the error message when an error occurs.

## B. 1D/2D Barcode Reader

### Modularized 1D/2D Barcode Scanner and Easy to Assemble

- Accurately decodes all 1D and 2D codes, even wrinkled, damaged or poorly printed
- 752x480 CMOS sensor captures high resolution images for decoding
- Horizontal 42° and Vertical 27.5° large scanning area



Technology	1D Code	2D Code
Read Condition	20 to 25 characters	100 to about 2,000 characters

### Efficient Scanning Performance

- Area-scanning features non-direction reading drive scanning performance
- 120 mm scanning distance



### AFL3-2D-R10 Specifications

Model	AFL3-2D-R10	
Image Sensor	752 × 480 CMOS	
Illumination	Red LED 625±10 nm	
Symbolologies	2D	PDF417, Data Matrix (ECC200,ECC000,050,080,100,140), QR Code, etc.
	1D	Code128, EAN-13, EAN-8, Code39, UPC-A, UPC-E, Codabar, Interleaved 2 of 5, ITF-6, ITF-14, ISBN, Code 93, UCC/EAN-128, GS1 Databar, Matrix 2 of 5, Code 11, Industrial 2 of 5, Standard 2 of 5, Plessey, MSI-Plessey, etc.
Reading Precision	≥ 5mil	
Depth of Field	UPC-A	55mm - 305mm (13mil);
	PDF417	65mm - 175mm (6.67mil); 50mm - 215mm (10mil)
	Data Matrix	50mm - 220mm (15mil);
	QR Code	65mm - 235mm (15mil)
Symbol Contrast	≥ 25%	
Field of View	Horizontal 42°; Vertical 27.5°	
Scan Angle**	Roll: 360°; Pitch: ±55°; Skew: ±55°	
Interface	USB	
Operating Temperature	-20°C to +60°C	
Storage Temperature	-40°C to +80°C	
Humidity	5% to 95% (non-condensing)	
Ambient Light	0 ~ 100,000 LUX (natural light)	

## C. Magnetic Card Reader

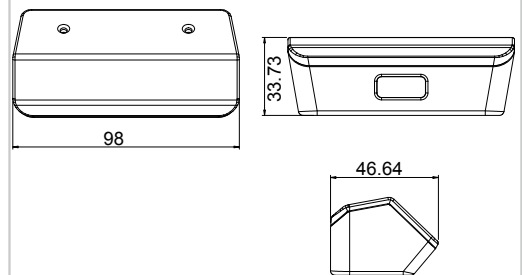
- Life cycle: approx. 300,000 passes
- Direction: Bi-direction
- Scan speed: 100-1000 mm/sec
- Interface: USB



Modularized 1D/2D Barcode Scanner



### AFL3-2D-R10 Dimensions (Unit: mm)



1

IEIMobile Solutions

2

Automation Panel Solutions

3

Healthcare Panel PC Solution

4

Industrial System

5

ORing Network Communication

6

Automation Control

7

Optional Peripherals



# AFL3-W07A-BT

Intel® Celeron® N2807 (Dual Core, 1.58 GHz)

# AFL3-08A-BT

Intel® Celeron® J1900 (Quad Core, 2.0 GHz)



## Features

- W7"~8.4" light industrial interactive panel PC
- 9 V ~ 30 V wide range DC input with lockable DC jack
- Selectable AT/ATX power mode
- Built-in speakers
- One mSATA slot
- IP64/IP65 compliant front panel
- IEI One Key Recovery solution allows you to create rapid OS backup and recovery (suggested with over 4GB storage capacity)



## Specifications

Model		AFL3-W07A-BT	AFL3-08A-BT
LCD	Size	7"	8.4"
	Resolution	1024 x 600 (16:9)	800 x 600 (4:3)
	Brightness (cd/m <sup>2</sup> )	500	450
	Contrast Ratio	700:1	600:1
	LCD Color	16.2M	16.2M
	Pixel Pitch (mm)	0.0635 (H) x 0.1905 (V)	0.213 (H) x 0.213 (V)
	Viewing Angle (H-V)	150° / 145°	160° / 140°
	Backlight MTBF(hrs)	20000 hrs	50000 hrs
Touch	Touch Screen	Projected capacitive type	Resistive Touch Window/Projected capacitive type
	Touch Controller	EETI EXC3160	PenMount DMC 9000/EETI EXC3146
Motherboard	CPU	Intel® Celeron® N2807 (dual core, 1.58 GHz)	Intel® Celeron® J1900 (quad core, 2.0 GHz)
	RAM	2GB DDR3L onboard RAM/ 4GB DDR3L onboard RAM	One 204-pin 2 GB 1333MHz single-channel, 2GB DDR3L SDRAM pre-installed (system max. 8GB)
	Ethernet	2 x PCIe GbE by RTL8111E controller	2 x PCIe GbE by RTL8111E controller
	Audio Codec	ALC892	ALC892
Storage	mSATA		
I/O Ports & Switch	2 x RS-232 COM port (DB-9 connector) 2 x USB 3.0 2 x GbE LAN 1 x Power switch 1 x Reset button 1 x AT/ATX switch 1 x 9-30V Lockable power jack		1 x RS-232 COM port (RJ-45 connector) 1 x RS-232/422/485 COM port (DB-9 connector) (RI/5V/12V) 2 x USB 3.0 2 x RJ-45 for GbE LAN 1 x Power switch 1 x Audio port (line-out) 1 x Reset button 1 x AT/ATX switch 1 x 9-30V DC Lockable power jack
	Audio	AMP 2W (internal speaker, left channel output)	AMP 2W + 2W (internal speaker)
Camera and Microphone	N/A		2-megapixel with low light function, digital microphone
Wireless & Bluetooth	IEEE 802.11 a/b/g/n/ac, Bluetooth V4.0 (PCIe mini slot)		IEEE 802.11 a/b/g/n/ac (PCIe mini slot)
OSD Function		Software OSD	
Physical	Front Panel Construction	PC + ABS Plastic	
	Mounting	Panel, Wall, Stand, Arm, Rack VESA 75mm x 75mm	
	Color	Black C	
	Dimensions (WxHxD) (mm)	191 x 127 x 43	233 x 175 x 50
	Cut-out Dimensions (WxH) (mm)	182 x 111	207 x 143
	Net/Gross Weight (kgs)	0.73/1.81	0.8/2.44
Environment	Operating Temperature (°C) (Ambient with air flow)	-20°C~50°C	-15°C~55°C
	Storage Temperature (°C)	-20°C~60°C	-20°C~65°C
	Humidity	10% to 95% (non-condensing)	
	IP Level	IP 65 compliant front panel	IP 64 compliant front panel
Power	Safety&EMC	CE / FCC	
	Thermal Solution	Fanless	
	Power Requirement	9 V ~ 30 V	
	Power Consumption	12V@2.08	
		(Intel® N2807 CPU with 2GB 1333 MHz DDR3L memory)	(Intel® J1900 CPU with 2GB 1333 MHz DDR3L memory)

1

IEI Mobile Solutions

2

Automation Panel Solutions

3

Healthcare Panel PC Solution

4

Industrial System

5

ORing Network Communication

6

Automation Control

7

Optional Peripherals

## Ordering Information

Part No.	Description
AFL3-W07A-BT-N1/PC/2G-R12	7" 500 cd/m <sup>2</sup> 1024 x 600 HD fanless panel PC with Intel® Celeron® N2807 dual core 1.58 GHz, 802.11a/b/g/n/ac, projected capacitive touch screen, on-board 2GB DDR3L RAM, R12
AFL3-W07A-BT-N1/PC/4G-R12	7" 500 cd/m <sup>2</sup> 1024 x 600 HD fanless panel PC with Intel® Celeron® N2807 dual core 1.58 GHz, 802.11a/b/g/n/ac, projected capacitive touch screen, on-board 4GB DDR3L RAM, R12
AFL3-W07A-BT-N1/PC/2G/MF-R12	7" 500 cd/m <sup>2</sup> 1024 x 600 HD fanless panel PC with Intel® Celeron® N2807 dual core 1.58 GHz, 802.11a/b/g/n/ac, projected capacitive touch screen, on-board 2GB DDR3L RAM, Mifare RFID, R12
AFL3-08A-BT-J1/PC/2G-R10	8.4" 450cd/m <sup>2</sup> SVGA fanless panel PC with Intel® Celeron® J1900 quad core 2 GHz, 802.11a/b/g/n/ac wireless module, projected capacitive touch screen, 2GB DDR3L RAM, R10
AFL3-08A-BT-J1/R/2G-R10	8.4" 450cd/m <sup>2</sup> SVGA fanless panel PC with Intel® Celeron® J1900 quad core 2 GHz, 802.11 a/b/g/n/ac wireless module, resistive touch window, 2GB DDR3L RAM, R10

## Options

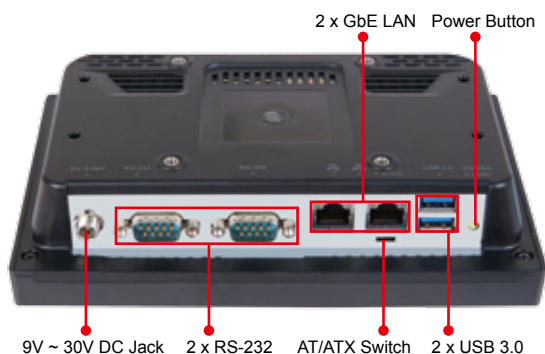
Item	AFL3-W07A-BT	AFL3-08A-BT
Panel Mounting Kit	AFL3PK-W07A-R11	AFL3PK-08A-R10
Wall Mounting Kit	AFLWK-12	AFLWK-12
Rack Mounting Kit	AFL3RK-W07A-R11	AFL3RK-08A-R10
Arm	ARM-11-RS/ARM-31-RS	ARM-11-RS/ARM-31-RS
Stand	STAND-B08/STAND-100-RS	STAND-B08/STAND-100-RS
V-Stand	VSTAND-A07-R11	VSTAND-A10-R11
Magnetic Card Reader	AFL3P-W7MSR-U-R10	AFL3P-W10MSR-U-R10
Barcode Scanner	N/A	AFL3-2D-R10
RFID Reader (13.56 MHz Mifare Type)	AFL3-W07A-BT-N1/PC/2G/MF-R12	N/A (Customized by project base)
*OS: Win 7 Embedded (64-bit)	AFL3-W07A-BT-WES7P64-R11 (for PCAP touch)	AFL3-W07A-BT-WES7P64-R11 (for PCAP touch) AFL3-W07A-BT-WES7E64-R11 (for Resistive touch)
*OS: Win 8 Embedded (64-bit)	AFL3-W07A-BT-WE8S64-R10	
*OS: Win 10 IOT Enterprise (64-bit)	AFL3-W07A-BT-W10E64-R10	

\*OS image with CD-ROM without storage

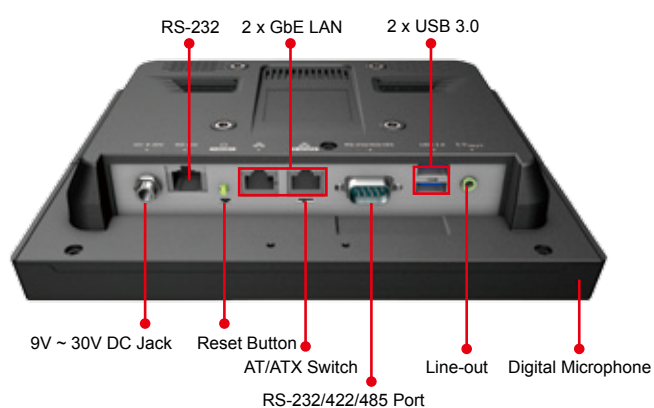
## Packing List

Item	Part No.	Q'ty	Description
One Key Recovery DVD	7B000-001083-RS	1	
Setting kit	46003-002600-RS	2	
Round head machine screw	44003-020041-RS	2	M2*4 round head machine screw
	44003-020041-RS	4	M2*4 round head machine screw
Pan head machine screw	44403-040061-RS	4	M4*6 pan head machine screw
Fix holder	46003-009500-RS	2	
Power cord	32702-000400-200-RS	1	
	32702-000200-100-RS	1	
Power adapter	63040-010036-121-RS	1	36W; Vin: 90V~264V AC; Vout: 12VDC; Φ2.5/Φ5.5/lock
Driver CD		1	
Touch pen	43125-0002C0-00-RS	1	Resistive touch screen only

## AFL3-W07A Fully Integrated I/O



## AFL3-08A Fully Integrated I/O



1

IEIMobile Solutions

2

Automation Panel Solutions

3

Healthcare Panel PC Solution

4

Industrial System

5

ORing Network Communication

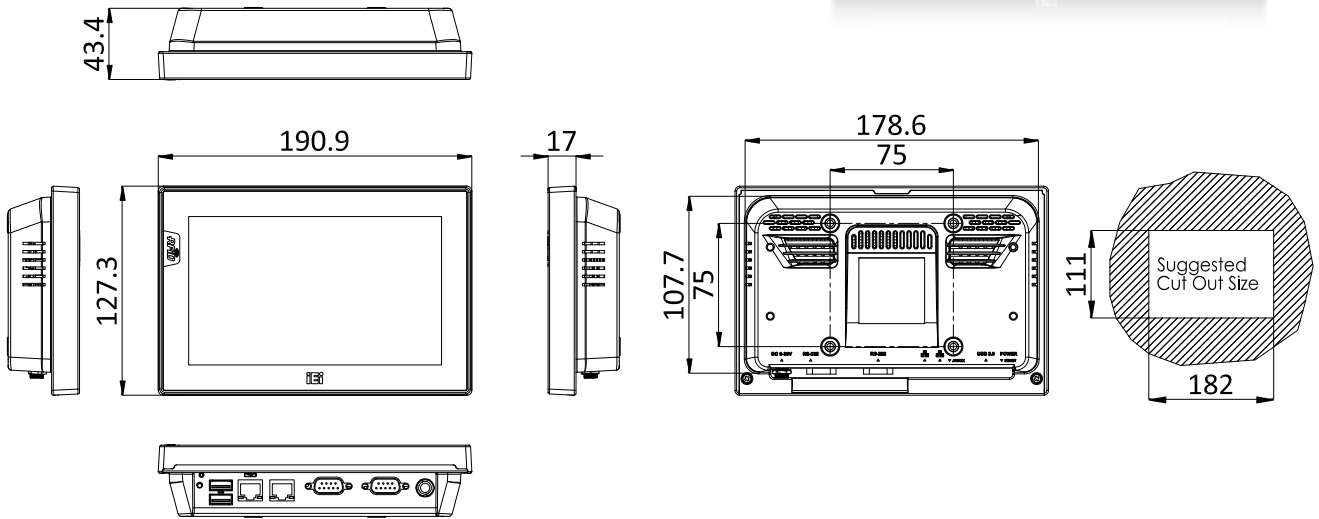
6

Automation Control

7

Optional Peripherals

**AFL3-W07A-BT**  
 Dimensions (Unit: mm)



1  
IEIMobile Solutions

2  
Automation Panel Solutions

3  
Healthcare Panel PC Solution

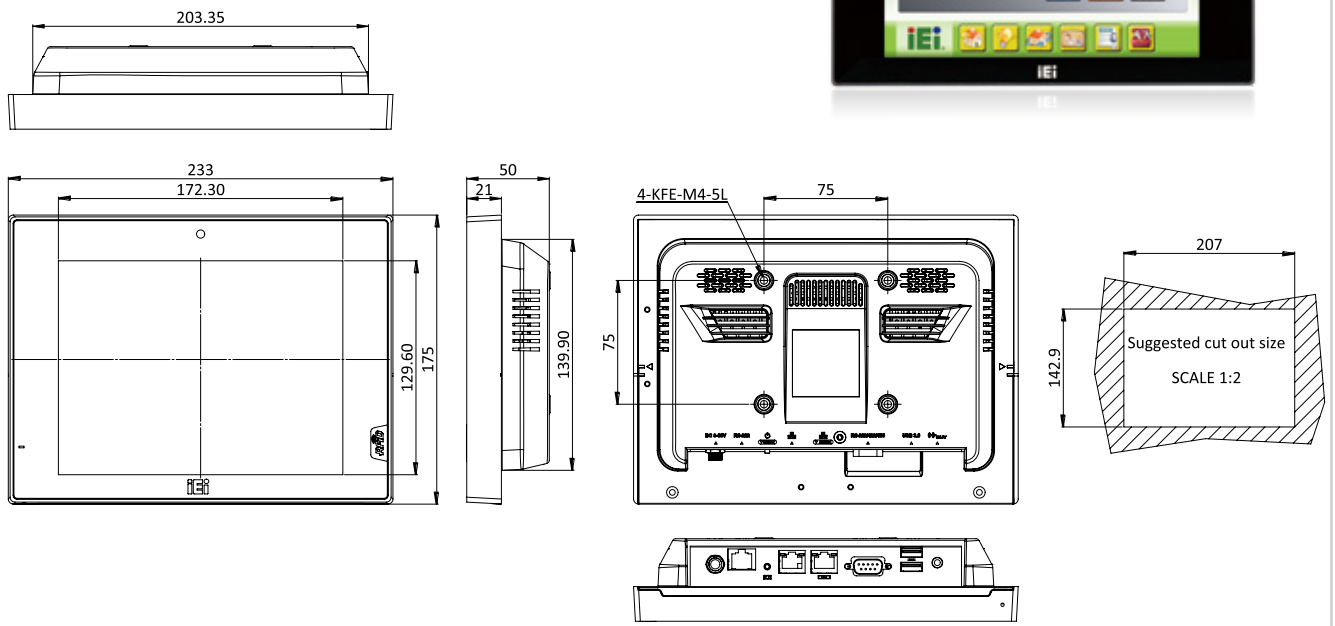
4  
Industrial System

5  
ORing Network Communication

6  
Automation Control

7  
Optional Peripherals

**AFL3-08A-BT**  
 Dimensions (Unit: mm)



# AFL3-W10A-BT

Intel® Celeron® J1900 (Quad Core, 2.0 GHz)

# AFL3-12A-BT

Intel® Celeron® J1900 (Quad Core, 2.0 GHz)



## Features

- W10"~12" light industrial interactive panel PC
- 9 V ~ 30 V wide range DC input with lockable DC jack
- Selectable AT/ATX power mode
- Built-in speakers
- One mSATA slot
- IP64 compliant front panel
- IEI One Key Recovery solution allows you to create rapid OS backup and recovery (suggested with over 4GB storage capacity)



## Specifications

Model		AFL3-W10A-BT	AFL3-12A-BT	
LCD	Size	10.1"	12.1"	
	Resolution	1280 x 800 (16:10)	1024 x 768 (4:3)	
	Brightness (cd/m <sup>2</sup> )	350	500	
	Contrast Ratio	800:1	700:1	
	LCD Color	16.2M	16.2M	
	Pixel Pitch (mm)	0.1695 (H)×0.1695 (V)	0.240 (H) x 0.240 (V)	
	Viewing Angle (H-V)	170° / 170°	160° / 160°	
	Backlight MTBF(hrs)	15000 hrs	50000 hrs	
Touch	Touch Screen	Projected capacitive type	5-wire resistive touch window/ projected capacitive type	
	Touch Controller	EETI EXC3146	PenMount DMC9000/ EETI EXC3146	
Motherboard	CPU	Intel® Celeron® J1900 (quad core, 2.0 GHz)	Intel® Celeron® J1900 (quad core, 2.0 GHz)	
	RAM	One 204-pin 2 GB 1333MHz single-channel, 2GB DDR3L SDRAM pre-installed (system max. 8GB)	One 204-pin 2 GB 1333MHz single-channel, 2GB DDR3L SDRAM pre-installed (system max. 8GB)	
	Ethernet	2 x PCIe GbE by RTL8111E controller	2 x PCIe GbE by RTL8111E controller	
	Audio Codec	ALC892	ALC892	
Storage	mSATA		mSATA 2.5" SATA 3Gb/s HDD bay	
I/O Ports & Switch	1 x RS-232 COM port (RJ-45 connector) 1 x RS-232/422/485 COM port (DB-9 connector)(RI/5V/12V) 2 x USB 3.0 2 x USB 2.0 2 x RJ-45 for GbE LAN 1 x Power switch 1 x Audio port (line-out) 1 x Reset button 1 x AT/ATX switch 1 x 9-30V DC lockable power jack		1 x RS-232 COM port (RJ-45 connector) 1 x RS-232/422/485 COM port (DB-9 connector)(RI/5V/12V) 2 x USB 3.0 2 x USB 2.0 2 x RJ-45 for GbE LAN 1 x Power switch 1 x Audio port (line-out) 1 x Reset button 1 x AT/ATX switch 1 x 9-30V lockable power jack	
	E-Window Expansion	N/A		Yes, optional
	Audio	AMP 2W + 2W (internal speaker)		AMP 3W + 3W (internal speaker)
	Camera and Microphone	2-megapixel with low light function, digital microphone		
	Wireless	IEEE 802.11a/b/g/n/ac (PCIe mini slot)		
	OSD Function	Software OSD		
	Physical	Front Panel Construction	PC + ABS Plastic	
		Mounting	Panel, Wall, Stand, Arm VESA 75mm x 75mm	Panel, Wall, Rack, Stand and Arm VESA 75mm x 75mm / 100mm x 100mm
Color		Black C		
Dimensions (WxHxD) (mm)		262 x 181 x 42	304 x 243 x 44	
Cut-out Dimensions (WxH) (mm)		236 x 149	243 x 205	
Net/Gross Weight (kgs)		1.06/2.58	1.92/3.95	
Environment	Operating Temperature (°C) (Ambient with air flow)	-10°C~50°C	-20°C~50°C	
	Storage Temperature (°C)	-20°C~60°C	-20°C~60°C	
	Humidity	10% to 95% (non-condensing)		
	IP Level	IP 64 compliant front panel		
	Safety&EMC	CE / FCC		
Power	Thermal Solution	Fanless		
	Power Requirement	9 V ~ 30 V		
	Power Consumption	12V@2.3A (Intel® J1900 CPU with 2GB 1333 MHz DDR3L memory)	12V@3.58A (Intel® J1900 CPU with 2GB 1333 MHz DDR3L memory)	

- 1 IEIMobile Solutions
- 2 Automation Panel Solutions
- 3 Healthcare Panel PC Solution
- 4 Industrial System
- 5 O'Ring Network Communication
- 6 Automation Control
- 7 Optional Peripherals

## Ordering Information

Part No.	Description
AFL3-W10A-BT-J1/PC/2G-R10	10.1" 350cd/m <sup>2</sup> 1280 x 800 fanless panel PC with Intel® Celeron® J1900 quad core 2 GHz, 802.11a/b/g/n/ac, projected capacitive touch screen, 2GB DDR3L RAM, 2-megapixel camera, microphone, R10
AFL3-12A-BT-J1/PC/2G-R12	12.1" 500 cd/m <sup>2</sup> XGA fanless panel PC with Intel® Celeron® J1900 quad core 2 GHz, 802.11a/b/g/n/ac, projected capacitive touch screen, 2GB DDR3L RAM, 2-megapixel camera, microphone, R12
AFL3-12A-BT-J1/R/2G-R12	12.1" 500 cd/m <sup>2</sup> XGA fanless panel PC with Intel® Celeron® J1900 quad core 2 GHz, 802.11a/b/g/n/ac, resistive touch screen, 2GB DDR3L RAM, 2-megapixel camera, microphone, R12

## Options

Item	AFL3-W10A-BT	AFL3-12A-BT
Panel Mounting Kit	AFL3PK-08A-R10	AFL3PK-08A-R10
Wall Mounting Kit	AFLWK-12	AFLWK-19B
Rack Mounting Kit	AFL3RK-W10A-R10	AFL3RK-12A-R10
Arm	ARM-11-RS/ARM-31-RS	ARM-11-RS/ARM-31-RS
Stand	STAND-A12-RS/STAND-C12-R10/STAND-100-RS	STAND-A12-RS/STAND-C12-R10/STAND-100-RS
V-Stand	VSTAND-A10-R11	VSTAND-A12-R11
Magnetic Card Reader	AFL3P-W10MSR-U-R10	AFL3P-W10MSR-U-R10
Barcode Scanner	AFL3-2D-R10	AFL3-2D-R10
RFID Reader **(13.56 MHz Mifare Type) for ATO assembly	AFL3-MF-RFID-KIT02-R10	AFL3-MF-RFID-KIT02-R10*
*OS: Win 7 Embedded (64-bit)	AFL3-W07A-BT-WES7P64-R11** (for PCAP touch)	AFL3-W07A-BT-WES7P64-R11* (for PCAP touch) AFL3-W07A-BT-WES7E64-R11* (for Resistive touch)
*OS: Win 8 Embedded (64-bit)		AFL3-W07A-BT-WE8S64-R10*
*OS: Win 10 IOT Enterprise		AFL3-W07A-BT-W10E64-R10

\*\*RFID support after AFL3-xxA-BT R11 version

\*OS image with CD-ROM without storage

### E-Window (for ATO assembly)

Part No.	Description	Supported Model
E-MPCIE-LAN-R10	PCIe mini card supports 1-port GbE with REALTEK RTL8111E controller, with PMS 194C I/O bracket and 250mm cable, R10	AFL3-12A-BT-J1/PC/2G-R12 AFL3-12A-BT-J1/R/2G-R12
E-MPCIE-DLAN-R10	PCIe mini card supports 2-port GbE with Intel I211 controller, with PMS 194C I/O bracket and 250mm cable, R10	
E-MPCIE-3G-R10	PCIe mini card supports 3G WWAN Module, with PMS 130C I/O bracket, 300mm RF antenna cable and GSM antenna cable, R10	

### E-Window



E-Window  
(for ATO assembly)

## Packing List

Item	Part No.	Q'ty	Description
One Key Recovery DVD	7B000-001083-RS	1	
Round head machine screw	44003-020041-RS (12A-BT)	2	M2*4 round head machine screw
Pan head machine screw	44403-040061-RS	4	M4*6 pan head machine screw
Fix holder	46003-009500-RS	2	
Power cord	32702-000200-100-RS	1	
Power adapter	63040-010036-121-RS (AFL3-W10A-BT) 63040-010060-120-RS (AFL3-12A-BT)	1	36W; Vin: 90V~264V AC; Vout: 12VDC 60W; Vin: 90V~264V AC; Vout: 12VDC
Driver CD		1	
RJ-45 to DB-9 COM port transfer cable	32005-000200-200-RS	1	300mm, 26AWG, (A) D-SUB 9 male, (B) RJ-45
Touch pen	43125-0002C0-00-RS	1	Resistive touch screen only



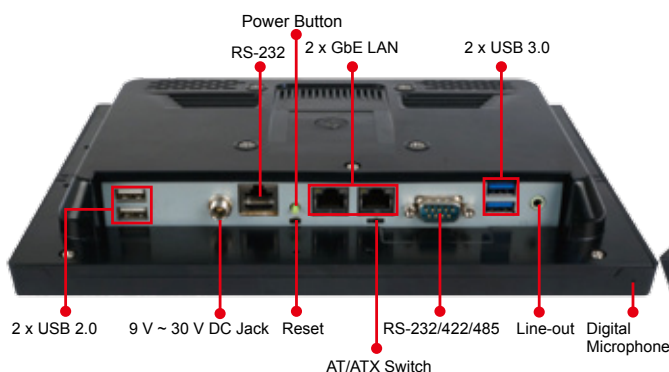
AFL3-12A

RFID

Card Reader

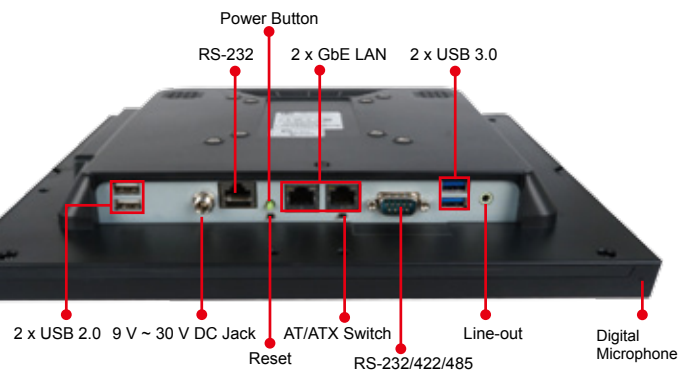
### AFL3-W10A

#### Fully Integrated I/O



### AFL3-12A

#### Fully Integrated I/O



1

IEI Mobile Solutions

2

Automation Panel Solutions

3

Healthcare Panel PC Solution

4

Industrial System

5

ORing Network Communication

6

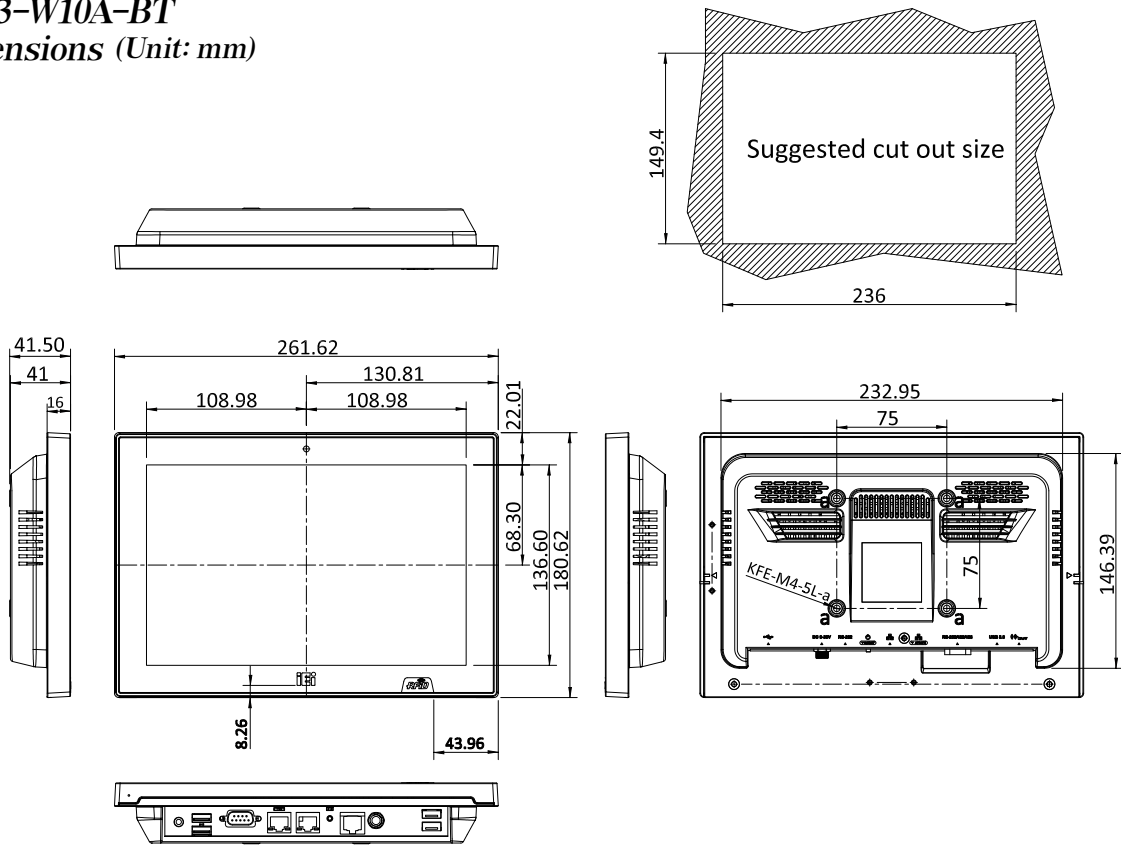
Automation Control

7

Optional Peripherals

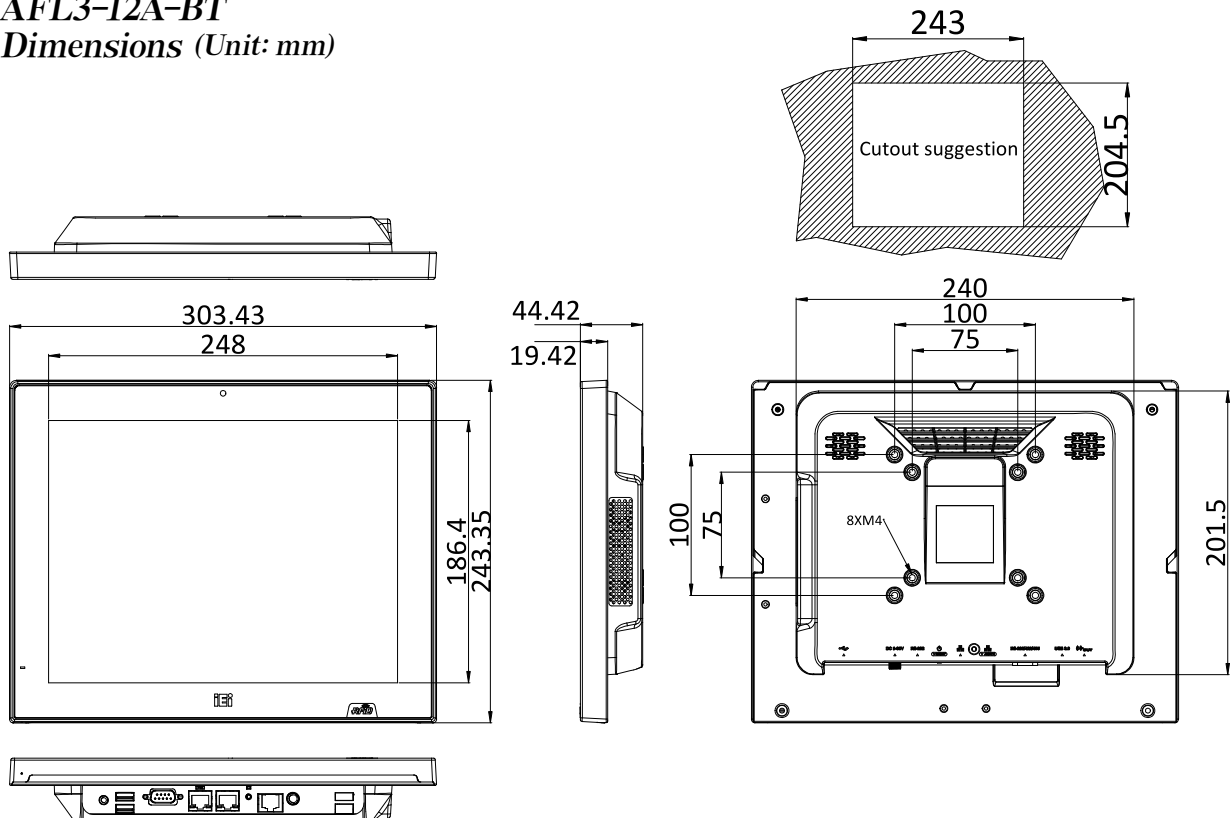
**AFL3-W10A-BT**

Dimensions (Unit: mm)



**AFL3-12A-BT**

Dimensions (Unit: mm)



# AFL3-W15A-BT

Intel® Celeron® J1900 (Quad Core, 2.0 GHz)

# AFL3-W15B-H81

Intel® Core™ i7/i5/i3, Pentium® and Celeron®

# AFL3-W15C-ULT3

Intel® Core™ i5 and Celeron® ULT Processor



## Features

- W15" light industrial interactive panel PC
- 9 V ~ 30 V wide range DC power input
- Selectable AT/ATX power mode
- Built-in speakers
- One mSATA slot
- IP64 compliant front panel
- IEI One Key Recovery solution allows you to create rapid OS backup and recovery (suggested with over 4GB storage capacity)



## Specifications

Model		AFL3-W15A-BT	AFL3-W15B-H81	AFL3-W15C-ULT3		
LCD	Size	15.6"				
	Resolution	1366 x 768 (16:9)				
	Brightness (cd/m <sup>2</sup> )	300				
	Contrast Ratio	700:1				
	LCD Color	16.7M				
	Pixel Pitch (mm)	0.240 (H) x 0.240 (V)				
	Viewing Angle (H-V)	160° / 160°				
	Backlight MTBF(hrs)	50000 (LED backlight)				
Touch Screen	5-wire resistive type with RS-232 interface / projected capacitive type with USB interface					
Touch Controller	PenMount DMC9000 / EETI EXC3188	PenMount DMC9000 / EETI EXC7200	PenMount DMC9000 / EETI EXC3188			
Motherboard	CPU	Intel® Celeron® J1900 (quad core, 2 GHz)	Intel® Core™ i7/i5/i3, Pentium®, Celeron® processor (TDP 35W)	6th Generation Intel® Core™ i5 and Celeron® on-board processor		
	Chipset	Intel® H81				
	RAM	One 204-pin 1333 MHz single-channel DDR3L SDRAM, 2GB pre-installed (system max. 8GB)	Two 204-pin 1333 MHz single-channel DDR3L SDRAM, 4GB pre-installed (system max. 16GB)	Two 260-pin 2133/1867 MHz dual-channel DDR4 SO-DIMMs (system max. 32 GB)		
	Ethernet	2 x PCIe GbE by RTL8111E controller			2 x Intel® I211 PCIe GbE controller	
Audio Codec	ALC892					
Storage	(1) 1 x mSATA (2) 1 x 2.5" SATA 3Gb/s HDD bay			(1) 1 x 2.5" SATA 3Gb/s HDD bay (2) 1 x M.2 M key PCIe storage (2280 or 22110) (3) 1 x mSATA slot		
I/O Ports & Switch	1 x RS-232 COM port (RJ-45 connector) 1 x RS-232/422/485 COM port (DB-9 connector) (RI/5V/12V) 2 x USB 2.0 2 x USB 3.0 2 x GbE LAN 1 x Power switch 1 x Reset button 1 x AT/ATX switch 1 x Audio port (line-out) 1 x 9-30V lockable power jack		1 x RS-232 COM port (DB-9 connector) 1 x RS-232/422/485 COM port (DB-9 connector) (RI/5V/12V) 2 x GbE LAN 4 x USB 2.0 4 x USB 3.0 2 x GbE LAN 1 x HDMI output 1 x Power switch 1 x Reset button 1 x AT/ATX switch 1 x Audio port (line-out) 1 x 9-30V lockable power jack		1 x RS-232 by DB-9 (RI/5V/12V) 1 x RS-232/422/485 by DB-9 (RI/5V/12V) 2 x GbE LAN 4 x USB 3.0 1 x HDMI output 1 x Power switch 1 x Reset button 1 x AT/ATX switch 1 x 9-30V lockable power jack	
	E-Window Expansion	Yes, optional	N/A		Yes, optional	
	Audio	AMP 3W + 3W (internal speakers)				
	Camera and Microphone	2-megapixel with low light function, digital microphone				
	Wireless & Bluetooth	IEEE 802.11a/b/g/n/ac (PCIe Mini slot)	IEEE 802.11a/b/g/n/ac, Bluetooth v4.0 (PCIe Mini slot)		IEEE 802.11a/b/g/n/ac, Bluetooth v4.0 (M.2 slot)	
	OSD Function	Software OSD				
	Physical	Front Panel Construction	PC + ABS Plastic			
		Mounting	Panel, Wall, Rack, Stand and Arm VESA 75mm x 75mm / 100mm x 100mm			
		Color	Black C			
		Dimensions (WxHxD) (mm)	396 x 250 x 53	396 x 250 x 59		396 x 250 x 64
Cut-out Dimensions (WxH) (mm)		273 x 226	369 x 226		369 x 226	
Net/Gross Weight (kgs)		3.3/5.6	3.74/5.74		4.5/6.5	
Environment	Operating Temperature (°C) (Ambient with air flow)	-20°C~50°C	0°C~50°C		-20°C~50°C	
	Storage Temperature (°C)	-20°C~60°C				
	Humidity	10% to 95% (non-condensing)				
	IP Level	IP 64 compliant front panel				
	Safety & EMC	CE / FCC				
Power	Thermal Solution	Fanless	Smart Fan		Fanless	
	Power Requirement	9 V ~ 30 V				
	Power Consumption	12V@4.16A (Intel® J1900 CPU with 2GB 1333 MHz DDR3 memory)	12V@6.33A (Intel® Pentium® G3320TE CPU with 4GB 1333 MHz DDR3L memory)		12V@.6A (Intel® Core™ i5-6300U CPU with 4GB DDR4 2133 MHz DDR4 memory)	

1

IEIMobile Solutions

2

Automation Panel Solutions

3

Healthcare Panel PC Solution

4

Industrial System

5

ORing Network Communication

6

Automation Control

7

Optional Peripherals

## Ordering Information

### ● Intel® Celeron® Platform

Part No.	Description
AFL3-W15A-BT-J1/PC/2G-R12	Wide 15.6" 300 cd/m <sup>2</sup> 1366 x 768 fanless panel PC with Intel® Celeron® J1900 quad core 2 GHz, 802.11a/b/g/n/ac, projected capacitive touch screen, 2GB DDR3L RAM, 2-megapixel camera, microphone, R12
AFL3-W15A-BT-J1/R/2G-R12	Wide 15.6" 300 cd/m <sup>2</sup> 1366 x 768 fanless panel PC with Intel® Celeron® J1900 quad core 2 GHz, 802.11a/b/g/n/ac, resistive touch window, 2GB DDR3L RAM, 2-megapixel camera, microphone, R12

### ● Intel® H81 Platform

Part No.	Description
AFL3-W15B-H81-P/R/4G-R10	Wide 15.6" 300 cd/m <sup>2</sup> 1366 x 768 panel PC with Intel® H81 chipset, Intel® Pentium® G3320TE dual-core processor (2.3 GHz), TDP 35W, two 2GB DDR3 RAM, 802.11a/b/g/n/ac, resistive touch screen, 2-megapixel camera, microphone, R10
AFL3-W15B-H81-i3/R/4G-R10	Wide 15.6" 300 cd/m <sup>2</sup> 1366 x 768 panel PC with Intel® H81 chipset, Intel® Core™ i3-4330TE dual-core processor (2.4 GHz), TDP 35W, two 2GB DDR3 RAM, 802.11a/b/g/n/ac, resistive touch screen, 2-megapixel camera, microphone, R10
AFL3-W15B-H81-i5/R/4G-R10	Wide 15.6" 300 cd/m <sup>2</sup> 1366 x 768 panel PC with Intel® H81 chipset, Intel® Core™ i5-4570TE dual-core processor (2.7 GHz), TDP 35W, two 2GB DDR3 RAM, 802.11a/b/g/n/ac, resistive touch screen, 2-megapixel camera, microphone, R10
AFL3-W15B-H81-P/PC/4G-R10	Wide 15.6" 300 cd/m <sup>2</sup> 1366 x 768 panel PC with Intel® H81 chipset, Intel® Pentium® G3320TE dual-core processor (2.3 GHz), TDP 35W, two 2GB DDR3 RAM, 802.11a/b/g/n/ac, PCAP touch screen, 2-megapixel camera, microphone, R10
AFL3-W15B-H81-i3/PC/4G-R10	Wide 15.6" 300 cd/m <sup>2</sup> 1366 x 768 panel PC with Intel® H81 chipset, Intel® Core™ i3-4330TE dual-core processor (2.4 GHz), TDP 35W, two 2GB DDR3 RAM, 802.11a/b/g/n/ac, PCAP touch screen, 2-megapixel camera, microphone, R10
AFL3-W15B-H81-i5/PC/4G-R10	Wide 15.6" 300 cd/m <sup>2</sup> 1366 x 768 panel PC with Intel® H81 chipset, Intel® Core™ i5-4570TE dual-core processor (2.7 GHz), TDP 35W, two 2GB DDR3 RAM, 802.11a/b/g/n/ac, PCAP touch screen, 2-megapixel camera, microphone, R10

### ● Intel® Skylake ULT3 Platform

Part No.	Description
AFL3-W15C-ULT3-C/R/4G-R10	Wide 15.6" 300 cd/m <sup>2</sup> 1366 x 768 panel PC with with Intel® 14nm 6th generation mobile Celeron® 3955U (15W) on-board processor (ULT), one 4GB DDR4 RAM, 802.11a/b/g/n/ac Wi-Fi module, resistive touch, 2-megapixel camera, microphone, R10
AFL3-W15C-ULT3-i5/R/4G-R10	Wide 15.6" 300 cd/m <sup>2</sup> 1366 x 768 panel PC with Intel® 14nm 6th generation mobile Core™ i5-6300U (15W) on-board processor (ULT), one 4GB DDR4 RAM, 802.11a/b/g/n/ac Wi-Fi module, resistive touch, 2-megapixel camera, microphone, R10
AFL3-W15C-ULT3-C/PC/4G-R10	Wide 15.6" 300 cd/m <sup>2</sup> 1366 x 768 panel PC with with Intel® 14nm 6th generation mobile Celeron® 3955U (15W) on-board processor (ULT), one 4GB DDR4 RAM, 802.11a/b/g/n/ac Wi-Fi module, PCAP touch, 2-megapixel camera, microphone, R10
AFL3-W15C-ULT3-i5/PC/4G-R10	Wide 15.6" 300 cd/m <sup>2</sup> 1366 x 768 panel PC with Intel® 14nm 6th generation mobile Core™ i5-6300U (15W) on-board processor (ULT), one 4GB DDR4 RAM, 802.11a/b/g/n/ac Wi-Fi module, PCAP touch, 2-megapixel camera, microphone, R10

## Options

Item	AFL3-W15A-BT	AFL3-W15B-H81	AFL3-W15C-ULT3
Panel Mounting Kit	AFL3PK-W15A-R10	AFL3PK-W15A-R10	AFL3PK-W15A-R10
Wall Mounting Kit		AFLWK-19B	
Rack Mounting Kit	AFL3RK-W15A-R11	AFL3PK-W15B-R11	AFL3RK-W15C-R10
Arm		ARM-11-RS/ARM-31-RS	
Stand		STAND-A21-R10/ STAND-210-R11/STAND-A19-RS/STAND-C19-R10	
Magnetic Card Reader		AFL3P-W10MSR-U-R10	
Barcode Scanner		AFL3-2D-R10	
RFID Reader (13.56 MHz Mifare Type) (for ATO assembly)	AFL3-MF-RFID-KIT02-R10**	AFL3-MF-RFID-KIT02-R10	AFL3-MF-RFID-KIT02-R10
*OS: Win 7 Embedded (64-bit)	AFL3-W07A-BT-WES7P64-R11 (for PCAP touch) AFL3-W07A-BT-WES7E64-R11 (for resistive touch)	AFL3-W15B-H81-WES7P64-R10 (for PCAP touch) AFL3-W15B-H81-WES7E64-R10 (for resistive touch)	AFL3-W15C-ULT3-WES7P64-R10 (for PCAP touch) AFL3-W15C-ULT3-WES7E64-R10 (for resistive touch)
*OS: Win 8 Embedded (64-bit)		AFL3-W07A-BT-WE8S64-R10	
*OS: Win 10 IoT Enterprise (64-bit)		AFL3-W07A-BT-W10E64-R10	

\*\*RFID is supported after AFL3-xxA-BT R11 version

\*OS image with CD-ROM without storage

### E-Window (for ATO assembly)

Part No.	Description	Supported Model
E-MPCIE-LAN-R10	PCIe Mini card supports 1-port GbE with Realtek RTL8111E controller, with PMS 194C I/O bracket and 250mm cable, R10	AFL3-W15A-BT-J1/PC/2G-R12 AFL3-W15A-BT-J1/R/2G-R12 AFL3-W15C-ULT3-C/R/4G-R10 AFL3-W15C-ULT3-i5/R/4G-R10 AFL3-W15C-ULT3-C/PC/4G-R10 AFL3-W15C-ULT3-i5/PC/4G-R10
E-MPCIE-DLAN-R10	PCIe Mini card supports 2-port GbE with Intel I211 controller, with PMS 194C I/O bracket and 250mm cable, R10	AFL3-W15A-BT-J1/PC/2G-R12 AFL3-W15A-BT-J1/R/2G-R12
E-MPCIE-CClink-R10	PCIe Mini card supports CC-Link Slave interface according to V2.0 and V1.1, with PMS black C I/O bracket and 250mm cable, R10	
E-MPCIE-PROFIBUS-R10	PCIe Mini card supports universal PROFIBUS DP card for Master or Slave, with PMS black C I/O bracket and 250mm cable, R10	AFL3-W15C-ULT3-i5/R/4G-R10 AFL3-W15C-ULT3-C/PC/4G-R10 AFL3-W15C-ULT3-i5/PC/4G-R10
E-MPCIE-EtherCAT-R10	PCIe Mini card supports universal Real-Time Ethernet protocols, with PMS black C I/O bracket and 280mm cable, R10	
E-MPCIE-3G-R10	PCIe Mini card supports 3G WWAN module, with PMS 130C I/O bracket, RF antenna 300mm cable and GSM antenna cable, R10	

1

IEIMobile Solutions

2

Automation Panel Solutions

3

Healthcare Panel PC Solution

4

Industrial System

5

ORing Network Communication

6

Automation Control

7

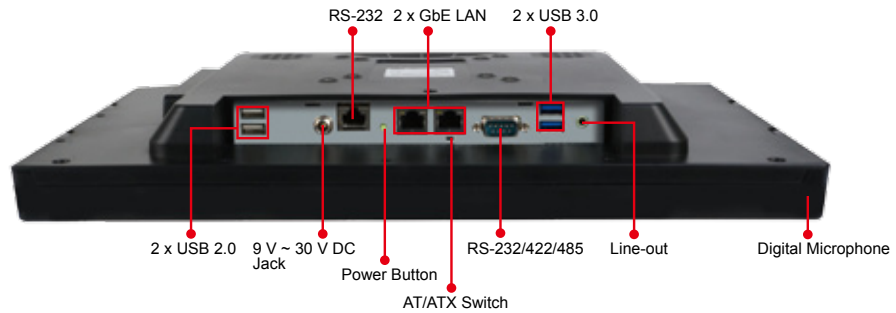
Optional Peripherals



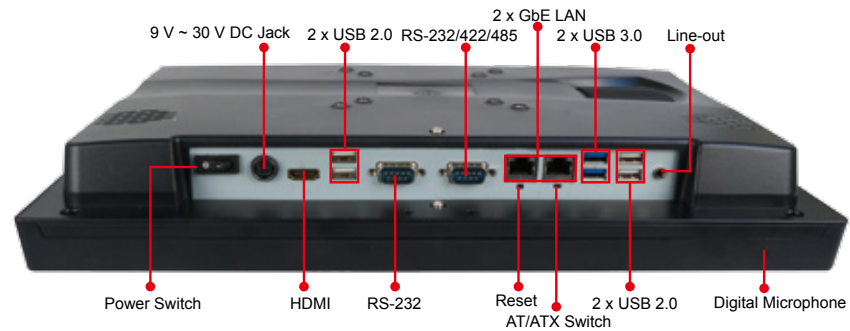
## Packing List

Item	Part No.	Q'ty	Description
One Key Recovery DVD	7B000-001083-RS	1	
Round head machine screw	44003-020041-RS (W15A-BT/15B-H81)	4	M2*4 round head machine screw
Pan head machine screw	44403-040061-RS	4	M4*6 pan head machine screw
Fix holder	46003-009500-RS	2	
Power cord	32702-000200-100-RS	1	
Power adapter	63040-010060-120-RS (W15A-BT)	1	60W; Vin: 90V~264V AC; Vout: 12VDC
	63040-010096-100-RS	1	96W; Vin: 90V~264V AC; Vout: 12VDC
Driver CD		1	
RJ-45 to DB-9 COM port transfer cable	32005-000200-200-RS (W15A-BT)	1	300mm, 26AWG, (A) D-SUB 9 male, (B) RJ-45
Touch pen	43125-0002C0-00-RS	1	Resistive touch screen only

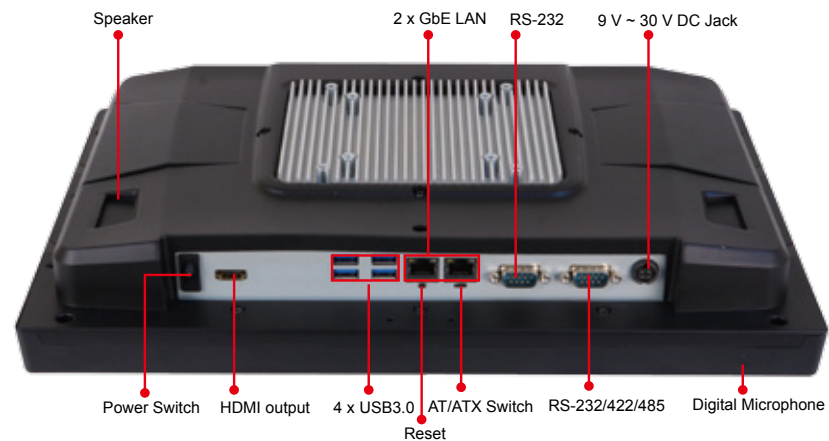
### AFL3-W15A-BT Fully Integrated I/O



### AFL3-15B-H81 Fully Integrated I/O



### AFL3-W15C-ULT3 Fully Integrated I/O



1

IEIMobile Solutions

2

Automation Panel Solutions

3

Healthcare Panel PC Solution

4

Industrial System

5

ORing Network Communication

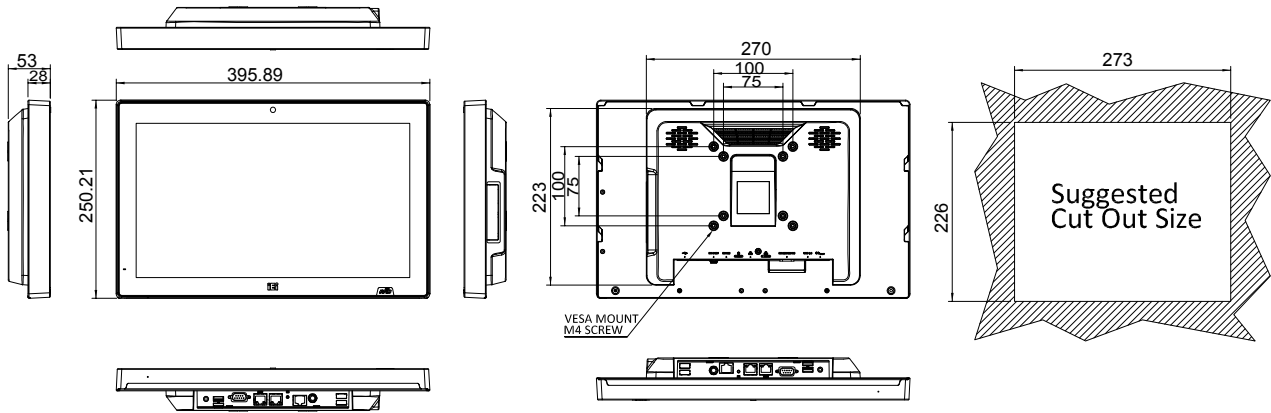
6

Automation Control

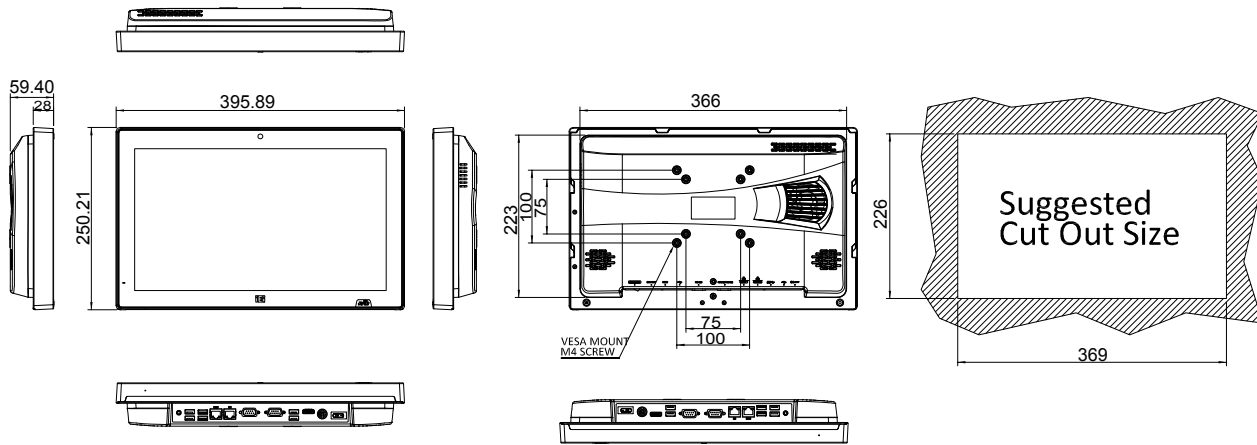
7

Optional Peripherals

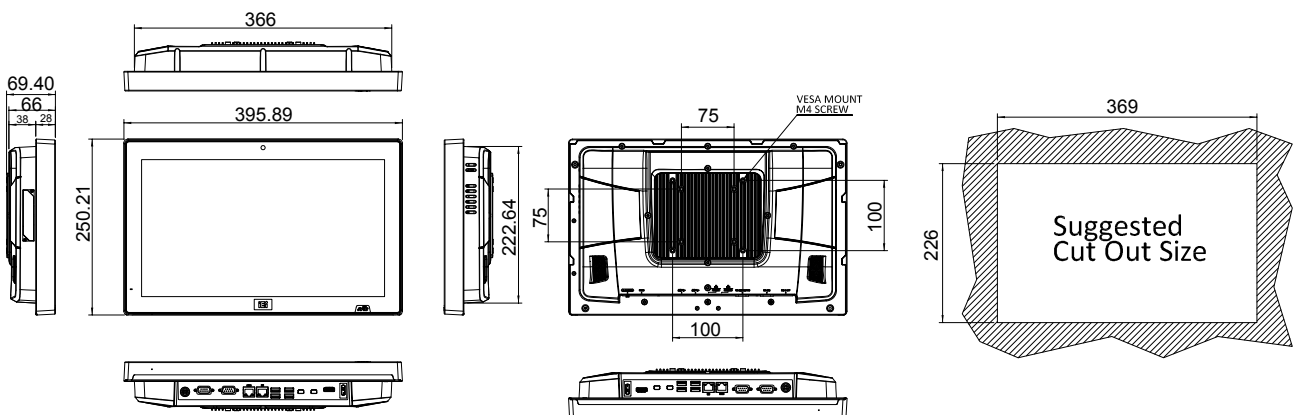
**AFL3-W15A-BT**  
Dimensions (Unit: mm)



**AFL3-W15B-H81**  
Dimensions (Unit: mm)



**AFL3-W15C-ULT3**  
Dimensions (Unit: mm)



- 1 IEIMobile Solutions
- 2 Automation Panel Solutions
- 3 Healthcare Panel PC Solution
- 4 Industrial System
- 5 ORing Network Communication
- 6 Automation Control
- 7 Optional Peripherals

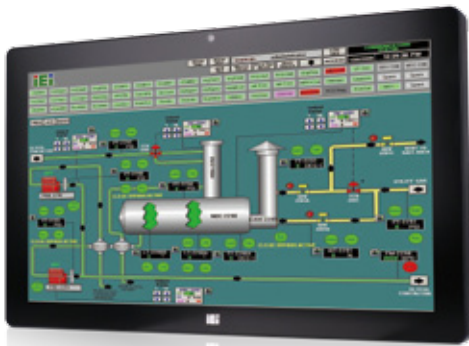
# AFL3-W19C-ULT3

Intel® Core™ i5 and Celeron® ULT Processor



# AFL3-W22C-ULT3

Intel® Core™ i5 and Celeron® ULT Processor



## Features

- W19" / W21.5 light industrial interactive panel PC
- 9 V ~ 30 V wide range DC power input
- Selectable AT/ATX power mode
- Built-in speakers
- One mSATA slot
- IP64 compliant front panel
- IEI One Key Recovery solution allows you to create rapid OS backup and recovery (suggested with over 4GB storage capacity)



## Specifications

Model		AFL3-W19C-ULT3 <b>New</b>	AFL3-W22C-ULT3 <b>Preliminary</b>
LCD	Size	18.5"	21.5"
	Resolution	1366 x 768 (16:9)	1920 x 1080
	Brightness (cd/m <sup>2</sup> )	250	250
	Contrast Ratio	1000:1	1000:1
	LCD Color	262K	16.7M
	Pixel Pitch (mm)	0.240 (H) x 0.240 (V)	248.25 (H) x 248.25 (V)
	Viewing Angle (H-V)	170°/160°	170°/160°
	Backlight MTBF (hrs)	30,000 (LED backlight panel)	30,000 (LED backlight panel)
Touch	Touch Screen	Projected capacitive type with USB interface	
	Touch Controller	EETI EXC3180	
Motherboard	CPU	Intel® Core™ i5 and Celeron® ULT Processor	
	RAM	Two 260-pin DDR4 SO-DIMMs (system max.32GB)	
	Ethernet	2 x Intel® I211-AT PCIe GbE controller	
	Audio Codec	ALC892	
Storage	(1) 1 x 2.5" SATA 3Gb/s HDD bay (2) 1 x M.2 M key PCIe storage (2280 or 22110) (3) 1 x mSATA slot		
I/O Ports & Switch	1 x RS-232 by DB-9 (RI/5V/12V) 1 x RS-232/422/485 by DB-9 (RI/5V/12V) 2 x GbE LAN 4 x USB 3.0 1 x HDMI output 1 x Power switch 1 x Reset button 1 x AT/ATX switch 1 x 9-30V lockable power jack		1 x RS-232 by DB-9 (RI/5V/12V) 1 x RS-232/422/485 by DB-9 (RI/5V/12V) 2 x GbE LAN 4 x USB 3.0 1 x HDMI output 1 x Power switch 1 x Reset button 1 x AT/ATX switch 1 x 9-30V lockable power jack
	AMP 3W + 3W (internal speaker)		
Camera and Microphone	2-megapixel with low light function, digital microphone		
Wireless & Bluetooth	IEEE 802.11a/b/g/n/ac, Bluetooth v4.0 (M.2 slot)		
OSD Function	Software OSD		
Physical	Front Panel Construction	PC + ABS Plastic	PC + ABS Plastic
	Mounting	Panel, Wall, Rack, Stand and Arm VESA 75mm x 75mm / 100mm x 100mm	Panel, Wall, Stand and Arm VESA 75mm x 75mm / 100mm x 100mm
	Color	Black C	Black C
	Dimensions (W x H x D) (mm)	470 x 290 x 70	528 x 336 x 68
	Cut-out Dimensions (W x H) (mm)	443 x 261	451 x 303
	Net/Gross Weight (kgs)	7.3/10	8.27/11.27
Environment	Operating Temperature (°C) (Ambient with air flow)	-20°C ~ 50°C	
	Storage Temperature (°C)	-20°C ~ 60°C	
	Humidity	10% to 95% (non-condensing)	
	IP Level	IP 64 compliant front panel	
	Safety & EMC	CE / FCC	
	Thermal Solution	Fanless	
Power	Power Requirement	9 V ~ 30 VDC	
	Power Consumption	12V@7.1A	12V@6A

1

IEIMobile Solutions

2

Automation Panel Solutions

3

Healthcare Panel PC Solution

4

Industrial System

5

ORing Network Communication

6

Automation Control

7

Optional Peripherals

## Ordering Information

Part No.	Description
AFL3-W19C-ULT3-C/PC/4G-R10	Wide 18.5" 250 cd/m <sup>2</sup> 1366x768 Panel PC with withIntel® 14nm 6th Generation Mobile Celeron® 3955U (15W) on-board Processor (ULT), 1*4GB DDR4 RAM, 802.11a/b/g/n/ac WiFi module, PCAP touch, 2 M camera, microphone,R10
AFL3-W19C-ULT3-i5/PC/4G-R10	Wide 18.5" 250 cd/m <sup>2</sup> 1366x768 Panel PC with Intel® 14nm 6th Generation Mobile Core™ i5-6300U (15W) on-board Processor (ULT), 1*4GB DDR4 RAM, 802.11a/b/g/n/ac WiFi module, PCAP touch, 2 M camera, microphone,R10
AFL3-W22C-ULT3-C/PC/4G-R10	Wide 21.5" 250 cd/m <sup>2</sup> 1920x1080 Panel PC with withIntel® 14nm 6th Generation Mobile Celeron® 3955U (15W) on-board Processor (ULT), 1*4GB DDR4 RAM, 802.11a/b/g/n/ac WiFi module, PCAP touch, 2 M camera, microphone,R10
AFL3-W22C-ULT3-i5/PC/4G-R10	Wide 21.5" 250 cd/m <sup>2</sup> 1920x1080 Panel PC with withIntel® 14nm 6th Generation Mobile Core™ i5-6300U (15W) on-board Processor (ULT), 1*4GB DDR4 RAM, 802.11a/b/g/n/ac WiFi module, PCAP touch, 2 M camera, microphone,R10

## Options

Item	AFL3-W19C-ULT3	AFL3-W22C-ULT3
Panel Mounting Kit	AFL3PK-W19C-R10	AFL3PK-W22C-R10
Wall Mounting Kit	AFLWK-19B	AFLWK-19B
Rack Mounting Kit	AFL3RK-W19C-R10	N/A
Arm	ARM-11-RS/ARM-31-RS	ARM-11-RS/ARM-31-RS
Stand	STAND-A21-R10/ STAND-210-R11/STAND-A19-RS/STAND-C19-R10	STAND-A21-R10/ STAND-210-R11/STAND-A19-RS/STAND-C19-R10
Magnetic Card Reader	AFL3P-W10MSR-U-R10	AFL3P-W10MSR-U-R10
Barcode Scanner	AFL3-2D-R10	AFL3-2D-R10
RFID Reader (13.56 MHz Mifare Type) (For ATO assembly)	AFL3-MF-RFID-KIT02-R10	AFL3-MF-RFID-KIT02-R10
*OS: Win 7 Embedded (64-bit)	AFL3-W15C-ULT3-WES7P64-R10	AFL3-W15C-ULT3-WES7P64-R10
*OS: Win 10 IOT Enterprise (64-bit)	AFL3-W15C-ULT3-W10E64-R10	AFL3-W15C-ULT3-W10E64-R10

\*OS image with CD-ROM without storage

## E-Window (for ATO assembly)

Part No.	Description
E-MPCIE-LAN02-R10	PCIe mini card supports 1-port GbE with REALTEK RTL8111E controller, with PMS 194C I/O bracket and 340 mm cable, R10
E-MPCIE-CClink02-R10	PCIe mini card supports CC-Link Slave interface according to V2.0 and V1.1, with PMS black C I/O bracket and 300mm cable, R10
E-MPCIE-PROFIBUS02-R10	PCIe mini card supports universal PROFIBUS DP card for Master or Slave, with PMS black C I/O bracket and 300mm cable, R10
E-MPCIE-EtherCAT-R10	PCIe mini card supports universal for all Real-Time Ethernet protocols, with PMS black C I/O bracket and 280mm cable, R10
E-MPCIE-3G-R10	PCIe mini card supports 3G WWAN Module , with PMS 130C I/O bracket, RF antenna 300mm cable and GSM antenna cable, R10

## Packing List

Item	Part No.	Q'ty	Description
One Key Recovery DVD	7B000-001083-RS	1	
Round head machine screw	44403-040061-RS	4	M2*4 round head machine screw
Pan head machine screw	44003-030052-RS	4	M4*6 pan head machine screw
Power cord	32702-000200-100-RS	1	
Power adapter	63040-010096-100-RS	1	96W; Vin: 90V~264V AC; Vout: 12VDC
Driver CD		1	

1

IEIMobile Solutions

2

Automation Panel PC Solutions

3

Healthcare Panel PC Solution

4

Industrial System

5

ORing Network Communication

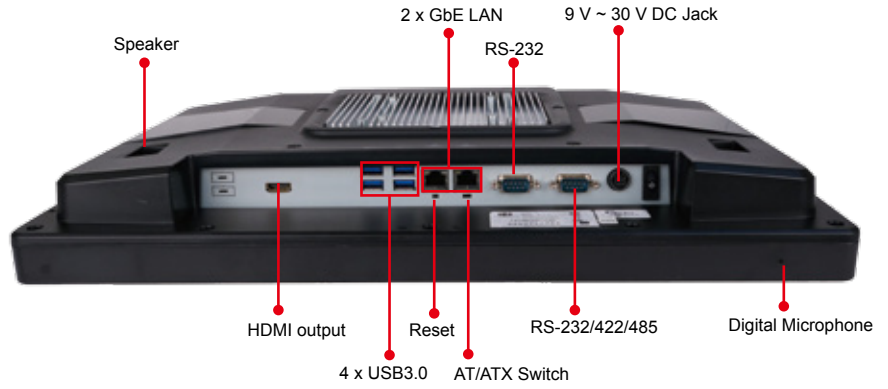
6

Automation Control

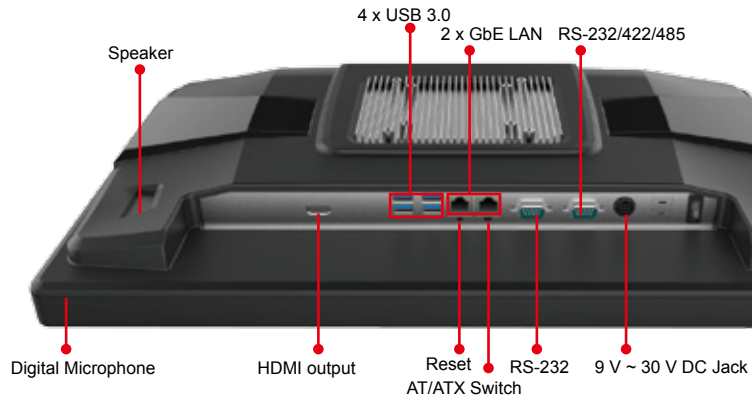
7

Optional Peripherals

**AFL3-W19C-ULT3**  
Fully Integrated I/O



**AFL3-W22C-ULT3**  
Fully Integrated I/O



1

IEIMobile Solutions

2

Automation Panel Solutions

3

Healthcare Panel PC Solution

4

Industrial System

5

ORing Network Communication

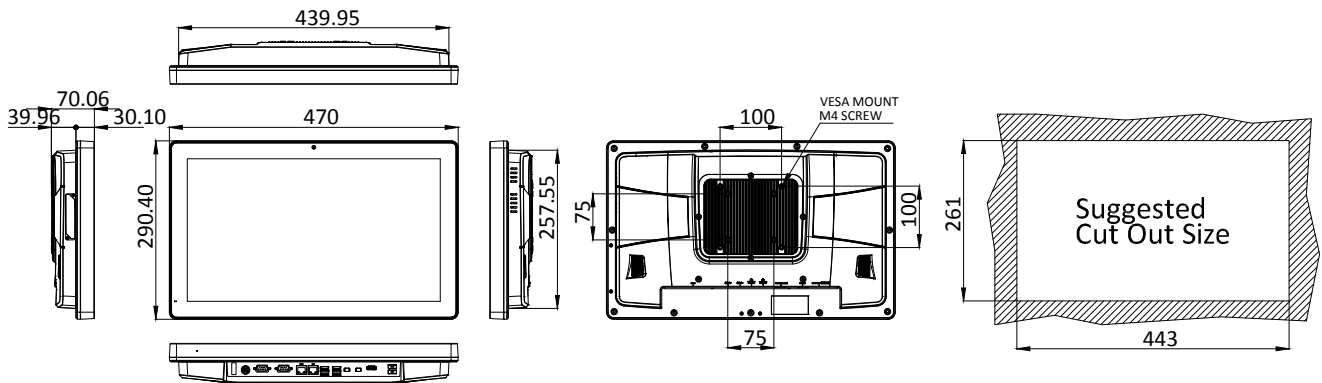
6

Automation Control

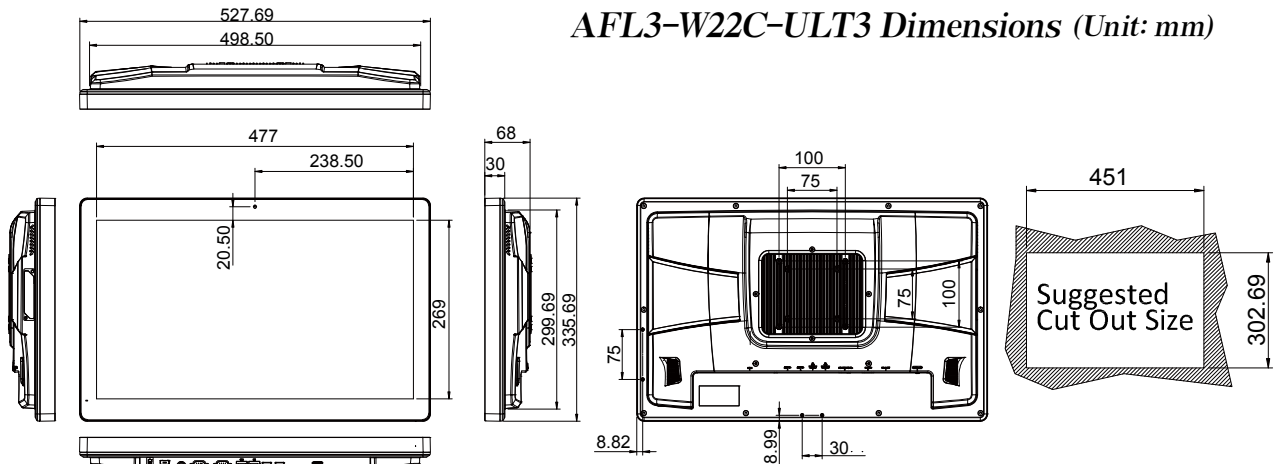
7

Optional Peripherals

**AFL3-W19C-ULT3 Dimensions (Unit: mm)**



**AFL3-W22C-ULT3 Dimensions (Unit: mm)**



# AFOLUX GEN II Panel PC

## New Flat Bezel, Multi-touch, Wide Voltage AFOLUX Panel PC

From the heritage of affordable Luxury AFOLUX Panel PC, AFOLUX II Panel PC shows it's spirit to exceed the history. The AFOLUX II Panel PC is slim and stylish and provides two types of touch option. RFID reader, wide voltage power input are its features which make it more flexible and more powerful than ever!

### Innovative product design:

- AFOLUX II flat bezel design is thinner than AFOLUX
- Projected capacitive multi-touch and resistive single touch screen options

### New technology and multiple functions:

- LED dash system for eye-catching notification
- Integrated EM/ Mifare RFID reader
- Light fanless temperature management
- 9 V ~36V DC wide voltage input fits all power requirements
- IEI Light Fanless technology allows the system to turn on/off fan automatically, enhancing system stability.
- Exclusive LED Light Bar Simulation displays light signals



## Rugged while Stylish

### Flat Bezel Design with IP64 Protection

AFOLUX II series is designed in flat bezel panel and against dust and water, enduring flawless operation.

#### Flat-bezel Features:

- Better visual effects
- No edge effect
- Sleek and stylish
- Easy to clean



### Enhanced Touch Technology – Projected Capacitive Touch

Projected capacitive touch panel is stronger and with higher transparency than the resistive type touch panel. It also supports Windows 7 multi-touch function compatible with glove-wearing users and enhancing ease-of-use.

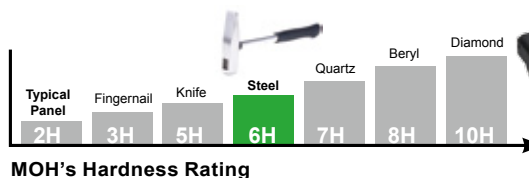


Glove-friendly multi-touch

Model	AFL2-17A-H61/PC	AFL2-17A-H61/R
Type of Touch	Projected capacitive type	5-wire resistive type touch
Touch Function	Multi-touch	Single-touch
Transparency	85%	78%
Hardness	≥6H	≥3H
Input Flexibility	Hand/ glove	Hand/ glove/ stylus

### 6H Anti-scratch Surface (Projected Capacitive Type Touchscreen)

Projected capacitive touch technology utilizes a durable glass front surface. 6H hardness is stronger than the conventional touch panel and therefore is able to protect the screen from damage.



1

IEIMobile Solutions

2

Automation Panel Solutions

3

Healthcare Panel PC Solution

4

Industrial System

5

O'Ring Network Communication

6

Automation Control

7

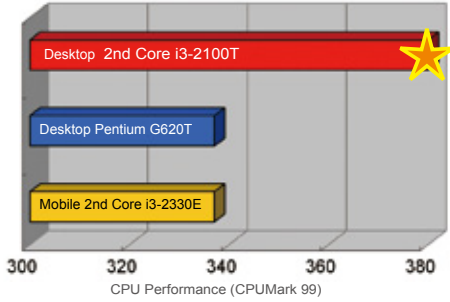
Optional Peripherals

# Superior Performance

## The Best C/P Value Intel® H61 Platform

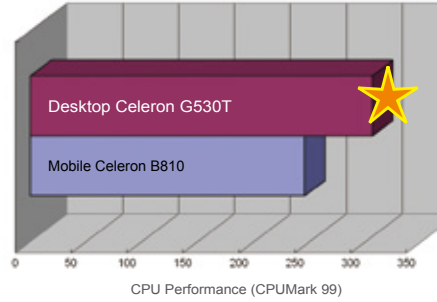
Comparing to mobile solution, Intel® H61 with desktop CPU provides low power consumption but high performance.

### Mobile 2nd Core i3 V.S. Desktop Pentium & 2nd Core i3



CPU Type	Intel® 2nd Core™ i3-2330E (Mobile 35W CPU)	Intel® Pentium® G620T (Desktop 35W CPU)	Intel® 2nd Core™ i3-2100T (Desktop 35W CPU)
CPU Performance (CPUMark 99)	337	337	380

### Mobile Celeron V.S. Desktop Celeron



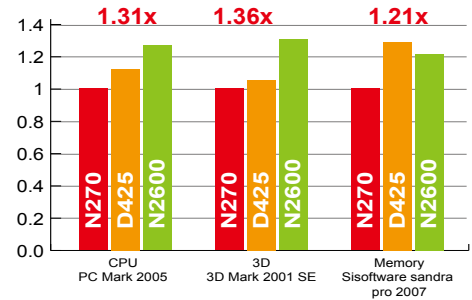
CPU Type	Intel® Celeron® B810 (Mobile 35W CPU)	Intel® Celeron® G530T (Desktop 35W CPU)
CPU Performance (CPUMark 99)	245	306

## Better Performance with Intel® Atom™ Cedarview Dual Core Processor

AFOLUX II Cedarview panel PC integrates with Intel dual core processor running with DDR3 memory. With fanless system, it reduces system noise and dust accumulation.

**N2600 CPU performance is 31% better than N270,**  
**Graphics performance is 36% better than N270,**  
**Memory performance is 21% better than N270**

Intel® Atom™ processor N270 (1.6GHz)  
 Intel® Atom™ processor D425 (1.8GHz)  
 Intel® Atom™ processor N2600 (1.6GHz)



1 IEMobile Solutions

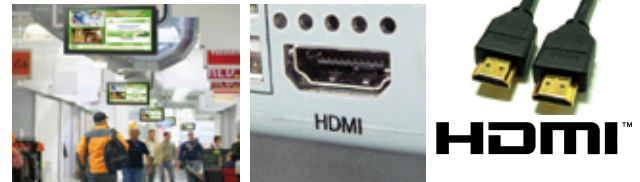
2 Automation Panel Solutions

## Secondary Display on Full HD

### Latest Display Technology: HDMI

HDMI is a compact audio/video interface for transferring uncompressed digital video data and compressed/uncompressed digital audio data from an HDMI-compliant device to a compatible digital audio device, computer monitor, video projector, or digital television. HDMI is a digital replacement for existing analog video standards.

	Maximum clock rate(MHz)	Maximum total TMDS throughput(Gbit/s)	Maximum color depth (bit/px.)	Maximum resolution over single link at 24-bit/px	Dolby TrueHD bitstream capable	3D over HDMI
Version 1.0 to 1.2	165	4.95	24	1920 x 1200	No	No
Version 1.3	340	10.2	48	2560 x 1600	Yes	No
Version 1.4	340	10.2	48	2096 x 2160	Yes	Yes



#### Advantages

- Backward compatible with DVI via an adapter.
- Support audio transport (v.s. DVI canonly transmit image).

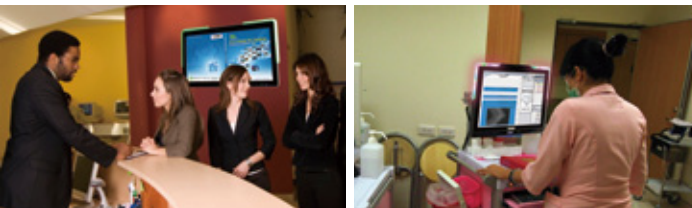
3 Healthcare Panel PC Solution

4 Industrial System

5 ORing Network Communication

### Latest Display Technology: DisplayPort

It's not only used to connect a video source to a display device, but also be used to transmit audio, USB, and other forms of data. DisplayPort lets you take advantage of today's high-bandwidth content, enabling you to create a professional and powerfully compelling digital signage solution.



Reception

Hospital-Medical Imaging

External connect to multiple display device



#### Advantages

- Backward compatible with DVI/HDMI with the adapter.
- Support multi-display: It can works with monitors, notebooks or all-in-one computers.

6 Automation Control

7 Optional Peripherals

# Flexible Design to Fit Various Scenarios

## Wide Application to Extreme Circumstance

Power supply requirement varies from applications. Incorrect voltage input will damage electronic components thus cause system break down. AFOLUX GEN II offers wide voltage power input, which fits different application scenarios and increase stability of the system.



### Wide range 9~36VDC input \*

Wide range DC input fits different power source depends on what circumstance needed.

**Wide Range Power Input** **9~ 36V DC\***



Automation Central Control



Factory Manufacture Control



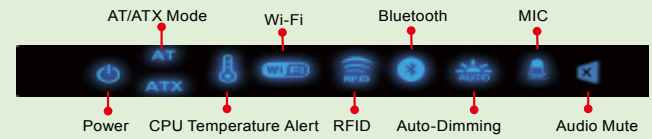
Truck Control (24V)

## Easy to Use

### LED Indicator and Function Key

- Function key can be more convenient for panel PC users to operate this panel without any keyboard or mouse.
- Indicator is located in front of panel, it can tell users which function is enable or disable


#### • LED Indicators



- Brightness of LED indicator can be set by manual (3-step) or auto-adjust by ambient light (new function support from AFL2-xxA-N26 R11, AFL2-xxA-N28-R11, AFL2-xxA-H61 R12, AFL2-W21A-H61 R10)



**• Function Key**



**(Fn) Fn**

**(Backlight) Backlight On/Off**

**(Speaker) Audio -**

**(Speaker) Audio +**

**(Gear) Brightness -**

**(Gear) Brightness +**

**(Fn) + (RFID) RFID Enable/Disable**

**(Fn) + (Speaker) Audio Mute**

**(Fn) + (Camera) Camera Enable/Disable**

**(Fn) + (USB) Front Side USB Enable/Disable**

**(Fn) + (Power) Power On / Off**

## Mini USB 2.0 Port & microSD Card Slot on Front Panel



### Mini USB 2.0

The AFOLUX GEN II new series has a mini USB 2.0 port on the front panel for easy connecting.

### MicroSD card

The AFOLUX GEN II new series has a microSD slot on the front panel for easier access.

## Auto-dimming Advantages



### Auto-dimming Advantages

- Power Consumption Saving
- Comfortable Viewing Brightness
- Extend Product Lifetime

### Auto-dimming

Automatically adjust the optimal brightness to fit the environment.



Day: Higher Ambient Luminance



Night: Lower Ambient Luminance

- 1  
IEIMobile Solutions
- 2  
Automation Panel Solutions
- 3  
Healthcare Panel PC Solution
- 4  
Industrial System
- 5  
ORing Network Communication
- 6  
Automation Control
- 7  
Optional Peripherals



# IEI Light Fanless System

IEI Light Fanless System is a highly effective smart system, embedded with a smart sensor to sense the ambient temperature. It can operate quietly with high performance in various applications, such as a patient's bedside multimedia platform, gaming machines, airport kiosks etc.

### Benefits

- **Power Saving**  
Auto switch on/off fan can reduce redundant power consumption
- **Expanding system lifecycle**  
Helping users to run system more effectively, it also enhances the lifecycle of CPU.
- **Effectively manage system environment**  
User can monitor the information of the system easily
- **High performance with noiseless**  
IEI supports noiseless situation to have quiet environment and high performance simultaneously.

Environment Temperature (°C)

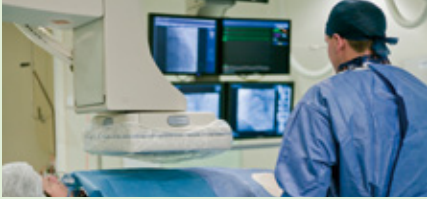
**High Performance With Light Fanless**

**Smart-Fan Mode**

**Light Fanless Mode**

iCMC Setting (default: 32°C)

### IEI Light Fanless Applications



Patient Bedside Entertainment System



Clean Room



Semi-outdoor Kiosk

## iCMC (IEI Cooling Management Console)



iCMC, IEI's exclusive software, provides reliable embedded features for system integrators. It simplifies integration for the AFOLUX II and upgrades system configuration from the BIOS level to the operating system level.

**Real-time Monitoring**

**CPU Information**

**Light Fanless Settings**

**Graphical Data**

## LED Light Visual Management



### Features

- Programmable LED RGB colors
- Signaling light display user demand
- Manual scripts for LED lighting programs
- 100% software programmable colors, light duration, and light patterns
- 30 light sections for AFL2-17A-H61, 34 light sections for AFL2-W19A-H61, 50 light sections for AFL2-W21A-H61, each light section can be configured independently.

**Function button**

**30/34/50 light buttons**

**Access key**

**Scripts**

**Full colors**

**Display time adjustment**

Support LED Light Bar control API for the customer to suit their own software program. Light bar signal are correspond to the light button. User can customize their own light patterns for different conditions.

### LED Dash Board for Visual Visual Alert System and Status Notification



Achieving a smooth production line



Medical care alert system



Showing appealing light simulation

# AFOLUX GEN II Selection Guide



	Model	AFL2-08A-N26	AFL2-10A-N28	AFL2-12A-HM65	AFL2-W15B-H61
LCD Specifications	Size	8"	10.4"	12.1"	W15.6" (16:9)
	Resolution	800 (W) x 600 (H)	800 (W) x 600 (H)	1024 (W) x 768 (H)	1366 (W) x 768 (H)
	Brightness (cd/m <sup>2</sup> )	250 cd/m <sup>2</sup>	400 cd/m <sup>2</sup>	600	300
	Contrast Ratio	500:1	700:1	700:1	500:1
	LCD Color	16.2 M	262K/16.2M	16.2 M	16.7M
	Pixel Pitch (mm)	0.2025(H) x 0.2025(V)	0.264 (H) x 0.264 (V)	0.240 (H) x 0.240 (V)	0.252 (H) x 0.252 (V)
	Viewing Angle (H-V)	140°(H) / 130°(V)	160°(H) / 140°(V)	160° / 140°	170° / 160°
	Backlight MTBF	30000 hrs (LED backlight)		50000 hrs (LED backlight)	
Touch	Touch Screen	5-wire resistive type with RS-232 interface		5-wire resistive type with RS-232 interface / projected capacitive type with USB interface	
	Touch Controller	PenMount DMC9000		PenMount DMC9000 (Resistive type) / EETI EXC7200 & EXC5400 (Projected capacitive type)	
System	CPU	Intel® Atom™ N2600 dual core 1.6 GHz CPU	Intel® Atom™ N2800 dual core 1.86 GHz CPU	2nd Generation Intel® Core™ i7/ i5/ i3 and Celeron® processor	2nd/3rd Generation of Intel®Core™ i7/i5/i3 and Pentium® processors
	Chipset	Intel® NM10		Intel® HM65	Intel® H61
	RAM	Support one 800 MHz 204-pin DDR3 SO-DIMM slot (max. 2GB) pre-installed with 2GB	Support one 1066MHz 204-pin DDR3 SO-DIMM slot (max. 4GB) pre-installed with 2GB	Support one 204-pin DDR3 SO-DIMM slot (max. 4GB)	Support two 204-pin DDR3 SO-DIMM slot (system Max. 16GB)
	Ethernet	Realtek RTL8111E PCIe GbE controller supporting ASF 2.0		Realtek RTL8111E PCIe GbE controller supports ASF 2.0	
	Audio Codec	Realtek ALC892 HD Audio codec		Realtek ALC888 HD Audio codec	Realtek ALC892 HD Audio codec
	Storage	mSATA	2.5" SATA 2.0 HDD bay	2.5" SATA 6Gb/s SSD bay mSATA	CF Type II socket
	Input / Output	1 x Mini USB 2.0 port on front panel 1 x MicroSD card slot on front panel 1 x Power switch 1 x AT/ATX switch 1 x Reset button 1 x Clear CMOS button 1 x DC input jack	1 x Mini USB 2.0 port on front panel 1 x MicroSD card slot on front panel Power switch 1 x AT/ATX switch 1 x Reset button 1 x Clear CMOS button 1 x DC input jack	1 x RS-232 (DB-9 connector) 1 x RS-232 (RJ-45 connector) 1 x RS-422/485 (4-pin box header) 1 x GbE LAN (RJ-45 connector) 2 x USB 2.0 2 x USB 3.0 1 x Mini USB 2.0 port on front panel 1 x Audio jack (line-out) 1 x HDMI port 1 x MicroSD card slot on front panel 1 x Power switch 1 x AT/ATX switch 1 x Reset button 1 x Clear CMOS button 1 x 9 ~ 36V DC jack	2 x RS-232 (DB-9 connector) 1 x GbE LAN (RJ-45 connector) on left side 1 x RS-422/485 (RJ-45 connector) 1 x Type K 3 x USB 2.0 (two on the bottom, one on the left) 2 x USB 3.0 1 x Mini USB port on front panel 1 x MicroSD card slot on front panel 1 x Line out, MIC on left side 1 x VGA port 1 x HDMI port 1 x Type K 1 x Power switch 1 x AT/ATX switch 1 x Reset button 1 x Clear CMOS button 1 x 9 ~ 36V DC jack
		1 x Mini USB 2.0 port on front panel 1 x MicroSD card slot on front panel 1 x Power switch 1 x AT/ATX switch 1 x Reset button 1 x Clear CMOS button 1 x DC input jack	1 x Mini USB 2.0 port on front panel 1 x MicroSD card slot on front panel Power switch 1 x AT/ATX switch 1 x Reset button 1 x Clear CMOS button 1 x DC input jack	1 x RS-232 (DB-9 connector) 1 x RS-232 (RJ-45 connector) 1 x RS-422/485 (4-pin box header) 1 x GbE LAN (RJ-45 connector) 2 x USB 2.0 2 x USB 3.0 1 x Mini USB 2.0 port on front panel 1 x Audio jack (line-out) 1 x HDMI port 1 x MicroSD card slot on front panel 1 x Power switch 1 x AT/ATX switch 1 x Reset button 1 x Clear CMOS button 1 x 9 ~ 36V DC jack	2 x RS-232 (DB-9 connector) 1 x GbE LAN (RJ-45 connector) on left side 1 x RS-422/485 (RJ-45 connector) 1 x Type K 3 x USB 2.0 (two on the bottom, one on the left) 2 x USB 3.0 1 x Mini USB port on front panel 1 x MicroSD card slot on front panel 1 x Line out, MIC on left side 1 x VGA port 1 x HDMI port 1 x Type K 1 x Power switch 1 x AT/ATX switch 1 x Reset button 1 x Clear CMOS button 1 x 9 ~ 36V DC jack
	Audio	AMP 0.8 W + 0.8 W	AMP 1.5 W + 1.5 W	AMP 3W + 3W (internal speaker)	AMP 2W + 2W (internal speaker)
	Camera		2M pixels with low light function	1.3 megapixels with low light function	2 M pixels with low light function
RFID Reader	EM 125 KHz or Mifare 13.56 MHz card reader (optional)		EM 125 KHz or Mifare 13.56 MHz card reader (optional)		
MSR Card Reader	MSR card reader (optional)		MSR card reader (optional)		
OSD Function	LCD on/off, brightness up/down, volume up/down, hotkey		LCD on/off, brightness up/down, volume up/down, Hot Key		
Ambient Light Sensor	Yes		Yes		
Infrared Remote Controller	Yes		Yes		
System Cooling	Fanless		Smart fan	Light Fanless	
Connectivity	Wireless IEEE 802.11b/g/n module Telec certified		Wireless IEEE 802.11b/g/n module Telec certified		
Physical	Construction Front Panel	PC + ABS plastic front frame		PC + ABS Plastic	PC + ABS Plastic
	Mounting	Wall, Panel, Stand, RACK Mounting and VESA 75 mm x 75mm		Panel, Wall, Rack, Stand and Arm VESA 100 mm x 100 mm	
	Color	Black		Black	
	Dimensions (mm)	215 (W) x 188 (H) x 46 (D)	282.5 (W) x 242.7 (H) x 51 (D)	310 x 265 x 52.6	399.4 x 271.2 x 58.8
	Weight (N/G)	1.43 kg / 2.2 kg	2.98 kg / 4.5 kg	3.8 kg / 6.1 kg	4.5 kg / 6.5 Kg
Environment	Operating Temperature (°C) (Ambient with air flow)	-20°C ~ 40°C	-20°C ~ 45°C	-20°C ~ 50°C with SSD	-20°C ~ 50°C
	Storage Temperature (°C)	-20°C ~ 60°C			
	Humidity	10% to 95% (non-condensing)			
	IP Level	IP 64 compliant front panel			
	Safety&EMC	CE / FCC			
Power	Power Supply	40W adapter Input: 90VAC~264VAC, 50/60 Hz, Output: 12VDC	60W power adapter, Input: 90VAC~264VAC, 50/60 Hz, Output: 12VDC	90W power adapter Input: 100VAC~240VAC, 50/60Hz Output: 19VDC	90W power adapter Input:100 V AC ~ 240 V AC, 50 / 60Hz, Output: 19 V DC
	Power Requirement	9 ~ 36 VDC			
	Power Consumption	12V@2.27A (Intel® Atom™ N2600 CPU with 2GB DDR3 memory)	12V@2.75A (Intel® Atom™ N2800 CPU with 2GB DDR3 memory )	19V@2.68A (Intel® Core™ i5-2510E processor with 4GB DDR3 memory)	19V@3.95A (Intel® Core™ i3-2120 CPU with 4GB 1333 Mhz DDR3 memory)

1  
IEIMobile Solutions

2  
Automation Panel Solutions

3  
Healthcare Panel PC Solution

4  
Industrial System

5  
ORing Network Communication

6  
Automation Control

7  
Optional Peripherals

# AFOLUX GEN II Selection Guide



Model		AFL2-17A-H61	AFL2-W21A-H61	
LCD Specifications	Size	17" (4:3)	W21.5" (16:9)	
	Resolution	1280 (W) x 1024 (H)	1920(W) x 1080(H)	
	Brightness (cd/m <sup>2</sup> )	350	250	
	Contrast Ratio	1000:1	1000 : 1	
	LCD Color	16.7M	16.7M	
	Pixel Pitch (mm)	0.264 (H) x 0.264 (V)	0.248mm x 0.248mm	
	Viewing Angle (H-V)	170° / 160°	165° / 165°	
	Backlight MTBF	50,000 (LED backlight)	30,000 (LED backlight)	
Touch	Touch Screen	5-wire resistive type with RS-232 interface / projected capacitive type with USB interface	Projected capacitive type with USB interface	
	Touch Controller	PenMount DMC9000 (Resistive Type) / EETI EXC7200 & EXC5404 (Projected capacitive type)	EETI EXC7200 & EXC5404	
System	CPU	2nd/3rd Generation of Intel®Core™ i7/i5/i3 and Pentium® processors	2nd/3rd Generation of Intel®Core™ i7/i5/i3 and Pentium® processors	
	Chipset	Intel® H61		
	RAM	Support two 204-pin DDR3 SO-DIMM slot (system Max. 16GB)	Support two 204-pin DDR3 SO-DIMM slots (System Max. 16GB)	
	Ethernet	Realtek RTL8111E PCIe GbE controller supporting ASF 2.0		
	Audio Codec	Realtek ALC892 HD Audio codec		
	Storage	2.5" SATA 3Gb/s HDD bay		
	CD-ROM	1 x Slim Type CD-ROM bay		
	Input / Output		2 x RS-232 (DB-9 connector) 1 x RS-422/485 (DB-9 connector) 2 x GbE LAN (one on the bottom, one on the left) 2 x USB 3.0 3 x USB 2.0 (two on the bottom, one on the left) 1 x Mini USB port on front panel 1 x MicroSD card slot on front panel	2 x RS-232 (DB-9 Connector) 1 x RS-422/485 COM Port (DB-9 connector) 2 x GbE LAN (RJ-45 connector) 3 x USB 2.0 2 x USB 3.0 1 x HDMI on bottom side 1 x Line out/MIC on left side 1 x VGA port (DB-15 Connector) 1 x Power switch 1 x Reset button 1 x AT/ATX switch 1 x Clear CMOS button 1 x Type K 1 x 9~36V DC jack
		Expansion Interface	1 x PCIe Mini slot reserved	
	Other Features	Audio	AMP 2W + 2W (internal speaker)	AMP 3W + 3W (internal speaker)
Camera		2 M pixels with low light function		
RFID Reader		EM 125 KHz or Mifare 13.56 MHz card reader (optional)	EM 125 KHz or Mifare 13.56 MHz card reader (optional)	
MSR Card Reader		MSR card reader (optional)	MSR card reader (optional)	
TPM		Reserved by pin-header		
OSD Function		LCD on/off, brightness up/down, volume up/down, Hot Key		
Ambient Light Sensor		Yes		
Infrared Remote Controller		Yes		
LED Light Bar		Yes		
System Cooling		Light fanless (smart fan operates above default temperature setting)	Light fanless (smart fan operates above default temperature setting)	
Connectivity	Wireless	IEEE 802.11b/g/n module Telec certified		
Physical	Construction Front Panel	PC + ABS Plastic	PC + ABS Plastic	
	Mounting	Panel, Wall, Rack, Stand, Arm VESA 100mm x 100mm	Wall, Panel, Stand and VESA 100 mm x 100mm	
	Color	Black	Black	
	Dimensions (WxHxD)(mm)	418 x 378 x 65	547 x 346 x 71, withLED Light Bar	
	Weight (N/G)	6.9 kg / 9.0 kg	7.3 Kg / 9.4 Kg (with LED Light Bar)	
Environment	Operating Temperature (°C) (Ambient with air flow)	-20°C ~ 40°C	-10°C ~ 50°C	
	Storage Temperature (°C)	-20°C ~ 60°C		
	Humidity	10% to 95% (non-condensing)		
	IP Level	IP 64 compliant front panel		
	Safety&EMC	CE / FCC		
Power	Power Supply	120W power adapter Input:100 V AC ~ 240 V AC, 50 / 60Hz, Output: 19 V DC	120W power adapter Input:100 V AC ~ 240 V AC, 50 / 60Hz, Output: 19 V DC	
	Power Requirement	9 ~ 36 VDC		
	Power Consumption	19V@5.3A (Intel® Core™ i3-2100T CPU with 4GB 1333 Mhz 4GB DDR3 memory)	19V@3.82A (Intel® Core™ i3-2120T processor with 4GB DDR3 memory)	

1

IEIMobile Solutions

2

Automation Panel Solutions

3

Healthcare Panel PC Solution

4

Industrial System

5

ORing Network Communication

6

Automation Control

7

Optional Peripherals

# AFL2-08A-N26

Intel® Atom™ N2600 Dual Core Processor



## Features

- Flat-bezel LCD with LED backlight
- Intel® Atom™ N2600 dual core 1.6 GHz processor
- One 800 MHz 204-pin DDR3 SO-DIMM slot (system max. 2GB) pre-installed with 2GB
- 5-wire resistive type touch screen supported
- Wi-Fi 802.11b/g/n high speed wireless
- Built-in EM or Mifare RFID reader (optional)
- IP64 compliant front panel
- Auto dimming control



## Specifications

	Model	AFL2-08A-N26
LCD Specifications	Size	8"
	Resolution	800 (W) x 600 (H)
	Brightness (cd/m <sup>2</sup> )	350 cd/m <sup>2</sup>
	Contrast Ratio	500:1
	LCD Color	16.2 M
	Pixel Pitch (mm)	0.2025 (H) x 0.2025 (V)
	Viewing Angle (H-V)	140°(H) / 130°(V)
	Backlight MTBF	30000 hrs (LED backlight)
Touch	Touch Screen	5-wire resistive type with RS-232 interface
	Touch Controller	PenMount DMC9000
System	CPU	Intel® Atom™ N2600 dual core 1.6 GHz CPU
	Chipset	Intel® NM10
	RAM	Support one 800 MHz 204-pin DDR3 SO-DIMM slot (max. 2GB) pre-installed with 2GB
	Ethernet	Realtek RTL8111E PCIe GbE controller supporting ASF 2.0
	Audio Codec	Realtek ALC892 HD Audio codec
	Storage	mSATA
	Input / Output	1 x Mini USB 2.0 port on front panel 1 x MicroSD card slot on front panel 1 x Power switch 1 x AT/ATX switch 1 x Reset button 1 x Clear CMOS button 1 x DC input jack
Other Features	Audio	AMP 0.8 W + 0.8 W
	Camera	2megapixel with low light function
	Microphone	Digital Microphone
	RFID Reader	EM 125 KHz or Mifare 13.56 MHz card reader (optional)
	MSR Card Reader	MSR card reader (optional)
	OSD Function	LCD on/off, brightness up/down, volume up/down, hotkey
	Ambient Light Sensor	Yes
	Infrared Remote Controller	Yes
System Cooling	Fanless	
Connectivity	Wireless	IEEE 802.11b/g/n module Telec certified
Physical	Construction Front Panel	PC + ABS plastic front frame
	Mounting	Wall, Panel, Stand, RACK Mounting and VESA 75 mm x 75mm
	Color	Black
	Dimensions (WxHxD)(mm)	215 x 188 x 46
	Weight (N/G)	1.43 kg / 2.2 kg
Environment	Operating Temperature (°C) (Ambient with air flow)	-20°C ~ 40°C
	Storage Temperature (°C)	-20°C ~ 60°C
	Humidity	10% to 95% (non-condensing)
	IP Level	IP 64 compliant front panel
	Safety&EMC	CE / FCC
Power	Power Supply	36W power adapter Input: 90VAC~264VAC, 50/60 Hz, Output: 12VDC
	Power Requirement	9 ~ 36 VDC
	Power Consumption	12V@2.27A (Intel® Atom™ N2600 CPU with 2GB DDR3 memory)

1

IEIMobile Solutions

2

Automation Panel Solutions

3

Healthcare Panel PC Solution

4

Industrial System

5

ORing Network Communication

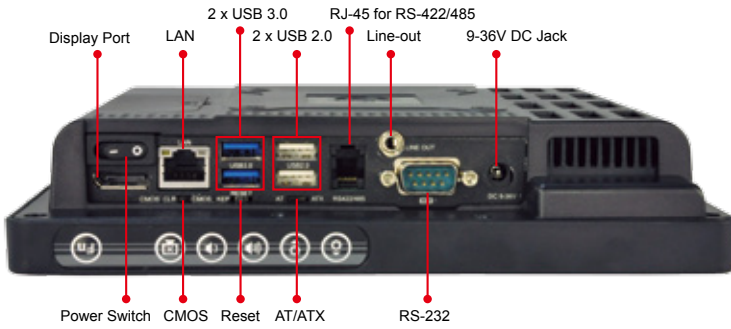
6

Automation Control

7

Optional Peripherals

## Fully Integrated I/O



- Fn
- Backlight On/Off
- Audio -
- Audio +
- Brightness -
- Brightness +
- Fn + RFID Enable/Disable
- Fn + Audio Mute
- Fn + Camera Enable/Disable
- Fn + Front Side USB Enable/Disable
- Fn + Power On / Off

## Ordering Information

Part No.	Description
AFL2-08A-N26/R/2G-R12	8" 350 cd/m <sup>2</sup> SVGA fanless panel PC with Intel® Atom™ N2600 dual core 1.6GHz, 802.11b/g/n wireless module, resistive touch screen, microphone, 2megapixel webcam, 2GB DDR3 RAM, R12

## Options

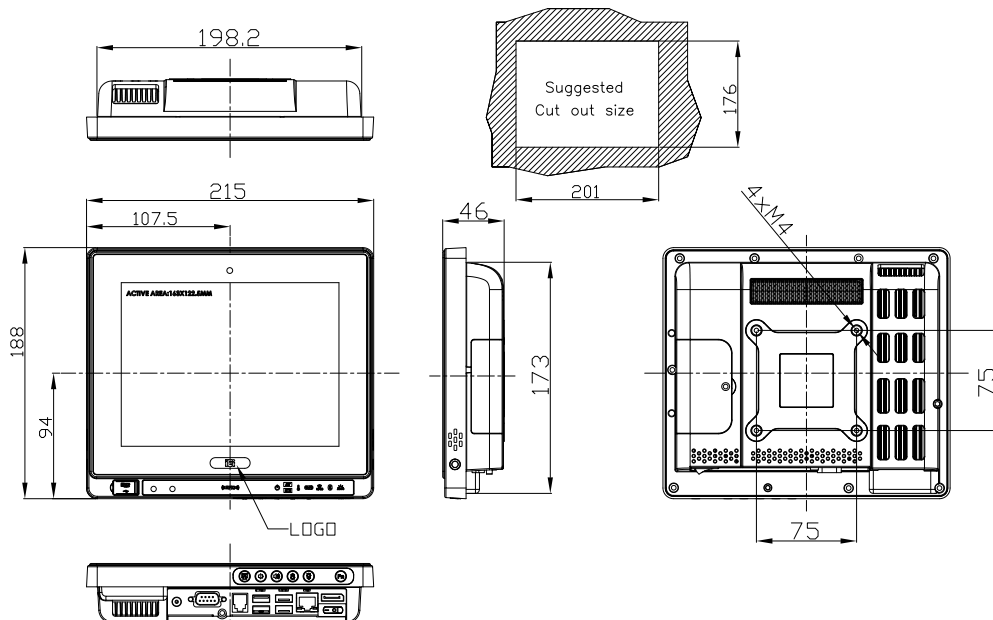
Item	AFL2-08A-N26
Panel Mounting Kit	AFL2PK-08A
Wall Mounting Kit	AFLWK-12
Rack Mounting Kit	AFL2RK-08A
Stand	STAND-B08/STAND-C12-R10 / STAND-100-RS
V-stand	VSTAND-A07-R11
Magnetic stripe reader	AFL2P-08AMSR-U-R10
EM RFID Reader	AFL2-EM-RFID-KIT01-R10
Mifare RFID Reader	AFL2-MF-RFID-KIT01-R11
OS: Win XPE (CD-ROM)	AFL2-W07A-CV-XPE-R12
OS: Win 7 Embedded (DVD-ROM)	AFL2-W07A-CV-WES7E-R12 (for Resistive Touch)

## Packing List

Item	P/N	Q'ty	Description
Utility CD	7B000-000889-RS	1	drivers and user manual
One Key Recovery CD		1	
Power adapter	63040-010036-111-RS	1	90VAC~264VAC, 50/60 Hz, Output: 12VDC, 36W (Meet PSE)
Power cord	32000-000002-RS	1	European standard, 1830mm
RJ-11 to DB-9 COM port cable		1	
IR remote controller	7Z000-SLPCB001-RS	1	
Pen	43125-0002C0-00-RS	1	For Resistive Touch

## AFL2-08A Dimensions

(Unit: mm)



# AFL2-10A-N28

Intel® Atom™ N2800 Dual Core Processor



## Features

- Flat-bezel LCD with LED backlight
- Intel® Atom™ N2800 dual core 1.86 GHz processor
- One 1066 MHz 204-pin DDR3 SO-DIMM slot (system max. 4GB) pre-installed with 2GB
- 5-wire resistive type touch screen supported
- Wi-Fi 802.11b/g/n high speed wireless
- EM or Mifare RFID reader
- Built-in 2M pixels webcam with AF, AE and AWB capabilities
- Built-in two 1.5W speakers and microphone
- IP 64 compliant front panel



## Specifications

Model		AFL2-10A-N28
LCD Specifications	Size	10.4"
	Resolution	800 (W) x 600 (H)
	Brightness (cd/m <sup>2</sup> )	400 cd/m <sup>2</sup>
	Contrast Ratio	700:1
	LCD Color	262K/16.2M
	Pixel Pitch (mm)	0.264 (H) x 0.264 (V)
	Viewing Angle (H-V)	160°(H) / 140°(V)
	Backlight MTBF	30000 hrs (LED backlight)
Touch	Touch Screen	5-wire resistive type with RS-232 interface
	Touch Controller	PenMount DMC9000
System	CPU	Intel® Atom™ N2800 dual core 1.86 GHz CPU
	Chipset	Intel® NM10
	RAM	Support one 1066MHz 204-pin DDR3 SO-DIMM slot (max. 4GB)
	Ethernet	Realtek RTL8111E PCIe GbE controller supporting ASF 2.0
	Audio Codec	Realtek ALC892 HD Audio codec
	HDD	2.5" SATA 2.0 HDD bay
	Input / Output	1 x Mini USB 2.0 port on front panel 1 x MicroSD card slot on front panel 1 x Power switch 1 x AT/ATX switch 1 x Reset button 1 x Clear CMOS button 1 x DC input jack
Other Features	Audio	AMP 1.5 W + 1.5 W
	Camera and Microphone	2M pixels with low light function, digital microphone
	RFID Reader	EM 125 KHz or Mifare 13.56 MHz card reader (optional)
	MSR Card Reader	MSR card reader (optional)
	OSD Function	LCD on/off, brightness up/down, volume up/down, hotkey
	System Cooling	Fanless
Connectivity	Wireless	IEEE 802.11b/g/n Telec certified
Physical	Construction Front Panel	PC + ABS plastic front frame
	Mounting	Wall, Rack, Stand, RACK Mounting and Arm VESA 75mm x 75mm
	Color	Black
	Dimensions (WxHxD) (mm)	282.5 x 242.7 x 51
	Weight (N/G)	2.98 kg / 4.5 kg
Environment	Operating Temperature (°C) (Ambient with air flow)	-20°C ~ 45°C
	Storage Temperature (°C)	-20°C ~ 60°C
	Humidity	10% to 95% (non-condensing)
	IP Level	IP 64 compliant front panel
	Safety&EMC	CE / FCC
Power	Power Supply	60W power adapter, Input: 90VAC~264VAC, 50/60 Hz, Output: 12VDC
	Power Requirement	9 ~ 36 VDC
	Power Consumption	12V@2.75A (Intel® Atom™ N2800 CPU with 2GB DDR3 memory )

1

IEIMobile Solutions

2

Automation Panel Solutions

3

Healthcare Panel PC Solution

4

Industrial System

5

O'Ring Network Communication

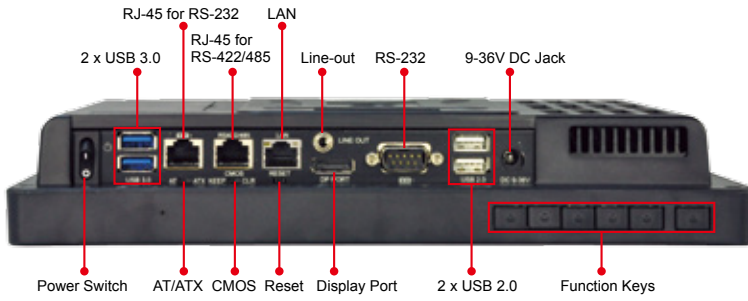
6

Automation Control

7

Optional Peripherals

## Fully Integrated I/O



- Fn
- Backlight On/Off
- Audio -
- Audio +
- Brightness -
- Brightness +
- Fn + RFID Enable/Disable
- Fn + Audio Mute
- Fn + Camera Enable/Disable
- Fn + Front Side USB Enable/Disable
- Fn + Power On / Off

## Ordering Information

Part Number	Description
AFL2-10A-N28/R/2G-R11	10.4" 400cd/m <sup>2</sup> SVGA fanless panel PC with Intel® Atom™ cedarview N2800 dual core 1.86GHz, 802.11b/g/n wireless module, resistive touch screen, 2M camera, microphone, 2GB DDR3 RAM, R11

## Options

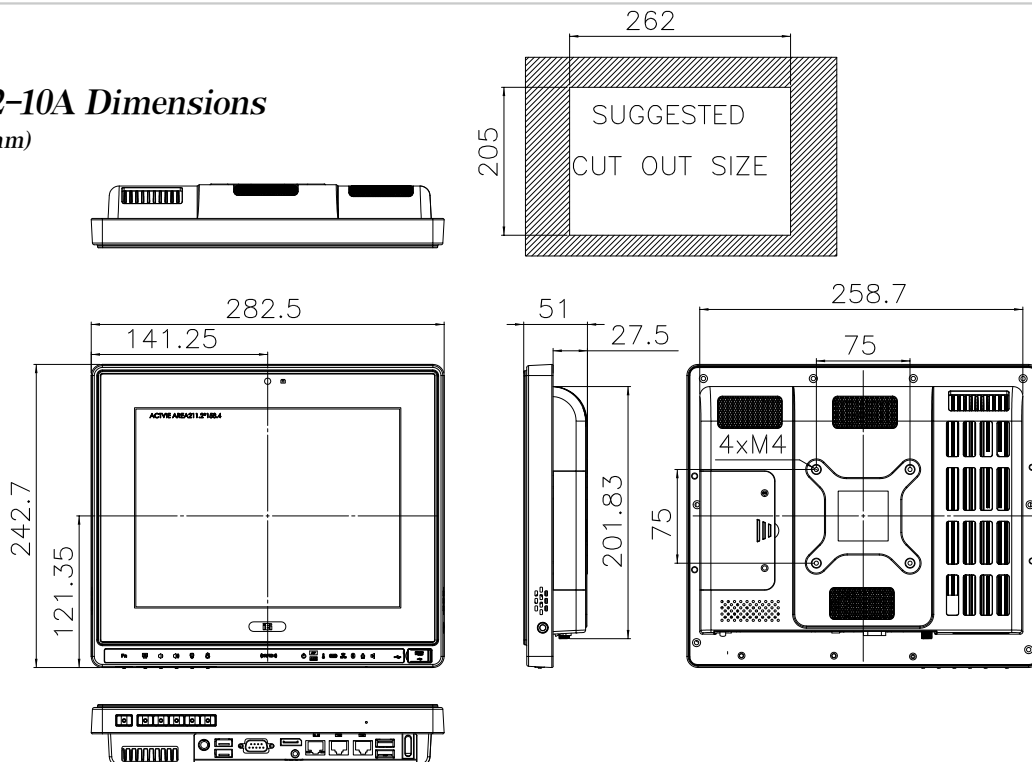
Item	AFL2-10A-N28
Panel Mounting Kit	AFL2PK-10A
Wall Mounting Kit	AFLWK-12
Rack Mounting Kit	AFL2RK-10A
Stand	STAND-C12-R10/STAND-A21-R10
V-stand	VSTAND-A10-R11
Magnetic Stripe Reader	AFL2P-12AMSR-U-R10
EM RFID Reader	AFL2-EM-RFID-KIT01-R10
Mifare RFID Reader	AFL2-MF-RFID-KIT01-R11
OS: Win XPE (CD-ROM)	AFL2-W10A-CV-XPE-R11
OS: Win 7 Embedded (DVD-ROM)	AFL2-W10A-CV-WES7E-R11 (for Resistive Touch)

## Packing List

Item	P/N	Q'ty	Description
Utility CD		1	drivers and user manual
One Key Recovery CD		1	
Power adapter	63040-010060-130-RS	1	(Meet PSE)
Power cord	32702-000200-100-RS	1	European standard, 1830mm
Power transfer cord	32702-000300-100-RS	1	

## AFL2-10A Dimensions

(Unit: mm)



# AFL2-12A-HM65

Intel® Core™ i7/i5/i3 Processor



## Features

- 12.1" 600nits 1024 x 768 flat-bezel LCD with LED backlight
- Supports projected capacitive touchscreen or 5-wire resistive type touchscreen
- Built-in two 3W speakers and microphone
- GbE LAN for high speed network applications
- One 204-pin DDR3 SO-DIMM slot (system max. 4GB)
- Wi-Fi 802.11b/g/n high speed wireless
- EM or Mifare RFID reader
- IP 64 compliant front panel
- Auto-dimming control
- Built-in 2 megapixels webcam with AF AE and AWB capabilities
- Wide range 9~36 VDC input



## Specifications

	Model	AFL2-12A-HM65
LCD Specifications	Size	12.1"
	Resolution	1024 (W) x 768 (H)
	Brightness (cd/m <sup>2</sup> )	600
	Contrast Ratio	700:1
	LCD Color	16.2 M
	Pixel Pitch (mm)	0.240 (H) x 0.240 (V)
	Viewing Angle (H-V)	160° / 140°
	Backlight MTBF	50000 hrs (LED backlight)
Touch	Touch Screen	5-wire resistive type with RS-232 interface / projected capacitive type with USB interface
	Touch Controller	PenMount DMC9000 / EETI EXC7200 & EXC5400
System	CPU	2nd Generation Intel® Core™ i7/ i5/ i3 and Celeron® processor
	Chipset	Intel® HM65
	RAM	Support one 204-pin DDR3 SO-DIMM slot (Max. 4GB)
	Ethernet	Realtek RTL8111E PCIe GbE controller supporting ASF 2.0
	Audio Codec	
	Storage	2.5" SATA 6Gb/s SSD bay
Input / Output		1 x RS-232 (DB-9) 1 x HDMI port
		1 x RS-232 (RJ-45) 1 x MicroSD card slot on front panel
		1 x RS-422/485 (4-pin box header) 1 x Power switch
		2 x GbE LAN (RJ-45) 1 x AT/ATX switch
		2 x USB 2.0 1 x Reset button
		2 x USB 3.0 1 x Clear CMOS button
		1 x Mini USB 2.0 port on front panel 1 x DC input jack
Other Features	Audio	AMP 3W + 3W (internal speaker)
	Camera	2 M pixels with low light function
	RFID Reader	EM 125 KHz or Mifare 13.56 MHz card reader (optional)
	MSR Card Reader	MSR card reader (optional)
	OSD Function	LCD on/off, brightness up/down, volume up/down, Hot Key
	Ambient Light Sensor	Yes
	Infrared Remote Controller	Yes
System Cooling	Smart fan	
Connectivity	Wireless	IEEE 802.11b/g/n module Telec certified
Physical	Construction Front Panel	PC + ABS Plastic
	Mounting	Panel, Wall, Rack, Stand and Arm VESA 100 mm x 100 mm
	Color	Black
	Dimensions (WxHxD)(mm)	310 x 265 x 52.6
	Weight (N/G)	3.8 kg / 6.1 kg
Environment	Operating Temperature (°C) (Ambient with air flow)	-20°C ~ 50°C with SSD
	Storage Temperature (°C)	-20°C ~ 60°C
	Humidity	10% to 95% (non-condensing)
	IP Level	IP 64 compliant front panel
	Safety&EMC	CE / FCC
Power	Power Supply	90W power adapter Input: 100VAC~240VAC, 50/60Hz Output: 19VDC
	Power Requirement	9 ~ 36 VDC
	Power Consumption	19W@2.68A (Intel® Core™ i5-2510E processor with 4GB DDR3 memory)

1  
IEIMobile Solutions

2  
Automation Panel Solutions

3  
Healthcare Panel PC Solution

4  
Industrial System

5  
ORing Network Communication

6  
Automation Control

7  
Optional Peripherals



## Ordering Information

Part No.	Description	
<b>Resistive Touch Screen</b> AFL2-12A-HM65/R-R15	12.1" 600cd/m <sup>2</sup> XGA panel PC, 802.11b/g/n wireless module, resistive touch screen, 2M camera, microphone, dual GbE LAN, R15	
<b>Projective Capacitive Touch Screen</b> AFL2-12A-HM65/PC-R15	12.1" 600cd/m <sup>2</sup> XGA panel PC, 802.11b/g/n wireless module, projected capacitive touchscreen, 2M camera, microphone, dual GbE LAN, R15	
<b>CPU Selection</b>	CPU-MB-I7-2640M	2nd Generation Intel® Core™ i7 Processor [Mobile], PPGA-988, dual core 2.8GHz, 35W, iAMT
	CPU-MB-I5-2510E	2nd Generation Intel® Core™ i5 Processor [Mobile], PPGA-988, dual core 2.5GHz, 35W, iAMT
	CPU-MB-I3-2310M	2nd Generation Intel® Core™ i3 Processor [Mobile], PPGA-988, dual core 2.1GHz, 35W
	CPU-MB-CM-B810	Intel® Celeron® Mobile Processor, PPGA-988, dual core 1.6GHz, 35 W
	CPU-MB-CM-B710	Intel® Celeron® Mobile Processor, PPGA-988, single core 1.6GHz, 35 W
<b>Memory Selection</b>	DDR3-SO-1333-1GB	SO-DIMM DDR3 1333MHz 1GB
	DDR3-SO-1333-2GB	SO-DIMM DDR3 1333MHz 2GB
	DDR3-SO-1333-4GB	SO-DIMM DDR3 1333MHz 4GB

## Options

Item	AFL2-12A-HM65
Panel Mounting Kit	AFLPK-15
Wall Mounting Kit	AFLWK-19B
Rack Mounting Kit	AFL2RK-12
Arm	ARM-11-RS
Stand	STAND-A12-RS/STAND-A19-RS/STAND-A21-R10/STAND-C12-R10
V-Stand	VSTAND-A12-R11
Magnetic Stripe Reader Kit	AFL2P-12AMSR-U-R10
EM RFID Reader	AFL2-EM-RFID-KIT01-R10
Mifare RFID Reader	AFL2-MF-RFID-KIT01-R11
OS: Win XPE (2GB CF Card)	AFL2-12A-HM65-XPE-R15*
OS: Win XPE (4GB CF Card)	AFL2-12A-HM65-XPE-R15*
OS: Win 7 Embedded (4GB CF Card)	AFL2-12A-HM65-WES7P-R15* (for Projected Capacitive Touch) AFL2-12A-HM65-WES7E-R14* (for Resistive Touch)

\*OS image with CD-ROM or DVD-ROM

## Packing List

Item	P/N	Q'ty	Description
Utility CD		1	Drivers and user manual
One Key Recovery CD		1	
Power Adapter	63040-010090-120-RS (for AFL2-12A-HM65)	1	90W ;19VDC output
Power Cord	32702-000401-100-RS	1	1500 mm, European Standard
Power Transfer Cord	32702-000300-100-RS	1	
M3 Screw Pack	44013-030041-RS	4	M3*4 for securing HDD
M4 Screw Pack	44403-040061-RS	4	M4*4 VESA screw
Touch Pen	43125-0002C0-00-RS	1	
RJ-45 to DB-9 COM Port Cable	32005-000200-200-RS	1	
IR Remote Controller	7Z000-SLPCB005-RS	1	
RS-422 Cable	32205-002400-100-RS	1	
Pen	43125-0002C0-00-RS	1	For Resistive Touch

1

IEIMobile Solutions

2

Automation Panel Solutions

3

Healthcare Panel PC Solution

4

Industrial System

5

ORing Network Communication

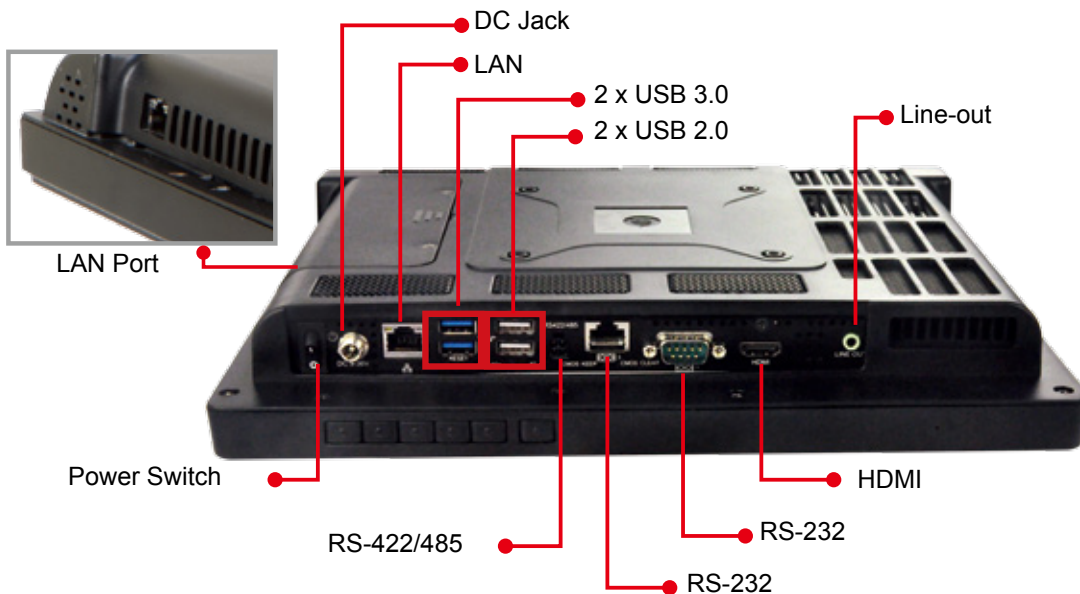
6

Automation Control

7

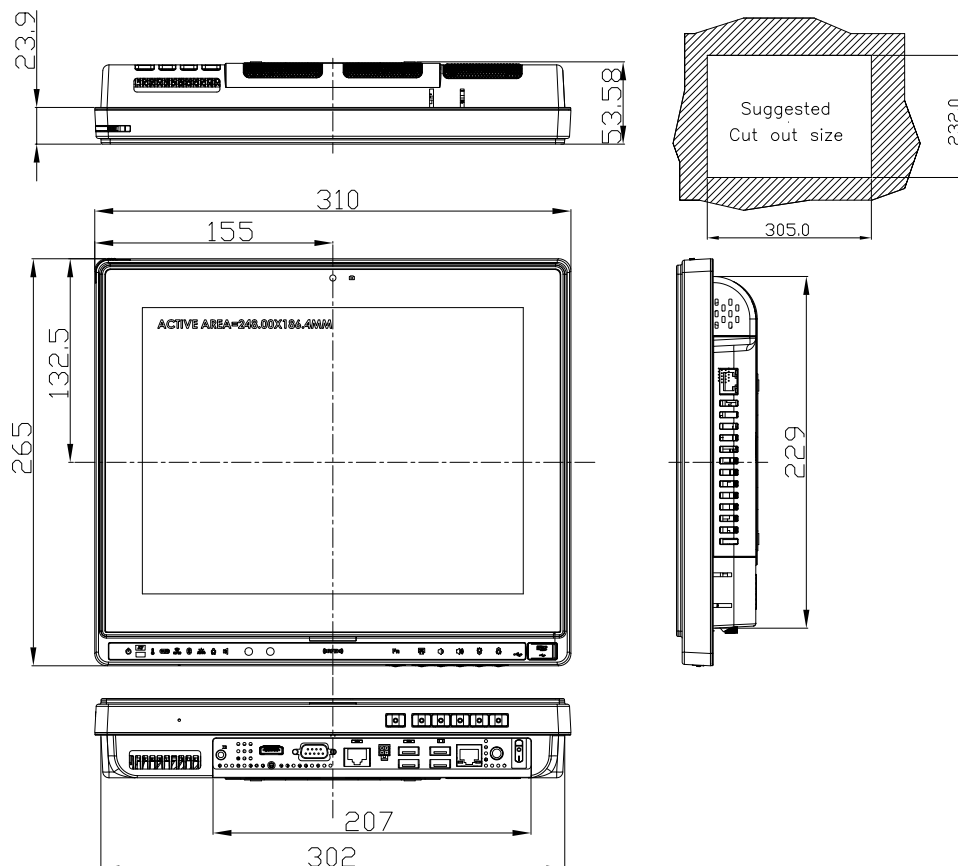
Optional Peripherals

**AFL2-12A-HM65 Fully Integrated I/O**



**AFL2-12A-HM65 Dimensions**

(Unit: mm)



- 1 IEIMobile Solutions
- 2 Automation Panel Solutions
- 3 Healthcare Panel PC Solution
- 4 Industrial System
- 5 ORing Network Communication
- 6 Automation Control
- 7 Optional Peripherals

# AFL2-W15B-H61

Intel® Core™ i7/i5/i3 and Pentium® Processor



## Features

- Flat-bezel LCD with LED backlight
- Intel® Core™ i5/ i3 and Pentium® processor
- Two 204-pin DDR3 SO-DIMM slot (system max. 16GB) preinstalled with 4GB (2GB x 2)
- Projected capacitive touchscreen and 5-wire resistive type touchscreen supported
- Wi-Fi 802.11b/g/n wireless
- EM or Mifare RFID reader
- Built-in 2-megapixel webcam with AF, AE and AWB capabilities
- Built-in two 2W speakers and microphone
- IP 64 compliant front panel
- Auto dimming control
- Light fanless technology design
- Type K thermocouple temperature sensor
- Wide range 9~36 VDC input



## Specifications

	Model	AFL2-W15B-H61	
LCD Specifications	Size	W15.6" (16:9)	
	Resolution	1366 (W) x 768 (H)	
	Brightness (cd/m <sup>2</sup> )	300	
	Contrast Ratio	500:1	
	LCD Color	16.7M	
	Pixel Pitch (mm)	0.252 (H) x 0.252 (V)	
	Viewing Angle (H-V)	170° / 160°	
	Backlight MTBF	50,000 hrs (LED backlight)	
Touch	Touch Screen	5-wire resistive type with RS-232 interface / projected capacitive type with USB interface	
	Touch Controller	PenMount DMC9000 / EETI EXC7200 & EXC5404	
System	CPU	2nd/3rd Generation Intel® Core™ i7/i5/i3 and Pentium® processors	
	Chipset	Intel® H61	
	RAM	Support two 204-pin DDR3 SO-DIMM slot (max. 16GB) preinstalled with 4GB (2GB x 2)	
	Ethernet	Realtek RTL8111E PCIe GbE controller supporting ASF 2.0	
	Audio Codec	Realtek ALC892 HD Audio codec	
	Storage	CF Type II socket 2.5" SATA 3Gb/s HDD bay	
	Input / Output	2 x RS-232 (DB-9 connector) 1 x GbE LAN (RJ-45 connector) on left side 1 x RS-422/485 (RJ-45 connector) 3 x USB 2.0 (two on the bottom, one on the left) 2 x USB 3.0 1 x Mini USB port on front panel 1 x MicroSD card slot on front panel 1 x Line out, MIC on left side	1 x VGA port 1 x HDMI port 1 x Power switch 1 x AT/ATX switch 1 x Reset button 1 x Clear CMOS button 1 x 9 ~ 36V DC jack 1 x Type K connector
Other Features	Audio	AMP 2W + 2W (internal speaker)	
	Camera	2-megapixel with low light function	
	RFID Reader	EM 125 KHz or Mifare 13.56 MHz card reader (optional)	
	MSR Card Reader	MSR card reader (optional)	
	TPM	Reserved by pin-header	
	OSD Function	LCD on/off, brightness up/down, volume up/down, Hot Key	
	Ambient Light Sensor	Yes	
Connectivity	Infrared Remote Controller	Yes	
	System Cooling	Light fanless (smart fan operates above default temperature setting)	
Physical	Wireless	IEEE 802.11b/g/n	
	Construction Front Panel	PC + ABS Plastic	
	Mounting	Panel, Wall, Rack, Stand, Arm VESA 100mm x 100mm	
	Color	Black	
	Dimensions (WxHxD) (mm)	399.4 x 271.2 x 58.8	
	Weight (N/G)	4.5 kg / 6.5 Kg	
Environment	Operating Temperature (°C) (Ambient with air flow)	-20°C ~ 50°C	
	Storage Temperature (°C)	-20°C ~ 60°C	
	Humidity	10% to 95% (non-condensing)	
	IP Level	IP 64 compliant front panel	
	Safety&EMC	CE / FCC	
Power	Power Supply	90W power adapter Input:100 V AC ~ 240 V AC, 50 / 60Hz, Output: 19 V DC	
	Power Requirement	9 ~ 36 VDC	
	Power Consumption	19V@3.95A (Intel® Core™ i3-2120 CPU with 4GB 1333 Mhz DDR3 memory)	

1

IEIMobile Solutions

2

Automation Panel Solutions

3

Healthcare Panel PC Solution

4

Industrial System

5

ORing Network Communication

6

Automation Control

7

Optional Peripherals

## Ordering Information

Part No.	Description
<b>Core i5</b>	AFL2-W15B-H61-i5/R-R13 15.6" 300cd/m <sup>2</sup> HD panel PC, Core i5 Dual Core 2xxxT CPU (Above 2.7GHz), TDP 35W, 4GB DDR3 (2GB x 2), 802.11b/g/n wireless module, resistive touch screen, 2M camera, microphone, R13
	AFL2-W15B-H61-i5/PC-R13 15.6" 300cd/m <sup>2</sup> HD panel PC, Core i5 Dual Core 2xxxT CPU (Above 2.7GHz), TDP 35W, 4GB DDR3 (2GB x 2), 802.11b/g/n wireless module, projected capacitive touchscreen, 2M camera, microphone, R13
<b>Core i3</b>	AFL2-W15B-H61-i3/R-R13 15.6" 300cd/m <sup>2</sup> HD panel PC, Core i3 Dual Core 2xxxT CPU (Above 2.5GHz), TDP 35W, 4GB DDR3 (2GB x 2), 802.11b/g/n wireless module, resistive touch screen, 2M camera, microphone, R13
	AFL2-W15B-H61-i3/PC-R13 15.6" 300cd/m <sup>2</sup> HD panel PC, Core i3 Dual Core 2xxxT CPU (Above 2.5GHz), TDP 35W, 4GB DDR3 (2GB x 2), 802.11b/g/n wireless module, projected capacitive touchscreen, 2M camera, microphone, R13
<b>Pentium</b>	AFL2-W15B-H61-P/R-R13 15.6" 300cd/m <sup>2</sup> HD panel PC, Pentium Dual Core G6xxT CPU (Above 2.2GHz), TDP 35W, 4GB DDR3 (2GB x 2), 802.11b/g/n wireless module, resistive touch screen, 2M camera, microphone, R13
	AFL2-W15B-H61-P/PC-R13 15.6" 300cd/m <sup>2</sup> HD panel PC, Pentium Dual Core G6xxT CPU (Above 2.2GHz), TDP 35W, 4GB DDR3 (2GB x 2), 802.11b/g/n wireless module, projected capacitive touchscreen, 2M camera, microphone, R13

## Options

Item	AFL2-W15B-H61
Panel Mounting Kit	AFL2PK-W15B
Wall Mounting Kit	AFLWK-19B
Rack Mounting Kit	AFL2RK-W15B
Arm	ARM-11-RS/ARM-31-RS
Stand	STAND-A21-R10/ STAND-C19-R10/ STAND-210-R11
Magnetic Stripe Reader	AFL2P-W15BMSR-U-R10
Trusted Platform Module (TPM)	TPM-IN01-R11
EM RFID Reader	AFL2-EM-RFID-KIT01-R10
Mifare RFID Reader	AFL2-MF-RFID-KIT01-R11
OS: Win XPE (2GB CF Card)	AFL2CF-15A-H61-XPE-2G-R13
OS: Win XPE (4GB CF Card)	AFL2CF-15A-H61-XPE-4G-R13
OS: Win 7 Embedded (4GB CF Card)	AFL2CF-15A-H61-WES7P-4G-R13 (for Projected Capacitive Touch) AFL2CF-15A-H61-WES7E-4G-R13 (for Resistive Touch)

## Packing List

Item	P/N	Q'ty	Description
Utility CD	7B000-000957-RS	1	drivers and user manual
One Key Recovery CD	7B000-000781-RS	1	
Power Adapter	63040-010090-101-RS	1	FSP090-DIEBN2; 90~264VAC input; 90W; 19VDC output
Power Cord	32702-000401-100-RS	1	European, 1500mm
Power Transfer Cord	32702-000300-100-RS	1	
RJ-45 to DB-9 COM Port Cable	32005-000200-200-RS	1	
IR Remote Controller	7Z000-SLPCB005-RS	1	
M3 Screw Pack	44013-030041-RS	4	M3 x 4 for securing HDD
M4 Screw Pack	44033-040061-RS	4	M4 x 4 for VESA screw
Temperature Sensor Cable	32133-004300-100-RS	1	
Pen	43125-0002C0-00-RS	1	For Resistive Touch

1

IEIMobile Solutions

2

Automation Panel Solutions

3

Healthcare Panel PC Solution

4

Industrial System

5

ORing Network Communication

6

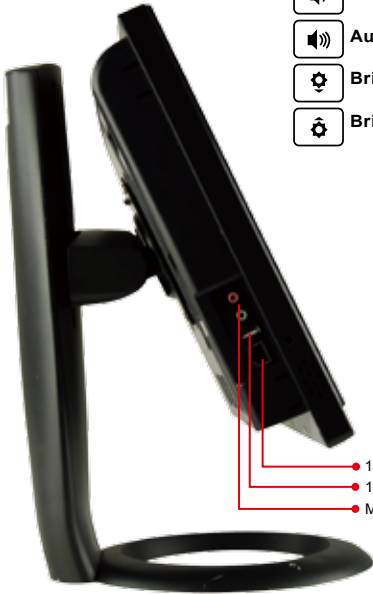
Automation Control

7

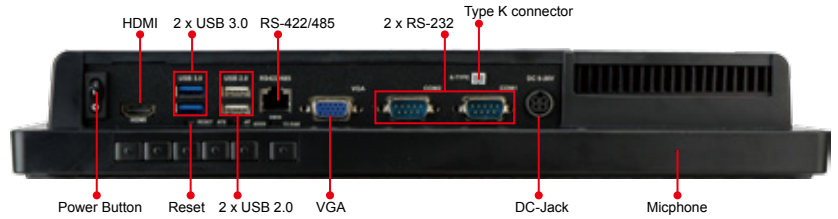
Optional Peripherals

## Function Keys

- |              |  |                             |
|--------------|--|-----------------------------|
| Fn           | Fn +  Backlight On/Off                               | Fn +  RFID enable / disable |
| Audio -      | Fn +  Audio mute                                     |                             |
| Audio +      | Fn +  Camera enable / disable                        |                             |
| Brightness - | Fn +  Front side Mini USB & MicroSD enable / disable |                             |
| Brightness + | Fn +  Power on / off                                 |                             |



- 1 x Mini USB port
- 1 x MicroSD card slot
- Type K thermocouple temperature sensor



1  
IEI Mobile Solutions

2  
Automation Panel Solutions

3  
Healthcare Panel PC Solution

4  
Industrial System

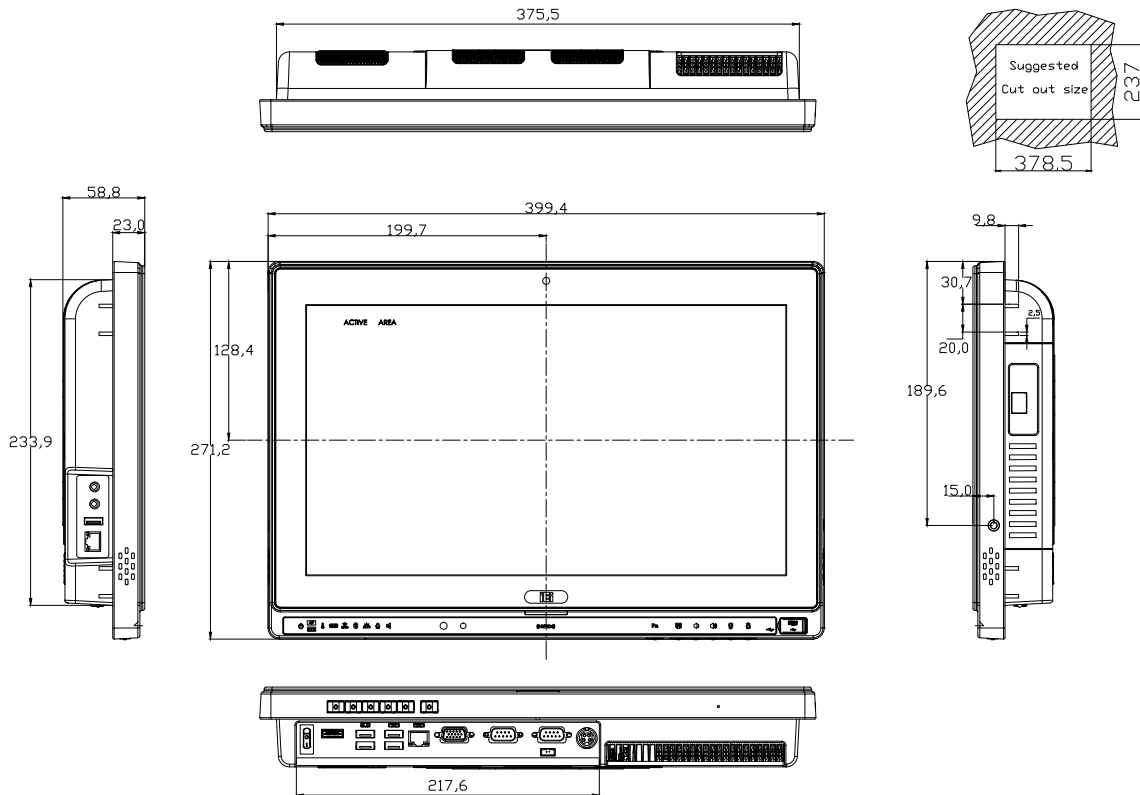
5  
ORing Network Communication

6  
Automation Control

7  
Optional Peripherals

## AFL2-W15B-H61 Dimensions

(Unit: mm)



# AFL2-17A-H61

Intel® Core™ i7/i5/i3 and Pentium® Processor



Optional CD-ROM available

## Features

- Programmable colorful LED light bar
- Intel® Core™ i5/ i3 and Pentium® processor
- Two 204-pin DDR3 SO-DIMM slot (system max. 16GB) preinstalled with 4GB (2GB x 2)
- Projected capacitive touchscreen and 5-wire resistive type touchscreen supported
- Wi-Fi 802.11b/g/n
- EM or Mifare RFID reader
- Built-in 2-megapixel webcam with AF, AE and AWB capabilities
- Built-in two 2W speakers and microphone
- IP 64 compliant front panel
- Auto dimming control
- Light fanless design
- Type K thermocouple temperature sensor
- Wide range 9~36 VDC input



## Specifications

Model		AFL2-17A-H61	
LCD Specifications	Size	17" (4:3)	
	Resolution	1280 (W) x 1024 (H)	
	Brightness (cd/m <sup>2</sup> )	350	
	Contrast Ratio	1000:1	
	LCD Color	16.7M	
	Pixel Pitch (mm)	0.264 (H) x 0.264 (V)	
	Viewing Angle (H-V)	170° / 160°	
	Backlight MTBF	50,000 (LED backlight)	
Touch	Touch Screen	5-wire resistive type with RS-232 interface / projected capacitive type with USB interface	
	Touch Controller	PenMount DMC9000 / EETI EXC7200 & EXC5404	
System	CPU	2nd/3rd Generation Intel® Core™ i7/i5/i3 and Pentium® processors	
	Chipset	Intel® H61	
	RAM	Support two 204-pin DDR3 SO-DIMM slot (max. 16GB) preinstalled with 4GB (2GB x 2)	
	Ethernet	Realtek RTL8111E PCIe GbE controller supporting ASF 2.0	
	Audio Codec	Realtek ALC892 HD Audio codec	
	HDD	2.5" SATA 3Gb/s HDD bay	
	CD-ROM	1 x Slim Type CD-ROM bay	
	Input / Output		2 x RS-232 (DB-9 connector) 1 x RS-422/485 (DB-9 connector) 2 x GbE LAN (one on the bottom, one on the left) 2 x USB 3.0 3 x USB 2.0 (two on the bottom, one on the left) 1 x Mini USB port on front panel 1 x MicroSD card slot on front panel 1 x Line out (on the left)
		Expansion Interface	1 x PCIe Mini slot reserved
Other Features	Audio	AMP 2W + 2W (internal speaker)	
	Camera	2 M pixels with low light function	
	RFID Reader	EM 125 KHz or Mifare 13.56 MHz card reader (optional)	
	MSR Card Reader	MSR card reader (optional)	
	TPM	Reserved by pin-header	
	OSD Function	LCD on/off, brightness up/down, volume up/down, Hot Key	
	Ambient Light Sensor	Yes	
	Infrared Remote Controller	Yes	
Connectivity	Wireless	IEEE 802.11b/g/n Telec certified	
	Construction Front Panel	PC + ABS Plastic	
Physical	Mounting	Panel, Wall, Rack, Stand, Arm VESA 100mm x 100mm	
	Color	Black	
	Dimensions (WxHxD)(mm)	418 x 378 x 65	
	Weight (N/G)	6.9 kg / 9.0 kg	
Environment	Operating Temperature (°C) (Ambient with air flow)	-20°C ~ 50°C	
	Storage Temperature (°C)	-20°C ~ 60°C	
	Humidity	10% to 95% (non-condensing)	
	IP Level	IP 64 compliant front panel	
	Safety&EMC	CE / FCC	
Power	Power Supply	120W power adapter , Input:100 V AC ~ 240 V AC, 50 / 60Hz, Output: 19 V DC	
	Power Requirement	9 ~ 36 VDC	
	Power Consumption	19V@5.3A (Intel® Core™ i3-2100T CPU with 4GB 1333 Mhz 4GB DDR3 memory)	

1

IEIMobile Solutions

2

Automation Panel Solutions

3

Healthcare Panel PC Solution

4

Industrial System

5

ORing Network Communication

6

Automation Control

7

Optional Peripherals

## Ordering Information

LED Bar	Model	Description
LED Bar	AFL2-17A-H61-i5/R-R13	17" 350cd/m <sup>2</sup> SXGA panel PC, Core i5 Dual Core 2xxxT CPU (Above 2.7GHz), TDP 35W, 4GB DDR3 (2GB x 2), 802.11b/g/n wireless module, resistive touch screen, 2M camera, microphone, R13
	AFL2-17A-H61-i5/PC-R13	17" 350cd/m <sup>2</sup> SXGA panel PC, Core i5 Dual Core 2xxxT CPU (Above 2.7GHz), TDP 35W, 4GB DDR3 (2GB x 2), 802.11b/g/n wireless module, projected capacitive touchscreen, 2M camera, microphone, R13
	AFL2-17A-H61-i3/R-R13	17" 350cd/m <sup>2</sup> SXGA panel PC, Core i3 Dual Core 2xxxT CPU (Above 2.5GHz), TDP 35W, 4GB DDR3 (2GB x 2), 802.11b/g/n wireless module, resistive touch screen, 2M camera, microphone, R13
	AFL2-17A-H61-i3/PC-R13	17" 350cd/m <sup>2</sup> SXGA panel PC, Core i3 Dual Core 2xxxT CPU (Above 2.5GHz), TDP 35W, 4GB DDR3 (2GB x 2), 802.11b/g/n wireless module, projected capacitive touchscreen, 2M camera, microphone, R13
	AFL2-17A-H61-P/R-R13	17" 350cd/m <sup>2</sup> SXGA panel PC, Pentium Dual Core G6xxT CPU (Above 2.2GHz), TDP 35W, 4GB DDR3 (2GB x 2), 802.11b/g/n wireless module, resistive touch screen, 2M camera, microphone, R13
	AFL2-17A-H61-P/PC-R13	17" 350cd/m <sup>2</sup> SXGA panel PC, Pentium Dual Core G6xxT CPU (Above 2.2GHz), TDP 35W, 4GB DDR3 (2GB x 2), 802.11b/g/n wireless module, projected capacitive touchscreen, 2M camera, microphone, R13
Without LED Bar	AFL2-17AB-H61-i5/R-R13	17" 350cd/m <sup>2</sup> SXGA panel PC, Core i5 Dual Core 2xxxT CPU (Above 2.7GHz), TDP 35W, 4GB DDR3 (2GB x 2), 802.11b/g/n wireless module, resistive touch screen, 2M camera, microphone, without LED bar, R13
	AFL2-17AB-H61-i5/PC-R13	17" 350cd/m <sup>2</sup> SXGA panel PC, Core i5 Dual Core 2xxxT CPU (Above 2.7GHz), TDP 35W, 4GB DDR3 (2GB x 2), 802.11b/g/n wireless module, projected capacitive touchscreen, 2M camera, microphone, without LED bar, R13
	AFL2-17AB-H61-i3/R-R13	17" 350cd/m <sup>2</sup> SXGA panel PC, Core i3 Dual Core 2xxxT CPU (Above 2.5GHz), TDP 35W, 4GB DDR3 (2GB x 2), 802.11b/g/n wireless module, resistive touch screen, 2M camera, microphone, without LED bar, R13
	AFL2-17AB-H61-i3/PC-R13	17" 350cd/m <sup>2</sup> SXGA panel PC, Core i3 Dual Core 2xxxT CPU (Above 2.5GHz), TDP 35W, 4GB DDR3 (2GB x 2), 802.11b/g/n wireless module, projected capacitive touchscreen, 2M camera, microphone, without LED bar, R13
	AFL2-17AB-H61-P/R-R13	17" 350cd/m <sup>2</sup> SXGA panel PC, Pentium Dual Core G6xxT CPU (Above 2.2GHz), TDP 35W, 4GB DDR3 (2GB x 2), 802.11b/g/n wireless module, resistive touch screen, 2M camera, microphone, without LED bar, R13
	AFL2-17AB-H61-P/PC-R13	17" 350cd/m <sup>2</sup> SXGA panel PC, Pentium Dual Core G6xxT CPU (Above 2.2GHz), TDP 35W, 4GB DDR3 (2GB x 2), 802.11b/g/n wireless module, projected capacitive touchscreen, 2M camera, microphone, without LED bar, R13

## Options

Item	AFL2-17A-H61
Panel Mounting Kit	AFL2PK-17A
Wall Mounting Kit	AFLWK-19B
Rack Mounting Kit	AFL2RK-17A
Arm	ARM-31-RS
Stand	STAND-A19-RS/STAND-A21-R10/STAND-C19-R10
Magnetic Stripe Reader	AFL2P-W19AMSR-U-R10
Slim DVD Burner	AFL2-DVD-KIT01-R10
Module (TPM)	TPM-IN01-R11
EM RFID Reader	AFL2-EM-RFID-KIT01-R10
Mifare RFID Reader	AFL2-MF-RFID-KIT01-R11
OS: Win 7 Embedded (DVD-ROM)	AFL2-17A-H61-WES7P-R13 (for Projected Capacitive Touch) AFL2-17A-H61-WES7E-R13 (for Resistive Touch)

## Packing List

Item	P/N	Q'ty	Description
Utility CD	7B000-000956-RS	1	drivers and user manual
One Key Recovery CD	7B000-000781-RS	1	
Power Adapter	63040-010120-210-RS	1	FSP120-AAB;90~264VAC input ; 120W ;19VAC output (Meet PSE)
Power Cord	32702-000401-100-RS	1	European, 1500mm
Power Transfer Cord	32000-089400-RS	1	
Infrared Remote Controller	7Z000-SLPCB005-RS	1	
M3 Screw Pack	44013-030041-RS	4	M3 x 4 for securing HDD
M4 Screw Pack	44033-040061-RS	4	M4 x 4 for VESA screw
I/O Bracket	41013-0290C2-00-RS	1	I/O Bracket
Temperature Sensor Cable	32133-004300-100-RS	1	
Pen	43125-0002C0-00-RS	1	For Resistive Touch

## CD-RW/DVD-RW Driver Spec.

The drive is able to write CD-R/RW disks, DVD+R/RW disks and DVD-R/RW disks

Drive Type	Internal Slim CD-RW/DVD Combo Drive	
Data Transfer Rate	Write: DVD+R/DVD+RW/DVD-R: 8X DVD-RW: 6X CD-R/CD-RW: 24X	Read: DVD-ROM: 8X CD-ROM: 24X
Interface	SATA	
Buffer Memory	2MB	

1

IEIMobile Solutions

2

Automation Panel Solutions

3

Healthcare Panel PC Solution

4

Industrial System

5

ORing Network Communication

6

Automation Control

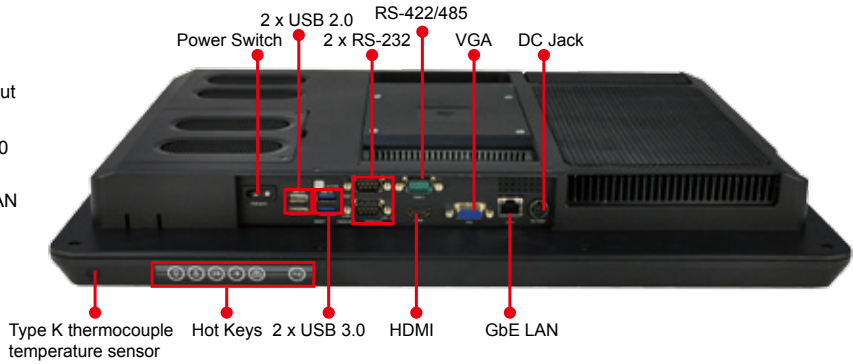
7

Optional Peripherals

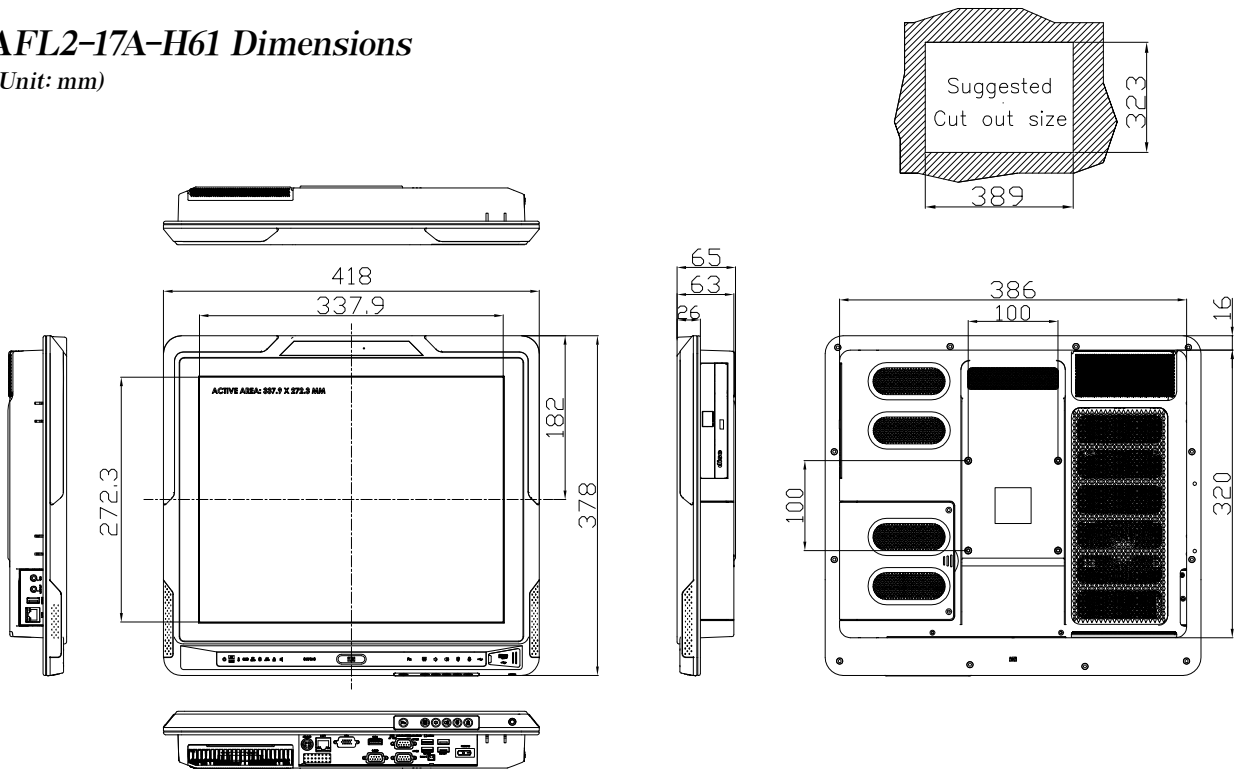


### Function Keys

	Fn		RFID enable / disable
	Backlight On/Off		Audio mute
	Audio -		Camera enable / disable
	Audio +		Front side Mini USB&MicroSD enable / disable
	Brightness -		Power on / off
	Brightness +		



### AFL2-17A-H61 Dimensions (Unit: mm)





# AFL2-W21A-H61

## Intel® Core™ i7/i5/i3 and Pentium® Processor

IEI designed a completely new model for its new AFOLUX GEN II Panel PCs. AFL2-W21A-H61 with exclusive LED light bar function combining

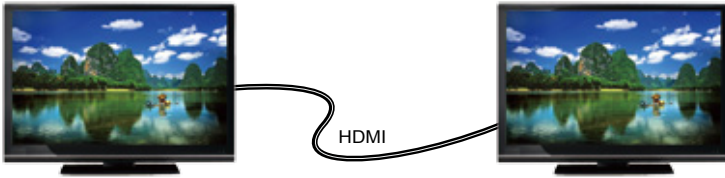
### Features

- Two 204-pin DDR3 SO-DIMM slot (system max. 16GB) pre-installed with 4GB (2GB x 2)
- Projected capacitive touchscreen supported
- Wi-Fi 802.11b/g/n high speed wireless
- EM or Mifare RFID reader
- Programmable colorful LED light bar
- Built-in two 3W speakers and microphone
- Auto dimming control
- Light fanless design
- Wide range 9~36 VDC input



## Full HD Second Display Through HDMI Interface

Full-HD 1080p (1920x1080) reacts the resolution of panel, which is a set of high-definition video modes with 1920 of horizontal resolution and 1080 of vertical resolution. Widescreen aspect ratio of 16:9 supports perfect display sight, with brighter digital display.

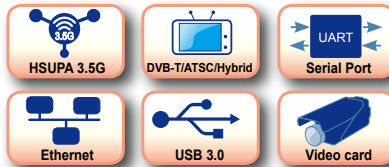


1920 lines of horizontal resolution supporting a 16:9 ratio to perform perfect display sight.

## IEI Customized Expansion

### Standard Connector Type Easy to Design Expansion Module

The AFL2-W21A-H61 can customize the expansion board depending on user's necessary. Customer can choose digital TV, 3G, video capturing...and so on.



Use one system in different markets!

### Features

- Reliable board to board connection
- IEI provides ODM service which customize boards of user's demand.

#### Digital TV



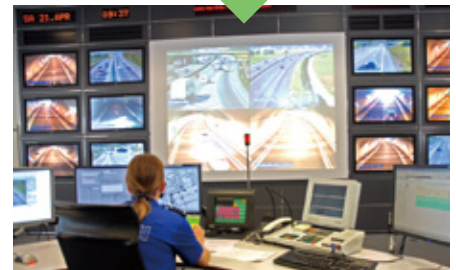
Kiosk System

#### 3G/3.75G



Mobile Broadcasting System

#### 4-Port Video Capture



Surveillance System

1

IEIMobile Solutions

2

Automation Panel Solutions

3

Healthcare Panel PC Solution

4

Industrial System

5

ORing Network Communication

6

Automation Control

7

Optional Peripherals

## Specifications

Model		AFL2-W21A-H61		
LCD Specifications	LCD Display	W21.5" (16:9)		
	Max Resolution	1920 (W) x 1080 (H)		
	Brightness (cd/m <sup>2</sup> )	250		
	Contrast Ratio	1000 : 1		
	LCD Color	16.7M		
	Pixel Pitch (mm)	0.248 mm x 0.248 mm		
	Viewing Angle (H-V)	170° / 160°		
Touch	Backlight MTBF (Hrs)	30000 (LED backlight)		
	Touch Screen	projected capacitive type with USB interface		
System	Touch Controller	EETI EXC7200 & EXC5404		
	CPU	Intel® Core™ i7/i5/i3 and Pentium® processors		
	Chipset	Intel® H61		
	RAM	Support two 204-pin DDR3 SO-DIMM slot (max. 16GB) preinstalled with 4GB (2GB x 2)		
	Storage	1 x 2.5" SATA 3Gb/s HDD Bay		
	Optical Drive	1 x Slim Type DVD-ROM bay		
	Ethernet	Realtek RTL8111E PCIe GbE controller supporting ASF 2.0		
	Audio Codec	Realtek ALC892 HD Audio codec		
	Audio	Amplifier 3W + 3W		
	Webcam & Microphone	2-megapixel camera with low light function Digital Microphone		
	I/O Ports	2 x RS232 (DB9 Connector) 1 x RS422/485 COM Port (DB9 connector) 2 x GbE LAN (RJ-45 connector) 3 x USB 2.0 2 x USB 3.0 1 x HDMI 1 x VGA port (DB-15 Connector) 1 x Power switch 1 x Reset button 1 x AT/ATX switch 1 x Clear CMOS button 1 x Type K 1 x 9~36V DC jack 1 x Line out 1 x Mic		
		Expansion Interface	1 x PCIe Mini for Wi-Fi Module 1 x PCIe Mini reserved	
		Cooling System	Light Fanless	
		Other Features	EM and Mifare RFID	Optional: EM 125 KHz or Mifare 13.56 MHz card reader
LED Light Bar			Programmable R/G/B colorful LED light bar (SMBus Control)	
Function Key			6 x function keys: Key1 Backlight On/Off Key2 Audio - Key3 Audio + Key4 Brightness - Key5 Brightness+ Key6 Fn Combinations: Fn+Key1 RFID Enable/Disable Fn+Key2 Audio Mute Fn+Key3 Camera Enable/Disable Fn+Key5 Power ON/OFF	
Infrared			IR receiver 38KHz	
Light Sensor			Ambient light sensor for panel brightness adjustment	
TPM			Reserved by pin-header	
OS Support			OS Support	Windows Embedded Standard 7 Windows XP Embedded,
Connectivity	Wireless		IEEE 802.11b/g/n module Telec certified	
Physical	Construction Material		PC + ABS plastic for front cover and rear cover	
	Mounting		Wall, Stand and VESA 100 mm x 100mm	
	Enclosure Color	Sliver + Black		
	Dimension (mm)	546.85 (W) x 345.82 (H) x 70.35 (D)		
	Weight (Net/Gross)	8.27 Kg / 11.27 Kg		
Environment	Operating Temperature (with air flow)	-10°C ~ 50°C		
	Storage Temperature	-20°C ~ 60°C		
	Humidity	10% to 90% (non-condensing)		
	IP Level	IP 64 compliant front panel		
	Safety and EMC	CE & FCC		
Power	Power Adapter	120W power adapter Input: 100 V AC ~ 240 V AC, 50 / 60Hz, Output: 19 V DC		
	Power Input	9 ~ 36V DC-IN		
	Power Consumption	19W@3.82A (Intel® Core™ i3-2120T processor with 4GB DDR3 memory)		

## Ordering Information

LED Bar	Model	Description
LED Bar	AFL2-W21A-H61-i5/PC-R11	21.5" 250cd/m <sup>2</sup> FHD panel PC, Core i5 Dual Core 2xxxT CPU (Above 2.7GHz), TDP 35W, 4GB DDR3 (2GB x 2), 802.11b/g/n wireless module, projected capacitive touchscreen, 2M camera, microphone, R11
	AFL2-W21A-H61-i3/PC-R11	21.5" 250cd/m <sup>2</sup> FHD panel PC, Core i3 Dual Core 2xxxT CPU (Above 2.5GHz), TDP 35W, 4GB DDR3 (2GB x 2), 802.11b/g/n wireless module, projected capacitive touchscreen, 2M camera, microphone, R11
	AFL2-W21A-H61-P/PC-R11	21.5" 250cd/m <sup>2</sup> FHD panel PC, Pentium Dual Core G6xxT CPU (Above 2.2GHz), TDP 35W, 4GB DDR3 (2GB x 2), 802.11b/g/n wireless module, projected capacitive touchscreen, 2M camera, microphone, R11
Without LED Bar	AFL2-W21AB-H61-i5/PC-R11	21.5" 250cd/m <sup>2</sup> FHD panel PC, Core i5 Dual Core 2xxxT CPU (Above 2.7GHz), TDP 35W, 4GB DDR3 (2GB x 2), 802.11b/g/n wireless module, projected capacitive touchscreen, 2M camera, microphone, without LED bar, R11
	AFL2-W21AB-H61-i3/PC-R11	21.5" 250cd/m <sup>2</sup> FHD panel PC, Core i3 Dual Core 2xxxT CPU (Above 2.5GHz), TDP 35W, 4GB DDR3 (2GB x 2), 802.11b/g/n wireless module, projected capacitive touchscreen, 2M camera, microphone, without LED bar, R11
	AFL2-W21AB-H61-P/PC-R11	21.5" 250cd/m <sup>2</sup> FHD panel PC, Pentium Dual Core G6xxT CPU (Above 2.2GHz), TDP 35W, 4GB DDR3 (2GB x 2), 802.11b/g/n wireless module, projected capacitive touchscreen, 2M camera, microphone, without LED bar, R11

1

IEIMobile Solutions

2

Automation Panel Solutions

3

Healthcare Panel PC Solution

4

Industrial System

5

ORing Network Communication

6

Automation Control

7

Optional Peripherals

## Options

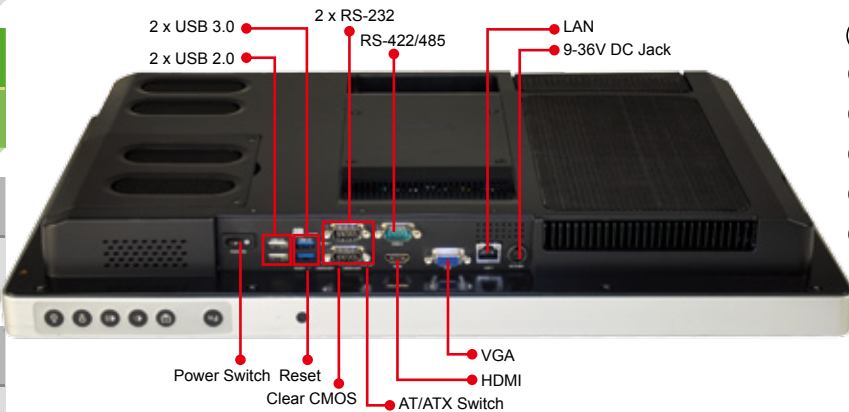
Item	AFL2-W21A-H61
Panel Mount Kit	AFL2PK-W21A
Wall Mounting Kit	AFLWK-19B
Stand	STAND-A21-R10
ARM	ARM-31-RS
Slim DVD Burner Installation Kit (Including SATA Cable)	AFL2-DVD-KIT01-R10
Magnetic Stripe Reader	AFL2P-W21AMSR-U-R10
Trusted Platform Module (TPM)	TPM-IN01-R11
EM RFID Reader	AFL2-EM-RFID-KIT01-R10
Mifare RFID Reader	AFL2-MF-RFID-KIT01-R11
OS: Windows® XP Embedded (CD-ROM)	AFL2-W21-H61-XPE-R11
OS: Windows® Embedded Standard 7 (DVD-ROM)	AFL2-W21-H61-WES7P-R11
Temperature Sensor Cable	32133-004300-100-RS

## Packing List

Item	P/N	Q'ty	Description
Utility CD	7B000-000952-RS	1	drivers and user manual
One Key Recovery CD	7B000-000781-RS	1	
Power Adapter	63040-010120-210-RS	1	FSP120-AAB ; 90~264VAC input ; 120W ; 19VAC output (Meet PSE)
Power Cord	32702-000401-100-RS	1	European, 1500mm
Power Transfer Cord	32000-089400-RS	1	
Infrared Remote Controller	7Z000-SLPCB005-RS	1	
M3 Screw Pack	44013-030041-RS	4	M3 x 4 for securing HDD
M4 Screw Pack	44033-040061-RS	4	M4 x 4 for VESA screw

1  
IEIMobile Solutions

## Fully Integrated I/O



- Fn
- Backlight On/Off
- Audio -
- Audio +
- Brightness -
- Brightness +
- Fn + RFID Enable/Disable
- Fn + Audio Mute
- Fn + Camera Enable/Disable
- Fn + Power On / Off

2  
Automation Panel Solutions

3  
Healthcare Panel PC Solution

4  
Industrial System

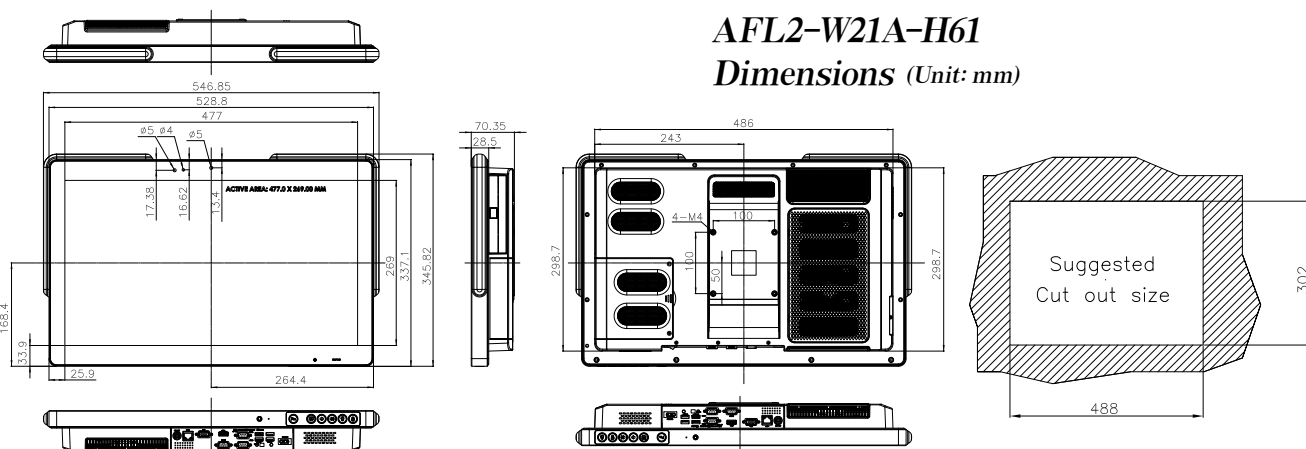
5  
ORing Network Communication

6  
Automation Control

7  
Optional Peripherals

## AFL2-W21A-H61

Dimensions (Unit: mm)



# AFOLUX Selection Guide



LCD Size		7"		8.4"		12.1"
Model		AFL-07A-LX	AFL-W07A-N26	AFL-08AH-LX	AFL-08A-N26	AFL-12A-N26
Display	LCD Size	Wide 7"		8.4 "		12.1"
	Max Resolution (WxH)	800 x 480		800 x 600		1024 x 768
	Brightness (cd/m <sup>2</sup> )	500		450		500
	Contrast Ratio	400:1		600:1		700:1
	LCD Color	262K		262K		262K
	Pixel Pitch (mm) (HxV)	0.0635 (H) x 0.1905 (V)		0.213 (H) x 0.213 (V)		0.240 (H) x 0.240 (V)
	Viewing Angle (H/V)	140°/110°		160°/140°		160°/160°
	Backlight MTBF (hrs)	50000 (LED backlight panel)		50000 (LED backlight panel)		
Motherboard	CPU	AMD Geode LX800 500MHz	Intel® Atom™ N2600 dual core 1.6 GHz CPU	AMD Geode LX800 500MHz Processor	Intel® Atom™ N2600 dual core 1.6 GHz CPU	Intel® Atom™ N2600 dual core 1.6 GHz CPU
	Chipset	AMD Geode LX800 + AMD CS5536	Intel® NM10	AMD Geode LX800 + AMD CS5536	Intel® NM10	Intel® NM10
	RAM	One 200-pin DDR SO-DIMM (max. 1GB)	One 800 MHz 204-pin DDR3 SO-DIMM slot (max. 2G) pre-installed with 2GB	One 200-pin DDR SO-DIMM socket, (max. 1GB)	One 800 MHz 204-pin DDR3 SO-DIMM slot (Max. 2GB) pre-installed with 2GB	One 800 MHz 204-pin DDR3 SO-DIMM slot (Max. 2GB) pre-installed with 2GB
I/O Ports and Switches		1 x RS-232 COM Port (DB-9) 1 x RS-232/422/485 COM Port (DB-9) 2 x RJ-45 for 10/100Mbps LAN 2 x USB 2.0 1 x Power Switch 1 x Reset Button 1 x Power Jack 1 x Audio Jack (Line-out)	1 x 9-28V Lockable DC Jack 1 x RJ45 for RS-232 1 x RS-232/422/485 1 x VGA 2 x GbE LAN 2 x USB 2.0 1 x Power switch 1 x Reset button 1 x AT/ATX switch 1 x Line out	1 x RS-232 COM Port (DB-9) 1 x RS-232/422/485 COM Port (DB-9) 2 x RJ-45 for 10/100Mbps LAN 2 x USB 2.0 1 x Power Switch 1 x Reset Button 1 x Power Jack 1 x Audio Jack (Line-out)	1 x 9-28V lockable DC Jack 1 x RJ-45 for RS-232 1 x RS-232/422/485 1 x VGA 2 x GbE LAN 2 x USB 2.0 1 x Power switch 1 x Reset button 1 x AT/ATX switch 1 x Line out	1 x 9-28V lockable DC Jack 1 x RJ-45 for RS-232 1 x RS-232/422/485 1 x VGA 2 x GbE LAN 4 x USB 2.0 1 x Power switch 1 x Reset button 1 x AT/ATX switch 1 x Line out
Drive Bay Storage	HDD	--	--	--	--	1 x 2.5" SATA HDD 1 x mSATA SSD
	CF	CF Type II	mSATA	CF Type II	mSATA	--
Wireless Connection	Wi-Fi	IEEE 802.11 b/g (internal Mini PCI)	IEEE 802.11b/g/n (internal PCIe Mini card) Telec certified	IEEE 802.11 b/g (internal Mini PCI)	IEEE 802.11 b/g (internal Mini PCI) Telec certified	IEEE 802.11b/g/n (internal PCIe Mini card) Telec certified
Physical	Dimensions (WxHxD) (mm)	226 x 140 x 41		234 x 134 x 42		304 x 246 x 50
	Net Gross Weight	0.8 Kg	0.6 Kg	0.8 Kg		1.8 Kg
System Cooling		Fanless				
Environment	Operation Temperature	0°C~50°C	-10°C~50°C	0°C~50°C	-10°C ~50°C	-10°C~50°C
	Storage Temperature	-20°C~60°C			-20°C~60°C	
Power Requirement		12 VDC	9-28V DC	12VDC	9-28V DC	9-28 VDC

1  
IEIMobile Solutions

2  
Automation Panel Solutions

3  
Healthcare Panel PC Solution

4  
Industrial System

5  
ORing Network Communication

6  
Automation Control

7  
Optional Peripherals

# AFOLUX Selection Guide



LCD Size		15"	17"	19"
Model		AFL-15i-HM55	AFL-17i-HM55	AFL-19i-HM55
Display	LCD Size	15"	17"	19"
	Max Resolution (WxH)	1024 x 768	1280 x 1024	1280 x 1024
	Brightness (cd/m <sup>2</sup> )	400 or 250	350	350
	Contrast Ratio	700:1	800:1	1000 : 1
	LCD Color	262K or 16.7M	16.7M	16.7M
	Pixel Pitch (mm) (HxV)	0.297 (H) x 0.297 (V)	0.264(H) x 0.264(V)	0.294 (H) x 0.294 (V)
	Viewing Angle (H/V)	160° / 140° or 170° / 160°	170° / 160°	170° / 160°
	Backlight MTBF (hrs)	50000 (LED backlighting) or 30000	50000	50000 hrs (LED backlighting)
Motherboard	CPU	Intel® Core™ i7/i5/i3/Celeron® Processor	Intel® Celeron® M P4500 CPU Intel® Core™ i7/i5/i3	Intel® Core™ i7/i5/i3/Celeron® Processor
	Chipset	Intel® HM55	Intel® HM55	Intel® HM55
	RAM	Two 204-pin 800/1066MHz DDR3 dual-channel SO-DIMMs supported (Max. 8GB)	Two 204-pin DDR3 SO-DIMM (max. 8GB)	Two 204-pin 800/1066MHz DDR3 dual-channel SO-DIMMs supported (Max. 8GB)
I/O Ports and Switches		1 x RS-232 COM Port 1 x RS-232/422/485 COM Port 2 x RJ-45 for Giga LAN 4 x USB 2.0 1 x Power Switch 1 x Reset Button 1 x Audio Port (Line-out) 1 x VGA 1 x Power Jack 1 x HDMI Port	1 x RS-232 COM Port (DB-9) 1 x RS-232/422/485 COM Port (DB-9) 2 x RJ-45 for GbE LAN 4 x USB 2.0 1 x Power Switch 1 x Reset Button 1 x Power Jack 1 x Audio Jack (Line-out) 1 x VGA (DB-15) 1 x HDMI Port	1 x RS-232 COM Port 1 x RS-232/422/485 COM Port 2 x RJ-45 for Giga LAN 4 x USB 2.0 1 x Power Switch 1 x Reset Button 1 x Audio Port (Line-out) 1 x VGA 1 x Power Jack 1 x HDMI Port
Drive Bay	HDD	1 x 2.5" SATA HDD bay	1 x 2.5" SATA HDD bay	1 x 2.5" SATA HDD bay
	CF	--	--	--
Wireless Connection	Wi-Fi	IEEE 802.11b/g/n (internal Mini PCI) Telec certified	IEEE 802.11b/g/n (internal PCIe Mini card) Telec certified	IEEE 802.11b/g/n (internal Mini PCI) Telec certified
Physical	Dimensions (WxHxD) (mm)	394 x 309 x 66	428 x 350 x 71	470 x 383 x 72
	Net Gross Weight	5.8 Kg	6.0 Kg	6.2Kg
System Cooling		Active with fan	Active with fan	Active with fan
Environment	Operation Temperature	0°C~50°C	0°C~50°C	0°C~50°C
	Storage Temperature			
Power Requirement		12VDC	12 VDC	12 VDC

1

IEIMobile Solutions

2

Automation Panel Solutions

3

Healthcare Panel PC Solution

4

Industrial System

5

ORing Network Communication

6

Automation Control

7

Optional Peripherals

7" Wide Screen WVGA AFOLUX PPC

## AFL-07A-LX

AMD Geode™ LX 800 500 MHz Processor

## AFL-W07A-N26

Intel® Atom™ N2600 1.6GHz Processor

### 9V ~ 28V Wide DC Power Input

The compact fanless AFL-W07A-N26 model with widescreen high-brightness panel is ideal for setup in a place where space and light is limited. This makes it an ideal choice for mobile and transportation PC applications.



**16:9**  
Wide Screen

### Features

- 7" widescreen WVGA LED backlight TFT LCD with resistive touch screen
- 9V~28V wide range DC power input (for Intel® N2600 platform)
- Compact design with plastic housing
- Fanless cooling system
- Selectable AT/ATX power mode
- System memory up to 2 GB SDRAM
- Built-in 802.11b/g/n Wireless LAN
- Built-in speakers
- One compactFlash® slot
- IP 64 compliant front panel
- IEI One Key Recovery solution allows you to create rapid OS backup and recovery (suggest with over 4GB storage capacity)



### Specifications

Model	AFL-07A-LX	AFL-W07A-N26
LCD Size	7"	
Max Resolution	800 x 480	
Brightness (cd/m <sup>2</sup> )	500	
Contrast Ratio	400:1	
LCD Color	262K	
Pixel Pitch (mm)	0.0635 (H) x 0.1905 (V)	
Viewing Angle (H-V)	140° / 110°	
Backlight MTBF	50000 hrs (LED Backlight)	
SBC Model	AFLMB-LX-800	AFLMB-CV-N2600-R10
CPU	AMD Geode™ LX 800 (500Mhz)	Intel® Atom™ N2600 dual core 1.6 GHz CPU
Chipset	AMD LX800 + AMD CS5536	Intel® NM10
RAM	Supports one 333MHz or 400MHz DDR SO-DIMM (1GB Max.)	One 800 MHz 204-pin DDR3 SO-DIMM slot (max. 2G) pre-installed with 2GB
I/O Ports	1 x RS-232 COM Port 1 x RS-232/422/485 COM Port 2 x RJ-45 for 10/100Mbps LAN 2 x USB 2.0 1 x Power Switch 1 x Reset Button 1 x Power Jack 1 x Audio Jack (Line-out)	1 x 9-28V Lockable DC Jack 1 x RJ45 for RS-232 1 x RS-232/422/485 1 x VGA 2 x GbE LAN 2 x USB 2.0 1 x Power switch 1 x Reset button 1 x AT/ATX switch 1 x Line out
Storage	CF Type II	mSATA
Watchdog Timer	Software programmable supports 1~255 sec. system reset	
Audio	N/A	AMP 1.5W + 1.5W (internal speaker)
Wireless Connection	1 x Wireless LAN 802.11 b/g Module (internal Mini PCI interface)	1 x Wireless LAN 802.11b/g/n 2T2R Module (internal PCIe Mini card interface) Telec certified
Construction Front Panel	ABS + PC Plastic front frame	
LED Function	1 x LED on front panel for power on/off	
Mounting	Panel, Wall, Rack, Stand or Arm mounting VESA 75mm x 75mm	
Front Panel Color	Gray 7539U	
Dimensions (WxHxD) (mm)	226 x 140 x 41	
Operation Temperature (°C)	0~50°C	-10°C~50°C
Storage Temperature (°C)	-20°C ~ 60°C	
N/G Weight	0.6 Kg	
IP Level	Front Frame IP64	
Safety & EMC	CE / FCC	
Touch Screen	4-wire Resistive Type (touch controller IC is on board)	
Power Adapter	P/N: 63040-010036-111-RS 36W Power Adapter (Meet PSE) Input: 90VAC~264VAC, 50/60Hz Output: 12VDC	P/N: 63040-010036-121-RS 36W Power Adapter (Meet PSE) Input: 90VAC~264VAC, 50/60Hz Output: 12VDC
Power Requirement	12VDC	9-28V DC
Power Consumption	20W	23W

1

IEIMobile Solutions

2

Automation Panel Solutions

3

Healthcare Panel PC Solution

4

Industrial System

5

ORing Network Communication

6

Automation Control

7

Optional Peripherals

## Ordering Information

Part Number	Description
AFL-07A-LX/R/512-R24	7" 500 cd/m <sup>2</sup> , WVGA fanless panel PC with AMD LX-800 CPU, AT/ATX mode, 802.11b/g Wireless Module, Touch screen and 512MB DDR RAM, R24
AFL-W07A-N26/R/2G-R11	7" 500cd/m <sup>2</sup> , WVGA fanless panel PC with Intel® Atom™ cedarview N2600 dual core 1.6GHz, 802.11b/g/n wireless module, touch screen, 2GB DDR3, R11

## ISMM Support Functions

	Voltage	Fan	Smart Fan	Temperature	WDT	Cash Drawer
AFL-07A-LX	V			V	V	
AFL-W07A-N26	V			V	V	

## Packing List

Item	Part Number	Q'ty	Specification
Screw Pack	44013-030041-RS	4	M3;5mm
Power Adpater	63040-010036-111-RS (for AFL-07A-LX) 63040-010036-121-RS (for AFL-07A-N26)	1	90~264V AC; 12V DC; 36W (Meet PSE)
Power Cord	32000-000002-RS	1	1750mm; European Standard (EU or US, depending on the shipment country)
Utility CD	7B000-000087-RS	1	
Touch Pen	43125-0002C0-00-RS	1	
One Key Recovery CD		1	
RJ45 to RS-232 Transfer Cable	32005-000200-200-RS	1	300MM; RJ45 to D-SUB 9P transfer cable

## Options

Model	AFL-07A-LX	AFL-W07A-N26
Panel Mounting Kit	AFLPK-12	
Wall Mounting Kit	AFLWK-12	
Rack Mounting Kit	AFLRK-07	
Arm	ARM-11-RS / ARM-31-RS	
Stand	STAND-100-RS	
VSTAND	VSTAND-A07-R11	
9~30VDC to 12VDC Converter Module	IDD-930160-KIT	
OS: Win CE 5.0 (128 MB CF card)	AFLCF-07-LX-CE-R21	--
OS: Win CE 6.0 (128 MB CF card)	AFLCF-07-LX-CE060-R21	--
OS: Win XPE (1 GB CF card)	AFLCF-07-LX-XPE-R21	AFL-W07-N26-XPE-R11*
OS: Win 7 Embedded (4 GB CF card or CD-ROM)	--	AFL-W07-N26-WES7E-R11*
Magnetic Stripe Reader	AFLP-08AMSR-U	
DC 12V Input UPS	AUPS-A10-R10 (7.4V 3800mAH)	
DC 9~36V Input UPS	AUPS-A20-R10 (7.4V 3800mAH)	

\*OS image with CD-ROM

1

IEIMobile Solutions

2

Automation Panel Solutions

3

Healthcare Panel PC Solution

4

Industrial System

5

ORing Network Communication

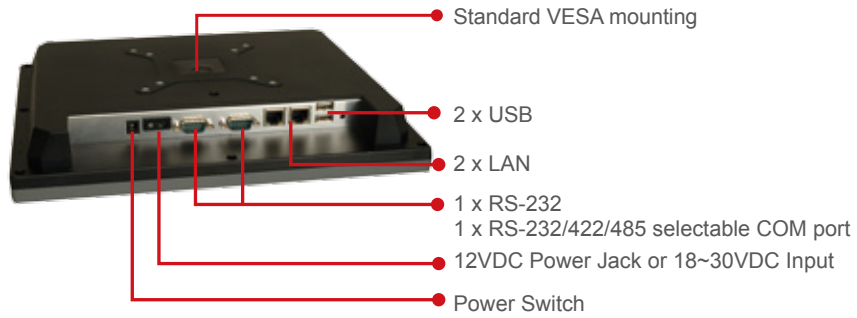
6

Automation Control

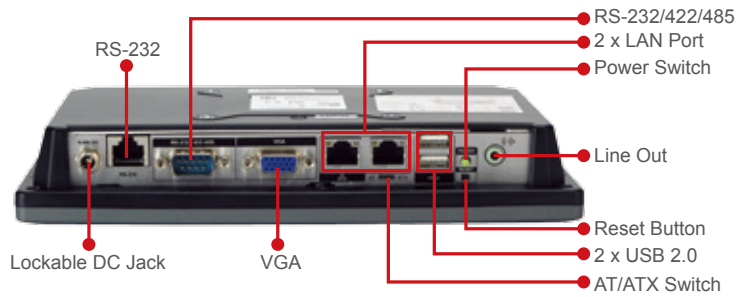
7

Optional Peripherals

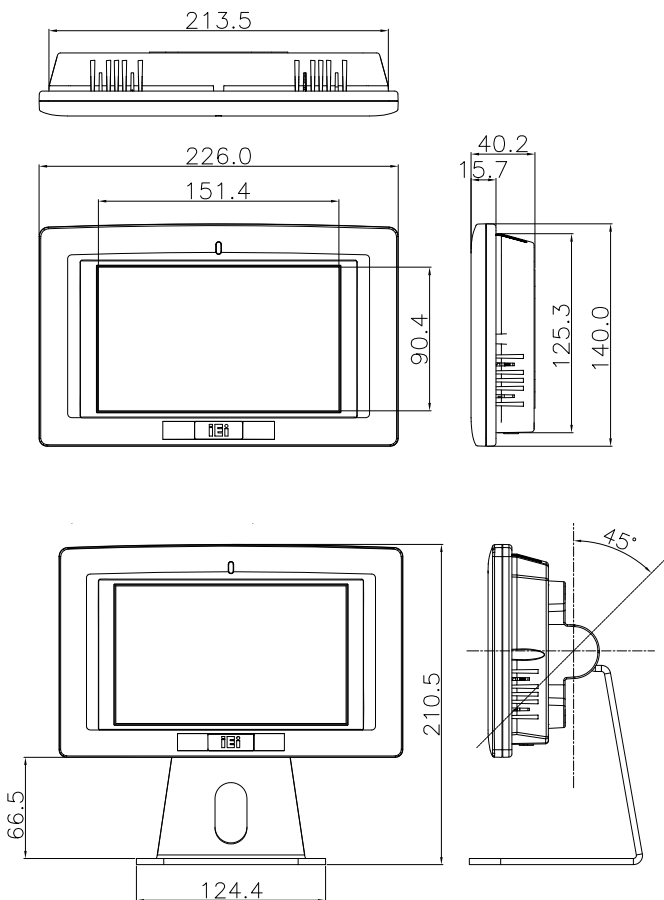
**AFL-07A-LX**  
Fully Integrated I/O



**AFL-W07A-N26**  
Fully Integrated I/O



**Dimensions (Unit: mm)**



1

IEIMobile Solutions

2

Automation Panel Solutions

3

Healthcare Panel PC Solution

4

Industrial System

5

ORing Network Communication

6

Automation Control

7

Optional Peripherals



8.4" SVGA AFOLUX Panel PC

## AFL-08AH-LX

AMD Geode™ LX 800 500 MHz Processor

## AFL-08A-N26

Intel® Atom™ N2600 1.60 GHz Processor



### Features

- 8.4" TFT LED Backlight LCD with resistive touch screen
- 9V~28V wide range DC power input (for Intel® N2600 platform)
- Fanless cooling system
- Selectable AT/ATX power mode
- System memory up to 2GB SDRAM
- Built-in 802.11b/g/n Wireless LAN
- Built-in speakers
- One CompactFlash® slot
- IP 64 compliant front panel
- IEI One Key Recovery solution allows you to create rapid OS backup and recovery (Suggest over 4GB storage capacity)



### Specifications

Model	AFL-08AH-LX	AFL-08A-N26
LCD Size	8.4"	
Max Resolution	800 x 600	
Brightness (cd/m <sup>2</sup> )	450	
Contrast Ratio	600:1	
LCD Color	262K	
Pixel Pitch (mm)	0.213 (H) x 0.213 (V)	
Viewing Angle (H-V)	160° / 140°	
Backlight MTBF	50000 hrs (LED Backlight)	
SBC Model	AFLMB-LX-800	
CPU	AMD Geode™ LX 800 (500MHz)	Intel® Atom™ N2600 dual core 1.6 GHz CPU
Chipset	AMD LX 800 + AMD CS5536	Intel® NM10
RAM	Supports one 400MHz or 533MHz DDR SO-DIMM (Max.1GB)	
I/O Ports	1 x RS-232 COM Port 1 x RS-232/422/485 COM Port 2 x RJ-45 for 10/100Mbps LAN 2 x USB 2.0 1 x Power Switch 1 x Reset Button 1 x Power Jack	1 x 9-28V lockable DC Jack 1 x RJ-45 for RS-232 1 x RS-232/422/485 1 x VGA 2 x GbE LAN 2 x USB 2.0 1 x Power switch 1 x Reset button 1 x AT/ATX switch 1 x Line out
Storage	CF Type II	mSATA
Watchdog Timer	Software programmable supports 1~255 sec. system reset	
Audio	N/A	AMP 1.5W + 1.5W (internal speaker)
Wireless Connection	1 x Wireless LAN 802.11 b/g Module (internal Mini PCI interface)	1 x Wireless LAN 802.11b/g/n Module (internal PCIe Mini card interface) Telec certified
Construction Front Panel	ABS + PC Plastic front frame	
LED Function	1 x Power on/off LED on front panel	
Mounting	Panel, Wall, Rack, Stand and Arm VESA 75mm x 75mm	
Front Panel Color	Gray 7539U	
Dimensions (WxHxD) (mm)	234 x 184 x 42	
Operation Temperature (°C)	0°C ~ 50°C	-10°C ~ 50°C
Storage Temperature (°C)	-20°C ~ 60°C	
N/G Weight	0.8 Kg	
IP Level	IP 64 compliant front panel	
Safety & EMC	CE / FCC	
Touch Screen	4-Wire Resistive Type (touch controller IC is on board)	
Power Adapter	P/N: 63040-010036-111-RS 36W Power Adapter (Meet PSE) Input: 90VAC~264VAC, 50/60Hz Output: 12VDC	P/N: 63040-010036-121-RS 36W Power Adapter (Meet PSE) Input: 90VAC~264VAC, 50/60Hz Output: 12VDC
Power Requirement	12VDC	9-28V DC
Power Consumption	20W	29W

1

IEIMobile Solutions

2

Automation Panel Solutions

3

Healthcare Panel PC Solution

4

Industrial System

5

ORing Network Communication

6

Automation Control

7

Optional Peripherals

## Ordering Information

Part Number	Description
AFL-08AH-LX/R/512-R24	8.4" 450 cd/m <sup>2</sup> , SVGA fanless panel PC with AMD LX-800 CPU, AT/ATX mode, 802.11b/g Wireless Module, Touch screen and 512MB DDR RAM, R24
AFL-08A-N26/R/2G-R11	8.4" 450cd/m <sup>2</sup> , SVGA fanless panel PC with Intel® Atom™ N2600 dual core 1.6GHz, 802.11b/g/n wireless module, touch screen, 2GB DDR3, R11

## ISMM Supported Functions

	Voltage	Fan	Smart Fan	Temperature	DIO	WDT	Cash Drawer
AFL-08AH-LX	V			V		V	
AFL-08AH-N26	V			V		V	

## Packing List

Item	Part Number	Q'ty	Specification
Screw Pack	44013-030041-RS	4	M3,5mm
Power Adpater	63040-010036-111-RS (for AFL-08AH-LX) 63040-010036-121-RS (for AFL-08A-N26)	1	90~264V AC; 12V DC; 36W (Meet PSE)
Power Cord	32000-000002-RS	1	1750mm; European Standard (EU or US, depending on the shipment country)
Utility CD	7B000-000087-RS	1	
Touch Pen	43125-0002C0-00-RS	1	
One Key Recovery CD		1	
RJ45 to RS-232 Transfer Cable	32005-000200-200-RS	1	300MM; RJ45 to D-SUB 9P transfer cable

## Options

Model	AFL-08AH-LX	AFL-08A-N26
Panel Mounting Kit		AFLPK-12
Wall Mounting Kit		AFLWK-12
Rack Mounting Kit		AFLRK-08
Arm		ARM-11-RS / ARM-31-RS
Stand		STAND-100-RS
VSTAND		VSTAND-A10-R11
9~30VDC to 12VDC Converter Module		IDD-930160-KIT
OS: Win CE 5.0 (128 MB CF card)	AFLCF-08-LX-CE-R21	--
OS: Win CE 6.0 (128 MB CF card)	AFLCF-08-LX-CE060-R21	--
OS: Win XPE (1 GB CF card)	AFLCF-08-LX-XPE-R21	AFL-W07-N26-XPE-R11*
OS: Win 7 Embedded (4 GB CF card or CD-ROM)	--	AFL-W07-N26-WES7E-R11*
Magnetic Stripe Reader		AFLP-08AMSR-U
DC 12V Input UPS		AUPS-A10-R10 (7.4V 3800mAh)
DC 9~36V Input UPS		AUPS-A20-R10 (7.4V 3800mAh)
DC jack to terminal block power converter cable		32002-005500-100-RS

\*OS image with CD-ROM

1

IEIMobile Solutions

2

Automation Panel Solutions

3

Healthcare Panel PC Solution

4

Industrial System

5

ORing Network Communication

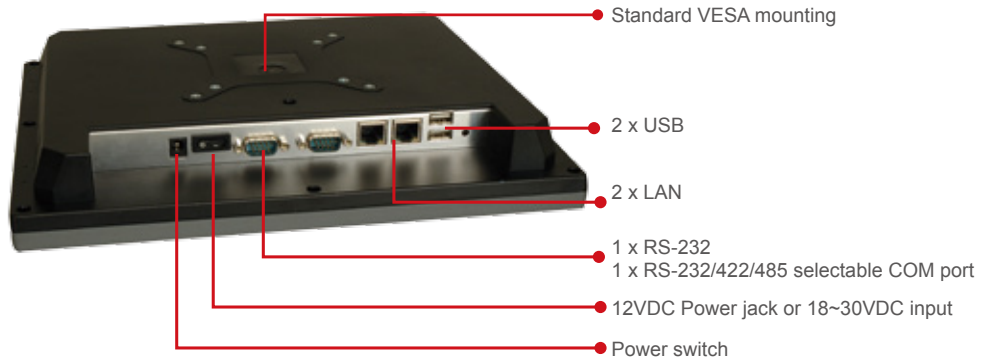
6

Automation Control

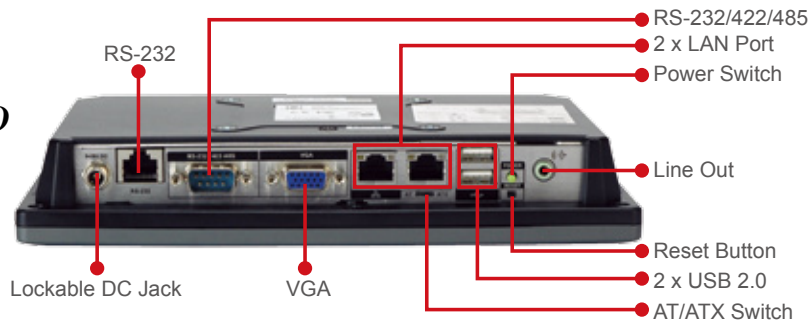
7

Optional Peripherals

**AFL-08AH-LX**  
Fully Integrated I/O



**AFL-08A-N26**  
Fully Integrated I/O



1  
IEIMobile  
Solutions

2  
Automation  
Panel  
Solutions

3  
Healthcare  
Panel PC  
Solution

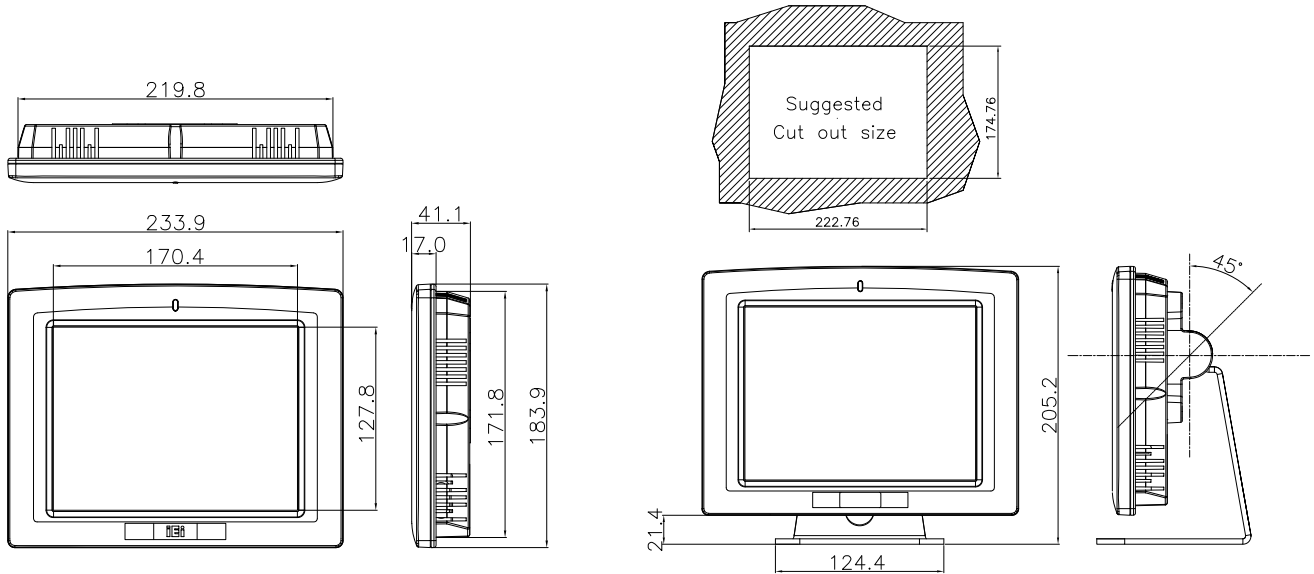
4  
Industrial  
System

5  
ORing  
Network  
Communication

6  
Automation  
Control

7  
Optional  
Peripherals

**AFL-08AH/AFL-08A**  
Dimensions (Unit: mm)



12.1" XGA AFOLUX Panel PC

## AFL-12A-N26

Intel® Atom™ N2600 1.6GHz Processor



### Features

- 12.1" TFT LED backlight LCD with resistive touch screen
- Fanless cooling system
- 9V~28V wide range DC power input (for Intel® N2600 platform)
- Selectable AT/ATX power mode through the switch inside the chassis
- One CompactFlash® slot
- IP 64 compliant front panel
- IEI One Key Recovery solution allows you to create rapid OS backup and recovery (Suggest over 4GB storage capacity)



### Specifications

Model	AFL-12A-N26	
LCD Size	12.1"	
Max Resolution	1024 x 768	
Brightness (cd/m <sup>2</sup> )	500	
Contrast Ratio	700 : 1	
LCD Color	262K	
Pixel Pitch (mm)	0.240 (H) x 0.240 (V)	
Viewing Angle (H-V)	160° / 160°	
Backlight MTBF	50000 (LED Backlight)	
SBC Model	AFLMB-CV-N2600-R10	
CPU	Intel® Atom™ N2600 dual core 1.6 GHz CPU	
Chipset	Intel® NM10	
RAM	One 800 MHz 204-pin DDR3 SO-DIMM slot (Max. 2GB) pre-installed with 2GB	
I/O Ports	1 x RS-232 COM Port 1 x RS-232/422/485 COM Port 2 x RJ-45 for Giga LAN 4 x USB 2.0 1 x Power Switch 1 x Reset Button 1 x External SATA 1 x Audio Port 1 x Power Jack	1 x 9-28V lockable DC Jack 1 x RJ-45 for RS-232 1 x RS-232/422/485 1 x VGA 2 x GbE LAN 4 x USB 2.0 1 x Power switch 1 x Reset button 1 x AT/ATX switch 1 x Line out
Storage	mSATA	
Watchdog Timer	Software programmable supports 1~255 sec. system reset	
Audio	AMP 2W + 2W (internal speaker)	
Wireless Connection	Wireless LAN 802.11b/g/n Module (internal PCIe Mini card interface) Telec certified	
Drive Bay	1 x 2.5" SATA HDD & 1 x mSATA SSD	
Construction Front Panel	ABS + PC Plastic front frame	
LED Function	1 x Power on/off LED on front panel	
Mounting	Panel, Wall, Rack, Stand and Arm VESA 75mm x 75mm / 100mm x 100mm	
Front Panel Color	Gray 7539U	
Dimensions (WxHxD) (mm)	304 x 246 x 50	
Operation Temperature (°C)	-10°C~50°C	
Storage Temperature (°C)	-20°C ~ 60°C	
N/G Weight	1.8 Kg	
IP Level	IP 64 compliant front panel	
Safety & EMC	CE / FCC	
Touch Screen	5-wire resistive type (touch controller IC is on board)	
Power Adapter	P/N: 63040-010060-120-RS 60W Power Adapter (Meet PSE) Input: 90VAC~264VAC, 50/60Hz Output: 12VDC	
Power Requirement	9-28V DC	
Power Consumption	32W	

1

IEIMobile Solutions

2

Automation Panel Solutions

3

Healthcare Panel PC Solution

4

Industrial System

5

ORing Network Communication

6

Automation Control

7

Optional Peripherals

## Ordering Information

Part Number	Description
AFL-12A-N26/R/2G-R11	12.1" 500cd/m <sup>2</sup> , XGA fanless panel PC with Intel® Atom™ cedarview N2600 dual core 1.6GHz, 802.11b/g/n wireless module, touch screen, 2GB DDR3, R11

## ISMM Supported Functions

	Voltage	Fan	Smart Fan	Temperature	DIO	WDT	Cash Drawer
AFL-12A-N26	V			V		V	

## Packing List

Item	Part Number	Q'ty	Specification
Screw Pack	44013-030041-RS	4	M3; 5mm
Power Adpater	63040-010060-120-RS 63040-010060-130-RS	1	90~264V AC; 12V DC; 60W (for N2600) (Meet PSE)
Power Cord	32000-000002-RS	1	1750mm; European Standard
Utility CD	7B000-000087-RS	1	
Touch Pen	43125-0002C0-00-RS	1	
One Key Recovery CD		1	
RJ45 to RS-232 Transfer Cable	32005-000200-200-RS	1	300MM; RJ45 to RS-232 transfer cable

## Options

Model	AFL-12A-N26
Panel Mounting Kit	AFLPK-12
Wall Mounting Kit	AFLWK-12
Rack Mounting Kit	AFLRK-12
Arm	ARM-11-RS / ARM-31-RS
Stand	STAND-A12-RS / STAND-100-RS
VSTAND	VSTAND-A12
9~30VDC to 12VDC Converter Module	IDD-930160-KIT
OS: Win XPE (1 GB CF card)	AFL-W07-N26-XPE-R11*
OS: Win 7 Embedded (4 GB CF card or CD-ROM)	AFL-W07-N26-WES7E-R11*
Magnetic Stripe Reader	AFLP-12AMSR-U
DC 12V Input UPS	AUPS-A10-R10 (7.4V 3800mAH)
DC 9~36V Input UPS	AUPS-A20-R10 (7.4V 3800mAH)
DC jack to terminal block power converter cable	32002-005500-100-RS

1  
IEIMobile  
Solutions

2  
Automation  
Panel  
Solutions

3  
Healthcare  
Panel PC  
Solution

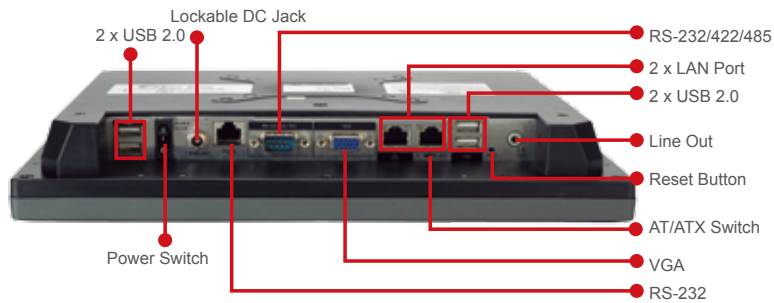
4  
Industrial  
System

5  
ORing  
Network  
Communication

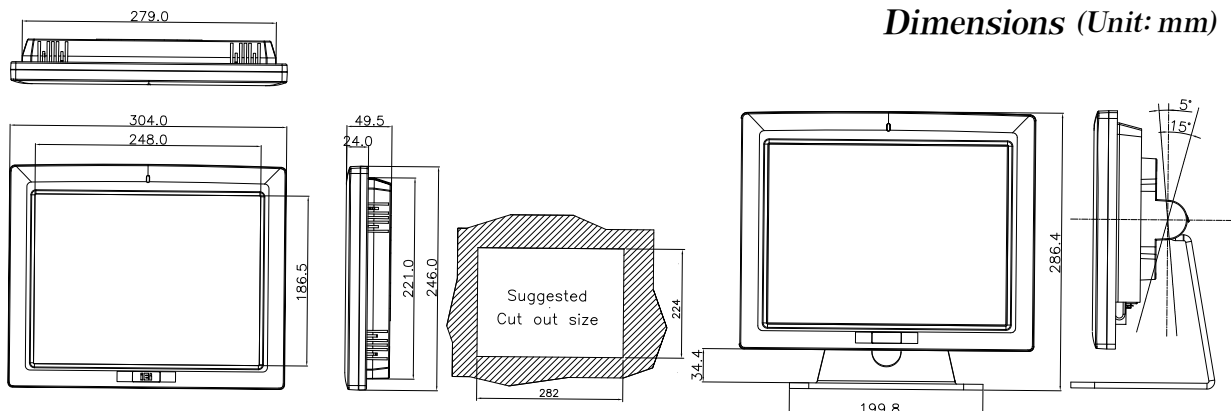
6  
Automation  
Control

7  
Optional  
Peripherals

## AFL-12A-N26 Fully Integrated I/O



## Dimensions (Unit: mm)



15" XGA AFOLUX Panel PC

## AFL-15i-HM55

Intel® Core™ i7/i5/i3/Celeron® Processor



### Features

- Intel® Core i7-620M CPU with Intel® HM55 chipset
- DDR3 1066MHz system memory up to 4GB
- HDMI/VGA port delivers high quality image on the second display
- IEI One Key Recovery solution allows you to create rapid OS backup and recovery (over 4GB storage capacity is suggested)



### Specifications

Model	AFL-15i-HM55
LCD Size	15"
Max Resolution	1024 x 768
Brightness (cd/m <sup>2</sup> )	450
Contrast Ratio	700:1
LCD Color	16.7M
Pixel Pitch (mm)	0.297(H) x 0.297(V)
Viewing Angle (H-V)	160°/150°
Backlight MTBF	50000 hrs (LED backlighting)
SBC Model	AFLMB2-HM55-R10
CPU	Intel® Core™ i7/i5/i3/Celeron® Processor
Chipset	Intel® HM55
RAM	Two 204-pin 800/1066MHz DDR3 dual-channel SO-DIMMs supported (Max. 8GB)
I/O Ports	1 x RS-232 COM Port 1 x RS-232/422/485 COM Port 2 x RJ-45 for Giga LAN 4 x USB 2.0 1 x Power Switch 1 x Reset Button 1 x Audio Port (Line-out) 1 x VGA 1 x Power Jack 1 x HDMI Port
Storage	1 x 2.5" SATA HDD bay
Watchdog Timer	Software programmable supports 1~255 sec. system reset
Audio	AMP 3W + 3W (internal speakers)
Wireless Connection	1 x Wireless LAN 802.11b/g/n Module (internal PCIe Mini card interface)
Construction Front Panel	ABS + PC Plastic front frame
Membrane Keypad	LCD on/off, Brightness up/down, Volume up/down (5 keys)
LED Function	1 x Power on/off LED on front panel
Mounting	Panel, Wall, Rack, Stand and Arm VESA 100mm x 100mm
Front Panel Color	Sliver (877U) & Gray (ABSA2037)
Dimensions (WxHxD) (mm)	394 x 309 x 66
Operation Temperature (°C)	0°C~50°C
Storage Temperature (°C)	-20°C ~ 60°C
N/G Weight	5.8 Kg
IP Level	Front Frame IP64
Touch Screen	Resistive Type 5-Wire
Power Adapter	P/N: 63040-010096-100-RS 96W Power Adapter (Meet PSE) Input: 90VAC~264VAC, 50/60Hz Output: 12VDC
Power Requirement	12VDC
Power Consumption	80W

1

IEIMobile Solutions

2

Automation Panel Solutions

3

Healthcare Panel PC Solution

4

Industrial System

5

ORing Network Communication

6

Automation Control

7

Optional Peripherals

## Ordering Information

Part Number	Description
AFL-15i-HM55-P45/R/1G-R30	15" 450cd/m <sup>2</sup> XGA LED backlighting panel PC with Intel® Celeron P4500 1.86G CPU, 1GB DDR3 RAM, 802.11b/g/n wireless module, touch screen, R30
AFL-15i-HM55i3-35/R/2G-R30	15" 450cd/m <sup>2</sup> XGA LED backlighting panel PC with Intel® Core™ i3-350M 2.26G CPU, 2GB DDR3 RAM, 802.11b/g/n wireless module, touch screen, R30
AFL-15i-HM55i5-52/R/2G-R30	15" 450cd/m <sup>2</sup> XGA LED backlighting panel PC with Intel® Core™ i5-520M 2.4G CPU, 2GB DDR3 RAM, 802.11b/g/n wireless module, touch screen, R30
AFL-15i-HM55i7-62/R/2G-R30	15" 450cd/m <sup>2</sup> XGA LED backlighting panel PC with Intel® Core™ i7-620M 2.66G CPU, 2GB DDR3 RAM, 802.11b/g/n wireless module, touch screen, R30

## ISMM Supported Functions

	Voltage	Fan	Smart Fan	Temperature	WDT	Cash Drawer
AFL-15i-HM55	V	V	V	V	V	

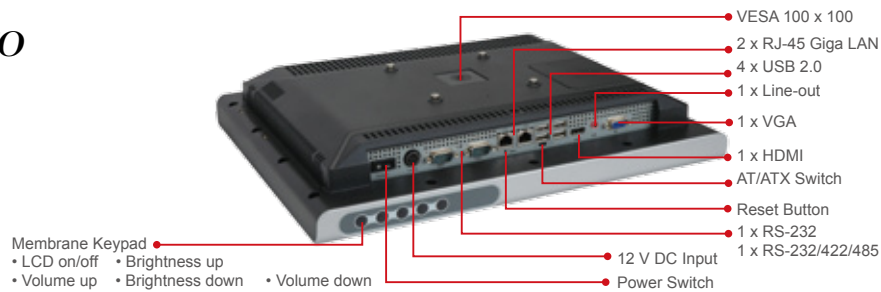
## Packing List

Item	Part Number	Q'ty	Specification
Screw Pack	44013-030041-RS	4	M3;5mm
Power Adpater	63040-010060-110-RS	1	90~264V AC; 12V DC; 96W (Meet PSE)
Power Cord	32000-000002-RS	1	1750mm; European Standard
Utility CD	7B000-000087-RS	1	
Touch Pen	43125-0002C0-00-RS	1	
One Key Recovery CD		1	

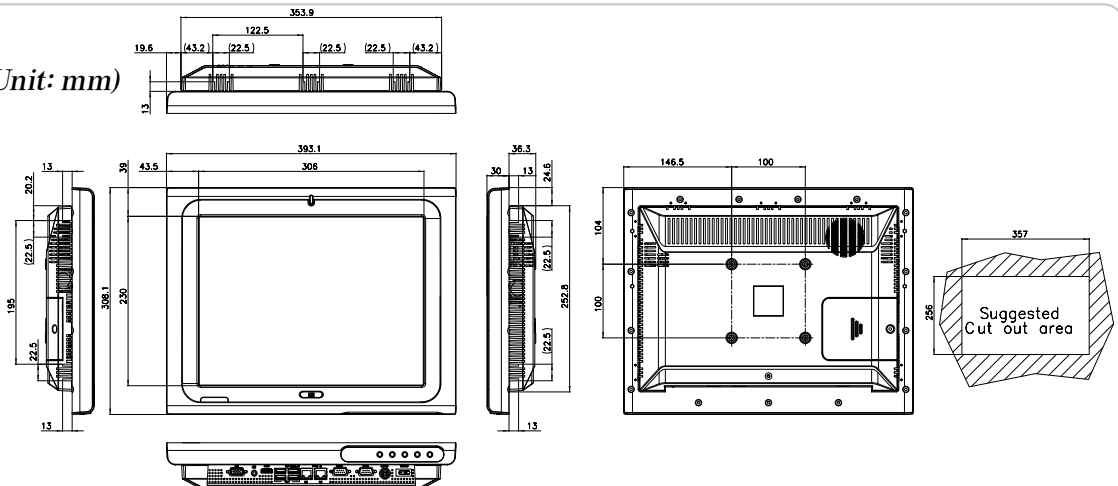
## Options

Model	AFL-15i-HM55
Panel Mounting Kit	AFLPK-15B
Wall Mounting Kit	AFLWK-19B
Rack Mounting Kit	AFLRK-15i-R10
Arm	ARM-11-RS / ARM-31-RS
Stand	STAND-A19-RS / STAND-A21-R10-R10 / STAND-210-R11
OS: Win XPE	AFLSD-15-HM55-2G-XPE-R21 (w/o storage)
OS: Win 7 Embedded	AFLSD-15-HM55-4G-WES7E-R21 (w/o storage)
Hybrid Card Reader	AFLP-17AMSI-U
Magnetic Stripe Reader	AFLP-17AMSR-U
DC 12V Input UPS	AUPS-B10-R10 (14.8V 3800mAH)
DC 9~36V Input UPS	AUPS-B20-R10 (14.8V 3800mAH)

## Fully Integrated I/O



## AFL-15i Dimensions (Unit: mm)



17" SXGA AFOLUX Panel PC

## AFL-17i-HM55

Intel® Core™ i7/i5/i3/Celeron® Processor



### New HM55 Platform Features:

- Powered by high performance 2.66 GHz Intel® Core i7-620M CPU with Intel® HM55 chipset
- DDR3 800/1066MHz system memory up to 8GB
- HDMI port delivers high image quality on the second display
- IEI One Key Recovery solution allows you to create rapid OS backup and recovery (over 4GB storage capacity is suggested)



### Specifications

Model	AFL-17i-HM55
LCD Size	17"
Max Resolution	1280 x 1024
Brightness (cd/m <sup>2</sup> )	350
Contrast Ratio	800 : 1
LCD Color	16.7M
Pixel Pitch (mm)	0.264 (H) x 0.264 (V)
Viewing Angle (H-V)	170° / 160°
Backlight MTBF	50000 hrs
SBC Model	AFLMB2-HM55-R10
CPU	Intel® Core™ i7/i5/i3/Celeron® Processor
Chipset	Intel® HM55
RAM	Two 204-pin 800/1066MHz DDR3 dual-channel SO-DIMMs supported (Max. 8GB)
I/O Ports	1 x RS-232 COM Port 1 x RS-232/422/485 COM Port 2 x RJ-45 for Giga LAN 4 x USB 2.0 1 x Power Switch 1 x Reset Button 1 x Audio Port (Line-Out) 1 x VGA 1 x Power Jack <b>1 x HDMI Port</b>
Storage	<b>1 x 2.5" SATA HDD bay</b>
Watchdog Timer	Software programmable supports 1~255 sec. system reset
Audio	AMP 3W + 3W (internal speakers)
Wireless Connection	1 x Wireless LAN 802.11b/g/n Module (internal PCIe Mini card interface)
Construction Front Panel	ABS + PC Plastic front frame
Membrane Keypad	LCD On/Off, Brightness Up/Down, Volume Up/Down (5 keys)
LED Function	1 x Power on/off LED on front panel
Mounting	Panel, Wall, Rack, Stand and Arm VESA 100mm x 100mm
Front Panel Color	Sliver (877U) & Gray (ABSA2037)
Dimensions (WxHxD) (mm)	428 x 350 x 71
Operation Temperature (°C)	0°C ~ 50°C
Storage Temperature (°C)	-20°C ~60°C
N/G Weight	6.0 Kg
IP Level	IP 64 compliant front panel
Touch Screen	5-wire resistive type (touch controller IC is on board)
Power Adapter	P/N: 63040-010096-100-RS 96W Power Adapter (Meet PSE) Input: 90VAC~264VAC, 50/60Hz Output: 12VDC
Power Requirement	12VDC
Power Consumption	85W

1  
IEIMobile Solutions

2  
Automation Panel Solutions

3  
Healthcare Panel PC Solution

4  
Industrial System

5  
ORing Network Communication

6  
Automation Control

7  
Optional Peripherals



## Ordering Information

Part Number	Description
AFL-17i-HM55-P45/R/1G-R20	17" 350cd/m <sup>2</sup> SXGA panel PC with Intel® Celeron® P4500 1.86G CPU, 1GB DDR3 RAM, 802.11b/g/n wireless module, touch screen, R20
AFL-17i-HM55i3-35/R/2G-R20	17" 350cd/m <sup>2</sup> SXGA panel PC with Intel® Core™ i3-350M 2.26G CPU, 2GB DDR3 RAM, 802.11b/g/n wireless module, touch screen, R20
AFL-17i-HM55i5-52/R/2G-R20	17" 350cd/m <sup>2</sup> SXGA panel PC with Intel® Core™ i5-520M 2.4G CPU, 2GB DDR3 RAM, 802.11b/g/n wireless module, touch screen, R20
AFL-17i-HM55i7-62/R/2G-R20	17" 350cd/m <sup>2</sup> SXGA panel PC with Intel® Core™ i7-620M 2.66G CPU, 2GB DDR3 RAM, 802.11b/g/n wireless module, touch screen, R20

## ISMM Supported Functions

	Voltage	Fan	Smart Fan	Temperature	WDT
AFL-17i-HM55	V	V	V	V	V

## Packing List

Item	Part Number	Q'ty	Specification
Screw Pack	44013-030041-RS	4	M3; 5mm
Power Adpater	63040-010096-100-RS	1	90~264V AC; 12V DC; 96W (Meet PSE)
Power Cord	32000-000002-RS	1	1750mm; European Standard
Utility CD	7B000-000087-RS	1	
Touch Pen	43125-0002C0-00-RS	1	
One Key Recovery CD		1	

## Options

Model	AFL-17i-HM55
Panel Mounting Kit	AFLPK-17B
Wall Mounting Kit	AFLWK-19B
Rack Mounting Kit	AFLRK-17i-R10
Arm	ARM-11-RS / ARM-31-RS
Stand	STAND-A19-RS / STAND-A21-R10 / STAND-210-R11
OS: Win XPE	AFLSD-15-HM55-2G-XPE-R21 (without storage)
OS: Win 7 Embedded	AFLSD-15-HM55-4G-WES7E-R21 (without storage)
Magnetic Stripe Reader	AFLP-17BMSR-U
DC 12V Input UPS	AUPS-B10-R10 (VESA 100, DC 12V input, 12V output 100W UPS module with 3800mAH)
DC 9~36V Input UPS	AUPS-B20-R10 (VESA 100, DC 9~36V input, 12V output 100W UPS module with 3800mAH)

Note: Win CE application without digital microphone function

1  
IEI Mobile Solutions

2  
Automation Panel Solutions

3  
Healthcare Panel PC Solution

4  
Industrial System

5  
ORing Network Communication

6  
Automation Control

7  
Optional Peripherals

## Fully Integrated I/O



### Dimensions (Unit: mm)

19" SXGA AFOLUX Panel PC

## AFL-19i-HM55

Intel® Core™ i7/i5/i3/Celeron® Processor



### New HM55 Platform Features:

- Powered by high performance 2.66 GHz Intel® Core™ i7-620M CPU with Intel® HM55 chipset
- 1066MHz DDR3 system memory up to 4GB
- HDMI port delivers high image quality on the second display
- IEI One Key Recovery solution allows you to create rapid OS backup and recovery (over 4GB storage capacity is suggested)



### Specifications

Model	AFL-19i-HM55
LCD Size	19"
Max Resolution	1280 x 1024
Brightness (cd/m <sup>2</sup> )	350
Contrast Ratio	1000 : 1
LCD Color	16.7M
Pixel Pitch (mm)	0.294 (H) x 0.294 (V)
Viewing Angle (H-V)	170° / 160°
Backlight MTBF	50000 hrs (LED backlighting)
SBC Model	AFLMB2-HM55-R10
CPU	Intel® Core™ i7/i5/i3/Celeron® Processor
Chipset	Intel® HM55
RAM	Two 204-pin 800/1066MHz DDR3 dual-channel SO-DIMMs supported (Max. 8GB)
I/O Ports	1 x RS-232 COM Port 1 x RS-232/422/485 COM Port 2 x RJ-45 for Giga LAN 4 x USB 2.0 1 x Power Switch 1 x Reset Button 1 x Audio Port (Line-out) 1 x VGA 1 x Power Jack 1 x HDMI Port
Storage	1 x 2.5" SATA HDD bay
Watchdog Timer	Software programmable supports 1~255 sec. system reset
Audio	AMP 3W + 3W (internal speakers)
Wireless Connection	1 x Wireless LAN 802.11b/g/n Module (internal PCIe Mini card interface) Telec certified
Construction Front Panel	ABS + PC Plastic front frame
Membrane Keypad	OSD Keypad below the Front Panel (5 keys)
LED Function	1 x Power on/off LED on front panel
Mounting	Panel, Wall, Stand and Arm VESA 100mm x 100mm
Front Panel Color	Sliver (877U) & Gray (ABSA2037)
Dimensions (WxHxD) (mm)	470 x 383 x 72
Operation Temperature (°C)	0°C~50°C
Storage Temperature (°C)	-20°C ~60°C
N/G Weight	6.2Kg
IP Level	Front Frame IP64
Touch Screen	Resistive Type 5-Wire (Touch controller IC is on board)
Power Adapter	P/N: 63040-010096-100-RS 96W Power Adapter (Meet PSE) Input: 90VAC~264VAC, 50 / 60 Hz Output: 12VDC
Power Requirement	12VDC
Power Consumption	88W (Intel® T7500, 2GB memory, 80G HDD)

1

IEIMobile Solutions

2

Automation Panel Solutions

3

Healthcare Panel PC Solution

4

Industrial System

5

ORing Network Communication

6

Automation Control

7

Optional Peripherals

## Ordering Information

Part Number	Description
AFL-19i-HM55-P45/R/1G-R21	19" 350cd/m <sup>2</sup> SXGA LED backlighting panel PC with Intel® Celeron® P4500 1.86G CPU, 1GB DDR3 RAM, 802.11b/g/n wireless module, touch screen, R21
AFL-19i-HM55i3-35/R/2G-R21	19" 350cd/m <sup>2</sup> SXGA LED backlighting panel PC with Intel® Core™ i3-350M 2.26G CPU, 2GB DDR3 RAM, 802.11b/g/n wireless module, touch screen, R21
AFL-19i-HM55i5-52/R/2G-R21	19" 350cd/m <sup>2</sup> SXGA LED backlighting panel PC with Intel® Core™ i5-520M 2.4G CPU, 2GB DDR3 RAM, 802.11b/g/n wireless module, touch screen, R21
AFL-19i-HM55i7-62/R/2G-R21	19" 350cd/m <sup>2</sup> SXGA LED backlighting panel PC with Intel® Core™ i7-620M 2.66G CPU, 2GB DDR3 RAM, 802.11b/g/n wireless module, touch screen, R21

## ISMM Supported Functions

	Voltage	Fan	Smart Fan	Temperature	WDT	Cash Drawer
AFL-19i-HM55	V	V	V	V	V	

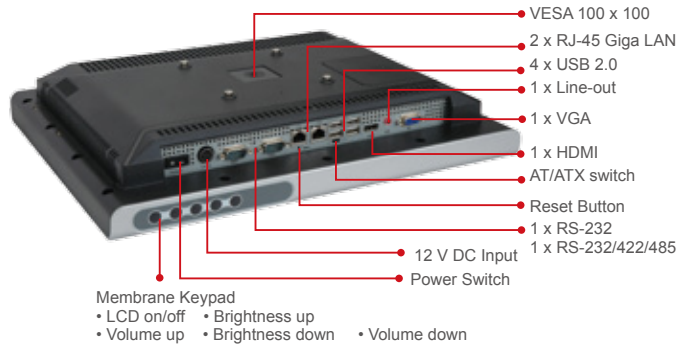
## Packing List

Item	Part Number	Q'ty	Specification
Screw Pack	44013-030041-RS	4	M3;5mm
Power Adpater	63040-010096-100-RS	1	90~264V AC; 12V DC; 96W (Meet PSE)
Power Cord	32000-000002-RS	1	1750mm; European Standard
Utility CD	7B000-000087-RS	1	
Touch Pen	43125-0002C0-00-RS	1	
One Key Recovery CD		1	

## Options

Model	AFL-19i-HM55
Panel Mounting Kit	AFLPK-19B
Wall Mounting Kit	AFLWK-19B
Arm	ARM-11-RS / ARM-31-RS
Stand	STAND-A19-RS / STAND-A21-R10 / STAND-210-R11
OS: Win XPE	AFLSD-15-HM55-2G-XPE-R21 (without storage)
OS: Win 7 Embedded	AFLSD-15-HM55-4G-WES7E-R21 (without storage)
Magnetic Stripe Reader	AFLP-19MSR-U
DC 12V Input UPS	AUPS-B10-R10 (VESA 100, DC 12V input, 12V output 100W UPS module with 3800mAh)
DC 9~36V Input UPS	AUPS-B20-R10 (VESA 100, DC 9~36V input, 12V output 100W UPS module with 3800mAh)

## Fully Integrated I/O



## Dimensions (Unit: mm)

