

Industrial Computer Chassis

As a leading hardware provider in embedded SBC, IEC offers complete industrial computer chassis from ATX/microATX/Mini-ITX support chassis to 1U-7U chassis to support different embedded single board computers, and provides flexibility and scalability for industrial applications. Customers can choose different platform to integrate and fulfil different demanding application and vertical application.

1. SBC Embedded System



Model Name	ECN-380A Series	ECN-360A Series	ECW-281B Series
MB Model No.	NANO Series (EPIC SBC)*	NANO Series (EPIC SBC)*	WAFER Series (3.5" SBC)*

*Please refer to the ECN & ECW datasheets for the NANO & WAFER support list.

2. Embedded Chassis Series



Model Name	EBC-3220	EBC-3200	EBC-3100 / EBC-3000
MB Model No.	KINO Series (Mini-ITX)*	KINO Series (Mini-ITX)*	KINO Series (Mini-ITX)*



Model Name	EBC-3300	EBC-2200	EBC-2100	EBC-1100
MB Model No.	tKINO Series (Mini-ITX)	NANO Series (EPIC SBC)*	NANO Series (EPIC SBC)*	WAFER Series (3.5" SBC)

*Please refer to the EBC datasheets for the support list.

3. Industrial Computer Chassis



Model Name	RACK-1150G 1U	RACK-220G 2U 6-slot	RACK-360 4U 14-slot
MB Model No.	Full-size CPU card	Full-size CPU card microATX, Mini-ITX	Full-size CPU card ATX, microATX, Mini-ITX



Model Name	ECA-300	ECA-200	ECA-100
MB Model No.	ATX/mATX	mATX	ATX/mATX



Model Name	PAC-125G 10-slot	PAC-700G 7-slot	PAC-53GH 3-slot
MB Model No.	Full-size CPU card	Half-size CPU card	Half-size CPU card

SBC Embedded System



Model Name		ECN-380-QM87	ECN-360A-ULT3	ECN-360A-HM65	ECN-360A-D2550
Chassis	Color	Silver	Black	Black	Black
	Dimensions (WxDxH) (mm)	265 x 134 x 56.7	255 x 130 x 75	255 x 130 x 63	255 x 130 x 63
	System Fan	Fanless	Fanless	Fanless	Fanless
	Chassis Construction	Aluminum alloy with heavy duty metal	SECC	SECC	SECC
Motherboard	Motherboard Model	NANO-QM871-i1	NANO-ULT3	NANO-HM651-847E	NANO-CV-D25502
	SBC Size (mm)	EPIC (165 x 115)	EPIC, 165 x 115	EPIC (165 x 115)	EPIC (165 x 115)
	CPU	Intel® Core™ i5-4400E 2.7 GHz Intel® Celeron® 2000E 2.2 GHz	Intel® Core™ i5-6300U Intel® Celeron® 3855U	Intel® Celeron® 847E dual-core 1.1 GHz	Intel® Atom™ D2550 dual-core 1.86GHz
	Chipset	Intel® QM87	N/A	Intel® HM65	Intel® NM10
	System Memory	One 204-pin DDR3 4GB SO-DIMM pre-installed (system max: 8GB)	2 x 260-pin 2133/1866 MHz dual-channel DDR4 SO-DIMMs support up to 32GB Pre-install 4GB DDR4	2 x 204-pin DDR3 SDRAM SO-DIMM (system max: 8 GB) Pre-installed 4 GB DDR3 memory	1 x 204-pin DDR3 SDRAM SO-DIMM (system max: 4 GB) Pre-installed 2 GB DDR3 memory
IPMI	iRIS Solution	1 x iRIS-1010	N/A	N/A	N/A
Storage	Hard Drive	2 x 2.5" SATA 6Gb/s HDD/SSD bay	2 x 2.5" SATA HDD bay (No RAID support)	1 x 2.5" SATA HDD bay	1 x 2.5" SATA HDD bay
	CF Card/CFast	N/A	N/A	N/A	N/A
I/O Interfaces	USB 3.0	2	4	2	0
	USB 2.0	4	N/A	2	6
	Ethernet	2 x RJ-45 LAN1: Intel® I217LM PHY with Intel® AMT 9.0 support LAN2: Intel® I210-AT PCIe controller	LAN1: Intel® I219-LM LAN2: Intel® I211-AT	2 x Realtek RTL8111E PCIe GbE controller with ASF 2.0 support	2 x Realtek RTL8111E with ASF 2.0 support
	COM Port	2 x RS-232	1 x RS-232/422/485 2 x RS-232	2 x RS-232 1 x RS-422/485	3 x RS-232 1 x RS-422/485
	Digital I/O	N/A	8-bit digital I/O	8-bit digital I/O	N/A
	Display	2 x HDMI, 1 x VGA	2 x HDMI	1 x VGA, 2 x HDMI	2 x VGA
	Resolution	VGA: Up to 1920x1200@60Hz HDMI: Up to 2500x1600@60Hz	HDMI: up to 4096x2160@24Hz	VGA: Up to 2048 x 1536@75Hz HDMI: Up to 1920 x 1200@60Hz	VGA: Up to 1920 x 1200@60Hz
	Audio	1 x Line-out, 1 x Mic-in	1 x Line-out	1 x Line-out	1 x Line-out
	Wireless	1 x 802.11b/g/n	2 x 802.11b/g/n (optional)	1 x 802.11b/g/n	1 x 802.11b/g/n
Expansions	PCIe Mini	1 x Full-size PCIe Mini (supports mSATA, SATA 6Gb/s signal only) 1 x Half-size PCIe Mini (only for iRIS-1010)	1 x Full-size PCIe Mini card slot (with SIM holder & mSATA support) 1 x Half-size PCIe Mini card slot	1 x Full-size PCIe Mini card slot with mSATA support	1 x Full-size (supports mSATA) 1 x Half-size
Power	Power Input	DC Jack: 12 V DC 3-pin terminal: 9 V~36 V DC	DC 12V (Optional 9~36V) Power 1: DC jack Power 2: Terminal block(for optional 9~36V only)	9 V~36 V DC Power 1: DC Jack Power 2: Terminal block	9 V~36 V DC Power 1: DC Jack Power 2: Terminal block
	Power Consumption	12 V@4.6 A (Intel® mobile Core™ i5-4400E CPU with 4GB 1333MHz DDR3 memory)	12 V@2.4 A (Intel® i5-6300U with 4GB DDR4 memory)	12 V@3.01 A (Intel® Celeron® single core 827E 1.4 GHz CPU with 4 GB DDR3 memory)	12 V@1.59 A (Intel® Atom™ D2550 CPU with 2GB DDR3 memory)
Reliability	Mounting	Wall mount, VESA 100	Wall mount, VESA 100	Wall mount, VESA 100	Wall mount, VESA 100
	Operating Temperature	-20°C ~60°C with air flow (SSD), 10% ~ 95%, non-condensing	-20°C~60°C with air flow (SSD), 5% ~ 95%, non-condensing	-10°C~60°C with air flow (SSD), 5% ~ 95%, non-condensing	-10°C~60°C with air flow (SSD), 5% ~ 95%, non-condensing
	Operating Shock	Half-sine wave shock 5G, 11ms, 3 shocks per axis			Half-sine wave shock 3G, 11ms, 3 shocks per axis
	Operating Vibration	MIL-STD-810F 514.5C-2 (with SSD)	MIL-STD-810F 514.5C-2 (with SSD)	MIL-STD-810F 514.5C-2 (with SSD)	MIL-STD-810F 514.5C-2 (with SSD)
	Weight (Net/Gross)	2.4 kg/4.2 kg	2.2 kg/3 kg	2.2 kg/3 kg	2.2 kg/3 kg

*Systems with hard drive meet MIL-STD-810F 514.5C-1 specifications. SSD/CF systems meet MIL-STD-810F 514.5C-2 specifications.

SBC Embedded System

Preliminary



Model Name	ECW-281BWD-ULT3 ECW-281BWD-ULT4	ECW-281B-BT	ECW-281B-D2550	ECW-281B-D525 (ECW-281B2-D525)	
Chassis	Color	Black	Black	Black	
	Dimensions (WxDxH) (mm)	229 x 132 x 64	229 x 132 x 64	229 x 132 x 64	
	System Fan	Fanless	Fanless	Fanless	
	Chassis Construction	Aluminum alloy with heavy duty metal	Aluminum alloy with heavy duty metal	Aluminum alloy with heavy duty metal	
Motherboard	Motherboard Model	WAFER-ULT3/ULT4	WAFER-BT-1	WAFER-CV-D25501	
	SBC Size (mm)	3.5", 146 x 102	3.5", 146 x 102	3.5", 146 x 102	
	CPU	Kaby Lake: Intel® Core™ dual-core i5-7300U 3.5GHz Skylake: Intel® Core™ dual-core i5-6300U 3.0GHz Intel® Celeron® 3855U dual-core 1.6GHz	Intel® Celeron® J1900 quad-core 2.42GHz	Intel® Atom™ D2550 dual-core 1.86GHz	Intel® Atom™ D525 dual-core 1.8GHz
	Chipset	Intel® Core™ ULT processor	SoC	Intel® NM10	ICH8M
	System Memory	1 x DDR4 2133 MHz SO-DIMM (4GB pre-installed) Optional 4GB on-board DDR4 memory (support up to 8GB by request)	1 x 204-pin 2 GB 1066/1333 MHz single-channel DDR3L SO-DIMM (system max. 4 GB)	2 GB DDR3 204-pin SO-DIMM memory pre-installed	1 GB DDR3 204-pin SO-DIMM memory pre-installed
IPMI	IRIS Solution	N/A	1 x iRIS-1010-R10	N/A	
Storage	Hard Drive	1 x 2.5" SATA HDD bay	1 x 2.5" SATA 3Gb/s HDD bay	1 x 2.5" SATA HDD bay	
	CF Card/CFast	N/A	N/A	N/A	
I/O Interfaces	USB 3.0	4	1	N/A	
	USB 2.0	2	3	4	
	Ethernet	LAN 1: PCIe GbE by Intel® I219 controller LAN 2: PCIe GbE by Intel® I211 controller	LAN 1: PCIe GbE by Intel® I210 controller LAN 2: PCIe GbE by Intel® I211 controller	2 x Realtek RTL8111E PCIe GbE controller	2 x Realtek 8111E PCIe GbE
	COM Port	2 x RS-232/422/485	3 x RS-232 1 x RS-422/485	3 x RS-232 1 x RS-422/485	6 x RS-232 ports for ECW-281B-D525 (COM2: Default RS-232, RS422/485 optional) 5 x RS-232 ports for ECW-281B2-D525
	Digital I/O	8-bit digital I/O (4-bit input, 4-bit output)	8-bit digital I/O (4-bit input, 4-bit output)	8-bit digital I/O (4-bit input, 4-bit output)	N/A
	Display	1 x VGA, 1 x HDMI	1 x VGA	1 x VGA	1 (2) x VGA
	Resolution	VGA :up to 1920x1200 @ 60Hz HDMI: up to 4096x2160 @ 30Hz	VGA: 2560x1600@60Hz	VGA: Up to 1920 x 1200@60Hz	VGA: Up to 2048 x 1536@60Hz (1024x768@60 MHz)
	Audio	N/A	1 x Line out	1 x Line out	1 x Speaker out
Expansions	Wireless	1 x 802.11b/g/n	1 x 802.11b/g/n	1 x 802.11b/g/n	
	PCIe Mini	1 x Full-size PCIe Mini slot (w/ SATA signal, support mSATA) 1 x Full-size PCIe Mini slot (w/ SIM card slot support)	1 x Full-size PCIe Mini card slot (supports mSATA) 1 x Half-size PCIe Mini card (only for iRIS)	1 x Full-size (supports mSATA) 1 x Half-size	1 x PCIe Mini card slot
Power	Power Input	3-pin terminal: 9 V~36 V DC	DC jack: 12 V DC 3-pin terminal: 9 V~36 V DC	DC jack: 12 V DC 3-pin terminal: 9 V~36 V DC	
	Power Consumption	TBD	12V@1.45A (Intel® Celeron® J1900 CPU and one 8 GB 1333 MHz DDR3 memory)	12 V@1.53 A (Intel® Atom™ D2550 CPU with 2 GB DDR3 memory)	12 V@1.79 A (Intel® Atom™ D525 1.8 GHz CPU with 1 GB DDR3 memory)
Reliability	Mounting	Wall mount, VESA 100	Wall mount, VESA 100	DIN-rail, VESA 100, wall mount	
	Operating Temperature	-20°C~60°C, 10% ~ 95%, non-condensing	-20°C~60°C with air flow (SSD), 10% ~ 95%, non-condensing	-10°C~50°C with air flow (SSD), 5% ~ 95%, non-condensing	-20°C ~ 65°C with CompactFlash®/SSD -10°C ~ 50°C with HDD
	Operating Shock	Half sine wave 3G ; 11ms 3axis	Half sine wave 5G, 11ms 3-axis (non-operational)	Half-sine wave shock 3G, 11ms, 3 shocks per axis	
	Operating Vibration	MIL-STD-810F 514.5C-1 (HDD)	MIL-STD-810F 514.5C-1 (HDD)	MIL-STD-810F 514.5C-2 (SSD)	* MIL-STD-810F 514.5C-1 MIL-STD-810F 514.5C-2
Weight (Net/Gross)	TBD	2.1 kg / 3.9 kg	2.1 kg/3.9 kg	2.1 kg/3.9 kg	

*Systems with hard drive meet MIL-STD-810F 514.5C-1 specifications. SSD/CF systems meet MIL-STD-810F 514.5C-2 specifications.

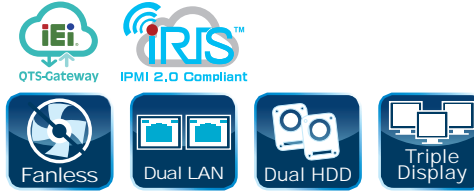
ECN-380-QM87

- Intel® Core™ i5/Celeron® CPU
- Triple Video Outputs



Features

- Intel® Core™ i5/Celeron® CPU
 - » Intel® Core™ i5-4400E 2.7 GHz/Celeron® 2000E 2.2 GHz
- Triple video outputs
 - » 2 x HDMI + VGA
- Two 2.5" SATA 6Gb/s HDD/SSD drive bays



Specifications

Model Name		ECN-380-QM87	
Chassis	Color	Silver	
	Dimensions (WxDxH) (mm)	265 x 134 x 56.7	
	System Fan	Fanless	
	Chassis Construction	Aluminum alloy with heavy duty metal	
Motherboard	Motherboard Model	NANO-QM871-i1	
	SBC Size (mm)	EPIC, 165 x 115	
	CPU	Intel® mobile Core™ i5-4400E with AMT 9.0 support (up to 2.7GHz, dual-core, 3MB cache, TDP=37W) Intel® mobile Celeron® 2000E (up to 2.2GHz, dual-core, 2MB cache, TDP=37W)	
	Chipset	Intel® QM87	
	System Memory	One 204-pin 4GB DDR3 SO-DIMM pre-installed (system max: 8GB)	
IPMI	iRIS Solution	1 x iRIS-1010 (optional)	
Storage	Hard Drive	2 x 2.5" SATA 6Gb/s HDD/SSD drive bay	
	USB 3.0	2	
I/O Interfaces	USB 2.0	4	
	Ethernet	2 x RJ-45 LAN1: Intel® I217LM PHY with Intel® AMT 9.0 support LAN2: Intel® I210-AT PCIe controller	
	COM Port	2 x RS-232	
	Display	2 x HDMI, 1 x VGA	
	Resolution	VGA: Up to 1920 x 1200@60Hz HDMI: Up to 2500 x 1600@60Hz	
	Audio	1 x Line-out, 1 x Mic-in	
	Wireless	1 x 802.11b/g/n (optional)	
	Expansions	PCIe Mini	1 x Full-size PCIe Mini (supports mSATA, SATA 6Gb/s signal only)* 1 x Half-size PCIe Mini (only for iRIS-1010)
		Power	Power Input
Power Consumption	12 V@4.6 A (Intel® mobile Core™ i5-4400E with 4GB 1333MHz DDR3 memory)		
Reliability	Mounting	Wall mount, VESA 100	
	Operating Temperature	-20°C ~60°C with air flow (SSD), 10% ~ 95%, non-condensing	
	Storage Temperature	-30°C ~70°C with air flow (SSD), 10% ~ 95%, non-condensing	
	Operating Shock	Half-sine wave shock 5G, 11ms, 3 shocks per axis	
	Operating Vibration	MIL-STD-810F 514.5C-2 (with SSD)	
	Weight (Net/Gross)	2.4 kg/4.2 kg	

* ECN-380-QM87i-WD-QGW without Full-size PCIe Mini Card slot expansion

Removable 2.5" SATA HDD/SSD Bay



The ECN-380 series is equipped with two 2.5" SATA HDD bays. One of the HDD bays is removable for easy installation.



Triple Display Outputs



The ECN-380-QM87 contains two HDMI and one VGA. All of the display outputs support high resolution video, which can be applied widely in multi-monitor applications.

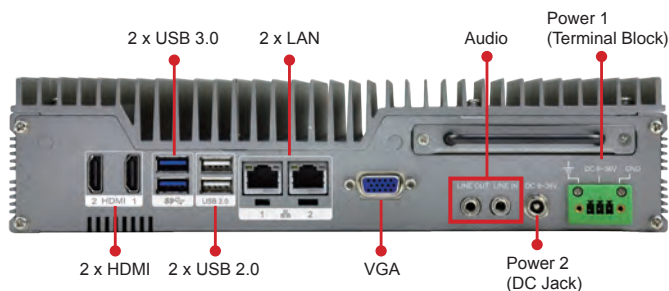


Fully Integrated I/O

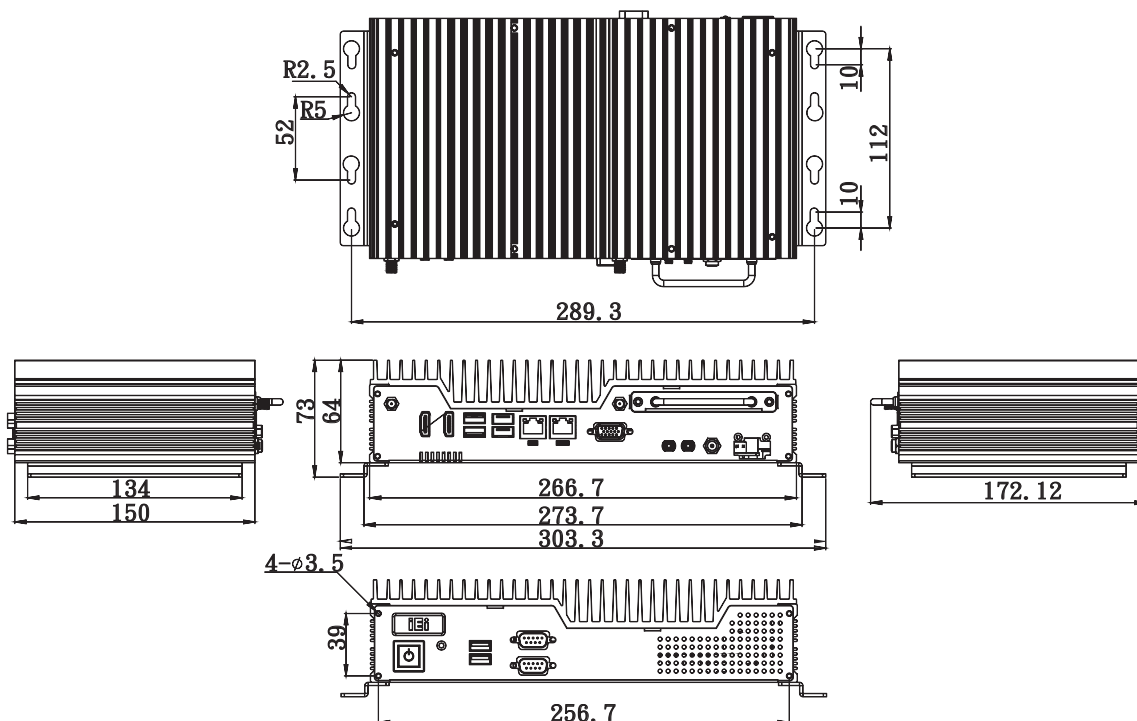
•ECN-380-QM87 Front I/O



•ECN-380-QM87 Rear I/O



Dimensions (Unit: mm)



Ordering Information

Part No.	Description
ECN-380-QM87i-I5/4G-R11	Fanless embedded system with Intel® Core™ i5-4400E 2.7 GHz CPU, TDP 37W, 2 x HDMI, 1 x VGA, 2 x 2.5" SATA HDD bay, 4GB memory pre-installed, iRIS-1010, 12 V DC, RoHS
ECN-380-QM87i-C/4G-R11	Fanless embedded system with Intel® Celeron® 2000E 2.2 GHz CPU, TDP 37W, 2 x HDMI, 1 x VGA, 2 x 2.5" SATA HDD bay, 4GB memory pre-installed, iRIS-1010, 12 V DC, RoHS
ECN-380-QM87i-I5/WD/4G-R11	Fanless embedded system with Intel® Core™ i5-4400E 2.7 GHz CPU, TDP 37W, 2 x HDMI, 1 x VGA, 2 x 2.5" SATA HDD bay, 4GB memory pre-installed, iRIS-1010, 9 V~36V DC, RoHS
ECN-380-QM87i-C/WD/4G-R11	Fanless embedded system with Intel® Celeron® 2000E 2.2 GHz CPU, TDP 37W, 2 x HDMI, 1 x VGA, 2 x 2.5" SATA HDD bay, 4GB memory pre-installed, iRIS-1010, 9 V~36 V DC, RoHS
ECN-380-QM87i-WD-QGW-R10	Fanless embedded system with Intel® Core™ i5-4400E 2.7 GHz, TDP 37W, 2 x HDMI, 1 x VGA, 2 x 2.5" SATA HDD bay, 8GB memory pre-installed, iRIS-1010, with QTS-gateway, 9 V~36V DC, RoHS

Options

Part No.	Description
iRIS-1010-R10	IPMI 2.0 adapter card with AST1010 BMC chip (W/O KVM over IP function) for PCIe Mini socket interface
ECN380VK-100-R10	VESA 100 mount kit for ECN-380
ECN-380-QM87i-WES7E-R10	OS image with Windows Embedded Standard 7 E for ECN-380-QM87i Series, WES7E license label, with DVD ROM

Packing List

1 x Power cord	1 x Chassis screw set	1 x Utility CD
1 x Power adapter (with PSE/ErP certified)	1 x Wall mount bracket	1 x One Key Recovery CD

ECN-360A-ULT3

Fanless Embedded System with Intel® Solution

New



Features

- On-board CPU
 - » i5-6300U dual-core up to 3.0GHz
 - » 3855U dual-core up to 1.6GHz
- Two 2.5" SATA 6Gb/s HDD/SSD drive bay
- Operating temperature: -20°C ~ 60 °C
- Two flexible E-Window for modularized expansion I/O

E-Window



Specifications

Model Name	ECN-360A-ULT3	
Chassis	Color	Black
	Dimensions (WxDxH) (mm)	255 x 130 x 75
	System Fan	Fanless
	Chassis Construction	SECC
Motherboard	Motherboard Model	NANO-ULT3
	SBC Size (mm)	EPIC, 165 x 115
	Processor	Intel® Core™ i5-6300U Intel® Celeron® 3855U
	System Memory	2 x 260-pin 2133/1866 MHz dual-channel DDR4 SO-DIMMs support up to 32GB Pre-install 4GB DDR4
Storage	Hard Drive	2 x 2.5" SATA HDD bay(No RAID support)
I/O Interfaces	USB 3.0	4
	Ethernet	LAN1: Intel® I219-LM LAN2: Intel® I211-AT
	COM Port	1 x RS-232/422/485 2 x RS-232
	Digital I/O	8-bit digital I/O
	Display	2 x HDMI
	Resolution	HDMI: up to 4096x2160@24Hz
	Audio	1 x Line-out
	Wireless	2 x 802.11b/g/n (optional)
Expansions	PCIe Mini	1 x Full-size PCIe Mini card slot (with SIM holder & mSATA support) 1 x Half-size PCIe Mini card slot
	Power	DC 12V (Optional 9~36V) Power 1: DC jack Power 2: Terminal block(for optional 9~36V only)
Reliability	Power Input	DC 12V (Optional 9~36V) Power 1: DC jack Power 2: Terminal block(for optional 9~36V only)
	Power Consumption	12 V@2.4 A (Intel® i5-6300U with 4GB DDR4 memory)
	Mounting	Wall mount, VESA 100
	Operating Temperature	-20°C~60°C with air flow (SSD), 5% ~ 95%, non-condensing
	Operating Shock	Half-sine wave shock 5G, 11ms, 3 shocks per axis
Operating Vibration	MIL-STD-810F 514.5C-2 (SSD)	
Weight (Net/Gross)		2.2 kg/3 kg

*3855U belongs to Skylake ULT Base series CPU, PCIe signal support only PCIe Gen 2

Friendly to Use

Easy for installation

- Flexible I/O function for expansion requirement
- Easy assembly and integration changing with IEI E-window tool kit



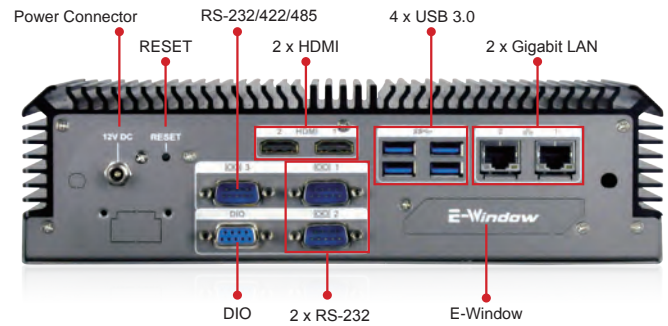
E-Window

Fully Integrated I/O

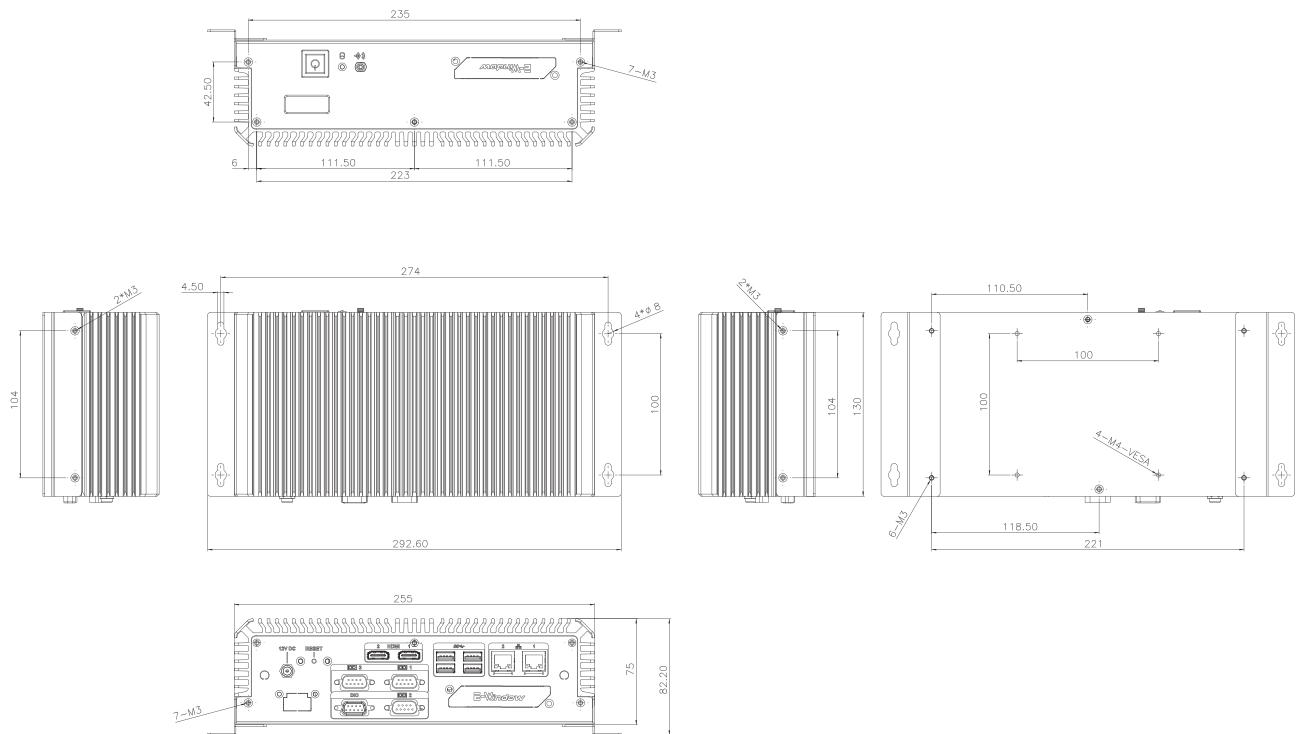
Front view



Rear view



Dimensions (Unit: mm)



Ordering Information

Part No.	Description
ECN-360A-ULT3-i5/4G-R10	Fanless System with Intel® Core™ i5-6300U up to 3.0GHz , TDP 15W, 2 x GbE LAN port , 2 x HDMI, 2 x 2.5" SATA HDD bay, 4GB memory pre-installed, 12V DC, RoHS
ECN-360A-ULT3-CE/4G-R10	Fanless System with Intel® Celeron® 3855U up to 3.0GHz/1.6GHz , TDP 15W, 2 x GbE LAN port , 2 x HDMI, 2 x 2.5" SATA HDD bay, 4GB memory pre-installed, 12V DC, RoHS
ECN-360A-ULT3-i5/WD/4G-R10**	Fanless System with Intel® Core™ i5-6300U up to 3.0GHz , TDP 15W, 2 x GbE LAN port , 2 x HDMI, 2 x 2.5" SATA HDD bay, 4GB memory pre-installed, 9~36V DC, RoHS
ECN-360A-ULT3-CE/WD/4G-R10**	Fanless System with Intel® Celeron® 3855U up to 1.6GHz , TDP 15W, 2 x GbE LAN port , 2 x HDMI, 2 x 2.5" SATA HDD bay, 4GB memory pre-installed, 9~36V DC, RoHS
FSP060-DIBAN2	12V 60W AC/DC Adapter
E-MPCIE-LAN03-R10	PCIe mini card supports 1-port GbE with REALTEK RTL8111E controller, with PMS 194C I/O bracket and 150 mm cable
E-MPCIE-DLAN03-R10	PCIe mini card supports 2-port GbE with Intel® I211 controller, with PMS 194C I/O bracket and 150mm cable

**By order production, MOQ: 50

Packing List

1 x Screw set	1 x Utility CD	1 x Wall mount bracket	1 x One Key Recovery CD
---------------	----------------	------------------------	-------------------------

ECN-360A-^{HM65} D2550

Fanless Embedded System with Intel® Solution



Features

- **On-board CPU**
 - » ECN-360A-HM65: Intel® Celeron® 847E dual-core 1.1 GHz
 - » ECN-360A-D2550: Intel® Atom™ D2550 dual-core 1.86 GHz
- **Rich video output solution**
 - » ECN-360A-HM65: 2 x HDMI + 1 x VGA
 - » ECN-360A-D2550: 2 x VGA
- **Ruggedized embedded computer**
 - » Supports -10°C~60°C (w/ SSD, air flow)



Specifications

Model Name		ECN-360A-HM65	ECN-360A-D2550
Chassis	Color	Black	Black
	Dimensions (WxDxH) (mm)	255 x 130 x 63	255 x 130 x 63
	System Fan	Fanless	Fanless
	Chassis Construction	SECC	SECC
Motherboard	Motherboard Model	NANO-HM651-847E	NANO-CV-D25502
	SBC Size (mm)	EPIC, 165 x 115	EPIC, 165 x 115
	CPU	Intel® Celeron® 847E dual-core 1.1 GHz	Intel® Atom™ dual-core D2550 1.86GHz
	Chipset	Intel® HM65	Intel® NM10
	System Memory	2 x 204-pin DDR3 SDRAM SO-DIMM (system max: 8 GB) Pre-installed 4 GB DDR3 memory	1 x 204-pin DDR3 SDRAM SO-DIMM (system max: 4 GB) Pre-installed 2 GB DDR3 memory
Storage	Hard Drive	1 x 2.5" SATA HDD bay	1 x 2.5" SATA HDD bay
I/O Interfaces	USB 3.0	2	0
	USB 2.0	2	6
	Ethernet	2 x Realtek RTL8111E with ASF 2.0 support	2 x Realtek RTL8111E with ASF 2.0 support
	COM Port	2 x RS-232 1 x RS-422/485	3 x RS-232 1 x RS-422/485
	Digital I/O	8-bit digital I/O	N/A
	Display	1 x VGA, 2 x HDMI	2 x VGA
	Resolution	VGA: Up to 2048 x 1536@75Hz HDMI: Up to 1920 x 1200@60Hz	VGA: Up to 1920 x 1200@60Hz
	Audio	1 x Line-out	1 x Line-out
	Wireless	1 x 802.11b/g/n (optional)	1 x 802.11b/g/n (optional)
Expansions	PCIe Mini	1 x Full-size (supports mSATA) 1 x Half-size	1 x Full-size (supports mSATA) 1 x Half-size
Power	Power Input	9 V~36 V DC Power 1: DC jack Power 2: Terminal block	9 V~36 V DC Power 1: DC jack Power 2: Terminal block
	Power Consumption	12 V@3.01 A (Intel® Celeron® dual-core 847E 1.1 GHz CPU with 4 GB DDR3 memory)	12V@1.59A (Intel® dual-core D2550 CPU with 4 GB 1333 MHz DDR3 memory)
Reliability	Mounting	Wall mount, VESA 100	Wall mount, VESA 100
	Operating Temperature	-10°C~60°C with air flow (SSD), 5% ~ 95%, non-condensing	-10°C~60°C with air flow (SSD), 5% ~ 95%, non-condensing
	Operating Shock	Half-sine wave shock 3G, 11ms, 3 shocks per axis	Half-sine wave shock 3G, 11ms, 3 shocks per axis
	Operating Vibration	MIL-STD-810F 514.5C-2 (SSD)	MIL-STD-810F 514.5C-2 (SSD)
	Weight (Net/Gross)	2.2 kg/3 kg	2.2 kg/3 kg



Friendly to Use



Easy for installation

- Hinge design for rear cover
- Easy assembly of storage/memory/PCIe Mini card

Wide range of DC power input

- ECN-360A-HM65: 9 V~36 V DC
- ECN-360A-D2550: 9 V~28 V DC

Fully Integrated I/O

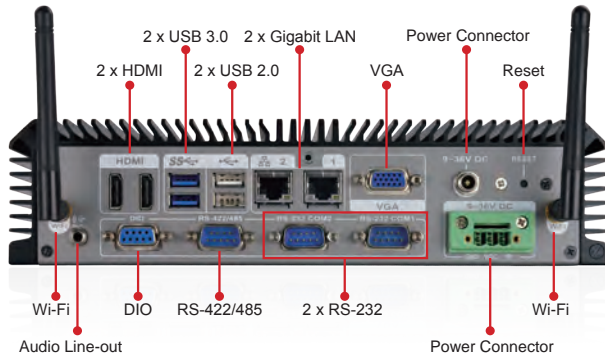
●ECN-360A-HM65 Front I/O



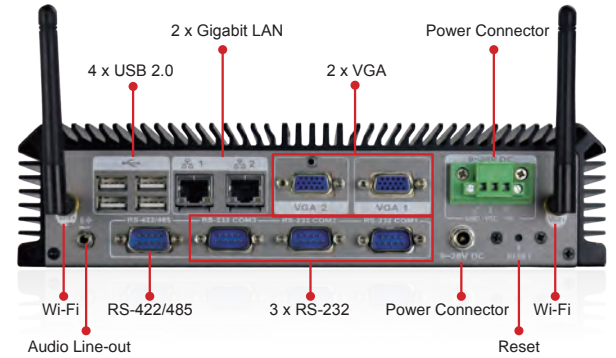
●ECN-360A-D2550 Front I/O



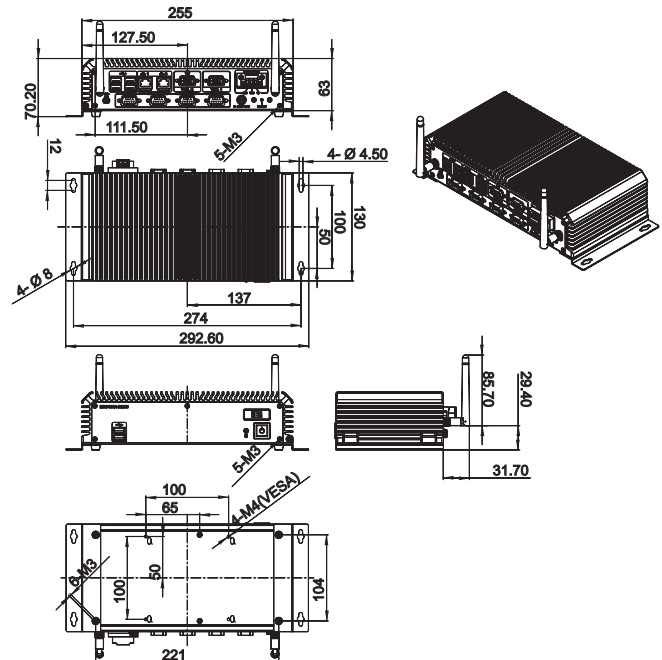
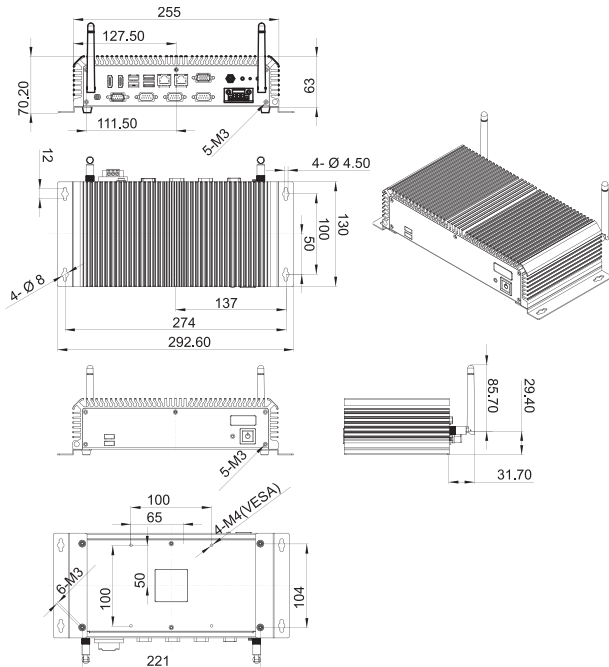
●ECN-360A-HM65 Rear I/O



●ECN-360A-D2550 Rear I/O



Dimensions (Unit: mm)



Ordering Information

Part No.	Description
ECN-360A-HM65/4G-R11	Embedded system with NANO-HM651-847E, Intel® Celeron® 847E dual-core 1.1 GHz CPU, with 2 x HDMI, 1 x VGA, 2 x RS-232, 1 x RS-422/485, 4GB DDR3 SO-DIMM pre-installed, dual Realtek LAN, DIO, 9 V~36 V DC, RoHS
ECN-360A-D2550/2G-R11	Embedded system with NANO-CV-D25502, Intel® Atom™ D2550 dual-core 1.86 GHz CPU, with 2 x VGA, 3 x RS-232, 1 x RS-422/485, 2GB DDR3 SO-DIMM pre-installed, dual Realtek LAN, 9 V~28 V DC, RoHS

Packing List

1 x Power cord	1 x Screw set	1 x Utility CD
1 x Power adapter (with PSE/ErP certified)	1 x Wall mount bracket	1 x One Key Recovery CD

ECW-281BWD-ULT3-ULT4

Fanless Embedded System with Intel® Skylake/Kaby Lake ULT Processor

Preliminary



Features

- Fanless system with Intel® Skylake/Kaby Lake ULT processor
- Wide range 9 V~36 V DC input support
- Wide operating temperature: -20°C ~ 60°C
- Dual GbE LANs, 6 USB, 2 COM, dual PCIe Mini, SIM card slot
- Optional on-board memory support (4/8GB available)

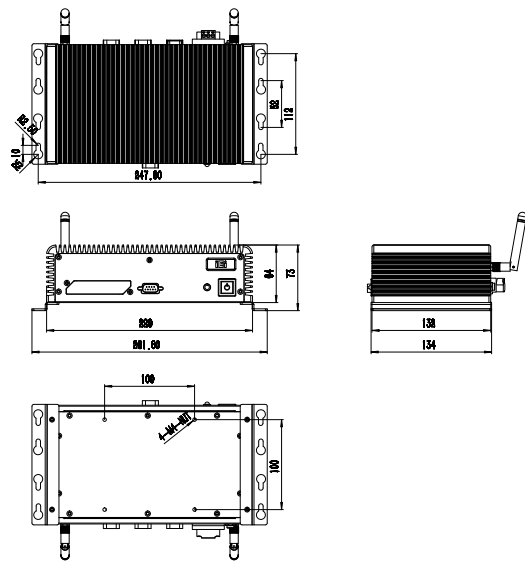
E-Window



Specifications

Model Name		ECW-281BWD-ULT3/ULT4
Chassis	Color	Black
	Dimensions (WxHxD) (mm)	229 x 132 x 64
	Chassis Construction	Aluminum alloy with heavy duty metal
Motherboard	Motherboard Model	WAFER-ULT3/ULT4 (B456)
	CPU	Kaby Lake: Intel® Core™ i5-7300U (up to 3.5GHz, dual-core, 3MB cache, TDP=15W) Skylake: Intel® Core™ i5-6300U (up to 3.0GHz, dual-core, 3MB cache, TDP=15W) Intel® Celeron® processor 3855U (up to 1.6GHz, dual-core, 2MB cache, TDP=15W)
	System Memory	1 x DDR4 2133 MHz SO-DIMM (4GB pre-installed) Optional 4GB on-board DDR4 memory (support up to 8GB by request)
Storage	Hard Drive	1 x 2.5" SATA HDD space
	mSATA	1 (colay with PCIe Mini Slot 2)
I/O Interfaces	USB 3.0	4
	USB 2.0	2
	Ethernet	1 x Intel® I219LM 1 x Intel® I211AT
	COM Port	2 x RS-232/422/485 1 x RS-232/422/485(optional)
	Digital I/O	8-bit digital I/O (4-bit input, 4-bit output)
	Display	1 x VGA 1 x HDMI
	Wireless	802.11b/g/n wireless (2T2R) (optional)
	E-window	1 (optional)
	Expansion	PCIe Mini
Power	Power Input	DC jack & 3-pin terminal block: 9~36V DC
	Consumption	TBD
Reliability	Mounting	Wall mount, VESA 100
	Operating Temperature	-20°C~60°C, 10% ~ 95%, non-condensing
	Storage Temperature	-20°C ~ 60°C
	Operating Shock	Half sine wave 3G ; 11ms 3axis
	Operating Vibration	MIL-STD-810F 514.5C-1 (HDD)
	Weight (Net/Gross)	TBD

Dimensions (Unit: mm)



Ordering Information

Part No.	Description
ECW-281BWD-ULT4-i5-R10	Fanless embedded system with WAFER-ULT4, Intel® Core™ i5-7300U, up to 3.5 GHz processor, two COM, six USB, pre-installed 4GB DDR4 SO-DIMM, 9~36V DC input, RoHS
ECW-281BWD-ULT3-i5-R10	Fanless embedded system with WAFER-ULT3, Intel® Core™ i5-6300U, up to 3 GHz processor, two COM, six USB, pre-installed 4GB DDR4 SO-DIMM, 9~36V DC input, RoHS
ECW-281BWD-ULT3-CE-R10	Fanless embedded system with WAFER-ULT3, Intel® Celeron® 3855U, 1.6GHz processor, two COM, six USB, pre-installed 4GB DDR4 SO-DIMM, 9~36V DC input, RoHS

Options

Part No.	Description
DK-100-R10	VESA 100 to DIN-Rail mounting kit

Packing List

1 x Screw set	1 x Wall mount bracket
1 x Utility CD	1 x One Key Recovery CD

ECW-281B-BT

Fanless Embedded System with Intel® Celeron® J1900 Processor



Features

- Fanless system with Intel® Celeron® J1900 Processor
- Supports four COM ports (three RS-232, one RS-422/485)
- 12V DC and 9 V~36 V DC models available
- Wide operating temperature: -20°C ~ 60°C with SSD

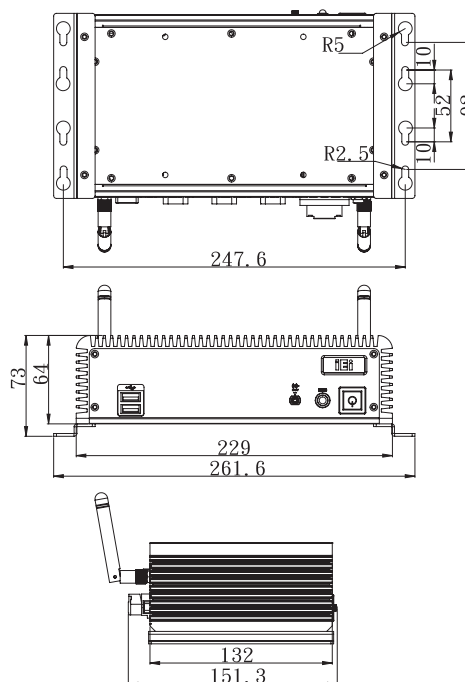


Specifications

Model Name		ECW-281B-BT
Chassis	Color	Black
	Dimensions (WxHxD) (mm)	229 x 132 x 64
	System Fan	Fanless
Motherboard	Chassis Construction	Aluminum alloy with heavy duty metal
	Motherboard Model	WAFER-BT-i1
	SBC Size (mm)	3.5", 146 x 102
	CPU	Intel® Celeron® J1900 processor (quad-core, 2 MB cache, TDP=10W, up to 2.42GHz)
	Chipset	SoC
System Memory	System Memory	1 x 204-pin 1066/1333 MHz single-channel DDR3L SO-DIMM (system max. 8 GB)
	IPMI	iRIS Solution
Storage	Hard Drive	1 x 2.5" SATA 3Gb/s HDD bay
	I/O Interfaces	USB 3.0
USB 2.0		3
Ethernet		LAN 1: PCIe GbE by Intel® I210 controller LAN 2: PCIe GbE by Intel® I211 controller
COM Port		3 x RS-232 1 x RS-422/485
Digital I/O		8-bit digital I/O
Display		1 x VGA
Resolution		VGA: Up to 2560x1600@60Hz
Audio		1 x Line out
Wireless		1 x 802.11b/g/n (optional)
Expansion		PCIe Mini
	Power	Power Input
Consumption		12V@1.45A (with Intel® Celeron® J1900 CPU and one 8 GB 1333 MHz DDR3 memory)
Reliability	Mounting	Wall mount, VESA 100
	Operating Temperature	-20°C~60°C with air flow (SSD), 10% ~ 95%, non-condensing
	Storage Temperature	-20°C ~ 60°C
	Operating Shock	Half sine wave 5G, 11ms 3-axis (non-operational)
	Operating Vibration	MIL-STD-810F 514.5C-1 (HDD)
Weight (Net/Gross)	2.1 kg / 3.9 kg	

*ECW-281BWD-BTi-QGW without Full-size PCIe Mini Card slot expansion

Dimensions (Unit: mm)



Options

Part No.	Description
iRIS-1010-R10	IPMI 2.0 adapter card with AST1010 BMC chip (W/O KVM over IP function) for PCIe Mini socket interface
ECW-281B-BTi-WES7E64-R10	OS Image with Windows® Embedded Standard 7 E 64Bit for ECW-281BTi Series, with DVD-ROM, RoHS, R10
DK-100-R10	VESA 100 to DIN-Rail mounting kit

Packing List

1 x Power cord only for 12V	1 x Wall mount bracket
1 x 12V 60W power adapter only for 12V	1 x Utility CD
1 x Screw set	1 x One Key Recovery CD

Ordering Information

Part No.	Description
12V DC Input	ECW-281B-BTi-J1/2GB-R10
9 V~36 V DC Input	ECW-281BWD-BTi-J1/2GB-R10
ECW-281BWD-BTi-QGW-R10	

Fanless embedded system with WAFER-BTi, Intel® Celeron® J1900 2.42 GHz processor, four serial ports, pre-installed 2GB DDR3L SO-DIMM, 12 V DC-in, 60 W power adapter, black, RoHS

Fanless embedded system with WAFER-BTi, Intel® Celeron® J1900 2.42 GHz processor, four serial ports, pre-installed 2GB DDR3L SO-DIMM, 9 V ~ 36 V DC-in, black, RoHS

Fanless embedded system with WAFER-BTi-R10, with Intel® Celeron J1900 2GHz, 4 serial ports, with 4GB DDR3L pre-installed SO-DIMM memory, with QTS-Gateway, 9~36VDC in, w/o adapter, black, RoHS

ECW-281B-D2550

Fanless Embedded System with Intel® Atom™ Dual-core D2550 CPU



Features

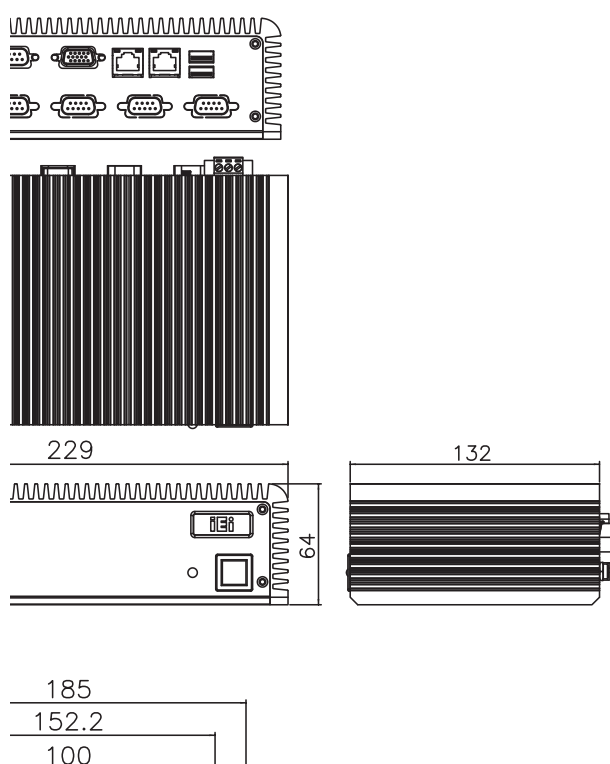
- Fanless system with Intel® Atom™ D2550 dual-core 1.86 GHz CPU
- Supports 4 COM ports (3 x RS-232, 1 x RS-422/485)
- 2 PCIe Mini slots (1 x Full-size, 1 x Half-size)
- 12V DC and 9 V~36 V DC model available
- 2T2R 802.11b/g/n wireless model available



Specifications

Model Name		ECW-281B-D2550
Chassis	Color	Black
	Dimensions (WxDxH) (mm)	229 x 132 x 64
	System Fan	Fanless
	Chassis Construction	Aluminum alloy with heavy duty metal
Motherboard	Motherboard Model	WAFER-CV-D25501
	SBC Size (mm)	3.5", 146 x 102
	CPU	Intel® Atom™ dual-core D2550 1.86GHz
	Chipset	Intel® NM10
	System Memory	2GB DDR3 204-pin SO-DIMM memory pre-installed
Storage	Hard Drive	1 x 2.5" SATA HDD bay
I/O Interfaces	USB 2.0	4
	Ethernet	2 x Realtek RTL8111E PCIe GbE controller
	COM Port	3 x RS-232 1 x RS-422/485
	Digital I/O	8-bit digital I/O
	Display	1 x VGA
	Resolution	VGA: Up to 1920 x 1200@60Hz
	Audio	1 x Line-out
	Wireless	1 x 802.11b/g/n (optional)
Expansions	PCIe Mini	1 x Full-size (supports mSATA) 1 x Half-size
Power	Power Input	DC jack: 12 V DC 3-pin terminal: 9 V~36 V DC
	Power Consumption	12 V@1.53 A (Intel® Atom™ D2550 CPU with 2 GB DDR3 memory)
Reliability	Mounting	DIN-rail, VESA 100, wall mount
	Operating Temperature	-10°C~50°C with air flow (SSD), 5% ~ 95%, non-condensing
	Operating Shock	Half-sine wave shock 3G, 11ms, 3 shocks per axis
	Operating Vibration	MIL-STD-810F 514.5C-2 (SSD)
	Weight (Net/Gross)	2.1 kg/3.9 kg

Dimensions (Unit: mm)



Ordering Information

Part No.	Description
12V DC Input ECW-281B-R11/D2550/2GB	Fanless embedded system with WAFER-CV-D25501, with dual-core Intel® Atom™ D2550 1.86GHz CPU, 4 serial ports, with 2 GB DDR3 pre-installed SO-DIMM memory, 12 V DC in, 60W power adapter, black, RoHS
9 V~36 V DC Input ECW-281BWD-R10/D2550/2GB	Fanless embedded system with WAFER-CV-D25501, with dual-core Intel® Atom™ D2550 1.86GHz CPU, 4 serial ports, with 2 GB DDR3 pre-installed SO-DIMM memory, 9 V~36 V DC in, 60W power adapter, black, RoHS

Packing List

1 x Power cord only for 12V	1 x HDD thermal pad
1 x 12V 60W power adapter only for 12V	1 x Utility CD
1 x Screw set	1 x One Key Recovery CD
1 x Wall mount bracket	

ECW-281B/B2 Series

Fanless Embedded System with Intel® Atom™ Dual-core D525 CPU



Features

- Fanless system with
 - » 1.8 GHz Intel® Atom™ D525 dual-core CPU
- Supports four USB 2.0 ports and six COM ports
- Dual GbE LAN ideal for high-speed network applications
- Supports CompactFlash®, 2.5" SATA HDD and SSD storage devices
- 12 V DC and 9 V DC - 36 V DC power input models available
- Supports dual VGA display (B2 model only)



Specifications

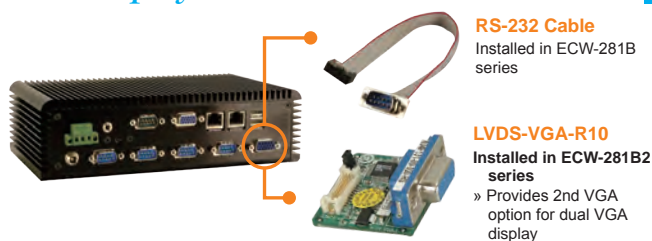
Model Name		ECW-281B-D525 (ECW-281B2-D525)
Chassis	Color	Black
	Dimensions (WxDxH) (mm)	229 x 132 x 64
	System Fan	Fanless
Motherboard	Chassis Construction	Aluminum alloy with heavy duty metal
	Motherboard Model	WAFER-PV-D5252
	SBC Size (mm)	3.5", 146 x 102
Storage	CPU	Intel® Atom™ D525 dual-core 1.8GHz/1MB L2 cache
	Chipset	Intel® ICH8M
	System Memory	1 GB DDR3 204-pin SO-DIMM memory pre-installed
Expansion	Hard Drive	1 x 2.5" SATA HDD space
	CF Card/CFast	1
I/O Interfaces	USB 2.0	4
	Ethernet	2 x Realtek 8111E PCIe GbE
	COM Port	6 x RS-232 ports for ECW-281B-D525 (COM2: Default RS-232, RS422/485 optional) 5 x RS-232 ports for ECW-281B2-D525
	Display	1 (2) x VGA
	Resolution	VGA: Up to 2048 x 1536@60Hz (VGA: Up to 1024 x 768@60MHz)
	Audio	1 x Speaker out
Power	Power Input	DC jack: 12 V DC 3-pin terminal: 9 V~36 V DC
	Power Consumption	12V@1.79A (Intel® Atom™ D525 1.8GHz CPU with 1GB DDR3 memory)
Reliability	Mounting	DIN mount, VESA 75 mount, wall mount
	Operating Temperature	-20°C ~ 65°C with CompactFlash®/SSD -10°C ~ 50°C with HDD
	Operating Shock	Half-sine wave 3G, 11ms 3 shocks per axis
	Operating Vibration	* MIL-STD-810F 514.5C-1 MIL-STD-810F 514.5C-2
	Weight (Net/ Gross)	2.1 kg/3.9 kg

*Systems with hard drive meet MIL-STD-810F 514.5C-1 specifications. SSD/CF systems meet MIL-STD-810F 514.5C-2 specifications.

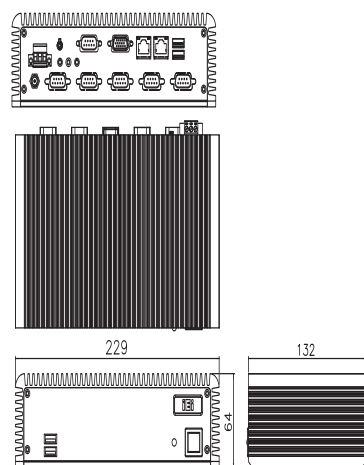
Spec Comparison Table

Model	ECW-281B	ECW-281B2	ECW-281BWD	ECW-281B2WD
Main board	WAFER-PV-D5252	WAFER-PV-D5252	WAFER-PV-D5252	WAFER-PV-D5252
COM port	6	5	6	5
VGA display	1	2	1	2
Power input	12 V DC in	12 V DC in	9 V~36 V DC in	9 V~36 V DC in
Adapter	60W	60W	N/A	N/A

Dual Display



Dimensions (Unit: mm)



Packing List

- 1 x Power cord only for 12V
- 1 x Screw set
- 1 x 12V 60W power adapter (with PSE/ErP certified, only for 12V)
- 1 x Wall mount bracket
- 1 x HDD thermal pad
- 1 x Utility CD
- 1 x One Key Recovery CD



DK-84MB

Ordering Information

Part No.	Description
12 V DC Input	ECW-281B-R12/ D525/1GB Fanless embedded system with WAFER-PV-D5252, with dual-core Intel® Atom™ D525 1.8GHz CPU, with 6 serial ports, with 1 GB DDR3 memory, 12 V DC in, 60W power adapter with ErP and PSE certificates, black, RoHS
	ECW-281B2-R12/ D525/1GB Fanless embedded system with WAFER-PV-D5252, with dual-core Intel® Atom™ D525 1.8GHz CPU, with dual VGA display and 5 serial ports, with 1 GB DDR3 memory, 12 V DC in, 60W power adapter with ErP and PSE certificates, black, RoHS
9 V ~36 V DC Input	ECW-281BWD-R11/ D525/1GB Fanless embedded system with WAFER-PV-D5252, with dual-core Intel® Atom™ D525 1.8GHz CPU, with 6 serial ports, with 1 GB DDR3 memory, 9 V~36 V DC in, w/o power adapter, black, RoHS
	ECW-281B2WD-R11/ D525/1GB Fanless embedded system with WAFER-PV-D5252, with dual-core Intel® Atom™ D525 1.8GHz CPU, with dual VGA display and 5 serial ports, with 1 GB DDR3 memory, 9 V~36 V DC in, w/o power adapter, black, RoHS
32205-003200-100-RS	Flat cable, RS-232/422/485, RS-422/485 cable, 2, 100mm, 28AWG, (A) D-sub 9-pin male, (B) DU pont 2x7P P=2.0, female, IDIOT-PROOF, 32200-074600-RS substitute, hwalong, RoHS

Embedded Chassis Series

New


Model Name	EBC-3300	EBC-3220	EBC-3200	EBC-3100
Platform	Case only	Case only	Case only	Case only
Chassis	Color	Black	Black	Black
	Dimensions (WxDxH) (mm)	190 x 190 x 43	190 x 180 x 55	260 x 180 x 55
	System Fan	--	1 x 4 cm	2 x 4 cm
	Chassis Construction	Heavy duty metal	Heavy duty metal	Heavy duty metal
Motherboard	Motherboard Model	EBC-3300-ULT3-R10: tKINO-ULT3 EBC-3300-AL-R10: tKINO-AL EBC-3300-BW-R10: tKINO-BW	tKINO-BW KINO-DQM170 KINO-DH810 KINO-DBT eKINO-BT KINO-DA750-i2 KINO-KBN/SE-i2 KINO-DQM871-i1 KINO-DH610 KINO-QM770 KINO-QM670 KINO-QM57A KINO-HM551 KINO-CV/D2550/N26001 KINO-PV-D4252/D5252	tKINO-BW KINO-DQM170 KINO-DH810 KINO-DBT eKINO-BT KINO-DA750-i2 KINO-KBN/SE-i2 KINO-DQM871-i1 KINO-DH610 KINO-QM770 KINO-QM670 KINO-QM57A KINO-HM551 KINO-CV/D2550/N26001 KINO-PV-D4252/D5252
	SBC Size (mm)	Mini-ITX (170 x 170)	Mini-ITX (170 x 170)	Mini-ITX (170 x 170)
	Hard Drive	1 x 2.5" SATA HDD drive bay	1 x 2.5" SATA HDD drive bay	2 x 2.5" SATA HDD space
Storage	CF Card/CFast	N/A	N/A	Refer to optional module
	SD Card	Refer to SBC	Refer to SBC	Refer to SBC
	PS2 (KB/MS)	N/A	N/A	N/A
I/O Interfaces	USB 3.0	Refer to SBC	Refer to SBC	Refer to SBC
	USB 2.0	Refer to SBC	Refer to SBC	Refer to SBC
	Ethernet	2	2	2
	COM Port	Refer to SBC	Refer to SBC	Refer to SBC
	LPT	Refer to SBC	Refer to SBC	Refer to SBC
	Display	Refer to SBC	Refer to SBC	Refer to SBC
	Resolution	Refer to SBC	Refer to SBC	Refer to SBC
	Audio	Refer to SBC	Refer to SBC	Refer to SBC
Expansions	Wireless	Refer to SBC	Refer to SBC	Refer to SBC
	PCI	N/A	N/A	1 x low profile expansion slot*
	PCIe	N/A	N/A	1 x low profile expansion slot*
	PCIe Mini	Refer to SBC	Refer to SBC	Refer to SBC
Power	Others	1 x E-Window	N/A	N/A
	Power Input	12V DC	12V DC	12V DC in
Reliability	Power Supply	12V DC	12V DC	12V DC in
	Mounting	VESA 100, wall mount	VESA 100, wall mount	Desktop, wall mount
	Operating Temperature	-10°C~50°C	-10°C~50°C	0°C ~ 50°C
	Operating Shock	Half-sine wave 3G, 11ms 3 shocks per axis		
	Operating Vibration	MIL-STD-810F 514.5C-1		
Weight (Net/Gross)	1 kg/2 kg	1 kg/2 kg	1.1 kg/2 kg	2.5 kg/3.9 kg

* Optional items

** Systems with hard drive meet MIL-STD-810F 514.5C-1 specifications. SSD/CF systems meet MIL-STD-810F 514.5C-1 specifications.

Embedded Chassis Series

New



Model Name	EBC-3000	EBC-2200	EBC-2100	EBC-1100	
Platform	Case only	Case only	Case only	Case only	
Chassis	Color	Black	Black	Cool gray	
	Dimensions (WxDxH) (mm)	280 x 230 x 88	215 x 150 x 55	262 x 134 x 56	
	System Fan	1 x 6 cm	1 x 4 cm	1 x 4 cm*	Refer to MB
	Chassis Construction	Heavy duty metal with plastic front panel	Aluminum alloy with heavy duty metal		
Motherboard	Motherboard Model	KINO-AQ170 KINO-ABT KINO-AA750-i2 KINO-AQ870 KINO-AQ670 KINO-AH611 KINO-AH612	NANO-BT-i1 NANO-BTW2 NANO-QM871	NANO-LX	WAFER-BT-E38001W2
	SBC Size (mm)	Mini-ITX (170 x 170)	EPIC (165 x 115)	EPIC (165 x 115)	3.5" SBC (146x102)
	Hard Drive	1 x 3.5" SATA HDD space	1 x 2.5" SATA 6Gb/s HDD/SSD drive bay	1 x 2.5" SATA HDD space	1 x 2.5" SATA HDD space
Storage	CF Card/CFast	Refer to SBC	N/A	1	N/A
	SD Card	Refer to SBC	N/A	N/A	N/A
	PS2 (KB/MS)	Refer to SBC	Refer to SBC	1	Refer to SBC
I/O Interfaces	USB 3.0	Refer to SBC	Refer to SBC	N/A	1
	USB 2.0	Refer to SBC	Refer to SBC	4	3
	Ethernet	2	2	1	2
	COM Port	Refer to SBC	Refer to SBC	1+2 RS-232*	1x RS232, 1 x RS-232 & 1 x RS-422/485*
	LPT	Refer to SBC	N/A	*1	N/A
	Display	Refer to SBC	Refer to SBC	1 x VGA	1 x VGA
	Resolution	Refer to SBC	Refer to SBC	N/A	VGA (up to 2560x1600@60Hz)
	Audio	Refer to SBC	1 x Line out, 1 x Mic-in	3 x Audio jack*	1 x Line out, 1 x Mic-in
	Wireless	Refer to SBC	1 x 802.11b/g/n	N/A	802.11b/g/n *
Expansions	PCI	N/A	N/A	N/A	N/A
	PCIe	N/A	N/A	N/A	N/A
	PCIe Mini	Refer to SBC	1 x Full-size PCIe Mini card slot	N/A	3
	Others	N/A	N/A	1 x PCI-104	N/A
Power	Power Input	90~264V AC	12V DC	12V DC in	12V DC in
	Power Supply	ACE-A618A 180W ACE-A627A 270W	12V, 5A	12 V DC in, AT mode only, with 60W power adapter	12V DC in
Reliability	Mounting	Desktop, wall mount	Wall mount, VESA 100	Desktop, wall mount	Wall mount, VESA 75
	Operating Temperature	0°C ~ 50°C	-20°C ~ 60°C	0°C ~ 50°C	-40°C ~ 75°C (refer to MB)
	Operating Shock	Half-sine wave 3G, 11ms 3 shocks per axis	Half-sine wave shock 5G, 11ms, 3 shocks per axis	Half-sine wave 3G, 11ms 3 shocks per axis	Half-sine wave shock 5G, 11ms, 3 shocks per axis
	Operating Vibration	MIL-STD-810F 514.5C-1			MIL-STD-810F 514.5C-1 (with SSD)
	Weight (Net/Gross)	2.5 kg/3.9 kg	1.1kg/2kg	1 kg/3 kg	1.2Kg/2.2Kg

* Optional items

** Systems with hard drive meet MIL-STD-810F 514.5C-1 specifications. SSD/CF systems meet MIL-STD-810F 514.5C-1 specifications.

EBC-3300

Embedded Chassis for IEI thin Mini-ITX SBC

New



Features

- Designs for thin type Mini-ITX SBC with single voltage input
- Total height 42mm for space critical application
- One 2.5" hard drive capacity
- Flexible E-Window tool kit support

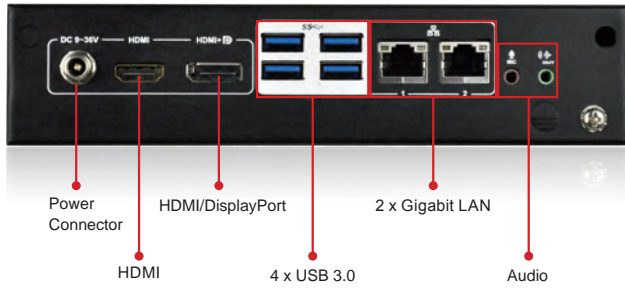


Specifications

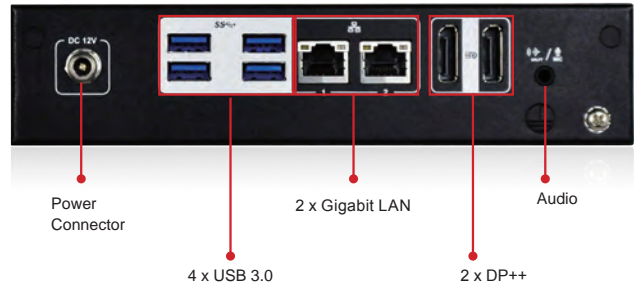
Model Name		EBC-3300-R10		
		EBC-3300-ULT3-R10	EBC-3300-AL-R10	EBC-3300-BW-R10
Platform		Case only	Case only	Case only
Chassis	Color	Black	Black	Black
	Dimension(WxDxH)	190 x 190 x 43	190 x 190 x 43	190 x 190 x 43
	System Fan	--	--	--
	Chassis Construction	Heavy duty metal	Heavy duty metal	Heavy duty metal
Motherboard	Motherboard	tKINO-ULT3	tKINO-AL	tKINO-BW
	SBC Size (mm)	Mini-ITX (170 x 170)	Mini-ITX (170 x 170)	Mini-ITX (170 x 170)
	CPU	Refer to SBC	Refer to SBC	Refer to SBC
	System Memory	2 x DDR4 2133 SO-DIMM (system Max : 8GB)	1 x DDR3L 1333/1066 SO-DIMM (system Max : 8GB)	1 x DDR3L 1333/1066 SO-DIMM (system Max : 8GB)
Storage	Hard Drive	1 x 2.5" SATA 6Gb/s HDD/SSD Bay		
	SD Card	N/A	1	1
	mSATA / M.2	1 (Colay MPCIE2)	1 (M.2 B-key)	1
I/O interfaces	PS2 (KB/MS)	pin header	pin header	pin header
	USB 3.0	4	4	4
	USB 2.0	pin header	pin header	pin header
	Ethernet	2	2	2
	RS-232/422/485	2 (pin header)	2 (pin header)	2 (pin header)
	RS-232	4 (pin header)	4 (pin header)	4 (pin header)
	DIO	8-bit (pin header)	8-bit (pin header)	8-bit (pin header)
	Display	1 x HDMI 1 x DP/HDMI	2 x DP++	1 x VGA 1 x DP/HDMI
	Resolution	1 x HDMI 1.4 (up to 4096x2160@24Hz) 1 x HDMI/DP (up to 4096x2160@24Hz)	2 x DP++ (up to 4096x2160@60Hz)	1 x VGA (up to 1920x1200@60Hz) 1 x HDMI/DP (up to 3840x2160@30Hz)
	Audio	Realtek ALC662 2 x Audio jacks (line-out, mic-in)	Realtek ALC269 1 x Audio jacks (line-out, mic-in)	Realtek ALC662 1 x Audio jacks (line-out)
	Wireless	Refer to SBC	Refer to SBC	Refer to SBC
Expansions	PCIe Mini	2 x Full-size PCIe Mini	1 x Full-size PCIe Mini	1 x Full-size PCIe Mini
	Others	N/A	1 x M.2 B-key (SATA/USB2)	N/A
Power	Power Input	9~36V	12V	9~30V
	Power Consumption	12V@4.68A	12V@2.58A	12V@1.61A
	Others	1 x Power swtich	1 x Power swtich	1 x Power swtich
Reliability	Mounting	VESA 100, wall mount		
	Operating Temperature	-10 ~ 50 °C with air flow (SSD), 10% ~ 95%, non-condensing		
	Storage Temperature	-20°C ~ 60°C		
	Operating Shock	Half-sine wave shock 3G, 11ms, 3 shocks per axis		
	Operation Vibration	MIL-STD-810G 514.5C-1 (with SSD)		
	Weight (Net/Gross)	1 kg/ 2kg		

Fully Integrated I/O

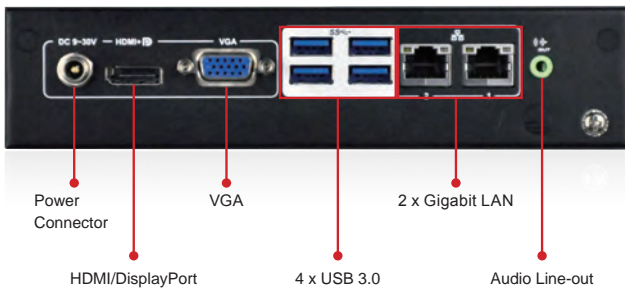
● EBC-3300-ULT3-R10 Rear I/O



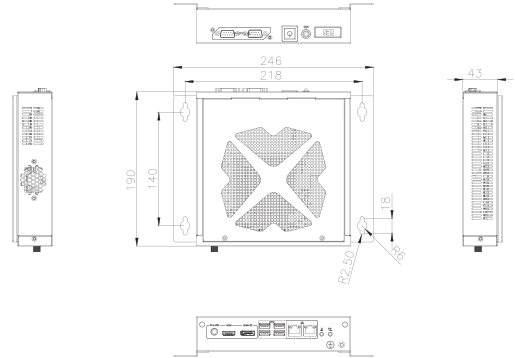
● EBC-3300-AL-R10 Rear I/O



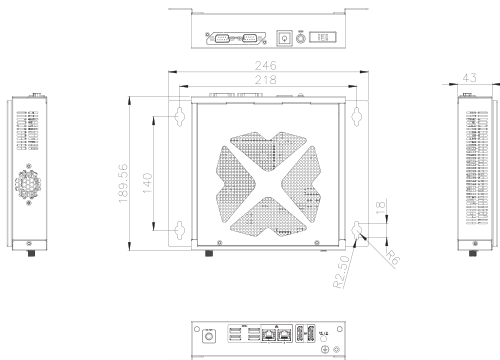
● EBC-3300-BW-R10 Rear I/O



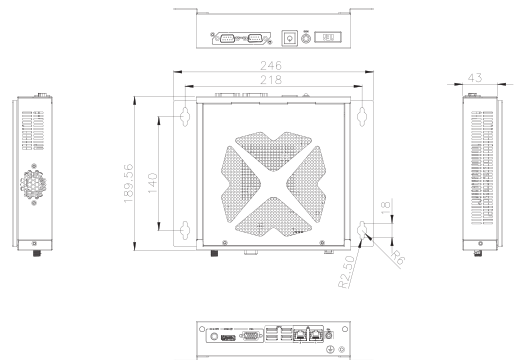
EBC-3300-ULT3-R10 Dimensions (Unit: mm)



EBC-3300-AL-R10 Dimensions (Unit: mm)



EBC-3300-BW-R10 Dimensions (Unit: mm)



Ordering Information

Part No.	Description
EBC-3300-ULT3-R10	Embedded chassis for tKINO-ULT3 with one 2.5" SATA hard drive bay, IO bracket, one LED cable, one power switch cable and RoHS
EBC-3300-AL-R10	Embedded chassis for tKINO-AL with one 2.5" SATA hard drive bay, IO bracket, one LED cable, one power switch cable and RoHS
EBC-3300-BW-R10	Embedded chassis for tKINO-BW with one 2.5" SATA hard drive bay, IO bracket, one LED cable, one power switch cable and RoHS

Options

Part No.	Description
E-MPCIE-3G-R10	PCIe mini card supports 3G WWAN Module, with PMS 130C I/O bracket, RF antenna 300mm cable and GSM antenna cable, R10
19FR123510BH-000001-RS	Fan Module, FAN, +12V, 3PIN, 31100-000409-RS, STANDARD, R123510BHAC6M5AR, CABLE L:300mm, MOLEX 5051-03P P=2.54 (For EBC-3300-ULT3-R10)
19FR123510BH-000002-RS	Fan Module, FAN, +12V, 4PIN, 31100-000410-RS, STANDARD, R123510BHAF6M6AR, CABLE L:300mm, MOLEX 5051-04P P=2.54 (For EBC-3300-AL-R10 & EBC-3300-BW-R10)

Packing List

1 x QIG	1 x Wall mount bracket kit	1 x Screw set
---------	----------------------------	---------------

EBC-3220 Compact Embedded Chassis for IEI Single Voltage Mini-ITX SBC



Features

- Designed for Mini-ITX SBC with single voltage input
- Space critical application
- One 2.5" hard drive capacity
- Cost-effective, RoHS compliant design

Specifications

Model Name		EBC-3220
Platform		Case only
Chassis	Color	Black
	Dimensions (WxDxH) (mm)	190 x 180 x 55
	System Fan (WxDxH) (mm)	40 x 40 x 10 (optional)
Motherboard	Motherboard Model	Refer to KINO Series
	SBC Size (mm)	Mini-ITX (170 x 170)
Storage	Hard Drive	1 x 2.5" HDD bracket
Buttons		Power switch
Reliability	Mounting	Desktop, wall mount, VESA mount
	Operating Temperature	-10°C ~ 50°C with air flow*
	Weight (Net/Gross)	1 kg/2 kg

*Ambient air speed follows IEC-68-2-2 standard

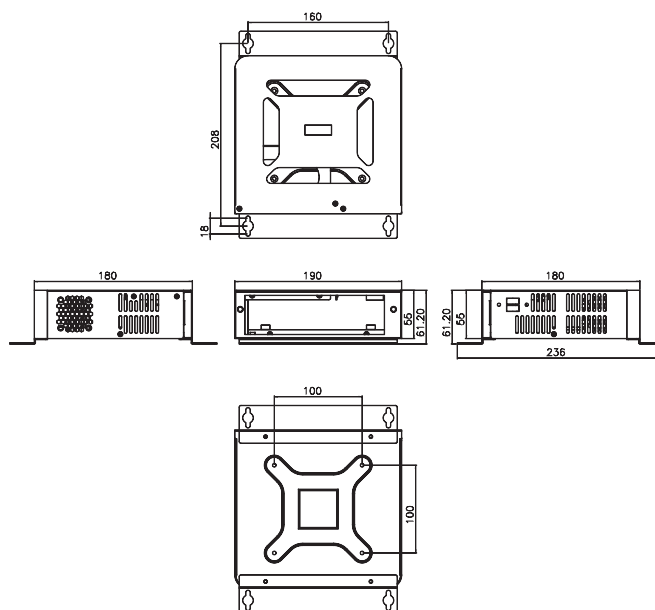
Compatible Mini-ITX SBC

Part No.	Recommended CPU Cooler
tKINO-BW	Fanless
KINO-DQM170	19100-000203-00-RS (suitable for 25W CPU)
KINO-DH810	CF-1156A-RS, CF-1156C-RS, CF-1156D-RS
KINO-DBT	Fanless
eKINO-BT	Fanless
KINO-DA750-i2	CF-989B-RS
KINO-KBN/SE-i2	GX-424CC & GX415GA with fan
KINO-DQM871-i1	19100-000203-00-RS
KINO-DH610	CF-1156A-RS, CF-1156C-RS, CF-1156D-RS
KINO-QM770	CF-989A-RS
KINO-QM670	CF-989A-RS
KINO-QM57A	CF-989A-RS, CF-989B-RS
KINO-HM551	CF-989A-RS
KINO-CV/D2550/N26001	Fanless
KINO-PV-D4252/D5252	19FFD124010HB2A7-000001-RS

Options

Part No.	Description
32001-010800-100-RS	Dual port USB cable, 200mm, w/o bracket
63040-010060-110-RS	Power adapter, FSP060-DIBAN2, 90 V~264 V AC, 60W, 1500mm, 12 V DC, Din 4-pin/lock, CCL, ErP, PSE,RoHS
63040-010084-010-RS	Power adapter, FSP084-DIBAN2, 90 V~264 V AC, 84W, 1800mm, 12 V DC, Din 4-pin/lock, CCL, ErP, RoHS
19FR124010BL-000003-RS	Fan module, L=200mm, 4cm, 3-pin, CCL, RoHS

Dimensions (Unit: mm)



Ordering Information

Part No.	Description
EBC-3220-R11	Mini-ITX embedded chassis, for DC input model only, with one 2.5" HDD bracket, w/o power adapter, black, RoHS

Packing List

1 x QIG	1 x Wall mount bracket kit	1 x Screw set
---------	----------------------------	---------------

EBC-3200

Embedded Chassis for IEC Single Voltage Mini-ITX SBC



Features

- Designed for Mini-ITX SBC with single voltage input
- Flexible storage with CF or 2.5" HDD (optional)
- One PCI or PCIe expansion slot (optional)

Flexible design with five optional modules for storage and expansion slot



Flexible storage by optional modules

2 x Internal 2.5" HDD bays (default)



1 x Internal 2.5" HDD bay
1 x CF slot



1 x Expansion slot (PCI/PCIe)
1 x Internal 2.5" HDD bay



1 x Expansion slot (PCI/PCIe)
1 x CF slot

Specifications

Model Name		EBC-3200
Platform		Case only
Chassis	Color	Black
	Dimensions (WxDxH) (mm)	260 x 180 x 55
	System Fan (WxDxH) (mm)	2, 40 x 40 x 10
Motherboard	Motherboard Model	Refer to KINO Series
	SBC Size (mm)	Mini-ITX (170 x 170)
Storage	Hard Drive	2 x 2.5" HDD bays (default) Varies by optional modules
Expansions	PCI/PCIe	1 x Low profile PCI/PCIe (support by optional modules) Max. dimensions: 147 mm (L) x 10.5 mm (D)
Buttons		Power switch Reset
Indicators		Power LED Error LED
	Mounting	Desktop, wall mount, VESA mount
Reliability	Operating Temperature	-10°C ~ 50°C with air flow*
	Weight (Net/Gross)	1.1 kg/2 kg

(* Ambient air speed follows IEC-68-2-2 standard)

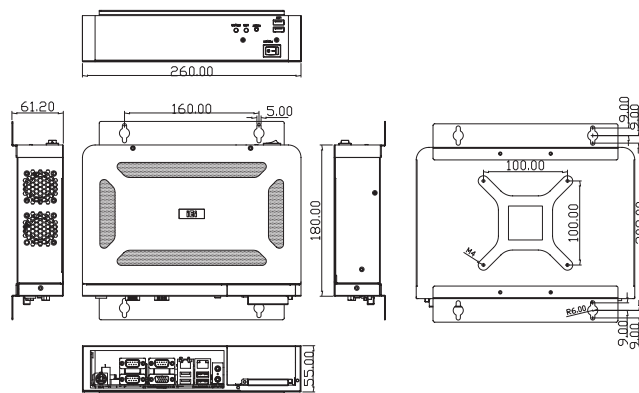
Compatible SBC

Part No.	Expansion Type	Recommended CPU Cooler
tKINO-BW	1 x PCIe x1	Fanless
KINO-DQM170	1 x PCIe x16	19100-000203-00-RS
KINO-DH810	1 x PCIe x1	CF-1156A-RS, CF-1156C-RS, CF-1156D-RS
KINO-DBT	1 x PCIe x4	Fanless
eKINO-BT	1 x PCIe x1	Fanless
KINO-DA750-i2	N/A	CF-989B-RS
KINO-KBN/SE-i2	1 x PCIe x4	GX-424CC & GX415GA with fan
KINO-DQM871-i1	1 x PCIe x16	19100-000203-00-RS
KINO-DH610	1 x PCI	CF-1156A-RS, CF-1156C-RS, CF-1156D-RS
	1 x PCIe x1	
KINO-QM770	1 x PCIe x16	CF-989A-RS
KINO-QM670	1 x PCIe x16	CF-989A-RS
KINO-QM57A	1 x PCIe x16	CF-989A-RS, CF-989B-RS
KINO-HM551	1 x PCIe x16	CF-989A-RS
KINO-CV/D2550/N26001	1 x PCI	Fanless
KINO-PV-D4252/D5252	1 x PCI, 1 x PCIe x1	19FFD124010HB2A7-000001-RS

Optional Modules

Part No.	Description
EBCKIT-01-R10/PCI-HDD	EBC-3200 optional module with one PCI slot and one 2.5" HDD bay, RoHS
EBCKIT-02-R10/PCIe-HDD	EBC-3200 optional module with one PCIe x1 slot and one 2.5" HDD bay, RoHS (For KINO-PV-D4252/D5252 only)
EBCKIT-03-R10/PCI-CF	EBC-3200 optional module with one PCI slot and one CompactFlash® slot, RoHS
EBCKIT-06-R10/PCIe16-HDD	EBC-3200 optional module with one PCIe x16 slot and one 2.5" HDD bay, RoHS

Dimensions (Unit: mm)



Ordering Information

Part No.	Description
EBC-3200-R10	Mini-ITX embedded chassis, compatible two 2.5" HDD, w/o power adapter, black, RoHS

Options

Part No.	Description
32000-000002-RS	European standard power cord, 1830mm
32000-000025-RS	American standard power cord, 1830mm
63040-010060-110-RS	Power adapter, FSP060-DIBAN2, 90 V~264 V AC, 12 V DC, 60W, Din 4-pin/lock, Erp, RoHS
19FR124010BL-000002-RS	Fan module, 40x40x10mm, CCL, RoHS

Packing List

1 x QIG	2 x Wall mount brackets	1 x Screw set
---------	-------------------------	---------------

EBC-3100 Mini-ITX Chassis for High Power Consumption Applications



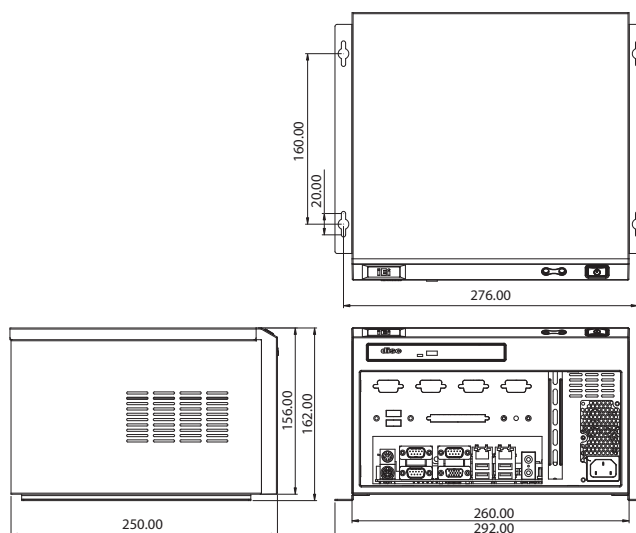
Features

- Designed for high performance applications, bundled with 270W high efficiency ATX power supply
- Front accessible I/O design
- Supports one expansion slot
- One 3.5" hard drive, one slim type optical drive capacity

Specifications

Model Name		EBC-3100
Platform		Case only
Chassis	Color	Black
	Dimensions (WxDxH) (mm)	260 x 250 x 156
	System Fan (WxDxH) (mm)	80 x 80 x 25
	Chassis Construction	Heavy duty metal with plastic front panel
Motherboard	Motherboard Model	Refer to KINO Series
	SBC Size (mm)	Mini-ITX (170 x 170)
Storage	Hard Drive	1 x 3.5" SATA HDD space
	ODD	1 x 5.25" slim type
Expansions		1 x Full-height expansion slot Max. dimensions: 220 mm (L) x 27 mm (D)
Power	Power Input	90 V~264 V AC
	Power Model	ACE-A618A 180W, ACE-A627A 270W
Reliability	Mounting	Desktop, wall mount
	Operating Temperature	0°C ~ 50°C
	Weight (Net/Gross)	2.5 kg/3.9 kg

Dimensions (Unit: mm)



Compatible SBC

Part No.	Expansion Type	Recommended CPU Cooler
KINO-AQ170	1 x PCIe x16	CF1156A-RS, CF-1156C-RS, CF-1156D-RS
KINO-ABT	1 x PCIe x4	Fanless
KINO-AA750-i2	1 x PCIe x8	CF-989B-RS
KINO-AQ870	1 x PCIe x4	CF-1150SC-RS
KINO-AQ670	1 x PCIe x16	CF1156A-RS, CF-1156C-RS, CF-1156D-RS
KINO-AH611	1 x PCIe x16	CF1156A-RS, CF-1156C-RS, CF-1156D-RS
KINO-AH612	1 x PCIe x4	CF1156A-RS, CF-1156C-RS, CF-1156D-RS

		1U AC Input							
Products	Model No.	Watt AT/ ATX PFC	Input Voltage	Output Current Range					Efficiency
				+3.3 V	+5 V	+12 V	-12 V	+5 Vsb	
	ACE-A630B	300W ATX	90~265 VAC	16A (0.5A min.)	18A (0.5A min.)	15A (0.5A min.)	0.5A	3A	82%
	ACE-A618B	180W ATX	90~264 VAC	10A (0.1A min.)	14A (0.2A min.)	10A (0.6A min.)	0.3A	2.5A	85%

Ordering Information

Part No.	Description
EBC-3100-R12/ACE-A618B	Mini-ITX embedded chassis, one 3.5" hard drive bay, with ACE-A618B-RS 180W ATX power supply, black
EBC-3100-R12/ACE-A630B	Mini-ITX embedded chassis, one 3.5" hard drive bay, with ACE-A630B-RS 300W ATX power supply, black

Packing List

1 x System Fan	1 x Screw set	1 x QIG
1 x Power cord	1 x Wall mount kit	1 x SATA slim ODD cable

EBC-3000 Mini-ITX Chassis for High Power Consumption Applications



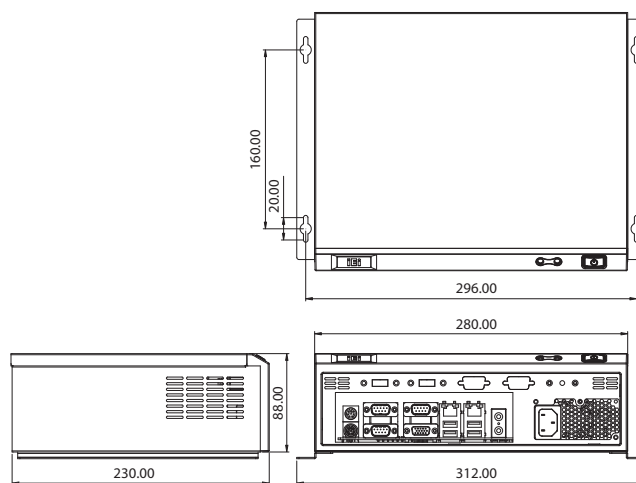
Features

- Designed for high performance applications, bundled with 270W high efficiency ATX power supply
- Front accessible I/O design
- One 3.5" hard drive capacity

Specifications

Model Name		EBC-3000
Platform		Case only
Chassis	Color	Black
	Dimensions (WxDxH) (mm)	280 x 230 x 88
	System Fan (WxDxH) (mm)	60 x 60 x 25
	Chassis Construction	Heavy duty metal with plastic front panel
Motherboard	Motherboard Model	Refer to KINO Series
	SBC Size (mm)	Mini-ITX (170 x 170)
Storage	Hard Drive	1 x 3.5" SATA HDD space
Power	Power Input	90 V~264 V AC
	Power Model	ACE-A618A 180W, ACE-A627A 270W
Reliability	Mounting	Desktop, wall mount
	Operating Temperature	0°C ~ 50°C
	Weight (Net/Gross)	2.5 kg/3.9 kg

Dimensions (Unit: mm)



Compatible SBC

Part No.	Recommended CPU Cooler
KINO-AQ170	CF1156A-RS, CF-1156C-RS, CF-1156D-RS
KINO-ABT	Fanless
KINO-AA750-i2	CF-989B-RS
KINO-AQ870	CF-1150SC-RS
KINO-AQ670	CF1156A-RS, CF-1156C-RS, CF-1156D-RS
KINO-AH611	CF1156A-RS, CF-1156C-RS, CF-1156D-RS
KINO-AH612	CF1156A-RS, CF-1156C-RS, CF-1156D-RS

		1U AC Input							
Products	Model No.	Watt AT/ATX PFC	Input Voltage	Output Current Range					Efficiency
				+3.3 V	+5 V	+12 V	-12 V	+5 Vsb	
	ACE-A630B	300W ATX	90~265 VAC	16A (0.5A min.)	15A (0.5A min.)	0.5A	0.8A	3A	82%
	ACE-A618B	180W ATX	90~264 VAC	10A (0.1A min.)	14A (0.2A min.)	10A (0.6A min.)	0.3A	2.5A	85%

Ordering Information

Part No.	Description
EBC-3000-R12/ACE-A618B	Mini-ITX embedded chassis, one 3.5" hard drive bay, with ACE-A618B-RS 180W ATX power supply, black
EBC-3000-R12/ACE-A630B	Mini-ITX embedded chassis, one 3.5" hard drive bay, with ACE-A630B-RS 300W ATX power supply, black

Packing List

1 x System fan	1 x Screw set	1 x QIG
1 x Power cord	1 x Wall mount kit	

EBC-2200 Embedded Chassis for EPIC SBC

New



Features

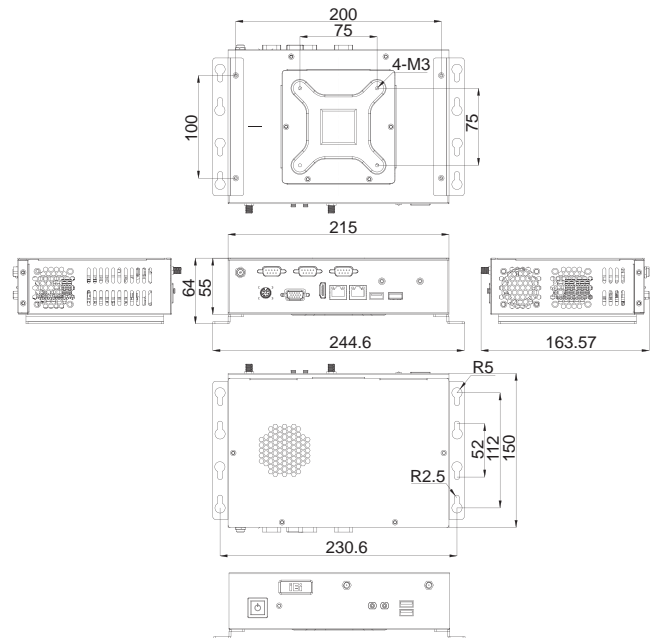
- Designed for EPIC SBC with single voltage input
- One 2.5" hard drive capacity
- Support one PCIe Mini expansion slot
- Complete I/O interface, including dual GbE, dual display port



Specifications

Model Name		EBC-2200-BT	EBC-2200-QM87
Platform		Case only	
Chassis	Color	Black	
	Dimensions (WxDxH) (mm)	215 x 150 x 55	215 x 150 x 55
	System Fan (WxDxH) (mm)	40 x 40 x 10 (optional)	
	Chassis Construction	Aluminum alloy with heavy duty metal	
Motherboard	Motherboard Model	NANO-BT-i1 NANO-BTW2	NANO-QM871
	SBC Size	EPIC SBC (165 mm x 115 mm)	
	Processor	Refer to SBC	Refer to SBC
	Chipset	SoC	Intel® QM87
	System Memory	1 x 204-pin 1066/1333 MHz DDR3L SO-DIMM (system max. 8GB)	1 x 204-pin 1600/1333 MHz DDR3 SO-DIMM (system max. 8GB)
Storage	Hard Drive	1 x 2.5" SATA 6Gb/s HDD/SSD drive bay	
System Function	PS2 (KB/MS)	1	N/A
	USB 3.0	1	2
	USB 2.0	3	4
	Ethernet	LAN1: Intel® I210-AT PCIe controller with NCSI support LAN2: Intel® I211-AT PCIe controller	LAN1: Intel® I217LM PHY with Intel® AMT 9.0 support LAN2: Intel® I210-AT PCIe controller
	COM Port	2 x RS-232 1 x RS-232/422/485	1 x RS-232 1 x RS-232/422/485
	Digital I/O	N/A	1
	Display	1 x HDMI, 1 x VGA	2 x HDMI, 1 x VGA
	Audio	1 x Line out, 1 x Mic-in	1 x Line out, 1 x Mic-in
	Wireless	1 x 802.11b/g/n (optional)	1 x 802.11b/g/n (optional)
	Expansion	PCIe Mini	1 x Full-size PCIe Mini card slot
Power	Power Input	12 V DC	12 V DC
	Power Consumption	12V@1.52A (Intel® Atom™ J1900 CPU with 8GB 1333MHz DDR3 memory)	12V@4.78A (Intel® Core™ i7-4770EQ CPU with 4GB 1333MHz DDR3 memory)
Reliability	Mounting	Wall mount, VESA 75	Wall mount, VESA 75
	Operating Temperature	-20°C ~60°C	
	Operating Shock	Half-sine wave shock 5G, 11ms, 3 shocks per axis	
	Operating Vibration	MIL-STD-810F 514.5C-1 (with SSD)	
	Weight (Net/Gross)	1.1 kg/2 kg	1.1 kg/2 kg

Dimensions (Unit: mm)



Ordering Information

Part No.	Description
EBC-2200-BT-R10	Embedded chassis for NANO-BT Series SBC with one 2.5" SATA hard drive bay, IO bracket, one LED cable, one power switch cable, one USB cable, RoHS, R10
EBC-2200-QM87-R10	Embedded chassis for NANO-QM87 Series SBC with one 2.5" SATA hard drive bay, IO bracket, one LED cable, one power switch cable, one USB cable, RoHS, R10

Options

Part No.	Description
32231-000100-200-RS	DIO cable, 150 mm, 2x5 pin
32205-001400-200-RS	RS-232 cable, 200 mm, 2x5 pin
32107-004000-100-RS	Audio cable, 250 mm, two 3.5 mm phone jacks with nut
63040-010060-120-RS	Power adapter, FSP060-DIBAN2, 90 V~264 V AC, 60 W, 12 V DC, ErP
31100-000272-RS	Fan, +12 V DC, 4-pin, YEN SUN, 40 mm x 40 mm x 15 mm, 6000 RPM

Packing List

1 x QIG	2 x Wall mount bracket	1 x Screw set
---------	------------------------	---------------

EBC-2100

Embedded Chassis for EPIC NANO Series



Features

- Fanless system with AMD LX-800
- Complete I/O interfaces, including LAN, COM, four USB
- Single 12V DC power input, AT mode only
- DDR support up to 1GB

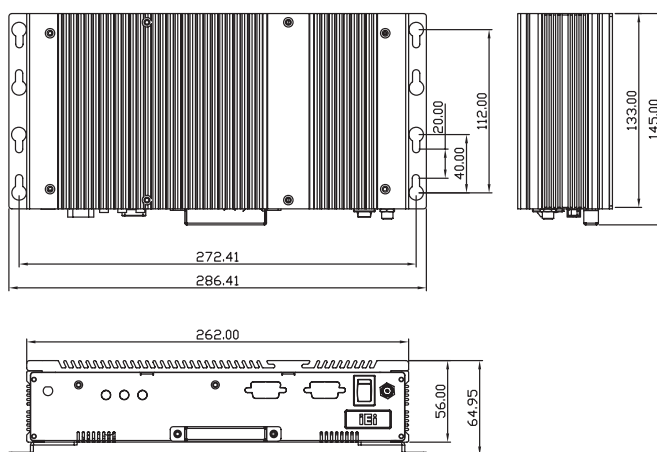
Specifications

Model Name		EBC-2100
Platform		Case only
Chassis	Color	Cool gray
	Dimensions (WxDxH) (mm)	262 x 134 x 56
	System FAN (WxDxH) (mm)	40 x 40 x 10 (optional)
	Chassis Construction	Aluminum alloy with heavy duty metal
Motherboard	Motherboard Model	NANO-LX
	SBC Size (mm)	EPIC (165 x 115)
	Processor	Refer to SBC
	Chipset	Refer to SBC
	System Memory	Refer to SBC
Storage	Hard Drive	1 x 2.5" SATA HDD drive bay
	CF Card/CFast	1
I/O Interfaces	PS2 (KB/MS)	1
	USB 2.0	4
	Ethernet	1 x Realtek 8100C
	COM Port	1+2 RS-232*
	LPT	1*
	Display	1 x VGA
	Audio	3 x Audio jack*
	Wireless	N/A
	Expansions	PCIe Mini
Others		1 x PCI-104
Power	Power Input	12 V DC in, AT mode only
	Power Consumption	12V@0.92A (AMD LX800 CPU with 400MHz 256MB DDR RAM)
Reliability	Mounting	Desktop, wall mount
	Operating Temperature	0°C ~ 50°C
	Operating Shock	Half-sine wave 3G, 11ms 3 shocks per axis
	Operating Vibration	MIL-STD-810F 514.5C-1
	Weight (Net/Gross)	1 kg/3 kg

*Optional items

**The system with hard drive can meet the standard testing MIL-STD-810F 514.5C-1; the system with SSD/CF can pass MIL-STD-810F 514.5C-2.

Dimensions (Unit: mm)



Ordering Information

Part No.	Description
EBC-2100-R41	Embedded chassis for NANO-8522/LX, compatible with 2.5" SATA hard drive, 60W power adapter with ERP and PSE certificates, sliver, RoHS

Options

Part No.	Description
32221-001000-101-RS	44-pin IDE cable for 2.5" hard drive
32801-000205-100-RS	2.5" SATA HDD cable with 2-pin WAFER 2.0mm power cable, for NANO-945GSE-N270 in EBC-2101, 20cm
CF-PV4010-R10	4010 system fan, +12V ball bearing

Packing List

- 1 x 12V 60W power adapter
- 1 x Power cord
- 1 x Screw set
- 1 x Wall mount kit
- 1 x QIG



Wall mount bracket

EBC-1100 Embedded Chassis for 3.5" SBC



Features

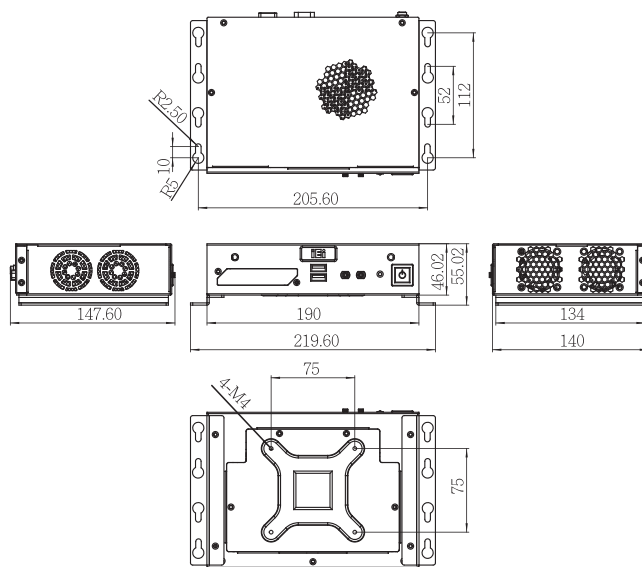
- Designed for WAFER-BT-E38001W2 SBC with single voltage input
- One 2.5" hard drive capacity and two PCIe Mini expansion slots
- On-board memory and on-board SSD for choice
- Flexible E-Window tool kit support
- -40°C ~ 75°C wide temperature support



Specifications

Model Name		EBC-1100
Platform		Chassis only
Chassis	Color	Black
	Dimensions (WxDxH) (mm)	190 x 140 x 46
	System Fan (WxDxH) (mm)	Refer to MB
	Chassis Construction	Aluminum alloy with heavy duty metal
Motherboard	Motherboard Model	WAFER-BT-E38001W2
	Processor	Intel® Atom™ E3800 series on-board SoC
	Chipset	SoC
	System Memory	4GB solder-down 1066/1333 MHz DDR3L memory for E3845 2GB solder-down 1066/1333 MHz DDR3L memory for other SKUs
Storage	Hard Drive	1 x 2.5" SATA 6Gb/s HDD/SSD drive bay
	Storage	On-board SSD colay SATA1 (optional) 1 x mSATA colay SATA2 1 x microSD socket
System Function	USB 3.0	1
	USB 2.0	3
	Ethernet	2 x RJ-45 LAN1: Intel® I210-IT PCIe controller LAN2: Intel® I210-IT PCIe controller
	COM Port	2 x RS-232 (RS-232 pin header is optional) 1 x RS-422/485 (pin header, optional)
	Display	1 x VGA
	Resolution	VGA (up to 2560x1600@60Hz)
	Audio	1 x Line-out, 1 x Mic-in
	LED Indicator	Power, HDD
	Wireless	802.11b/g/n 2T2R (optional)
	Expansions	PCIe Mini
	E-Window	1
Power	Power Input	DC jack: 12 V DC
	Power Consumption	12 V @ 1.32 A (Intel® Atom™ E3845 processor)
Reliability	Mounting	Wall mount, VESA 75
	Operating Temperature	E3845 (10W): -40°C ~ 50°C without fan module/ -40°C ~ 75°C with fan module E3825 (6W): -40°C ~ 65°C without fan module
	Operating Shock	Half-sine wave shock 5G, 11ms, 3 shocks per axis
	Operating Vibration	MIL-STD-810F 514.5C-1 (with SSD)
	Weight (Net/Gross)	1.2 kg/2.2 kg

Dimensions (Unit: mm)



Ordering Information

Part No.	Description
EBC-1100-BTW2-R10	Embedded chassis for WAFER-BT-E38001W2 Series MB with one 2.5" SATA hard drive bay, IO bracket, one LED cable, one power switch cable, one USB cable, one audio cable, RoHS, R10

Options

Part No.	Description
63040-010060-120-RS	FSP060-DIBAN2, 90 V ~ 264 V AC, 60 W, 12 V DC, ErP
19FR124010BL-000001-RS	Fan module, +12 V DC, 3-pin, 40 mm x 40 mm x 10 mm, EVERFLOW, 5000 RPM, two ball bearing, L=250 mm
32205-004700-100-RS	RS-422/485 cable, 100 mm, P=2.0
32200-074500-RS	RS-232 cable, 150 mm, P=2.0
32801-003608-100-RS	SATA power cable kit, 150 mm
DK-75-R10	VESA 75 to DIN-rail mounting kit

Packing List

1 x QIG	1 x Wall mount bracket	1 x Screw set
---------	------------------------	---------------

Chassis Selection Guide

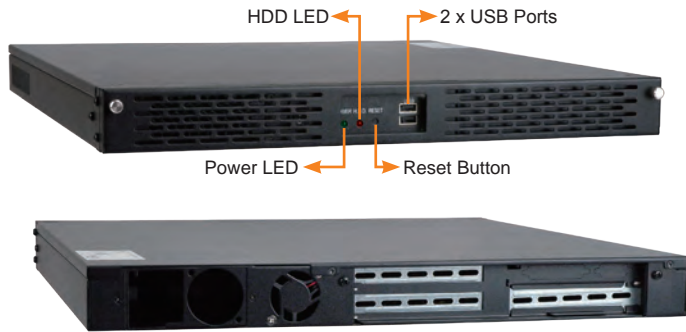
Model No.	Type	Board Type		Max. Slots	Drive Capacity				Fan Spec.			
		SBC Slot	Motherboard		5.25" F.P.	3.5" F.P.	2.5" Int	3.5" Int	4 cm	6 cm	8 cm	12 cm
RACK-1150G	1U	PICMG 1.0 full-size/ PICMG 1.3 full-size		3	1			1	3			
RACK-220G	2U	PICMG 1.0 full-size	*microATX, Mini-ITX	6	1	1		1			2	
RACK-2100G	2U	PICMG 1.3 full-size		6	1	1		1			2	
RACK-305G	4U	Full-size	*ATX, microATX, Mini-ITX	14	2	1		1		***2	2	
RACK-360G	4U	Full-size	*ATX, microATX, Mini-ITX	14	2	1		1		***2		1
RACK-3000G	4U	Full-size	*ATX, microATX, Mini-ITX	14	3	2		1		***2	2	
RACK-500G	5U	Full-size		5		1		1			1	
ECA-300			ATX, microATX	7	2		1	1				
ECA-200			microATX	4			1	1				
ECA-100			ATX, microATX	7			1	1				
PAC-1000G		Full-size		6	1	1		1			1	
PAC-106G		Full-size		6		1		1			1	
PAC-1700G		Full-size		7	1	1		2			1	
PAC-125G		Full-size		10	2	1		1			1	
PAC-53GH		Half-size		3			1					
PR-1300G		half-size		3		1					1	
PAC-42GH		Half-size		4		△1		△1			1	
PR-1500G		Half-size		5	◇1	1		1			1	
PAC-400G		Half-size		5				△1			1	
PAC-700G		Half-size		7	1	△1		1			1	

Model No.	Indicators		Front Panel Control						Back Panel Control		PSU	Dimensions (mm)			Color	
	Power	HDD	Power	Reset	KB	USB	Keylock	COM	USB	COM		Depth	Height	Width	Black	White
RACK-1150G	○	○	○	○		2					1U	449	44	431	○	
RACK-220G	○	○	○	○		2	○				PS/2	487.5	88	431	○	○
RACK-2100G	○	○	○	○		2	○				PS/2, redundant	576.9	88	431	○	
RACK-305G	○	○	○	○	○	2	○				PS/2 or mini redundant	413	176	431	○	○
RACK-360G	○	○	○	○	○	2	○				PS/2 or mini redundant	435.5	176	431	○	○
RACK-3000G	○	○	○	○			○				PS/2 or mini redundant	520	176	431	○	○
RACK-500G	○	○	○	○		2					1U	440.2	221.3	110.6	○	○
ECA-300	○	○	○	○		2		6			1U	291	162	365	○	
ECA-200	○	○	○	○		2		6			1U	310	162	310	○	
ECA-100	○	○	○	○		2			4	2	PS/2	320	480.5	210		○
PAC-1000G	○	○	○	○							PS/2	421	176	232	○	
PAC-106G	○	○	○	○		2					1U	400	175.5	166		○
PAC-1700G	○	○	○	○							PS/2	433	253.7	192.4	○	
PAC-125G	○	○	○	○		2	○				PS/2	420	176	321		○
PAC-53GH	○	○	○	○		2					1U	218	200	95		○
PR-1300G	○	○	○	○		2		1U	254	88	265		○	286		○
PAC-42GH	○	○	○	○		2					1U	269	230	140		○
PR-1500G	○	○	○	○		2					1U	254	132	286		○
PAC-400G	○	○	○	○		2					1U	269	230.5	140		○
PAC-700G	○	○	○	○		2	○				1U	279	176	321	○	

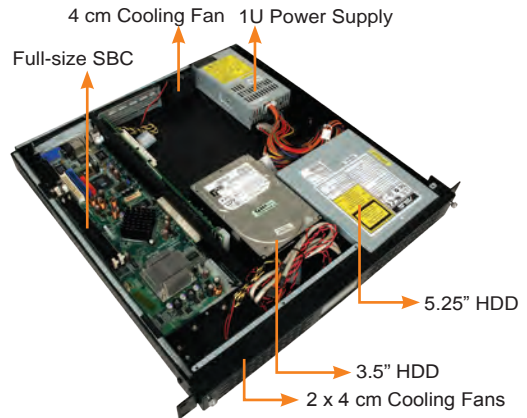
■ Rackmount chassis
■ Full-size wall mount chassis
■ Half-size wall mount chassis

* For ATX model ◇ Slim-type CD-ROM
 *** Optional fans for ATX model △ Please refer to datasheet for detail information

RACK-1150G/1150G-PE 1U Full-size Rackmount Chassis



CD-ROM, and HDD are not included in package



Features

- RoHS compliant design
- Two front-accessible USB ports
- One 5.25" drive bay
- One 3.5" internal hard drive bay
- Three 4 cm cooling fans

Specifications

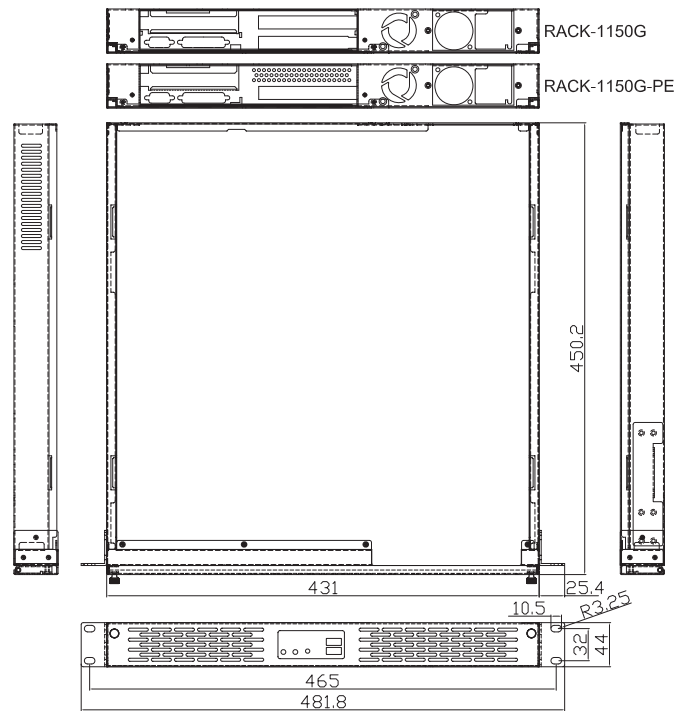
◆ Construction	Heavy duty metal
◆ SBC Form Factor	Full-size CPU card
◆ Drive Bays	1 x 5.25" 1 x 3.5" HDD (internal)
◆ Cooling Fans	3 x 4 cm
◆ I/O Ports	2 x USB
◆ I/O Openings	1 x COM, 1 x LPT
◆ Expansion Slots	3 slots/2 slots (PE)
◆ Indicators	Power, HDD
◆ Buttons	Power switch, reset button
◆ Operating Temperature	0°C ~ 50°C
◆ Operating Humidity	10% ~ 90%
◆ Color	B: Black
◆ Weight (Net/Gross)	7.5 kg/9.5 kg
◆ Dimensions (DxWxH)	449 mm x 431 mm x 44 mm

RACK-1150G and RACK-1151G support processors with a maximum TDP of 31 W only.

Ordering Information

Part No.	Description
RACK-1150GB-PE-R11/A618A	1U 2-slot full-size rackmount chassis for PICMG 1.3 backplane, black, 3 x 4cm fan, with ACE-A618A-RS-R11 (180W ATX model), RoHS
RACK-1150GB-R11/A618A	1U 3-slot full-size rackmount chassis for PICMG 1.0 backplane, black, 3 x 4cm fan, with ACE-A618A-RS-R11 (180W ATX model), RoHS

Dimensions (Unit: mm)



Backplane Options

Model No.	SBC Type	PCI	ISA	PCIe			PSU Connector
				x1	x4	x16	
PCI-2SD2-RS	PICMG 1.0	2	0	0	0	0	ATX
PE-2SD1*	PICMG 1.3	0	0	0	0	1	ATX
PE-2SD2*	PICMG 1.3	1	0	0	0	0	ATX

Adapter cable 32100-040600-RS is required when connecting PCI-2SD2-RS to a standard ATX supply.

* For RACK-1150G-PE

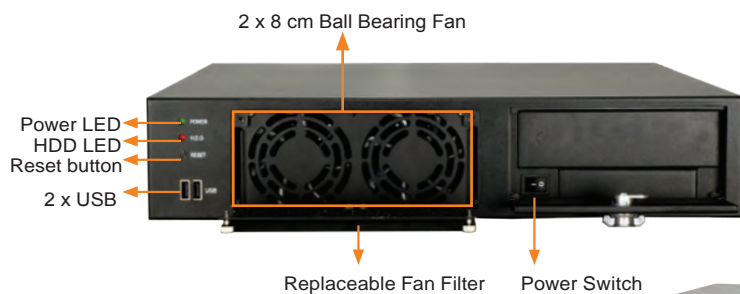
Power Supply Options

Type	Model No.	Watt
ATX	ACE-A618A-RS-R11	180W
	ACE-A225A-R11	250W
	ACE-4520C-RS	200W

RACK-1150G supports single 1U height PSU. For more IEI PSU models, please refer to section 5 or visit www.ieiworld.com.

RACK-220G

2U 6-slot Full-size Rackmount Chassis



CD-ROM, and HDD are not included in package



RACK-220GBATX



RACK-220GW
W-White



RACK-220GB
B-Black

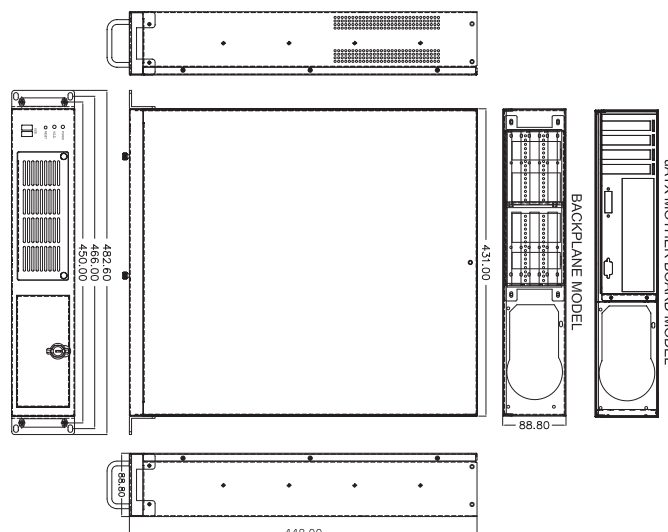
Features

- RoHS compliant design
- Two USB ports on the front panel
- Two 8 cm cooling fans with replaceable fan filter
- One 5.25" and one 3.5" drive bays
- One 3.5" internal hard drive bay
- Lockable door prevents unauthorized access

Specifications

◆ Construction	Heavy duty metal
◆ SBC Form Factor	Full-size, slot CPU card
◆ Drive Bays	1 x 5.25" 1 x 3.5" 1 x 3.5" HDD (internal)
◆ Cooling Fans	2 x 8 cm
◆ I/O Ports	2 x USB
◆ Expansion Slots	6 slots
◆ Indicators	Power, HDD
◆ Buttons	Power switch, reset button
◆ Operating Temperature	0°C ~ 50°C
◆ Operating Humidity	10% ~ 90%
◆ Color	W: White/B: Black
◆ Weight (Net/Gross)	8.2 kg/12.4 kg
◆ Dimensions (DxWxH)	448 mm x 431 mm x 88 mm

Dimensions (Unit: mm)



Selection Guide

Model No.	SBC Type	PSU Type	Color Options
RACK-220G <input type="checkbox"/>	PICMG 1.0	PS/2	Black/White
RACK-220G <input type="checkbox"/> ATX	microATX MB	PS/2	Black/White

Backplane Options

Model No.	SBC Type	PCI	ISA	PCIe			PSU Connector
				x1	x4	x16	
PCI-5SDA-RS	PICMG 1.0	L2+R2	0	0	0	0	AT/ATX
PCI-5SD5-RS	PICMG 1.0	L2+R2	0	0	0	0	AT
PCI-5SD6-RS	PICMG 1.0	L2+R2	0	0	0	0	ATX
PCI-6SD-RS	PICMG 1.0	L1+R1	L1+R1	0	0	0	ATX

Ordering Information

Part No.	Description
RACK-220G <input type="checkbox"/> /A130B	2U 6-slot full-size rackmount chassis for PICMG 1.0 SBC, (black/white), 2 x 8 cm fan, with ACE-A130B-R10 (300W ATX model), RoHS
RACK-220G <input type="checkbox"/> ATX/A130B	2U microATX motherboard rackmount chassis, (black/white), 2 x 8 cm fan, with ACE-A130B-R10 (300W ATX model), RoHS

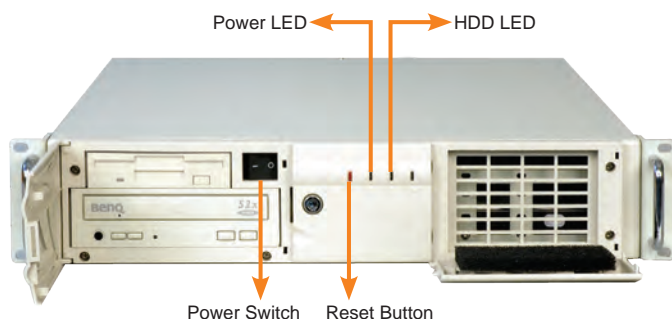
Color Code: B-Black W-White

Power Supply Options

Type	Model No.	Watt
AT	ACE-925AP-U-RS	250W
	ACE-935AL-RS	300W
ATX	ACE-A130B-R10	300W
	ACE-A140A-S-R11	400W

RACK-220G supports single PS/2 PSU. For more IEI PSU models, please refer to section 5 or visit www.ieiworld.com.

RACK-2100G 2U 6-slot Full-size Rackmount Chassis



RACK-2100GB

CD-ROM, and HDD are not included in package

Features

- RoHS compliant design
- Stylish front panel with keypad
- One 5.25" and one 3.5" drive bays
- Two 8 cm cooling fans with easy replaceable fan filter
- Lockable door prevents unauthorized access

Specifications

◆ Construction	Heavy duty metal with plastic front panel
◆ SBC Form Factor	Full-size, slot CPU card
◆ Drive Bays	1 x Front accessible 3.5" 1 x 3.5" HDD (internal) 1 x 5.25"
◆ Cooling Fans	2 x 8 cm
◆ Expansion Slots	6 slots
◆ Indicators	Power, HDD
◆ Buttons	Power switch, reset button
◆ Operating Temperature	0°C ~ 50°C
◆ Operating Humidity	10% ~ 90%
◆ Color	W: White/B: Black
◆ Weight (Net/Gross)	7.8 kg/11.8 kg
◆ Dimensions (DxWxH)	576.9 mm x 431 mm x 88 mm

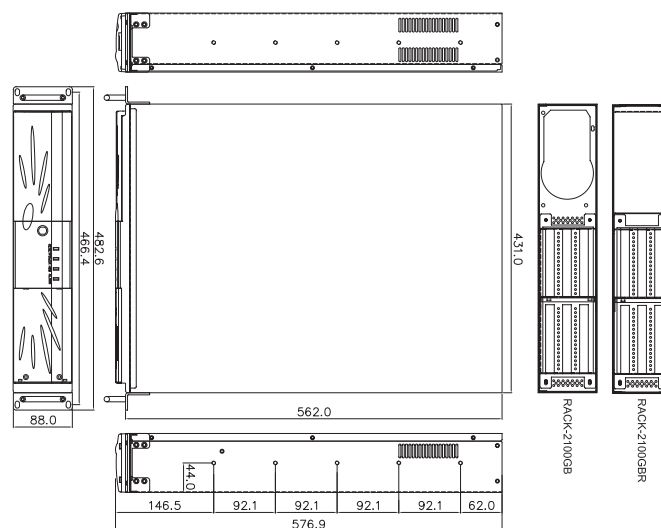
Selection Guide

Model No.	SBC Type	PSU Type	Color Options
RACK-2100G	PICMG 1.3	PS/2	Black/White

Ordering Information

Part No.	Description
RACK-2100GB/A130B	2U 6-slot full-size rackmount chassis for PICMG 1.3 SBC, white, 2 x 8 cm fan, with ACE-A130B-RS (300W ATX model), RoHS

Dimensions (Unit: mm)



Backplane Options

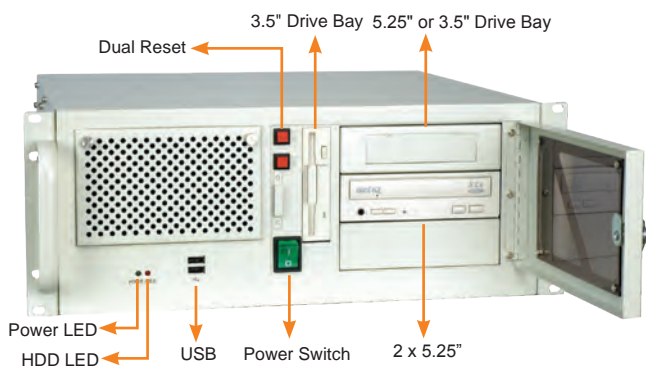
Model No.	SBC Type	PCI	ISA	PCIe			PSU Connector
				x1	x4	x16	
PE-6SD	PICMG 1.3	0	0	3	0	1	ATX
PE-6SD2	PICMG 1.3	1	0	2	0	1	ATX
PE-6SD3-RS	PICMG 1.3	2	0	0	1	1	ATX

Power Supply Options

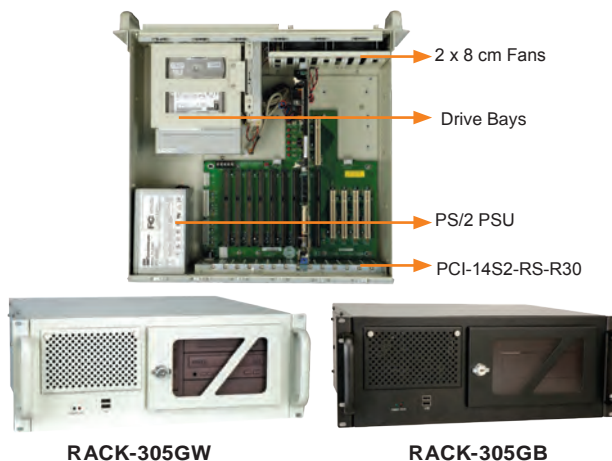
Type	Model No.	Watt
AT	ACE-925AP-U-RS	250W
	ACE-935AL-RS	300W
ATX	ACE-A130B-RS	300W
	ACE-A140A-S-R11	400W

For more IEI PSU models, please refer to section 5 or visit www.ieiworld.com.

RACK-305G 4U 14-slot Full-size Rackmount Chassis



CD-ROM, and HDD are not included in package



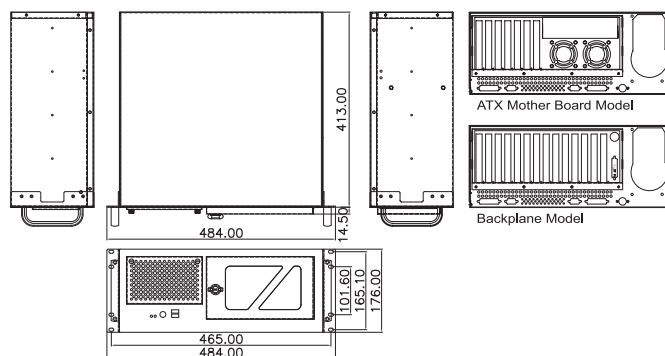
Features

- RoHS compliant design
- Two USB ports on the front panel
- Dual reset buttons for dual systems
- Two 8 cm cooling fans with replaceable fan filters
- Lockable door prevents unauthorized access

Specifications

◆ Construction	Heavy duty metal
◆ SBC Form Factor	Full-size, slot CPU card
◆ Drive Combinations	3 x 5.25" + 1 x 3.5" HDD or 2 x 5.25" + 2 x 3.5" HDD or 2 x 5.25" + 1 x 3.5" HDD + 1 x front accessible 3.5" or 2 x 5.25" + 2 x front accessible 3.5"
◆ Cooling Fans	2 x 8 cm
◆ I/O Ports	2 x USB
◆ Expansion Slots	14 slots for RACK-305G 7 slots for RACK-305GATX
◆ Indicators	Power, HDD
◆ Buttons	1 x Power switch, 2 x reset buttons
◆ Operating Temperature	0°C ~ 50°C
◆ Operating Humidity	10% ~ 90%
◆ Color	W: White/B: Black
◆ Weight (Net/Gross)	10.4 kg/15 kg
◆ Dimensions (DxWxH)	413 mm x 431 mm x 176 mm

Dimensions (Unit: mm)



Backplane Options

Model No.	SBC Type	PCI	ISA	PCIX	PCIe			PSU Connector
					x1	x4	x16	
PCI-13SD-RS	PICMG 1.0	3+4	3+3	0	0	0	0	AT/ATX
PCI-14S2-RS	PICMG 1.0	4	8	0	0	0	0	AT/ATX
PCI-14S3-RS	PICMG 1.0	4	9	0	0	0	0	AT/ATX
PX-14S3-RS	PICMG 1.0	12	2	0	0	0	0	AT/ATX
PX-14S5-RS	PICMG 1.0	7	6	0	0	0	0	AT/ATX
BP-14S-RS	ISA	0	14	0	0	0	0	AT
PE-6S	PICMG 1.3	2	0	0	2	0	1	ATX
PE-10S	PICMG 1.3	4	0	0	4	0	1	ATX
PE-10S2	PICMG 1.3	4	0	0	4	0	1	ATX
PXE-12S	PICMG 1.3	4	0	6	0	0	1	ATX
PE-13SD	PICMG 1.3	4	0	0	4	1	2	ATX
PXE-13S	PICMG 1.3	8	0	0	3	0	1	ATX
SPXE-14S	PICMG 1.3	0	0	0	12	0	0	ATX

Ordering Information

Part No.	Description
RACK-305G [C]-R22/ACE-935AL	4U 14-slot rackmount chassis, USB, (black/white), with ACE-935AL-RS PSU (300W), RoHS
RACK-305G [C]-R22/A130B	4U 14-slot rackmount chassis, (black/white), 2 x 8 cm fan, with ACE-A130B-R10 (300W ATX model), RoHS
RACK-305G [C] ATX-R22/A130B	4U ATX motherboard rackmount chassis, (black/white), 2 x 8 cm fan, with ACE-A130B-R10 (300W ATX model), RoHS

[C] Color Code: B-Black W-White

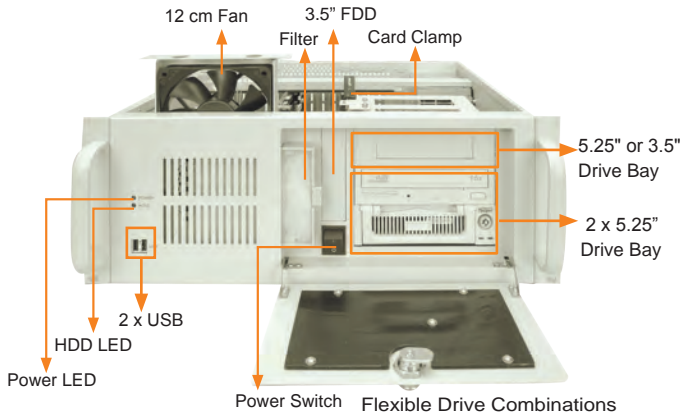
Power Supply Options

Type	Model No.	Watt
AT	ACE-935AL-RS	300W
	ACE-T140A-RS	400W
ATX	ACE-A130B-R10	300W
	ACE-A140A-S-R11	400W
	ACE-A160A-R11	600W
ATX Redundant	ACE-R4130AP-RS	300W
	ACE-R4140AP-RS	400W

RACK-305G supports single PS/2 PSU. For more IEI PSU models, please refer to section 5 or visit www.ieiworld.com.

RACK-360G

4U 14-slot Full-size Rackmount Chassis



RACK-360GW

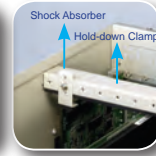
RACK-360GB



Replaceable fan filter



Front accessible I/O



Anti-vibration card clamp

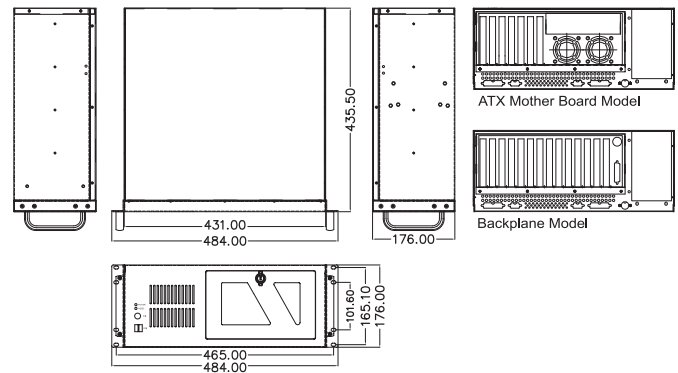
Features

- Cost-effective, RoHS compatible design
- Flexible drive combinations
- Two USB ports on the front panel
- 12 cm cooling fan with replaceable fan filter
- Lockable door prevents unauthorized access

Specifications

◆ Construction	Heavy duty metal
◆ SBC Form Factor	Full-size, slot CPU card
◆ Drive Combinations	3 x 5.25" + 1 x 3.5" HDD or 2 x 5.25" + 2 x 3.5" HDD or 2 x 5.25" + 1 x 3.5" HDD + 1 x front accessible 3.5" or 2 x 5.25" + 2 x front accessible 3.5"
◆ Cooling Fans	1 x 12 cm
◆ I/O Ports	2 x USB
◆ I/O Openings	2 x COM, 2 x LPT
◆ Expansion Slots	14 slots for RACK-360G 7 slots for RACK-360GATX
◆ Indicators	Power, HDD
◆ Buttons	Power switch, reset button
◆ Operating Temperature	0°C ~ 50°C
◆ Operating Humidity	10% ~ 90%
◆ Color	B: Black/W: White
◆ Weight (Net/Gross)	11 kg/15.4 kg
◆ Dimensions (DxWxH)	435.5 mm x 431 mm x 176 mm

Dimensions (Unit: mm)



Backplane Options

Model No.	SBC Type	PCI	ISA	PCIX	PCIe			PSU Connector
					x1	x4	x16	
PCI-13SD-RS	PICMG 1.0	3+4	3+3	0	0	0	0	AT/ATX
PCI-14S2-RS	PICMG 1.0	4	8	0	0	0	0	AT/ATX
PCI-14S3-RS	PICMG 1.0	4	9	0	0	0	0	AT/ATX
PX-14S3-RS	PICMG 1.0	12	2	0	0	0	0	AT/ATX
PX-14S5-RS	PICMG 1.0	7	6	0	0	0	0	AT/ATX
BP-14S-RS	ISA	0	14	0	0	0	0	AT
PE-6S	PICMG 1.3	2	0	0	2	0	1	ATX
PE-10S	PICMG 1.3	4	0	0	4	0	1	ATX
PE-10S2	PICMG 1.3	4	0	0	4	0	1	ATX
PXE-12S	PICMG 1.3	4	0	6	0	0	1	ATX
PE-13SD	PICMG 1.3	4	0	0	4	1	2	ATX
PXE-13S	PICMG 1.3	8	0	0	3	0	1	ATX
SPXE-14S	PICMG 1.3	0	0	0	12	0	0	ATX

Ordering Information

Part No.	Description
RACK-360G [C]-R23/ACE-935AL	4U 14-slot rackmount chassis, USB, (black/white), with ACE-935AL-RS PSU (300W), RoHS
RACK-360G [C]-R23/A130B	4U 14-slot rackmount chassis, (black/white), 1 x 12 cm fan, with ACE-A130B-R10 (300W ATX model), RoHS
RACK-360G [C] ATX-R23/A130B	4U ATX motherboard rackmount chassis, (black/white), 1 x 12 cm fan, with ACE-A130B-R10 (300W ATX model), RoHS

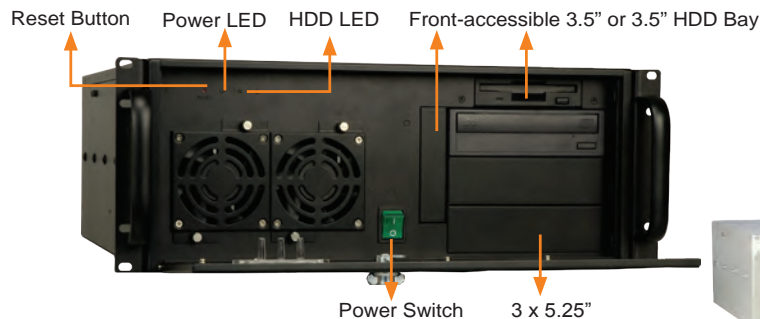
[C] Color Code: B-Black W-White

Power Supply Options

Type	Model No.	Watt
AT	ACE-935AL-RS	300W
	ACE-T140A-RS	400W
ATX	ACE-A130B-R10	300W
	ACE-A140A-S-R11	400W
	ACE-A160A-R11	600W
ATX Redundant	ACE-R4130AP-RS	300W
	ACE-R4140AP-RS	400W

RACK-360G supports single PS/2 PSU. For more IEI PSU models, please refer to section 5 or visit www.ieiworld.com.

RACK-3000G 4U 14-slot Full-size Rackmount Chassis



RACK-3000GBATX



RACK-3000GW



RACK-3000GB

CD-ROM and HDD are not included in package

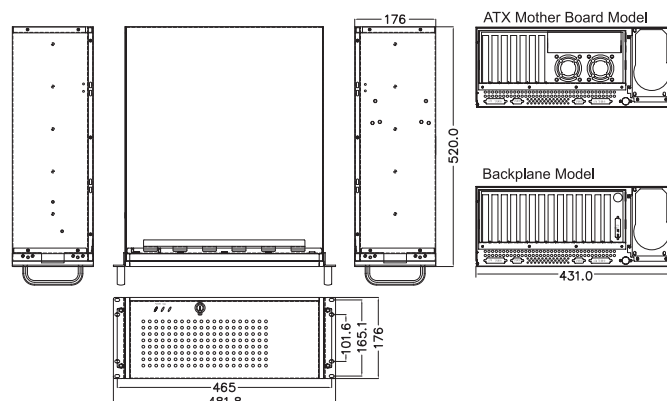
Features

- RoHS compliant design
- Compatible with ATX and microATX form factor motherboards
- Three 5.25" and three 3.5" drive bays
- Two 8 cm cooling fans
- Lockable door prevents unauthorized access

Specifications

◆ Construction	Heavy duty metal
◆ SBC Form Factor	Full-size, slot CPU card
◆ Drive Bays	3 x 5.25" + 1 x front-accessible 3.5" + 2 x 3.5" HDD or 3 x 5.25" + 2 x front-accessible 3.5" + 1 x 3.5" HDD or 3 x 5.25" + 3 x 3.5" HDD
◆ Cooling Fans	2 x 8 cm
◆ I/O Openings	2 x COM, 2 x LPT, 1 x PS2
◆ Expansion Slots	14 slots for RACK-3000G 7 slots for RACK-3000GATX
◆ Indicators	Power, HDD
◆ Buttons	Power switch, reset button
◆ Operating Temperature	0°C ~ 50°C
◆ Operation Humidity	10% ~ 90%
◆ Color	W: White/B: Black
◆ Weight (Net/Gross)	13 kg/18 kg
◆ Dimensions (DxWxH)	520 mm x 431 mm x 176 mm

Dimensions (Unit: mm)



Backplane Options

Model No.	SBC Type	PCI	ISA	PCIX	PCIe			PSU Connector
					x1	x4	x16	
BP-14S-RS	ISA	0	14	0	0	0	0	AT
PCI-13SD-RS	PICMG 1.0	3+4	3+3	0	0	0	0	AT/ATX
PCI-14S2-RS	PICMG 1.0	4	8	0	0	0	0	AT/ATX
PCI-14S3-RS	PICMG 1.0	4	9	0	0	0	0	AT/ATX
PX-14S3-RS	PICMG 1.0	12	2	0	0	0	0	AT/ATX
PX-14S5-RS	PICMG 1.0	7	6	0	0	0	0	AT/ATX
PE-6S	PICMG 1.3	2	0	0	2	0	1	ATX
PE-10S	PICMG 1.3	4	0	0	4	0	1	ATX
PE-10S2	PICMG 1.3	4	0	0	4	0	1	ATX
PXE-12S	PICMG 1.3	4	0	6	0	0	1	ATX
PE-13SD	PICMG 1.3	4	0	0	4	1	2	ATX
PXE-13S	PICMG 1.3	8	0	0	3	0	1	ATX
SPXE-14S	PICMG 1.3	0	0	0	12	0	0	ATX

Ordering Information

Part No.	Description
RACK-3000G -R21/A130B	4U 14-slot rackmount chassis, (black/white), 2 x 8 cm fan, with ACE-A130B-R10 (300W ATX model), RoHS
RACK-3000G ATX-R21/A130B	4U ATX motherboard rackmount chassis, (black/white), 2 x 8 cm fan, with ACE-A130B-R10 (300W ATX model), RoHS

Color Code: B-Black W-White

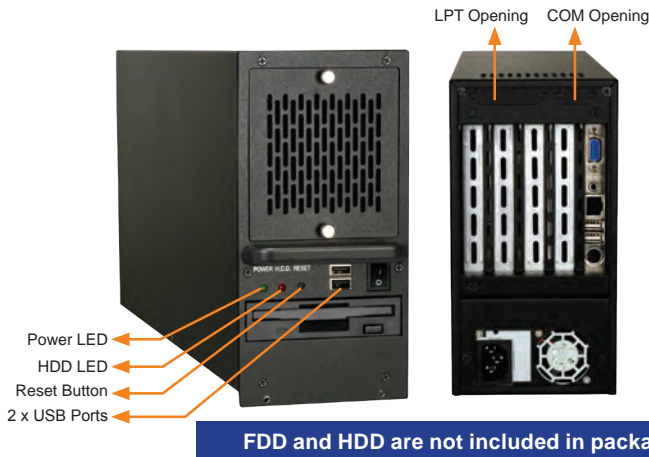
Power Supply Options

Type	Model No.	Watt
AT	ACE-935AL-RS	300W
	ACE-T140A-RS	400W
ATX	ACE-A130B-R10	300W
	ACE-A140A-S-R11	400W
	ACE-A160A-R11	600W
ATX Redundant	ACE-R4130AP-RS	300W
	ACE-R4140AP-RS	400W

RACK-3000G supports single PS/2 PSU. For more IEI PSU models, please refer to section 5 or visit www.ieiworld.com.

RACK-500G

5U 5-slot Full-size Rackmount Chassis



CA-950G

19" rack carrier can carry four RACK-500G and fit into standard 19" width rack with 5U height.



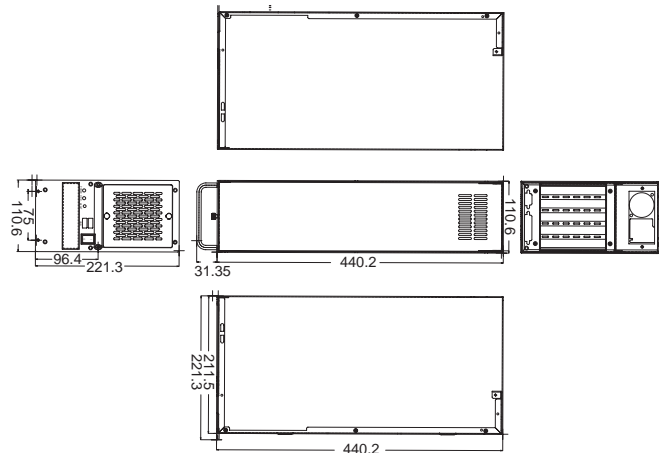
Features

- RoHS compliant design
- 2 x USB ports on front panel
- 1 x front-accessible 3.5" and 1 x 3.5" HDD drive capacity
- Hot-swappable 8 cm cooling fan
- 19" rack-mountable carrier (optional)

Specifications

◆ Construction	Heavy duty metal
◆ SBC Form Factor	Full-size, slot CPU cards
◆ Drive Bays	1 x Front-accessible 3.5" 1 x 3.5" HDD
◆ Cooling Fans	1 x 8 cm
◆ I/O Ports	2 x USB
◆ I/O Openings	1 x LPT, 1 x COM
◆ Expansion Slots	5 slots
◆ Indicators	Power, HDD
◆ Buttons	Power switch, reset
◆ Operating Temperature	0°C ~ 50°C
◆ Operation Humidity	10% ~ 90%
◆ Color	W: White/B: Black
◆ Weight (Net/Gross)	6 kg/9 kg
◆ Dimensions (DxWxH)	440.2 mm x 110.6 mm x 221.3 mm

Dimensions (Unit: mm)



Backplane Options

Model No.	SBC Type	PCI	ISA	PCIe			PSU Connector
				x1	x4	x16	
PCI-5S2-RS	PICMG 1.0	4	1	0	0	0	AT
PCI-5S2A-RS	PICMG 1.0	4	1	0	0	0	ATX
PE-5S2	PICMG 1.3	0	0	3	0	1	ATX
PE-5S	PICMG 1.3	2	0	0	1	1	ATX
HPE-5S1	PCI/PICOe	4	0	0	0	0	ATX
HPE-5S2	PCI/PICOe	4	0	0	0	0	ATX
HPE-5S3	PCI/PICOe	2	0	2	0	0	ATX
HPXE2-5S1	HPCIE	2	0	0	0	1	ATX

*Only R20 or later versions support PICMG 1.3 backplane.

Ordering Information

Part No.	Description
RACK-500G □ -R21/A618A	5U 5-slot full-size chassis, (black/white), 1 x 8 cm fan, with ACE-A618A-RS-R11 (180W ATX model), RoHS
CA-950G □	19" rack carrier for RACK-500G and RACK-900G, (black/white), RoHS

□ Color Code: B-Black W-White

Power Supply Options

Type	Model No.	Watt
AT	ACE-916AP-RS	150W
ATX	ACE-A618A-RS-R11	180W
	ACE-A225A-R11	250W

RACK-500G supports single 1U height AT type PSU. For more IEI PSU models, please refer to section 5 or visit www.ieiworld.com.

ECA-300

Tower Industrial Chassis

New



Features

- RoHS compliant design
- Supports ATX/microATX motherboard
- Two 5.25" drive bays and one 3.5"/2.5" HDD/SSD bay
- Seven expansion slots

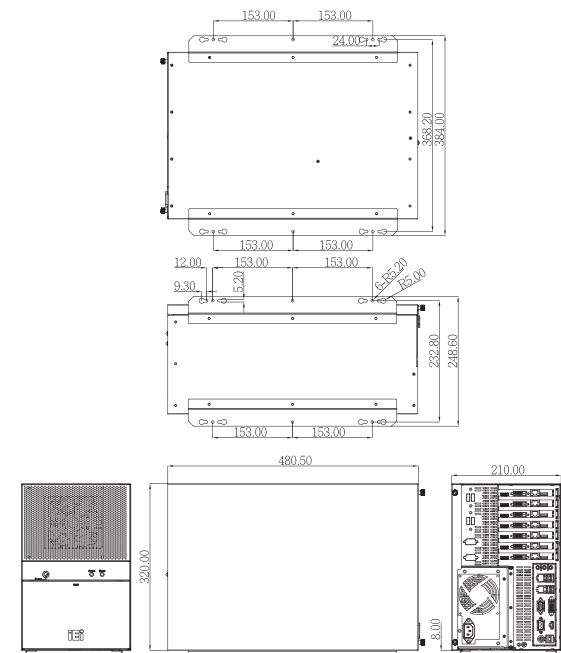
Specifications

◆ Construction	Heavy duty metal
◆ SBC Form Factor	ATX/microATX
◆ PSU	PS/2 ATX power supply
◆ Drive Bays	2 x 5.25" 1 x 3.5"/2.5" HDD/SSD
◆ Cooling Fans	1
◆ I/O Openings	2 x USB 4 x USB 2 x COM
◆ Expansion Slots	7
◆ Indicators	1 x Power LED, 1 x HDD LED
◆ Buttons	1 x Reset button, 1 x Power switch
◆ Installation	Desktop, wall mount
◆ Operating Temperature	-10°C ~ 50°C
◆ Operating Humidity	5% ~ 95%
◆ Color	Silver
◆ Dimensions (DxWxH)	210 mm x 320 mm x 480.5 mm
◆ Operating Vibration	MIL-STD-810F 514.5C-1
◆ Operating Shock	Half-sine wave 3G, 11ms, 100 shocks per axis
◆ Weight (Net/Gross)	TBD

Ordering Information

Part No.	Description
ECA-300-R10	Mini-tower chassis, supports microATX or ATX motherboard, one 3.5" HDD/2.5" SSD bay, two 5.25" CD-ROM bays, supports PS/2 ATX power supply, RoHS

Dimensions (Unit: mm)



Compatible SBC

Model No.	SBC Type	PCI	PCIe			
			x1	x4	x8	x16
IMBA-Q170-i2-R10	ATX	2	0	3	2	0
IMBA-H110-R10	ATX	6	0	0	0	1
IMBA-H810-R10	ATX	4	2	0	0	1
IMBA-Q870-i2-R10	ATX	4	1	1	0	1
IMB-Q870-i2-R10	microATX	1	1	1	0	1
IMB-Q770-R10	microATX	1	1	1	0	1
IMB-H810-i2-R10	microATX	2	1	0	0	1
IMB-H610A-R10	microATX	0	3	0	0	1

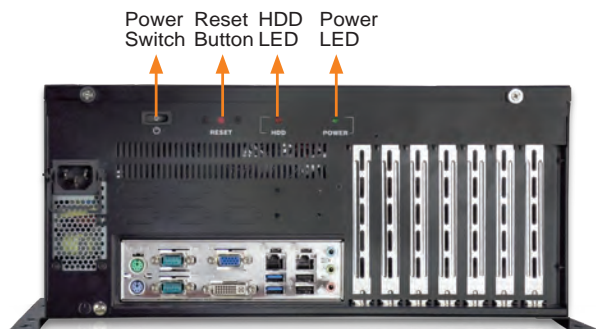
Power Supply Options

Type	Model No.	Watt
ATX	ACE-A160A-R11	600W
	ACE-4840APM-RS	400W
	ACE-A140A-R11	400W
	ACE-A130B-R10	300W

ECA-100

Industrial Chassis

New



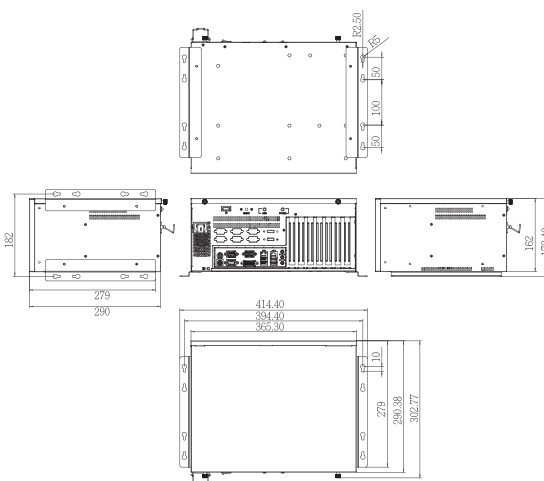
Features

- RoHS compliant design
- Supports ATX/microATX motherboard
- One 3.5" HDD or one 2.5" HDD/SSD bay
- Seven expansion slots

Specifications

◆ Construction	Heavy duty metal
◆ SBC Form Factor	ATX/microATX
◆ PSU	1U flex power supply
◆ Drive Bays	1 x 3.5"/2.5" HDD/SSD Expansion: 1 x 3.5"/2.5" HDD/SSD by the optional ECA-HDD-KIT-R10
◆ Cooling Fans	1
◆ I/O Openings	2 x USB 6 x COM
◆ Expansion Slots	7
◆ Indicators	Power LED, HDD LED
◆ Buttons	Power switch, reset button
◆ Installation	Desktop, wall mount
◆ Operating Temperature	-10°C ~ 50°C
◆ Operating Humidity	5% ~ 95%
◆ Storage Temperature	-20°C ~ 60°C
◆ Color	Black
◆ Dimensions (DxWxH)	365 mm x 291 mm x 162 mm
◆ Operating Vibration	MIL-STD-810F 514.5C-1
◆ Operating Shock	Half-sine wave 3G, 11ms, 100 shocks per axis
◆ Weight (Net/Gross)	TBD

Dimensions (Unit: mm)



Compatible SBC

Model No.	SBC Type	PCI	PCIe			
			x1	x4	x8	x16
IMBA-Q170-i2-R10	ATX	2	0	3	2	0
IMBA-H110-R10	ATX	6	0	0	0	1
IMBA-H810-R10	ATX	4	2	0	0	1
IMBA-Q870-i2-R10	ATX	4	1	1	0	1
IMBA-Q770-R10	ATX	3	2	1	0	1
IMBA-Q670-R30	ATX	4	1	1	0	1
IMBA-H610-R10	ATX	4	2	0	0	1
IMB-Q870-i2-R10	microATX	1	1	1	0	1
IMB-H810-i2-R11	microATX	2	1	0	0	1
IMB-Q770-R10	microATX	1	1	1	0	1
IMB-H810-i2-R10	microATX	2	1	0	0	1
IMB-H610A-R10	microATX	0	3	0	0	1

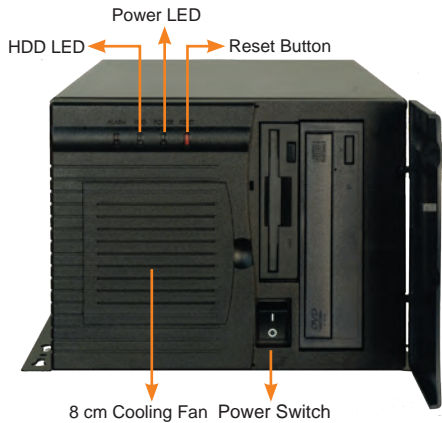
Ordering Information

Part No.	Description
ECA-100-R20	Desktop/wall-mount industrial chassis, supports ATX/microATX motherboard and 1U ATX power supply, black, RoHS
ECA-HDD-KIT-R10	Additional 2.5"/3.5" HDD kit for ECA-100/ECA-200, R10

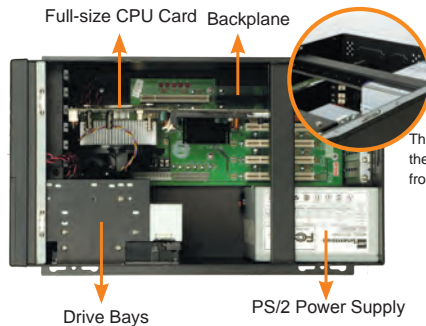
Power Supply Options

Type	Model No.	Watt
ATX	ACE-A615A-RS-R11	150W
	ACE-A618A-RS-R11	180W
	ACE-A622A-RS-R11	220W
	ACE-A627A-RS-R11	270W
	ACE-A630B-RS-R10	300W

PAC-1000G 6-slot Full-size Compact Chassis



CD-ROM and HDD are not included in package



The hold-down clamp is designed to secure the cards within the chassis, protecting them from vibration.



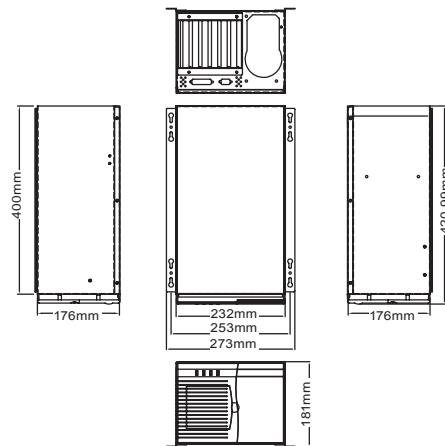
Features

- RoHS compliant design
- One, 8 cm cooling fan with replaceable fan filter
- Plastic front panel with cover door

Specifications

◆ Construction	Metal with plastic front panel
◆ SBC Form Factor	Full-size, slot CPU card
◆ Drive Bays	1 x Front-accessible 3.5" 1 x 5.25" 1 x 3.5" HDD
◆ Cooling Fans	1 x 8 cm
◆ I/O Openings	1 x LPT, 1 x COM
◆ Expansion Slots	6 slots
◆ Indicators	Power, HDD
◆ Buttons	Power switch, reset
◆ Operating Temperature	0°C ~ 50°C
◆ Operating Humidity	10% ~ 90%
◆ Color	B: Black
◆ Weight (Net/Gross)	5.6 kg/8.8 kg
◆ Dimensions (DxWxH)	421 mm x 232 mm x 176 mm

Dimensions (Unit: mm)



Backplane Options

Model No.	SBC Type	PCI	ISA	PCIe				PSU Connector
				x1	x4	x8	x16	
BP-6S-RS	ISA	0	6	0	0	0	0	AT
IP-6S-RS	PCISA	3	2	0	0	0	0	AT
IP-6SA-RS	PCISA	3	2	0	0	0	0	ATX
PCI-6S-RS	PICMG 1.0	4	2	0	0	0	0	AT/ATX
PCI-5S-RS	PICMG 1.0	3	1	0	0	0	0	AT/ATX
PE-6S2*	PICMG 1.3	3	0	0	1	0	1	ATX
PE-6S3*	PICMG 1.3	1	0	3	0	0	1	ATX
SPE-4S	PICMG 1.3	0	0	0	1	2	0	ATX
SPE-6S	PICMG 1.3	0	0	0	5	0	0	ATX

*Only R20 or later versions support PICMG 1.3 backplane

Power Supply Options

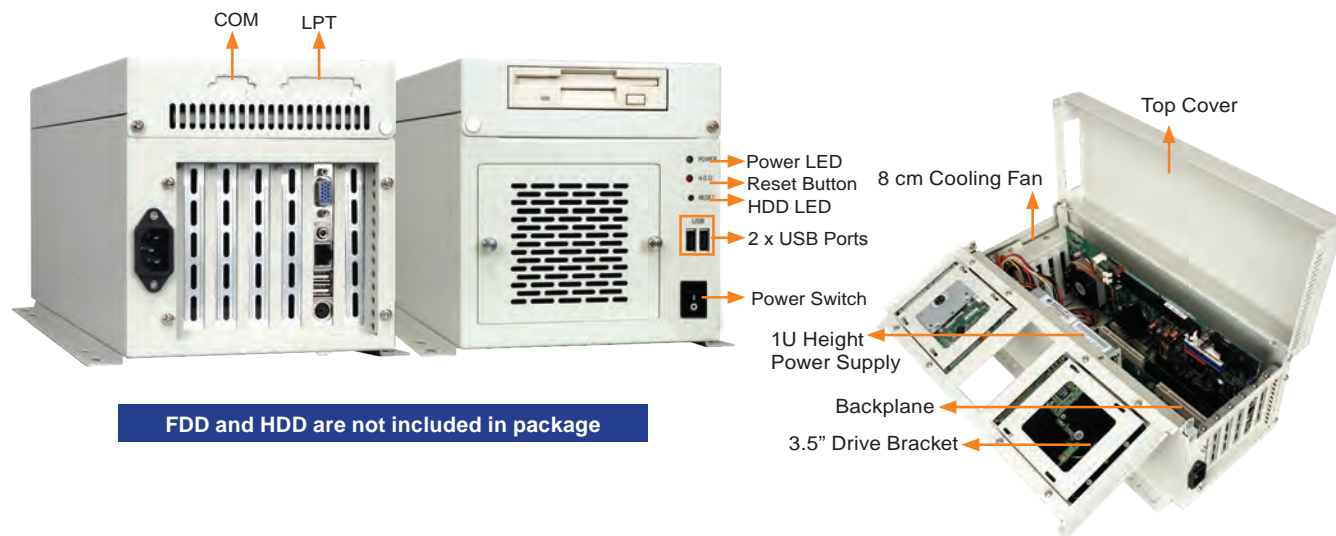
Type	Model No.	Watt
AT	ACE-925AP-U-RS	250W
	ACE-T140A-RS	400W
ATX	ACE-A130B-R10	300W
	ACE-A140A-S-R11	400W
	ACE-828V-RS	250W

PAC-1000G supports single PS/2 PSU. For more IEI PSU models, please refer to section 5 or visit www.ieiworld.com.

Ordering Information

Part No.	Description
PAC-1000GB-R20/A130B	6-slot full-size compact chassis, white, 1 x 8 cm fan, with ACE-A130B-R10 (300W ATX model), RoHS

PAC-106G 6-slot Full-size Compact Chassis



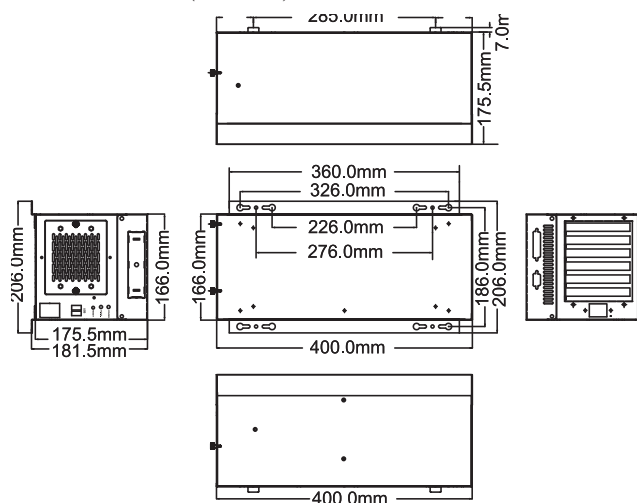
Features

- RoHS compliant design
- Two USB ports on the front panel
- One 3.5" drive bay and one internal 3.5" HDD bay
- One 8 cm cooling fan

Specifications

◆ Construction	Heavy duty metal
◆ SBC Form Factor	Full-size, slot CPU card
◆ Drive Bays	1 x Front-accessible 3.5"
	1 x 3.5" HDD
◆ Cooling Fans	1 x 8 cm
◆ I/O Ports	2 x USB
◆ I/O Openings	1 x COM, 1 x LPT
◆ Expansion Slots	6 slots
◆ Indicators	Power, HDD
◆ Buttons	Power switch, reset
◆ Operating Temperature	0°C ~ 50°C
◆ Operating Humidity	10% ~ 90%
◆ Color	W: White
◆ Weight (Net/Gross)	5.2 kg/7.8 kg
◆ Dimensions (DxWxH)	400 mm x 166 mm x 175.5 mm

Dimensions (Unit: mm)



Backplane Options

Model No.	SBC Type	PCI	ISA	PCIe				PSU Connector
				x1	x4	x8	x16	
BP-6S-RS	ISA	0	6	0	0	0	0	AT
IP-6S-RS	PCISA	3	2	0	0	0	0	AT
IP-6SA-RS	PCISA	3	2	0	0	0	0	ATX
PCI-6S-RS	PICMG 1.0	4	2	0	0	0	0	AT/ATX
*PE-6S2	PICMG 1.3	3	0	0	1	0	1	ATX
*PE-6S3	PICMG 1.3	1	0	3	0	0	1	ATX
SPE-4S	PICMG 1.3	0	0	0	1	2	0	ATX
SPE-6S	PICMG 1.3	0	0	0	5	0	0	ATX

*Only R20 or later versions support PICMG 1.3 backplane

Ordering Information

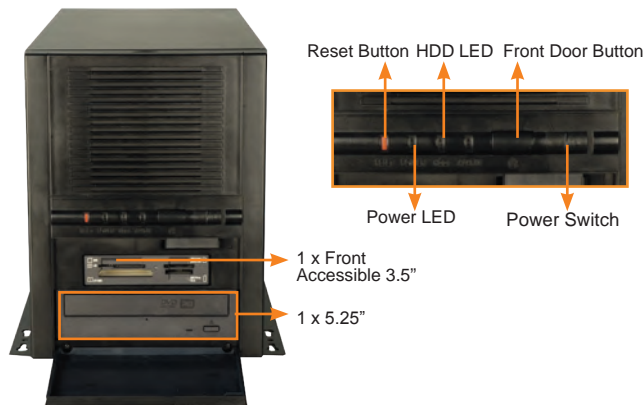
Part No.	Description
PAC-106GW-R21/A618A	6-slot full-size compact chassis, white, 1 x 8 cm fan, with ACE-A618A-RS-R11 (180W ATX model), RoHS

Power Supply Options

Type	Model No.	Watt
AT	ACE-916AP-RS	150W
ATX	ACE-A618A-RS-R11	180W

PAC-106G supports single 1U height PSU. For more I/EI PSU models, please refer to section 5 or visit www.ieiworld.com.

PAC-1700G 7-slot Full-size Compact Chassis



CD-ROM and HDD are not included in package.



Replaceable fan filter

8 cm cooling fan

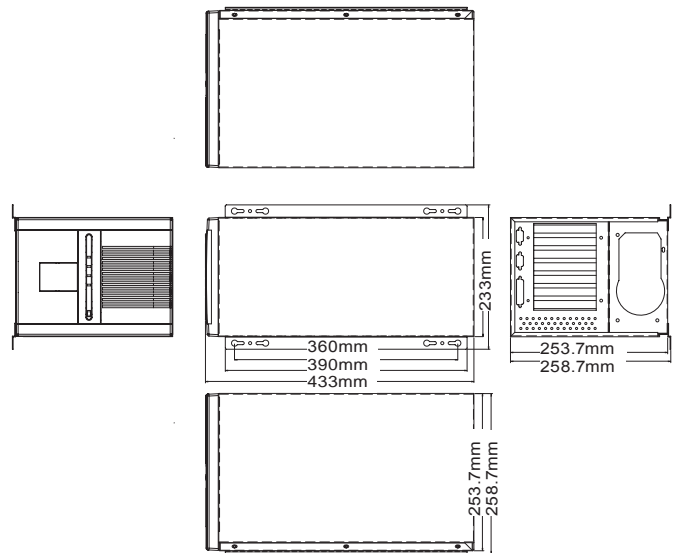
Features

- RoHS compliant design
- One 5.25" and one 3.5" drive bay
- Two 3.5" internal HDD bays
- Seven expansion slots, compatible with full-size SBC
- 7 expansion slots, compatible with full-size SBC

Specifications

◆ Construction	Metal with plastic front panel
◆ SBC Form Factor	Full-size, slot CPU card
◆ Drive Bays	1 x front-accessible 3.5"
	2 x 3.5" HDD
◆ Cooling Fans	1 x 8 cm
◆ I/O Openings	1 x LPT, 2 x COM
◆ Expansion Slots	7 slots
◆ Indicators	Power, HDD
◆ Buttons	Power switch, reset
◆ Operating Temperature	0°C ~ 50°C
◆ Operating Humidity	10% ~ 90%
◆ Color	B: Black
◆ Weight (Net/Gross)	6 kg/8.4 kg
◆ Dimensions (DxWxH)	433 mm x 233 mm x 253.7 mm

Dimensions (Unit: mm)



Backplane Options

Model No.	SBC Type	PCI	ISA	PCIe				PSU Connector
				x1	x4	x8	x16	
PCI-7S-RS	PICMG 1.0	4	3	0	0	0	0	AT/ATX
1PE-7S	PICMG 1.3	3	0	2	0	0	1	ATX
1PE-7S2	PICMG 1.3	1	0	4	0	0	1	ATX
HPE-7S1	PCI/PICoE	4	0	2	0	0	0	ATX
HPXE2-7S1	HPCIE	3	0	0	0	2	0	ATX

*Only R20 or later versions support PICMG 1.3 backplane

Ordering Information

Part No.	Description
PAC-1700GB-R20/A130B	7-slot full-size compact chassis, black, 1 x 8 cm fan, with ACE-A130B-R10 (300W ATX model), RoHS

Power Supply Options

Type	Model No.	Watt
ATX	ACE-A130B-R10	300W
	ACE-A140A-S-R11	400W

PAC-1700G supports single PS/2 PSU. For more IIEI PSU models, please refer to section 5 or visit www.ieiworld.com.

PAC-125G 10-slot Full-size Compact Chassis



CD-ROM and HDD are not included in package

1 x 3.5" HDD

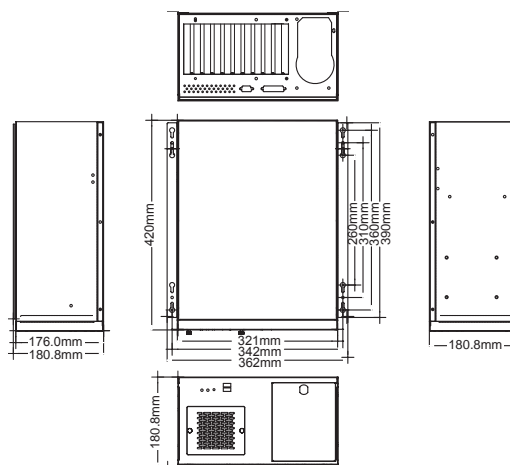
Features

- RoHS compliant design
- Two USB ports on the front panel
- One 80mm x 80mm x 25mm hot swappable cooling fan with fan filter
- 2 x 5.25", 1 x 3.5" HDD, 1 x front-accessible 3.5" drive bays
- Lockable door prevents unauthorized access

Specifications

◆ Construction	Heavy duty metal
◆ SBC Form Factor	Full-size, slot CPU card
◆ Drive Bays	2 x 5.25"
	1 x Front accessible 3.5"
	1 x 3.5" HDD
◆ Cooling Fans	80mm x 80mm x 25mm
◆ I/O Ports	2 x USB
◆ I/O Openings	1 x LPT, 1 x COM
◆ Expansion Slots	10 slots
◆ Indicators	Power, HDD
◆ Buttons	Power switch, reset
◆ Operating Temperature	0°C ~ 50°C
◆ Operating Humidity	10% ~ 90%
◆ Color	W: White
◆ Weight (Net/Gross)	7.2 kg/10.4 kg
◆ Dimensions (DxWxH)	420 mm x 321 mm x 176 mm

Dimensions (Unit: mm)



Backplane Options

Model No.	SBC Type	PCI	ISA	PCIX	PCIe				PSU Connector
					x1	x4	x8	x16	
BP-10S-RS	ISA	0	10	0	0	0	0	0	AT
PCI-10S-RS	PICMG 1.0	4	5	0	0	0	0	0	AT/ATX
PX-10S-RS	PICMG 1.0	7	3	0	0	0	0	0	AT/ATX
IP-8S-RS	PCISA	4	3	0	0	0	0	0	AT/ATX
IP-10S-RS	PCISA	4	5	0	0	0	0	0	AT/ATX
IPX-9S-RS	PCISA	8	0	0	0	0	0	0	AT/ATX
HPE-8S	PCI/PIC0e	4	0	0	2	0	0	0	ATX
PE-6S	PICMG 1.3	2	0	0	2	0	0	1	ATX
PE-8S ¹	PICMG 1.3	3	0	0	3	0	0	1	ATX
SPXE-9S	PICMG 1.3	2	0	2	0	2	1	0	ATX
SPE-9S	PICMG 1.3	3	0	0	0	3	1	0	ATX

¹Only R20 or later versions support PICMG 1.3 backplane

Ordering Information

Part No.	Description
PAC-125GW-R22/A130B	10-slot full-size compact chassis, white, 1 x 8cm fan, with ACE-A130B-R10 (300W ATX model), RoHS
PAC-125GW-R22/ACE-925AP	10-slot full-size chassis, white, with ACE-925AP PSU (200W), RoHS

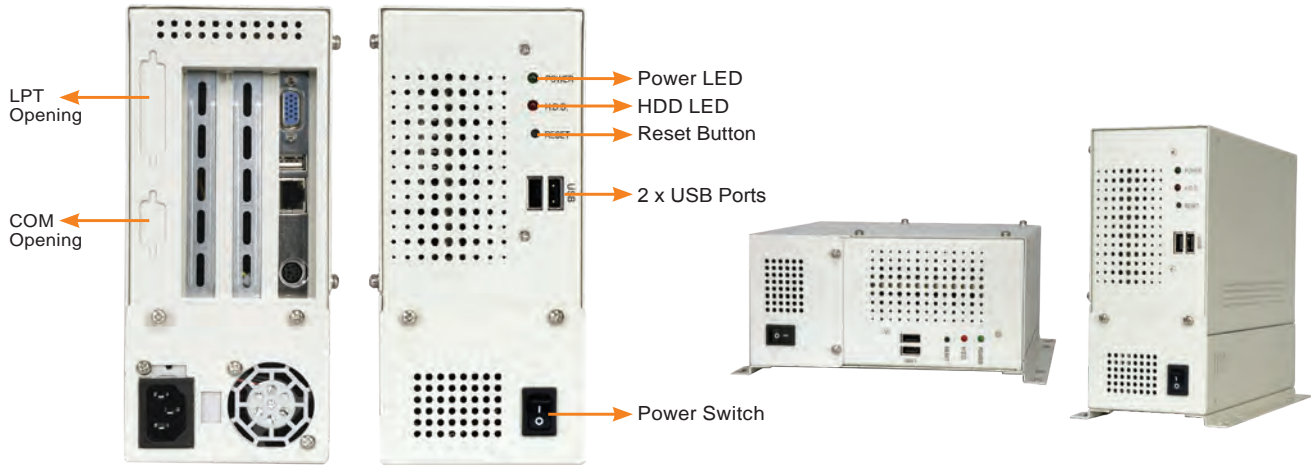
Power Supply Options

Type	Model No.	Watt
AT	ACE-925AP-U-RS	250W
	ACE-935AL-RS	300W
ATX	ACE-A130B-R10	300W
	ACE-A140A-S-R11	400W
	ACE-A160A-R11	600W

PAC-125G supports single PS/2 PSU. For more I/EI PSU models, please refer to section 5 or visit www.ieiworld.com.

PAC-53GH

3-slot Half-size Compact Chassis



HDD is not included in package

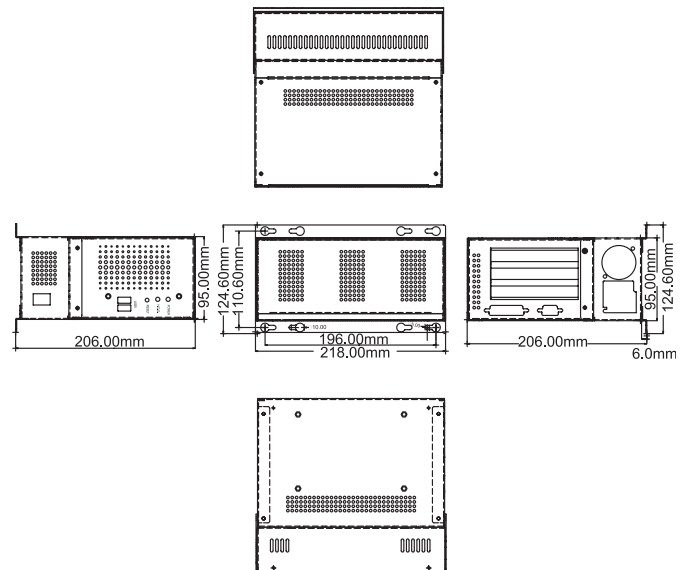
Features

- RoHS compliant design
- Two USB ports on the front panel
- One 2.5" internal HDD bay

Specifications

◆ Construction	Heavy duty metal
◆ SBC Form Factor	Half-size, slot CPU cards
◆ Drive Bays	1 x 2.5" HDD
◆ I/O Ports	2 x USB
◆ I/O Openings	1 x LPT, 1 x COM
◆ Expansion Slots	3 slots
◆ Indicators	Power, HDD
◆ Buttons	Power switch, reset
◆ Operating Temperature	0°C ~ 50°C
◆ Operation Humidity	10% ~ 90%
◆ Color	W: White
◆ Weight (Net/Gross)	2 kg/3.8 kg
◆ Dimensions (DxWxH)	218 mm x 95 mm x 200 mm

Dimensions (Unit: mm)



Backplane Options

Model No.	SBC Type	PCI	ISA	PCIe			PSU Connector
				x1	x4	x16	
BP-3S-RS	ISA	0	3	0	0	0	AT
IP-3S-RS	PCISA	2	0	0	0	0	AT
IP-3SA-RS	PCISA	2	0	0	0	0	ATX

Ordering Information

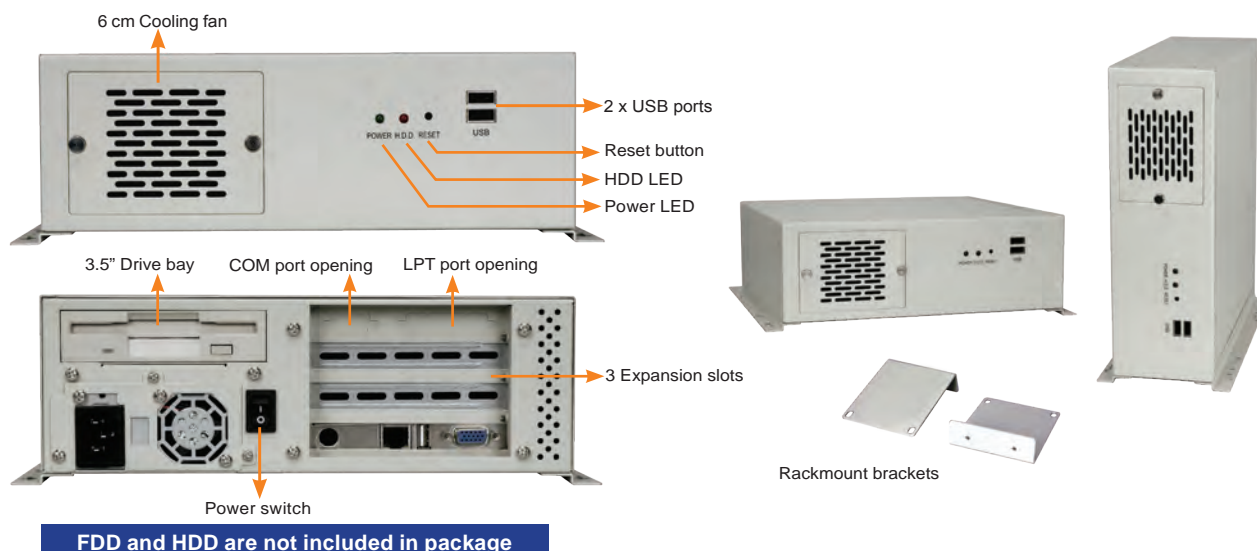
Part No.	Description
PAC-53GHW-R11/916AP/IP-3S	3-slot half-size chassis, with ACE-916AP-RS and IP-3S-RS-R40, RoHS
PAC-53GHW-R11/916AP/BP-3S	3-slot half-size chassis, with ACE-916AP-RS and BP-3S-RS-R40, RoHS
PAC-53GHW-R11/A618A	3-slot half-size compact chassis, white, with ACE-A618A-RS-R11 (180W ATX model), RoHS

Power Supply Options

Type	Model No.	Watt
AT	ACE-916AP-RS	150W
ATX	ACE-A618A-RS-R11	180W
	ACE-4520C-RS	200W

PAC-53GH supports single 1U height PSU. For more IEI PSU models, please refer to section 5 or visit www.ieiworld.com.

PR-1300G 3-slot Half-size Compact Chassis



Features

- ◆ RoHS compliant design
- ◆ One 3.5" drive bay
- ◆ Two USB ports on the front panel
- ◆ One, 6 cm cooling fan

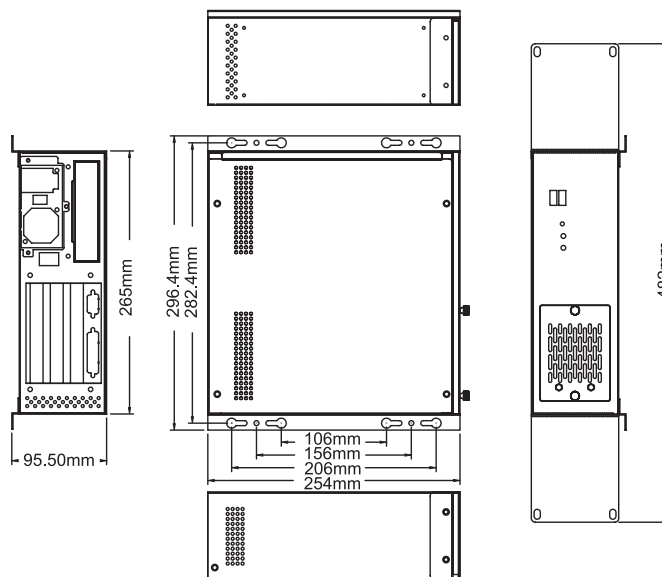
Specifications

◆ Construction	Heavy duty metal
◆ SBC Form Factor	Half-size, slot SBC
◆ Drive Bays	1 x 3.5" (front accessible/HDD)
◆ Cooling Fans	1 x 6 cm
◆ I/O Ports	2 x USB
◆ I/O Openings	1 x LPT, 1 x COM
◆ Expansion Slots	3 slots
◆ Indicators	Power, HDD
◆ Buttons	Power switch, reset
◆ Operating Temperature	0°C ~ 50°C
◆ Operation Humidity	10% ~ 90%
◆ Color	W: White
◆ Weight (Net/Gross)	2.6 kg/5.2 kg
◆ Dimensions (DxWxH)	254 mm x 265 mm x 95.5 mm

Ordering Information

Part No.	Description
PR-1300GW-R11	3-Slot Half size Chassis, White color, W/O BP, W/O PSU, RoHS
PR-1300GW-R11/916AP/BP-3S	3-slot Half-size chassis, white, with ACE-916AP-RS and BP-3S-RS-R30, RoHS
PR-1300GW-R11/916AP/IP-3S	3-slot Half-size chassis, white, with ACE-916AP-RS and IP-3S-RS-R30, RoHS
PR-1300GW-R11/A618A	3-slot Half-size Compact Chassis, White, 1 x 6cm fan, with ACE-A618A-RS-R11 (180W ATX model), RoHS

Dimensions (measurement units: millimeter)



Backplane Options

Model No.	SBC Type	PCI	ISA	PCIe			PSU Connector
				x1	x4	x16	
BP-3S-RS	ISA	0	3	0	0	0	AT
IP-3S-RS	PCISA	2	0	0	0	0	AT
IP-3SA-RS	PCISA	2	0	0	0	0	ATX
HPE-3S1	PICO/PIC0e	2	0	0	0	0	ATX
HPE-3S2	PICO/PIC0e	1	0	0	1	0	ATX

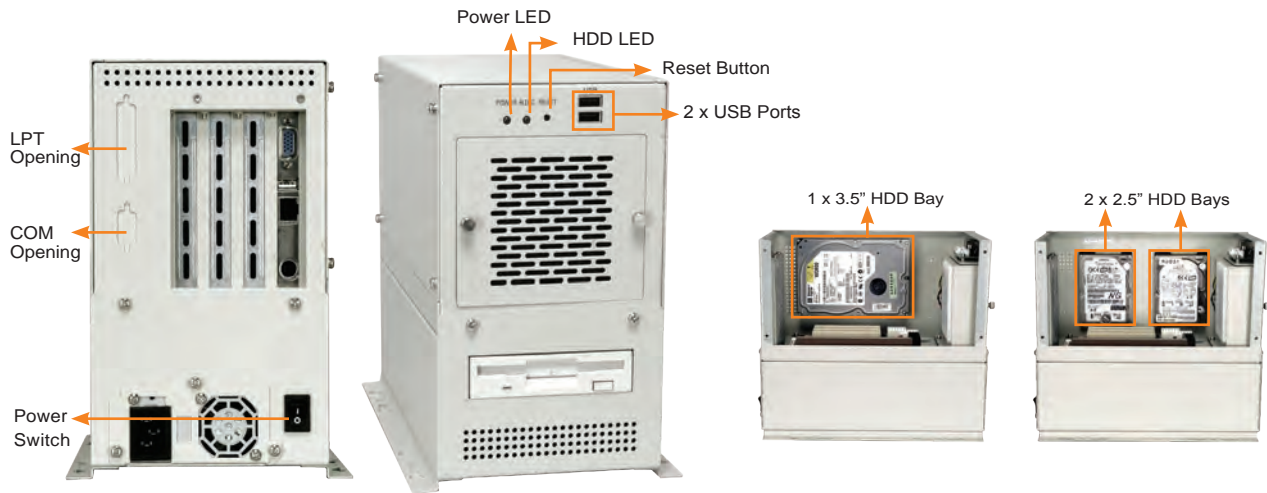
Power Supply Options

Type	Model No.	Watt
AT	ACE-916AP-RS	150W
ATX	ACE-A618A-RS-R11	180W

PR-1300G supports single 1U height PSU. For more IEI PSU models, please refer to section 5 or visit www.ieiworld.com.

PAC-42GH

4-slot Half-size Compact Chassis



FDD and HDD are not included in package

Features

- Two USB ports on the front panel
- One 8 cm cooling fan with replaceable filter
- Supports one 3.5" HDD or two 2.5" HDDs

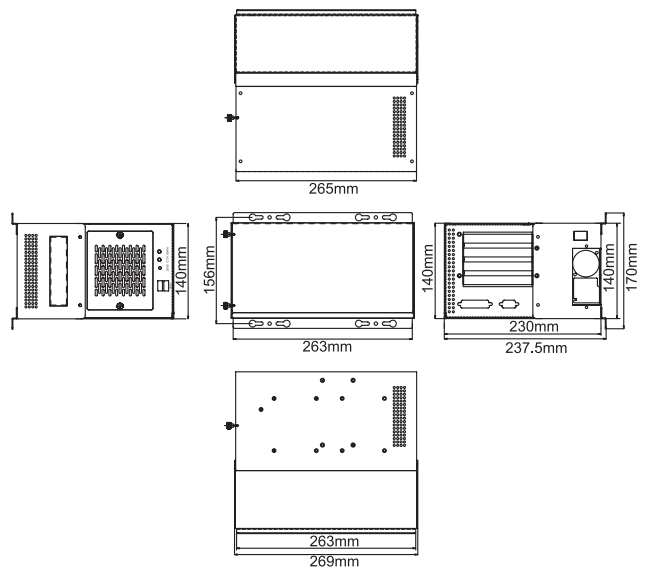
Specifications

◆ Construction	Heavy duty metal
◆ SBC Form Factor	Half-size, slot CPU cards
◆ Drive Combinatons	1 x Front-accessible 3.5" and 1 x 3.5" HDD or 1 x Front-accessible 3.5" and 2 x 2.5" HDD
◆ Cooling Fans	1 x 8 cm
◆ I/O Ports	2 x USB
◆ I/O Openings	1 x LPT, 1 x COM
◆ Expansion Slots	4 slots
◆ Indicators	Power, HDD
◆ Buttons	Power switch, reset
◆ Operating Temperature	0°C ~ 50°C
◆ Operating Humidity	10% ~ 90%
◆ Color	W: White
◆ Weight (Net/Gross)	3.9 kg/6.1 kg
◆ Dimensions (DxWxH)	269 mm x 140 mm x 230 mm

Ordering Information

Part No.	Description
PAC-42GHW-R11/916AP/IP-4S	4-slot half-size chassis with ACE-916AP-RS and IP-4S-RS-R40, RoHS
PAC-42GHW-R11/916AP/BP-4S	4-slot half-size chassis with ACE-916AP-RS and BP-4S-RS-R40, RoHS
PAC-42GHW-R11/916AP/IP-4S2	4-slot half-size chassis with ACE-916AP-RS and IP-4S2-RS-R40, RoHS
PAC-42GHWPX-R11/A618A	4-slot half-size compact chassis, white, 1 x 8 cm fan, with ACE-A618A-RS-R11 (180W ATX model), RoHS

Dimensions (Unit: mm)



Backplane Options

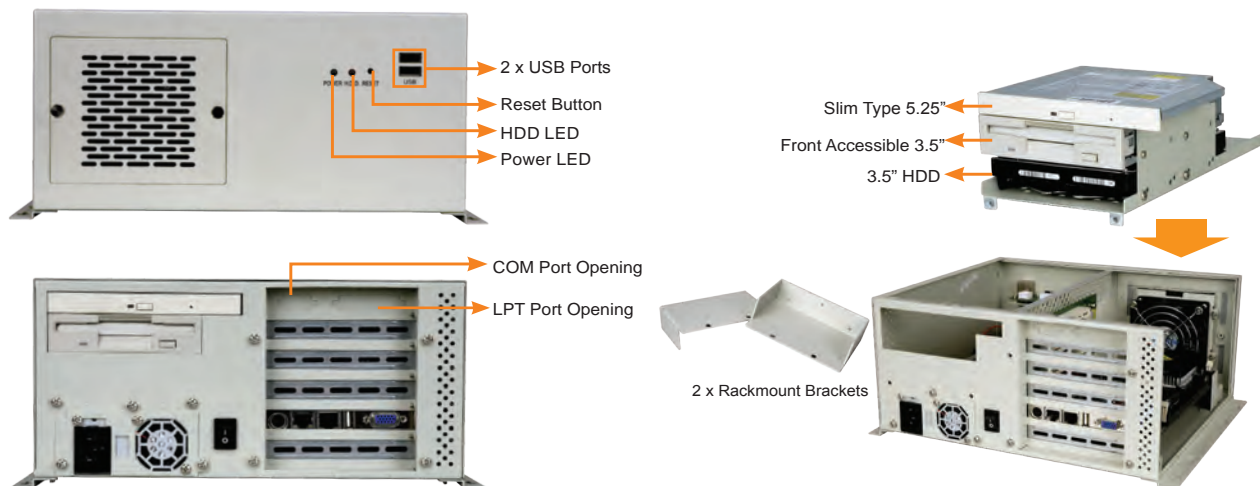
Model No.	SBC Type	PCI	ISA	PCIe			PSU Connector
				x1	x4	x16	
BP-4S-RS	ISA	0	4	0	0	0	AT
IP-4S-RS	PCISA	3	0	0	0	0	AT
IP-4S2-RS	PCISA	2	1	0	0	0	AT
IP-4S3-RS	PCISA	0	3	0	0	0	AT
IP-4S4-RS	PCISA	0	3	0	0	0	AT
IP-4SA-RS	PCISA	3	0	0	0	0	ATX
HPE-4S1	PCI/PICoE	3	0	0	0	0	ATX
HPE-4S2	PCI/PICoE	2	0	0	1	0	ATX

Power Supply Options

Type	Model No.	Watt
AT	ACE-916AP-RS	150W
ATX	ACE-A618A-RS-R11	180W

PAC-42GH supports single 1U height PSU. For more IEI PSU models, please refer to section 5 or visit www.ieiworld.com.

PR-1500G 5-slot Half-size Compact Chassis



CD-ROM and HDD are not included in package.

Features

- RoHS compliant design
- One slim type 5.25" drive bay
- One 3.5" drive bay and one internal 3.5" HDD bay
- Two USB ports on the front panel
- One 8 cm cooling fan

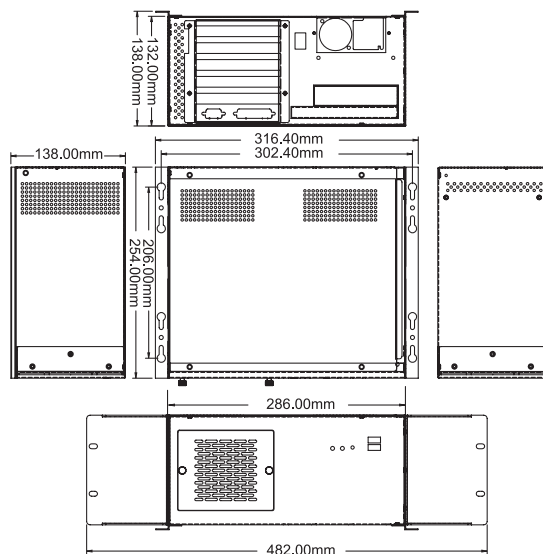
Specifications

◆ Construction	Heavy duty metal
◆ SBC Form Factor	Half-size, slot SBC
◆ Drive Bays	1 x 3.5" HDD 1 x Front accessible 3.5" 1 x Slim 5.25"
◆ Cooling Fans	1 x 8 cm
◆ I/O Ports	2 x USB
◆ I/O Openings	1 x LPT, 1 x COM
◆ Expansion Slots	5 slots
◆ Indicators	Power, HDD
◆ Buttons	Power switch, reset
◆ Operating Temperature	0°C ~ 50°C
◆ Operating Humidity	10% ~ 90%
◆ Color	W: White
◆ Weight (Net/Gross)	3.6 kg/6.2 kg
◆ Dimensions (DxWxH)	254 mm x 286 mm x 132 mm

Ordering Information

Part No.	Description
PR-1500GW-R12/916AP	5-slot half-size chassis, white, with ACE-916AP-RS, RoHS
PR-1500GW-R12/A618A	5-slot half-size compact chassis, white, 1 x 8 cm fan, with ACE-A618A-RS-R11 (180W ATX model), RoHS

Dimensions (Unit: mm)



Backplane Options

Model No.	SBC Type	PCI	ISA	PCIe			PSU Connector
				x1	x4	x16	
BP-5S-RS	ISA	0	5	0	0	0	AT
IP-5S2-RS	PCISA	4	0	0	0	0	AT
IP-5SA-RS	PCISA	3	1	0	0	0	ATX
IP-5SA2-RS	PCISA	4	1	0	0	0	ATX
HPE-5S1	PICO/PICoE	4	0	0	0	0	ATX
HPE-5S2	PICO/PICoE	3	0	0	1	0	ATX
HPE-5S3	PICO/PICoE	2	0	2	0	0	ATX
HPXE2-5S1	HPCIE	2	0	0	0	1	ATX

Power Supply Options

Type	Model No.	Watt
AT	ACE-916AP-RS	150W
	ACE-A618A-RS-R11	180W
ATX	ACE-A225A-R11	250W

PR-1500G supports single 1U height PSU. For more I/EI PSU models, please refer to section 5 or visit www.ieiworld.com.

PAC-400G

5-slot Half-size Compact Chassis



3.5" SATA removable drive bay compatible

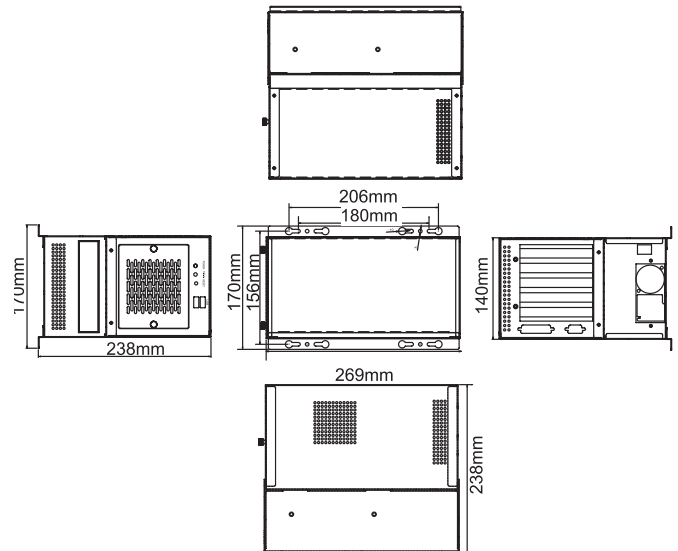
Features

- RoHS compliant design
- Two USB ports on the front panel
- One 8 cm hot swappable fan
- One 3.5" internal HDD bay
- One 3.5" drive bay, for optional removable drive
- Supports Pentium® 4 half-size CPU card

Specifications

◆ Construction	Heavy duty metal
◆ SBC Form Factor	Half-size, slot SBC
◆ Drive Bays	1 x 3.5" HDD
◆ Cooling Fans	1 x 8 cm
◆ I/O Ports	2 x USB
◆ I/O Openings	1 x LPT, 1 x COM
◆ Expansion Slots	5 slots
◆ Indicators	Power, HDD
◆ Buttons	Power switch, reset
◆ Operating Temperature	0°C ~ 50°C
◆ Operation Humidity	10% ~ 90%
◆ Color	W: White
◆ Weight (Net/Gross)	3.8 kg/5.6 kg
◆ Dimensions (DxWxH)	269 mm x 140 mm x 230.5mm

Dimensions (Unit: mm)



Backplane Options

Model No.	SBC Type	PCI	ISA	PCIe			PSU Connector
				x1	x4	x16	
BP-4S-RS	ISA	0	4	0	0	0	AT
IP-4S-RS	PCISA	3	0	0	0	0	AT
IP-4S2-RS	PCISA	2	1	0	0	0	AT
IP-4S3-RS	PCISA	0	3	0	0	0	AT
IP-4S4-RS	PCISA	0	3	0	0	0	AT
IP-4SA-RS	PCISA	3	0	0	0	0	ATX
IP-4S2A-RS	PCISA	3	0	0	0	0	ATX
HPE-4S1	PCI/PICoE	3	0	0	0	0	ATX
HPE-4S2	PCI/PICoE	2	0	0	1	0	ATX

Ordering Information

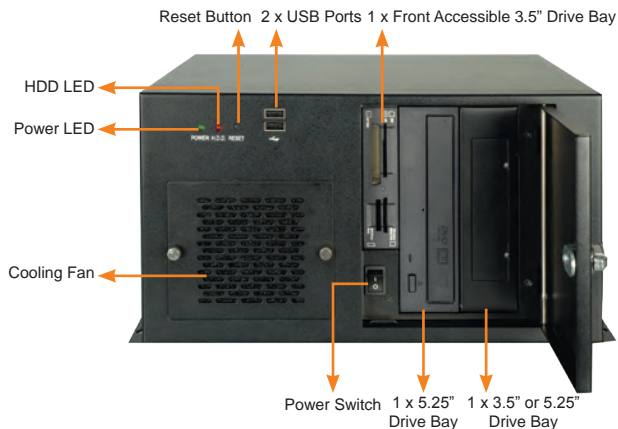
Part No.	Description
PAC-400GW-R11/916AP	5-slot half-size chassis, white, with ACE-916AP-RS, RoHS
PAC-400GW-R11/A618A	5-slot half-size compact chassis, white, 1 x 8 cm fan, with ACE-A618A-RS-R11 (180W ATX model), RoHS
7G000-ST1110L-RS	3.5" SATA removable drive bay with keylock, white, RoHS

Power Supply Options

Type	Model No.	Watt
AT	ACE-916AP-RS	150W
ATX	ACE-A618A-RS-R11	180W

PAC-400G supports single 1U height PSU. For more IEI PSU models, please refer to section 5 or visit www.ieiworld.com.

PAC-700G 7-slot Half-size Compact Chassis



CD-ROM, and HDD are not included in package.



Easy hot-swappable fan



Step 1: Loosen the thumb screws
 Step 2: Pull the fan out gently
 Step 3: Unplug the power connector

Features

- RoHS compliant design
- Two USB ports on the front panel
- One, 8 cm cooling fan with fan filter
- Easy access design for quick fan replacement
- Lockable door prevents unauthorized access

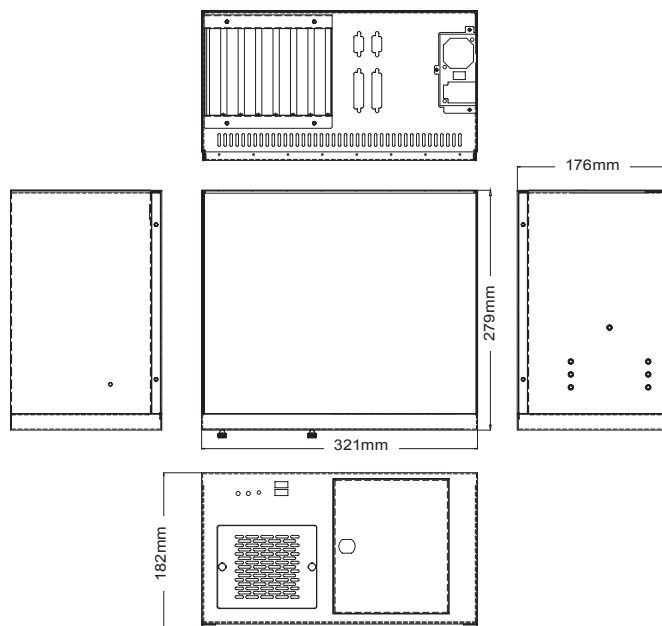
Specifications

◆ Construction	Heavy duty metal
◆ SBC Form Factor	Half-size, slot CPU card
◆ Drive Combinations	2 x 5.25" + 1 x Front accessible 3.5" or 1 x 5.25" + 2 x Front accessible 3.5" or 1 x 5.25" + 1 x Front accessible 3.5" + 1 x 3.5" HDD
◆ Cooling Fans	1 x 8 cm
◆ I/O Ports	2 x USB on front panel
◆ I/O Openings	2 x LPT, 2 x COM
◆ Expansion Slots	7 slots
◆ Indicators	Power, HDD
◆ Buttons	Power switch, reset
◆ Operating Temperature	0°C ~ 50°C
◆ Operating Humidity	10% ~ 90%
◆ Color	B: Black
◆ Weight (Net/Gross)	6.2 kg/9 kg
◆ Dimensions (DxWxH)	279 mm x 321 mm x 176 mm

Ordering Information

Part No.	Description
PAC-700GB-R11/BP-7S/916AP	7-slot half-size chassis, with BP-7S-RS-R30 and ACE-916AP-RS
PAC-700GB-R11/IP-7S/916AP	7-slot half-size chassis, with IP-7S-RS-R30 and ACE-916AP-RS
PAC-700GB-R11/A618A	7-slot half-size compact chassis, black, 1 x 8 cm fan, with ACE-A618A-RS-R11 (180W ATX model), RoHS

Dimensions (Unit: mm)



Backplane Options

Model No.	SBC Type	PCI	ISA	PCIe				PSU Connector
				x1	x4	x8	x16	
BP-7S-RS	ISA	0	7	0	0	0	0	AT
IP-7S-RS	PCISA	4	2	0	0	0	0	AT
IP-7SA-RS	PCISA	4	2	0	0	0	0	ATX
HPE-7S1	PCI/PICoE	4	0	2	0	0	0	ATX
HPXE2-7S1	HPCIE	3	0	0	0	2	0	ATX

Power Supply Options

Type	Model No.	Watt
ATX	ACE-916AP-RS	150W
	ACE-A618A-RS-R11	180W
	ACE-A225A-R11	250W

PAC-700G supports single 1U height PSU. For more I/EI PSU models, please refer to section 5 or visit www.ieiworld.com.