

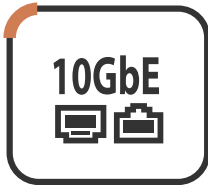
4K HDR SDVoE IP Combo Transceiver



Support 10GbE Copper & Fiber

iSDV-200CTR

IEI iSDV-200CTR is a high performance, zero latency, and 4K@60Hz (4:4:4) AV over IP video. With its 10GbE combo port design, the iSDV-200CTR allows streaming over copper cable or fiber cable in one single device. As a leading 4K video streaming transceiver, the iSDV-200CTR delivers advanced capabilities for live event, video wall or situation room.



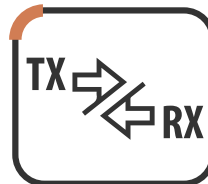
• 10GbE Combo Port
Both RJ45 and SFP+ support for flexible application usage in one device



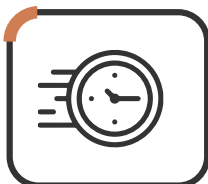
• Free Software, Flex Utility
Flexible management for TX/ RX configurations and applications



• Management Visualization
LCD display shows the IP address of the device, enabling visualization for easy on-site setup



• 4K Video Streaming Transceiver
Combining Tx and Rx functions

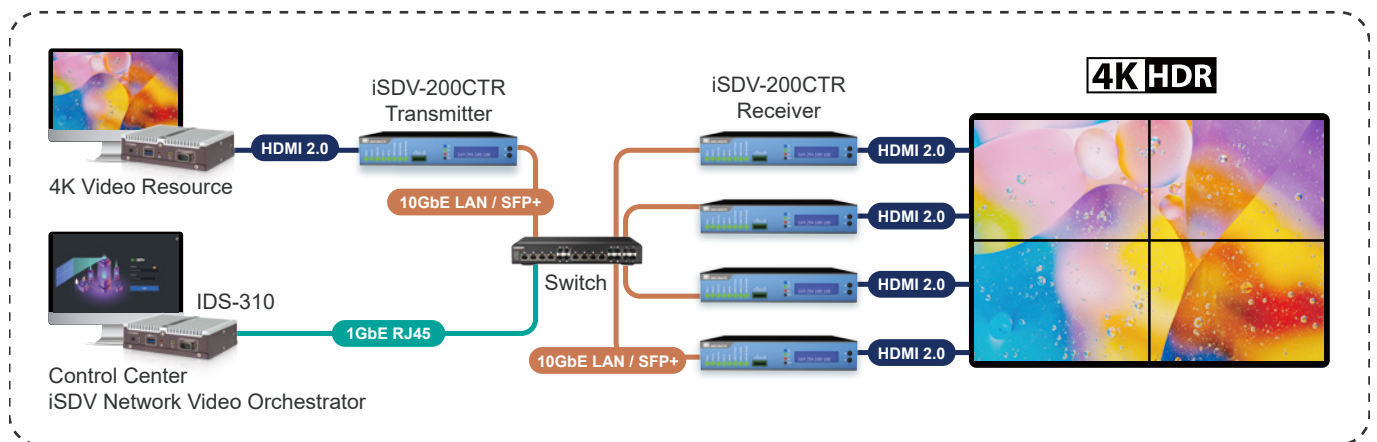


• Zero Latency
Zero latency extension and switching for 4K video

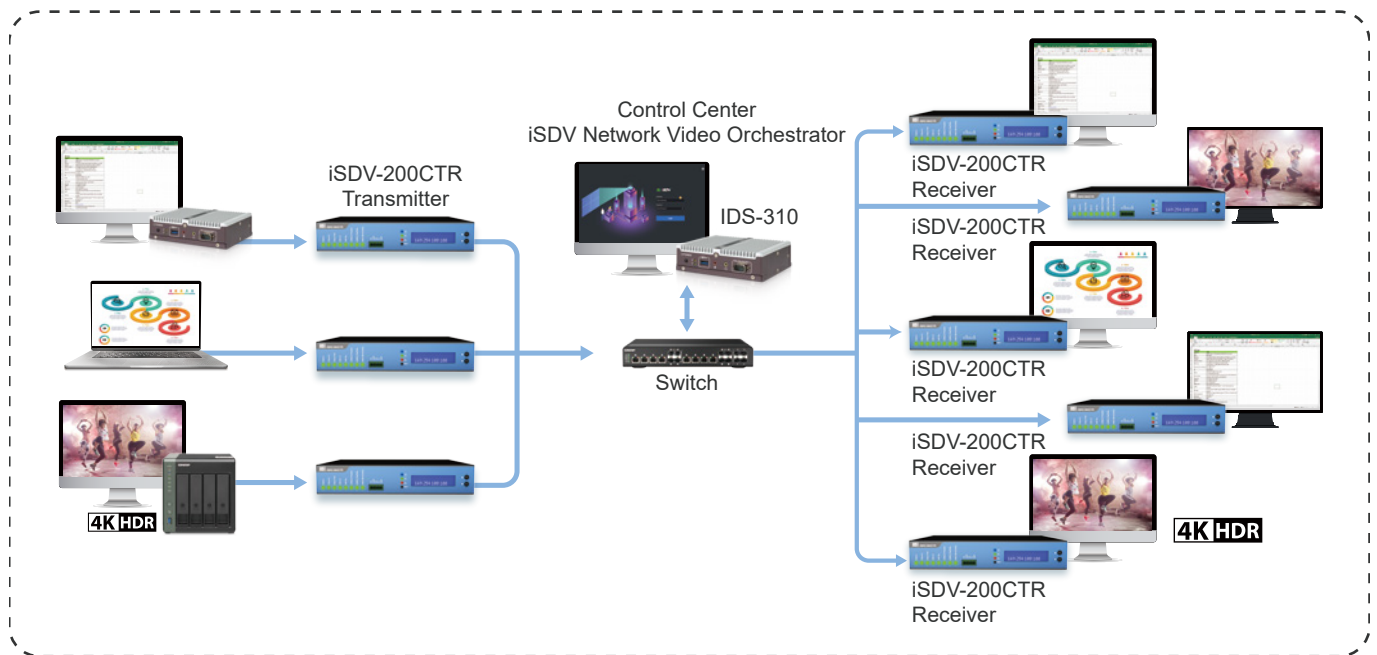


• High Performance
BlueRiver AVP2000T AV Processor

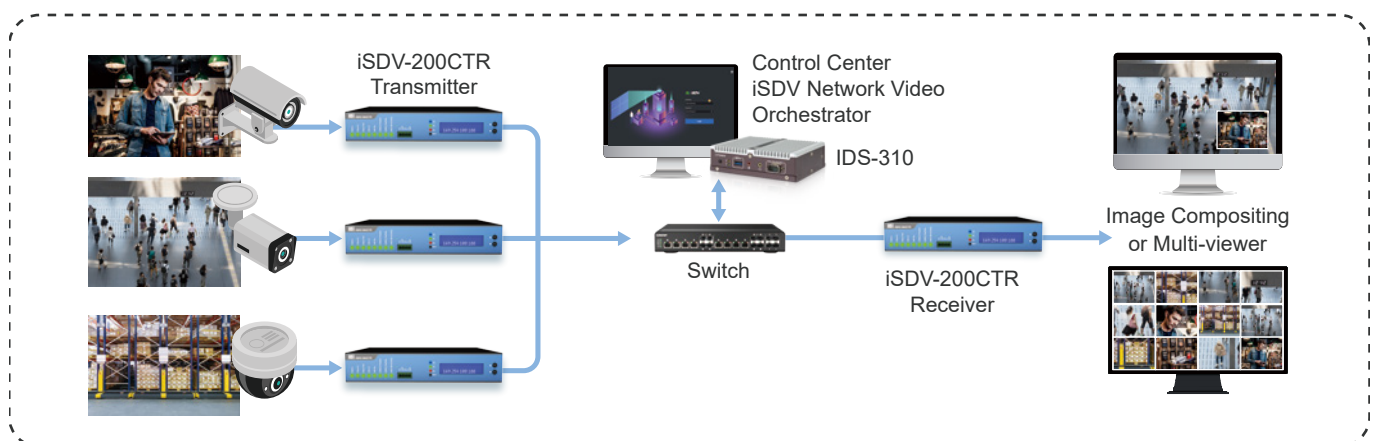
• SDVoE 4K Video Wall Solution



• Fast and Stable Switching Solution



• Powerful Multi Viewer Solution



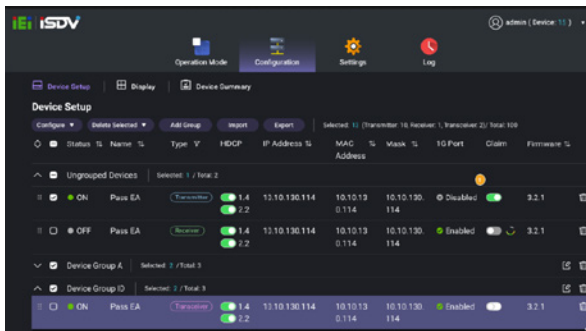
iSDV Network Video Orchestrator

» Simple System Management with Free Software

Simply login the iSDV Network Video Orchestrator, a free software and free installation, to manage all your iSDV devices from a central console. The free software can be easily implemented in different platforms, such as Windows 10/11 WSL2+, Ubuntu 18.04 LTS+, QNAP NAS QTS 4/5. It has intuitive user interface, allowing you to setup the mode of Tx/Rx, quickly configure display array or other settings, and check the status of all devices in real-time.

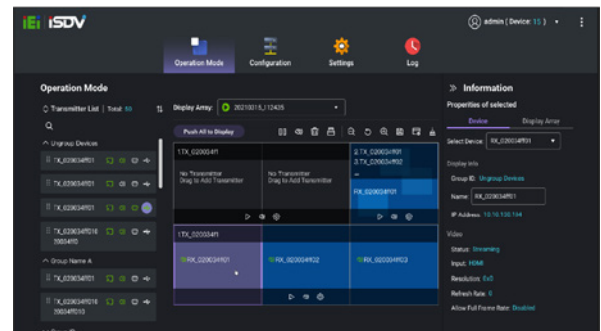
- Free source and free installation
- Simple installation procedure and user interface design
- Compliant with various OS: Windows 10/11 WSL2+, Ubuntu 18.04 LTS+, QNAP NAS QTS 4/5

» Software Features



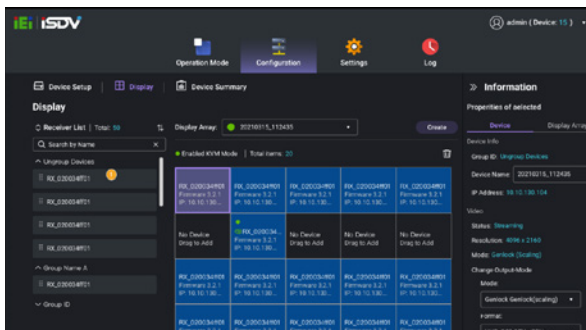
• iSDV Device Setup:

To manage the configuration of Group, Devices, Audio, RS232, Hardware or Firmware Update



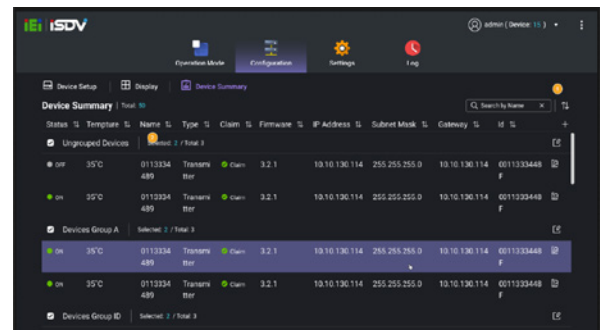
• iSDV Display Configuration:

To create display array and setup receiver position



• iSDV Transmitter & Receiver Routing Setup:

To set up display property and execute settings to start video streaming



• Real-time Status of iSDV Devices:

Offer data visualization and summary of all iSDV devices

iSDV-200CTR



Feature

- Encoder/Decoder hybrid and copper/fiber combo device
- Visualization hardware design for IP management
- Flexible software, iSDV Network Video Orchestrator, for TX/RX configuration and applications

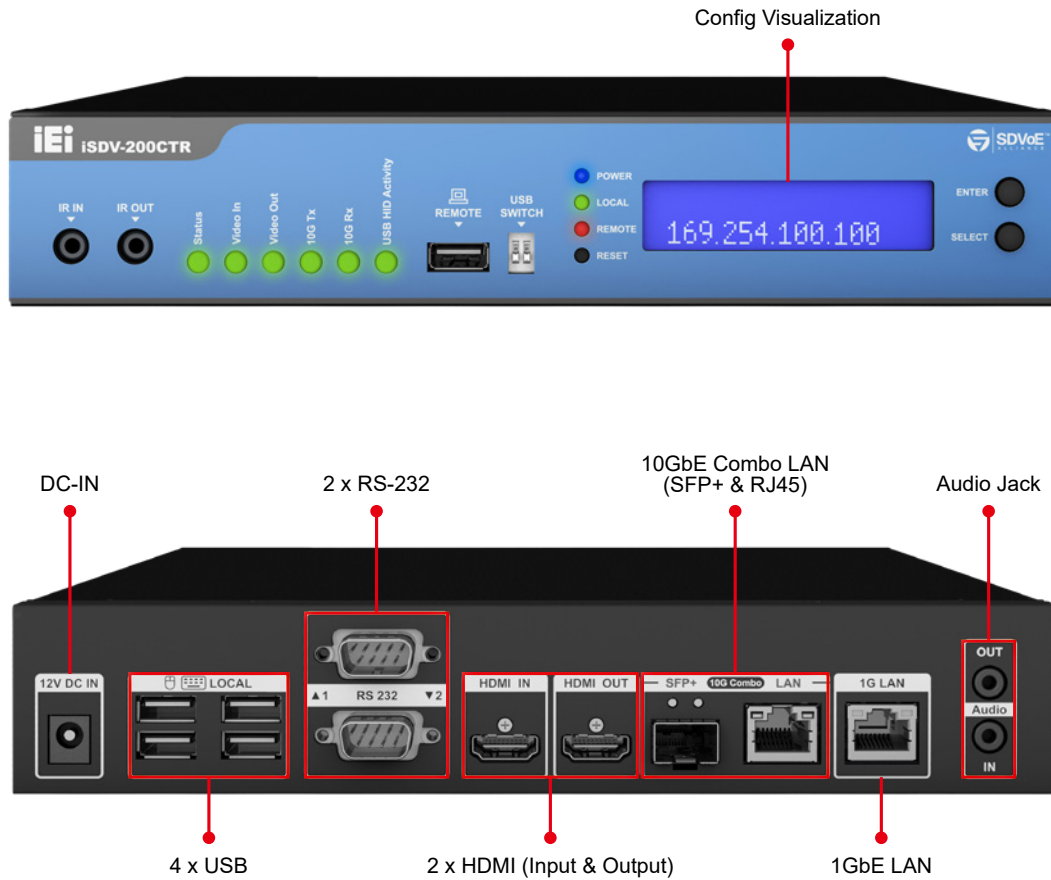
Application

- Flexible transmitter/receiver mode configuration via iSDV Network Video Orchestrator software
- 4K video wall / switching / multi viewer / KVM

Specifications

Model Name	iSDV-200CTR
Description	4K HDR SDVoE IP combo transceiver supports 10G copper & fiber
Memory	2 x 128M16 DDR3 onboard
Video Interfaces	HDMI 2.0 supporting all resolutions up to 594MHz 4K60 RGB and 4:4:4 8-bit 4K60 4:2:2 10-bit for broadcast and medical applications 4K60 4:2:0 10-bit and 12-bit HDR
I/O Ports	1 x 1GbE LAN 1 x 10GbE LAN 1 x 10GbE SFP+ 1 x IR in 1 x IR out 1 x HDMI 2.0 in 1 x HDMI 2.0 out 1 x 3.5mm audio-in jack 1 x 3.5mm audio-out jack 4 x USB HID 2 x RS-232 6 x LED indicator 1 x Reset button 1 x USB switch
LCD	1 x Monochrome LCD (65 x 15 mm)
Application Mode	Transmitter / Receiver Extension / Switching / Video Wall / Multi Viewer / KVM supported
Dimension (WxDxH)	238 x 166 x 44.5 mm
Weight	1235g
Operating Humidity	20% ~ 95%, non-condensing
Operation Temperature	-20°C ~ 50°C w/o air flow -20°C ~ 60°C w/ air flow
Power	12VDC In, 3.3A
Safety & EMC	CE, FCC, CCC Certificated
Software	Free management software (iSDV Network Video Orchestrator) supported
Supported OS	Microsoft® Windows 10/11 WSL2, Linux Ubuntu 18.04 LTS+

Fully Integrated I/O



iSDV-200CTR

Dimensions (Unit: mm)



Ordering Information

Part No.	Description
iSDV-BX01-R10	SDVoE Transmitter & Receiver, Semtech BlueRiver® AXP2000T, two 128M16 DDR3, one 1GbE RJ45, one 10GbE RJ45, one 10GbE SFP+, one IR, two HDMI 2.0, one 3.5mm audio jack, two USB 2.0, one RS-232, RoHS