

Light Industrial Panel Solution

AFOLUX PPC



Today, more and more customers are looking for advanced services such as round-the-clock service or just-in-time delivery. Service automation enables the exchange of information and communication between administrators and clients through the thin, low power consumption portable devices that fit with many circumstances. Upgrade your service platform with IEL service automation solutions, which have advanced communication functions and solid mechanical characteristics. These solutions help you keep up with your customers while staying a step ahead of the competition.

» Light Industrial Panel PC Product Line

AFOLUX GEN III Panel PC with PoE PD module

Size	W7"	W10.1"	12.1"	W15.6"	18.5"	21.5"
Intel® Apollo lake	ALF3-W07A-AL AFL3-W07A-AL2	AFL3-W10A-AL	AFL3-12A-AL	AFL3-W15A-AL		
Intel® Whiskey Lake				AFL3-W15C-ULT5	AFL3-W19C-ULT5	AFL3-W22C-ULT5

AFOLUX GEN III Panel PC

Size	W7"	8.4"	W10.1"	12.1"	W15"	W19"	W22"
Intel® Dual Core Celeron® N2807	AFL3-W07A-BT						
Intel® Quad Core Celeron® J1900		AFL3-08A-BT	AFL3-W10A-BT	AFL3-12A-BT	AFL3-W15A-BT		
Intel® Apollo lake						AFL3-W19A-AL	

Intelligent PoE Management System

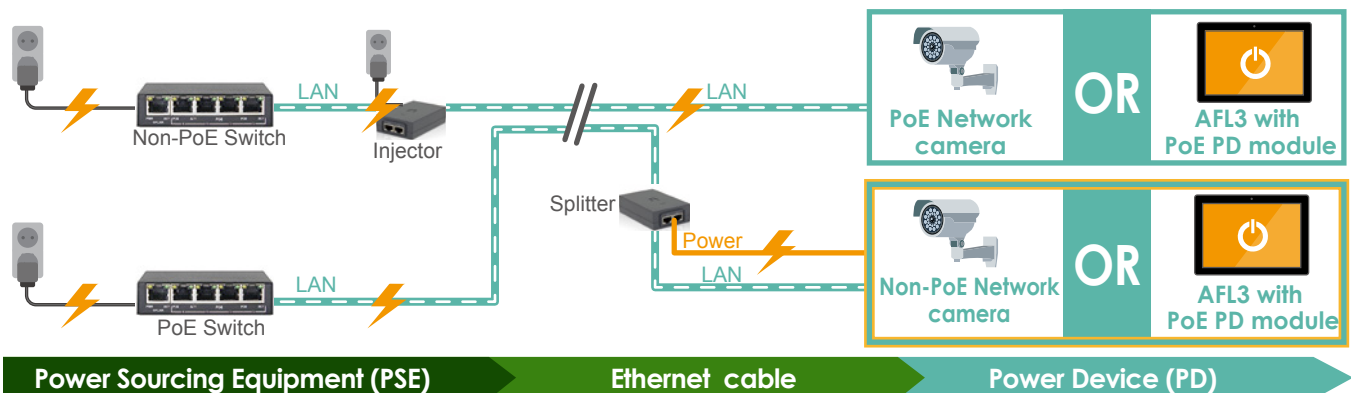


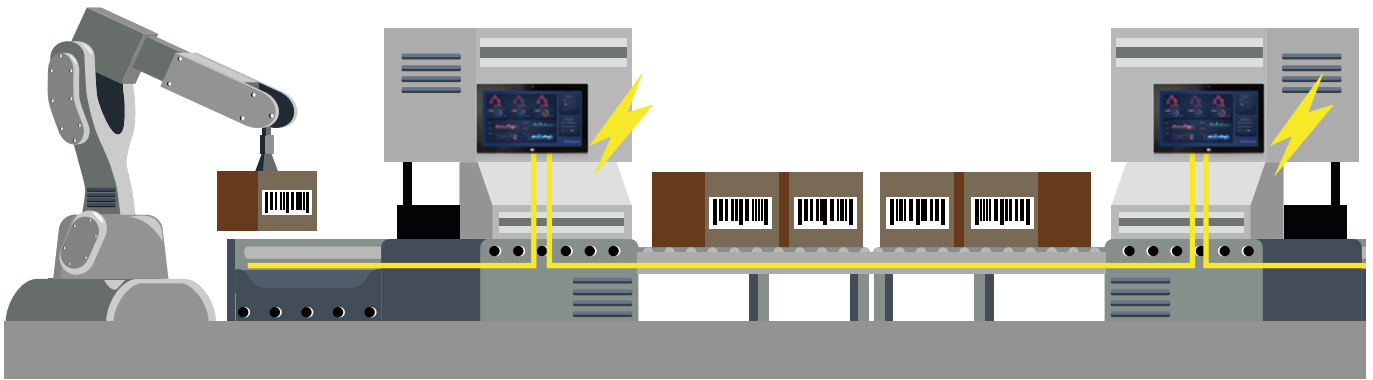
AFL3 Series Products support up to IEEE 802.3bt standard and IEI offer PoE PD bt standard module to option install to AFL3 series panel pc.

Type	Standard	PSE minimum input power	PD minimum input power guaranteed	Cable category	Cable length	Power over
Type 1	IEEE802.3af	15.4 W	12.95 W	Cat5e	100 m	2 pairs
Type 2	IEEE802.3at	30 W	25.5 W	Cat5e	100 m	2 pairs
Type3	IEEE802.3bt	60 W	51 W – 60 W	Cat5e	100 m	2 pairs class 0-4 4 pairs class 0-4 4 pairs class 5-6
Type4	IEEE802.3bt	90 W	71 W – 90 W	Cat5e	100 m	4 pairs class 7-8

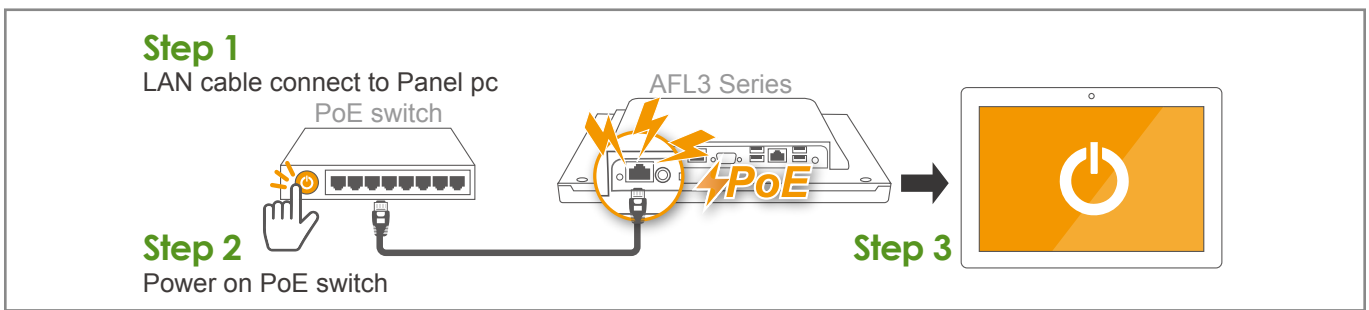
» Application

PoE Scenario (Delivery Data and Power Together Thru Ethernet cable) PoE allows electronic devices to receive both power and data through one Ethernet plug-in. The ability to receive both power and data through one cord means less cabling and less cost for the factory automation





Setup Intelligent PoE Management System



IEI AFL3 PoE Product Support List

The AFL3 series uses DC adapter as a default to connect with power source. The following PoE PD modules provide additional options for powering up the system.

Item	IEEE802.3 PD module (Power device)		IEEE802.3 PSE switch (Power sourcing equipment)	
	AFL3-PD-BT01-KIT01 input power 71~90W	GPOE-PD-BT01 input power 71~90W	IEEE802.3at switch Output power 30W	IEEE802.3bt switch Output power 90W
AFL3-W07A-AL*			✓	✓
AFL3-W07A-AL2*			✓	✓
AFL3-W10A-AL*	✓		✓	✓
AFL3-12A-AL	✓			✓
AFL3-W15A-AL	✓			✓
AFL3-W15C-ULT5*		✓	✓	✓
AFL3-W19C-ULT5*		✓	✓	✓
AFL3-W22C-ULT5*		✓	✓	✓

AFL3 Apollo Lake with PoE Selection Guide



LCD Size		7"		10.1"	12.1"	15.6"	
Model		AFL3-W07A-AL	AFL3-W07A-AL2	AFL3-W10A-AL	AFL3-12A-AL	AFL3-W15A-AL	
LCD	Size	7"		10.1"	12.1"	15.6"	
	Resolution	1024 x 600 (16:9)		1280 x 800 (16:10)	1024 x 768 (4:3)	1366 x 768 (16:9)	
	Brightness (cd/m²)	500		350	500	300	
	Contrast Ratio	700:1		800:1	700:1	500:1	
	Viewing Angle (H-V)	150 / 145		170 / 170	160 / 160	170 / 160	
	Backlight MTBF	20000		15000	50000	50000	
Touch	Touch Screen	PCAP with USB interface (anti-UV/AG coating)		PCAP with USB interface (anti-UV/anti-glare coating)			
	Touch Controller	EETI 80H60		EXC3146	EXC3146	EXC3160	
Mainboard	CPU	Intel® Celeron N3350 (2M Cache, up to 2.4 GHz) TDP 6W		Apollo lake Intel® Celeron® Processor J3455 (2M Cache, up to 2.3 GHz) TDP 10W			
	RAM	one 204-pin 1866MHz DDR3L DIMMs support up to 8GB					
	Ethernet	LAN1: Intel® I211 + LAN2: Intel® I211	LAN1: Intel® I211	LAN1: Intel® I211 + LAN2: Intel® I211			
	Audio Codec	Realtek ALC 888S					
Storage	1 x M.2 B+M key 2242 slot (USB/SATA signal)			1 x M.2 B+M key 2242 slot (USB/SATA signal)	*1 x 2.5" SATA 3Gb/s HDD bay (optional one of the two) 1 x M.2 B+M key 2242 slot (USB/SATA signal)		
I/O Ports & Switch	2 x GbE LAN 2 x USB 3.2 Gen 1 (5Gb/s) 2 x USB 2.0 1 x 12V DC Jack 1 x Power Button 1 x Reset button 1 x Clear CMOS button 1 x AT/ATX switch	1 x GbE LAN 2 x USB 3.2 Gen1 (5Gb/s) 1 x RS232/422/485 (by DB9) 1 x HDMI 1 x HDMI 1 x 12 DC Jack 1 x Power Button 1 x Reset button 1 x Clear CMOS button 1 x AT/ATX switch	1 x RS-232/422/485 by RJ45 1 x RS-232 by DP9 2 x GbE LAN 2 x USB 3.2 Gen 1 (5Gb/s) 2 x USB 2.0 1 x HDMI output 1 x 9V~30V DC Jcak 1 x Power Button 1 x Line out 1 x Reset button 1 x Clear CMOS button 1 x AT/ATX switch				
PoE Support	On board PoE at			Yes (option single channel)			
Audio	AMP 2W (internal speaker)			AMP 2W + 2W	AMP 3W + 3W (internal speaker)	AMP 3W + 3W (internal speaker)	
Camera / Microphone	N/A			2-megapixel with low light function, digital microphone			
Wireless & Bluetooth	IEEE 802.11 a/b/g/n/ac, Bluetooth V4.2 (1 x M.2 A + E key 2230)						
Physical	Construction Front Panel	PC + ABS Plastic					
	Mounting	Panel, Wall, Stand and Arm VESA 75mm x 75mm			Panel, Wall, Stand and Arm VESA 75mm x 75mm, 100mm x 100mm		
	Color	Black C					
	Dimensions (W x H x D) (mm)	191 x 127 x 43		262 x 181 x 42	304 x 243 x 44		396 x 250 x 53
	Cut-out Dimensions (W x H)	182 x 111		236 x 149	243 x 205		273 x 226
	Net/Gross Weight (kgs)	0.73/1.81		1.06/2.58	1.92/3.95		3.3/5.6
Environment	Operating Temperature (°C) (Ambient with air flow)	-20°C ~ 50°C					
	Storage Temperature (°C)	-20°C ~ 60°C					
	Humidity	10% to 95% (non-condensing)					
	IP Level	IP 65 compliant front panel			IP 64 compliant front panel		
	Safety&EMC	CE / FCC class A					
Thermal Solution	Fanless						
Power	Power Requirement	12V only			9V ~ 30V		
ErP	ErP 2009/125/EC						

AFL3 Apollo Lake with PoE

Intelligent PoE Management System

Features

- W7" light industrial interactive panel PC
- 12V DC input with lockable DC jack
- Selectable AT/ATX power mode
- Built-in speakers
- Support PoE PD IEEE803.2 af/at
- IP65 compliant front panel
- Touch screen with anti-UV / anti-glare coating
- Support Auto Flow Control over RS-485



Specifications

Model		AFL3-W07A-AL	AFL3-W07A-AL2
LCD	Size	7"	
	Resolution	1024 x 600 (16:9)	
	Brightness (cd/m ²)	500	
	Contrast Ratio	700:1	
	Viewing Angle (H-V)	150 / 145	
	Backlight MTBF	20000	
Touch	Touch Screen	PCAP with USB interface (anti-UV/AG coating)	
	Touch Controller	EETI 80H60	
Mainboard	CPU	Intel® Celeron N3350 (2M Cache, up to 2.4 GHz) TDP 6W	
	RAM	one 204-pin 1866MHz DDR3L DIMMs support up to 8GB	
	Ethernet	LAN1: Intel® I211 + LAN2: Intel® I211	LAN1: Intel® I211
	Audio Codec	Realtek ALC 888S	
Storage	1 x M.2 B+M key 2242 slot (USB/SATA signal)		
I/O Ports & Switch	2 x GbE LAN 2 x USB 3.2 Gen 1 (5Gb/s) 2 x USB 2.0 1 x 12V DC Jack 1 x Power Button 1 x Reset button 1 x Clear CMOS button 1 x AT/ATX switch	1 x GbE LAN 2 x USB 3.2 Gen1 (5Gb/s) 1 x RS232/422/485 (by DB9) 1 x HDMI 1 x 12 DC Jack 1 x Power Button 1 x Reset button 1 x Clear CMOS button 1 x AT/ATX switch	
PoE Support	On board PoE at		
Audio	AMP 2W (internal speaker)		
Wireless & Bluetooth	IEEE 802.11 a/b/g/n/ac, Bluetooth V4.1 M.2 slot A+E key 2230 slot (PCIe/USB signal)		
Physical	Construction Front Panel	PC + ABS Plastic	
	Mounting	Panel, Wall, Stand and Arm VESA 75mm x 75mm	
	Color	Black C	
	Dimensions (W x H x D) (mm)	191 x 127 x 43	
	Cut-out Dimensions (W x H)	182 x 111	
	Net/Gross Weight (kgs)	0.73/1.81	
Environment	Operating Temperature (°C) (Ambient with air flow)	-20°C ~ 50°C	
	Storage Temperature (°C)	-20°C ~ 60°C	
	Humidity	10% to 95% (non-condensing)	
	IP Level	IP 65 compliant front panel	
	Safety&EMC	CE / FCC class A	
Power	Power Requirement	Fanless 12V/3A	
ErP	ErP 2009/125/EC		
Supported OS	Microsoft Windows® 10 / Windows® 11, Linux		

AFL3 Apollo Lake with PoE

Intelligent PoE Management System

Features

- W10" ~ W15.6" light industrial interactive panel PC
- 9 V ~ 30 V wide range DC input with lockable DC jack
- Selectable AT/ATX power mode
- Built-in speakers
- Support PoE PD IEEE803.2 af/at/bt
- IP64/IP65 compliant front panel
- Touch screen with anti-UV / anti-glare coating
- Support Auto Flow Control over RS-485



Specifications

Model		AFL3-W10A-AL	AFL3-12A-AL	AFL3-W15A-AL
LCD	Size	10.1"	12.1"	15.6"
	Resolution	1280 x 800 (16:10)	1024 x 768 (4:3)	1366 x 768 (16:9)
	Brightness (cd/m ²)	350	500	300
	Contrast Ratio	800:1	700:1	500:1
	Viewing Angle (H-V)	170 / 170	160 / 160	170 / 160
	Backlight MTBF	15000	50000	50000
Touch	Touch Screen	PCAP with USB interface (anti-UV/anti-glare coating)		
	Touch Controller	EXC3146	EXC3146	EXC3160
Mainboard	CPU	Apollo lake Intel® Celeron® Processor J3455 (2M Cache, up to 2.3 GHz) TDP 10W		
	RAM	one 204-pin 1866MHz DDR3L DIMMs support up to 8GB		
	Ethernet	LAN1: Intel® I211 + LAN2: Intel® I211		
	Audio Codec	Realtek ALC 888S		
Storage	1 x M.2 B+M key 2242 slot (USB/SATA signal)	*1 x 2.5" SATA 3Gb/s HDD bay (optional one of the two) 1 x M.2 B+M key 2242 slot (USB/SATA signal)		
I/O Ports & Switch	1 x RS-232/422/485 by RJ45 (Support Auto Flow Control over RS-485) 1 x RS-232 by DP9 2 x GbE LAN 2 x USB 3.2 Gen 1 (5Gb/s) 2 x USB 2.0 1 x HDMI output	1 x 9V~30V DC Jack 1 x Power Button 1 x Line out 1 x Reset button 1 x Clear CMOS button 1 x AT/ATX switch		
PoE Support	Yes (option single channel)			
Audio	AMP 2W + 2W	AMP 3W + 3W (internal speaker)		
Camera / Microphone	2-megapixel with low light function, digital microphone			
Wireless & Bluetooth	IEEE 802.11 a/b/g/n/ac, Bluetooth V4.1 M.2 slot A+E key 2230 slot (PCIe/USB signal)			
Physical	Construction Front Panel	PC + ABS Plastic		
	Mounting	Panel, Wall, Stand and Arm VESA 75mm x 75mm	Panel, Wall, Stand and Arm VESA 75mm x 75mm, 100mm x 100mm	
	Color	Black C		
	Dimensions (W x H x D)(mm)	262 x 181 x 42	304 x 243 x 44	396 x 250 x 53
	Cut-out Dimensions (W x H)	236 x 149	243 x 205	273 x 226
	Net/Gross Weight (kgs)	1.06/2.58	1.92/3.95	3.3/5.6
Environment	Operating Temperature (°C) (Ambient with air flow)	-20°C ~ 50°C		
	Storage Temperature (°C)	-20°C ~ 60°C		
	Humidity	10% to 95% (non-condensing)		
	IP Level	IP 64 compliant front panel		
	Safety&EMC	CE / FCC class A		
	Thermal Solution	Fanless		
Power	Power Requirement	9 ~ 30V, 4~1, 2A	9 ~ 30V, 6.67~2A	9 ~ 30V, 6.67 ~ 2A
ErP	ErP 2009/125/EC			
Supported OS	Microsoft Windows® 10 / Windows® 11, Linux			

*the 2.5" HDD bay must be removed if one chooses to install the PoE PD module, and vice versa

Ordering Information

Part No.	Description
AFL3-W07A-AL-N1/P/PC/4G-R10	7" 500cd/m ² 1024 x 600 Panel PC with Intel® Celeron® Processor N3350 (6W) on-board Processor, on-board POE at, 1*4GB DDR3L, 802.11a/b/g/n/ac WiFi module, PCAP touch, R10
AFL3-W07A-AL2-N1/P/PC/4G-R10	7" 500cd/m ² 1024 x 600 Panel PC with Intel® Celeron® Processor N3350 (6W) on-board Processor, w/COM, on-board POE at, 1*4GB DDR3L, WiFi module, PCAP touch, R10
AFL3-W10A-AL-J2/P/PC/4G-R10	10.1" 350cd/m ² 1280 x 800 Panel PC with Intel® Celeron® Processor J3455 (10W) on-board Processor, POE option, 1*4GB DDR3L, 802.11a/b/g/n/ac WiFi module, PCAP touch, 2M camera, microphone, R10
*AFL3-12A-AL-J2/P/PC/4G-R10	12.1" 500 cd/m ² 1024 x 768 Panel PC with Intel® Celeron® Processor J3455 (10W) on-board Processor, POE option, 1*4GB DDR3L, 802.11a/b/g/n/ac WiFi module, PCAP touch, 2M camera, microphone, R10
*AFL3-W15A-AL-J2/P/PC/4G-R10	Wide 15.6" 300 cd/m ² 1366 x 768 Panel PC with Intel® Celeron® Processor J3455 (10W) on-board Processor, POE option, 1*4GB DDR3L, 802.11a/b/g/n/ac WiFi module, PCAP touch, 2M camera, microphone, R10
AFL3-PD-BT01-KIT01-R10	PoE PD IEEE802.3 af/at/bt module kit, only for AFL3-xxx-AL optional (W10A/12A/W15A), R10

*the 2.5" HDD bay must be removed if one chooses to install the PoE PD module, and vice versa

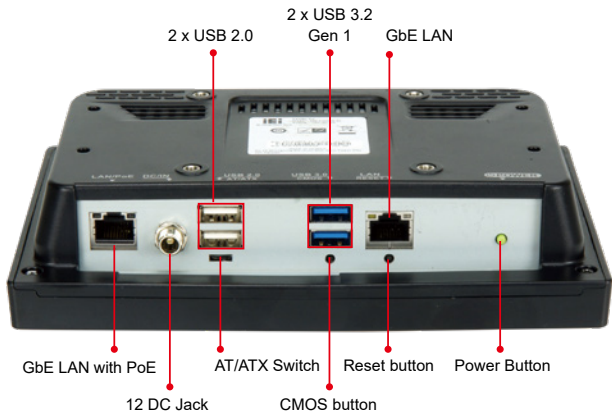
Options

Item	AFL3-W07A-AL	AFL3-W07A-AL2	AFL3-W10A-AL	AFL3-12A-AL	AFL3-W15A-AL
Panel Mounting Kit	AFL3PK-W07A-R11	AFL3PK-W07A-R11	AFL3PK-08A-R10	AFL3PK-08A-R10	AFL3PK-W15A-R10
Wall Mounting Kit	AFLWK-12	AFLWK-12	AFLWK-12	AFLWK-19B	AFLWK-19B
Rack Mounting Kit	AFL3RK-W07A-R11	AFL3RK-W07A-R11	AFL3RK-W10A-R10	-	AFL3RK-W15A-R11
Arm	ARM-11-RS/ARM-31-RS	ARM-11-RS/ARM-31-RS	ARM-11-RS/ARM-31-RS	ARM-11-RS/ARM-31-RS	ARM-11-RS/ARM-31-RS
Stand	STAND-A21-R10/STAND-210-R11/STAND-C12-R10				
V-Stand	VSTAND-A07-R1	VSTAND-A07-R1	VSTAND-A10-R11	VSTAND-A12-R11	
Barcode Scanner	N/A	N/A	AFL3-2D-R11	AFL3-2D-R11	AFL3-2D-R11
RFID Reader (13.56 MHz Mifare Type)	N/A	N/A	AFL3-MF-RFID-KIT02-R11	AFL3-MF-RFID-KIT02-R11	AFL3-MF-RFID-KIT02-R11
OS: Win 10 IOT Enterprise (64-bit)	AFL3-W07A-AL-W10E64-E-R10				
PoE PD module	N/A	N/A	AFL3-PD-BT01-KIT01-R10	AFL3-PD-BT01-KIT01-R10	AFL3-PD-BT01-KIT01-R10

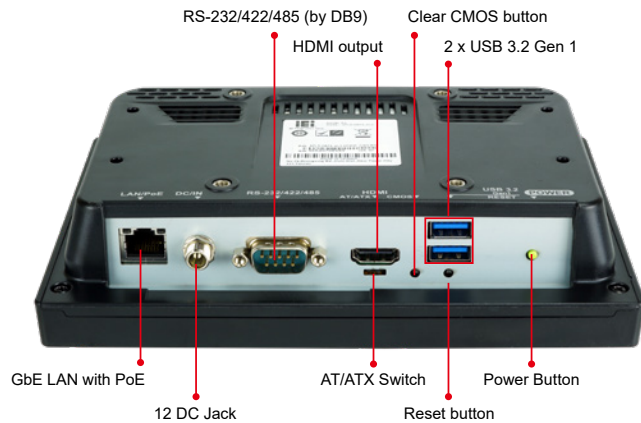
Packing List

Item	Part No.	Q'ty	Remark
Setting kit	46003-002600-RS	2	
Round head machine screw	44003-020041-RS	2	M2*4 round head machine screw
	44003-020041-RS	4	M2*4 round head machine screw
Pan head machine screw	44403-040061-RS	4	M4*6 pan head machine screw
Fix holder	46003-009500-RS	2	
Power cord	32702-000400-200-RS	1	
Power adapter	63040-010036-210-RS	1	Vin:90~264VAC;36W, Vout:12VDC;Φ2.5/Φ5.5/lock (AFL3-W07A-AL / AFL3-W07A-AL2 / AFL3-W10A-AL)
	63040-010060-211-RS	1	Vin:90~264VAC;36W, Vout:12VDC;Φ2.5/Φ5.5/lock (AFL3-12A-AL / AFL3-W15A-AL)
RJ-45 to DB-9 COM port transfer cable	32005-004600-100-RS	1	300mm, 26AWG, (A) D-SUB 9 male, (B) RJ-45

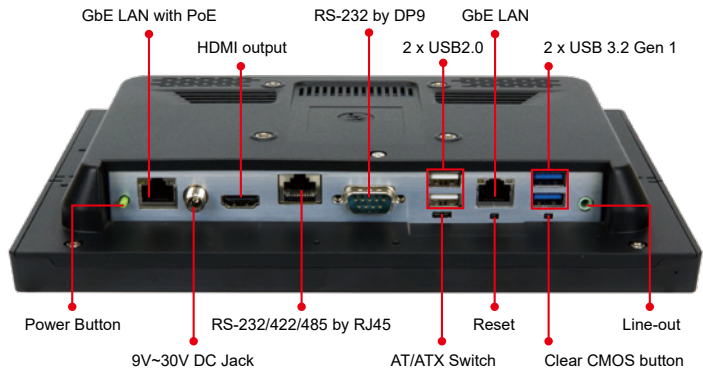
AFL3-W07A-AL
Fully Integrated I/O



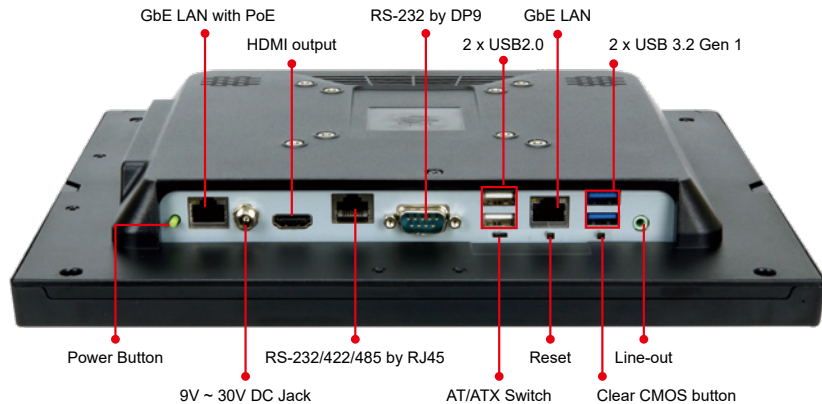
AFL3-W07A-AL2
Fully Integrated I/O



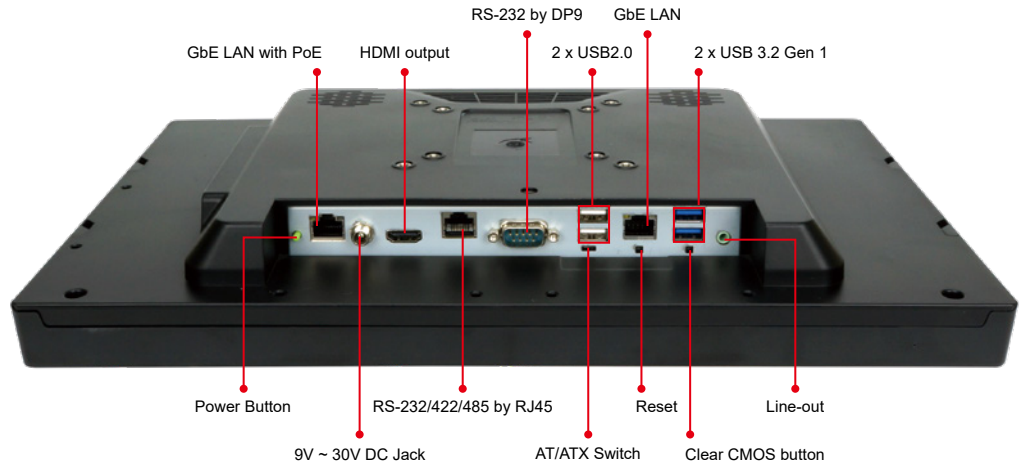
AFL3-W10A-AL
Fully Integrated I/O



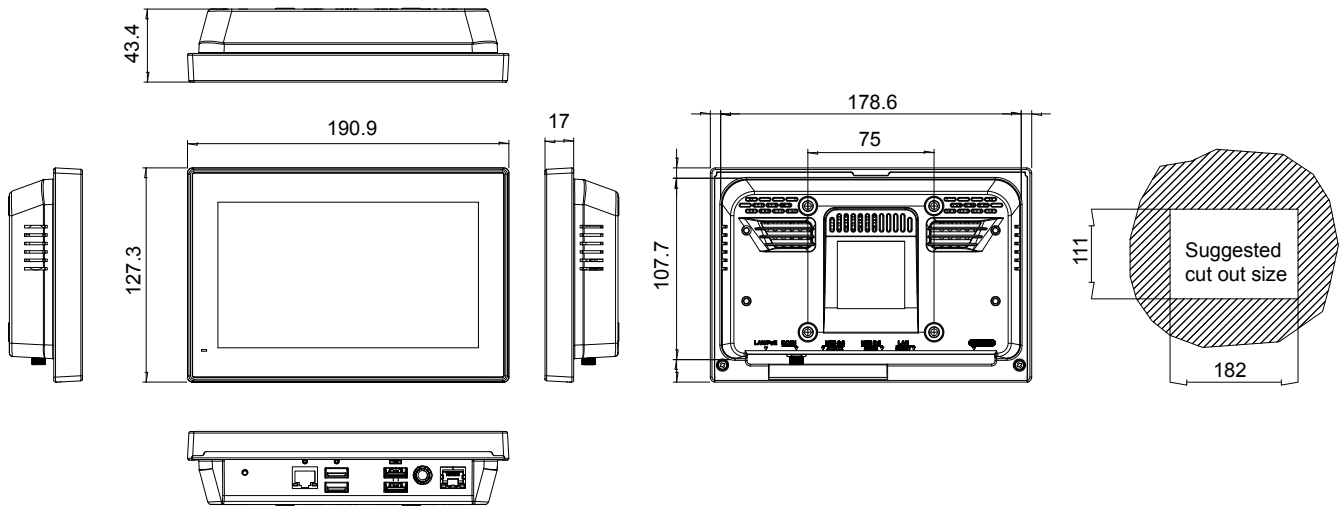
AFL3-12A-AL
Fully Integrated I/O



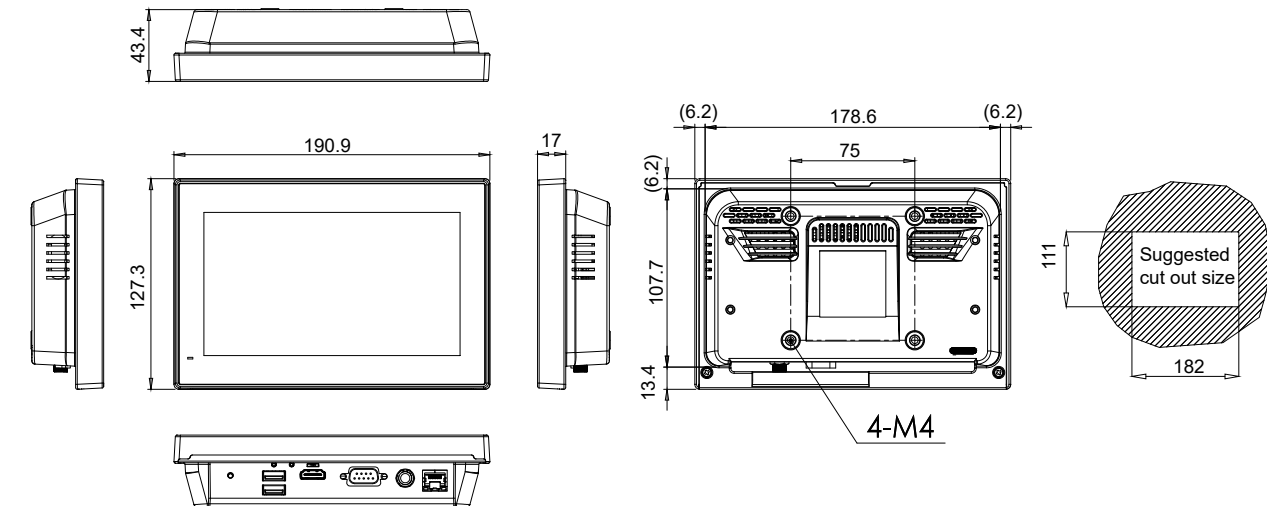
AFL3-W15A-AL
Fully Integrated I/O



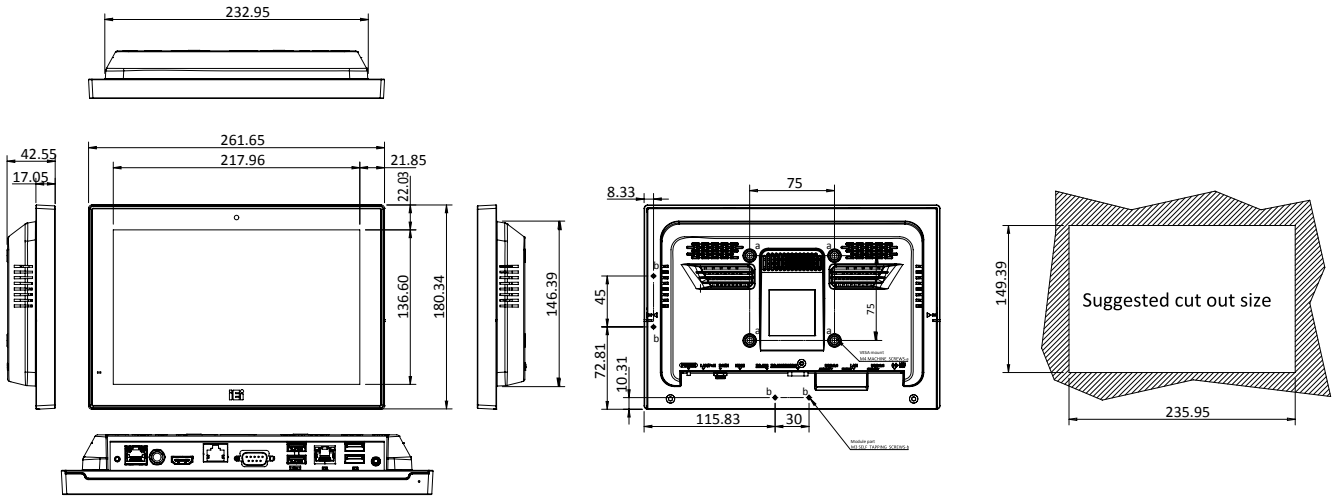
AFL3-W07A-AL Dimensions (Unit: mm)



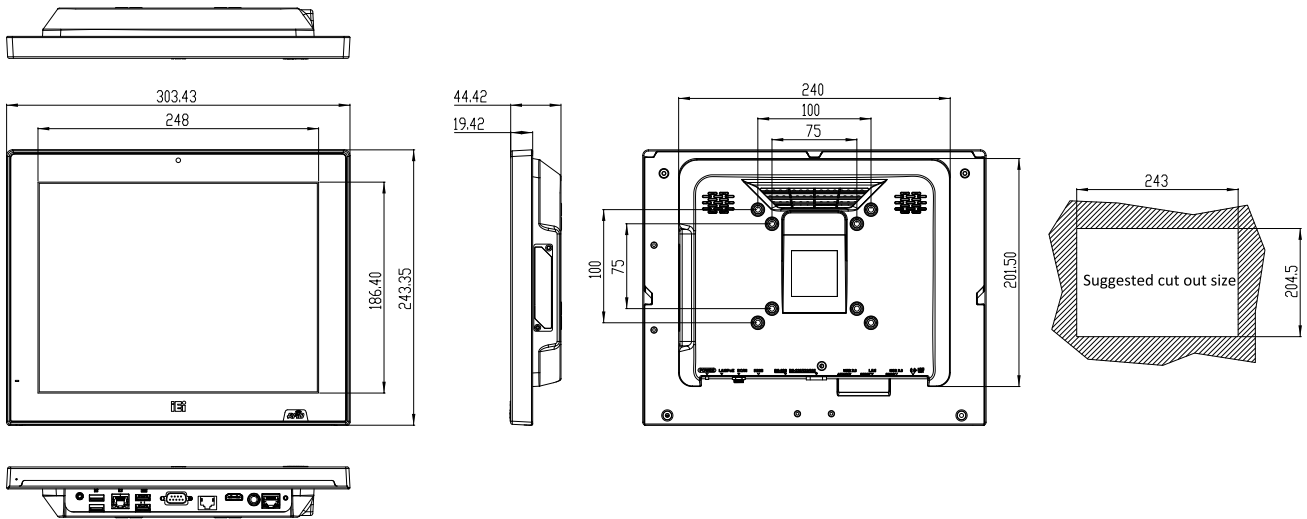
AFL3-W07A-AL2 Dimensions (Unit: mm)



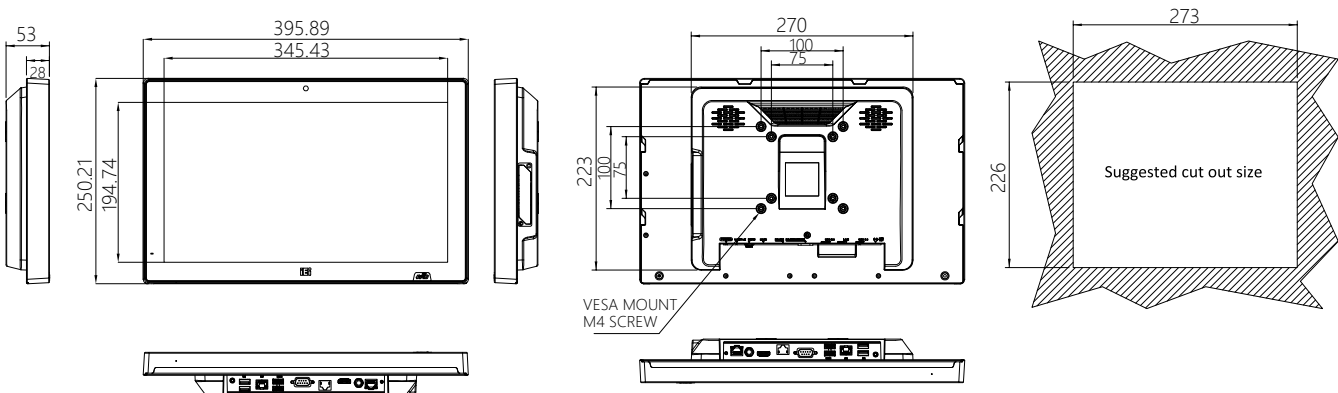
AFL3-W10A-AL Dimensions (Unit: mm)



AFL3-12A-AL Dimensions (Unit: mm)



AFL3-W15A-AL Dimensions (Unit: mm)



AFL3 Whiskey Lake with PoE Selection Guide



LCD Size		15.6"	18.5"	21.5"
Model		AFL3-W15C-ULT5	AFL3-W19C-ULT5	AFL3-W22C-ULT5
LCD	Size	15.6"	18.5"	21.5"
	Resolution	1366 x 768 (16:9)	1366 x 768 (16:9)	1920 x 1080 (16:9)
	Brightness (cd/m ²)	300	250	250
	Contrast Ratio	500:1	1000:1	1000:1
	Viewing Angle (H-V)	170°/160°	170°/160°	170°/160°
	Backlight MTBF (hrs)	50000	30000	30000
Touch Screen		PCAP with USB interface (anti-UV/AG coating)		
Touch Controller		EXC3160		
Mainboard	CPU	Intel® Whiskey Lake-U quad-core processor		
	Memory	Two 260-pin 2400MHz dual-channel DDR4 SO-DIMMs supporting up to 32 GB		
	Ethernet	LAN1 & LAN2: Intel® I211; LAN3: Intel® I219		
	Audio Codec	Realtek ALC 888S		
Storage		1 x M.2 M-key 2280 PCIe 3.0 x4 (PCIe/SATA Signal)		
		1 x 2.5" SATA 3Gb/s HDD bay		
I/O Ports & Switch		2 x PoE GbE LAN (optional IEEE802.3af/at/bt) 1 x GbE LAN 4 x USB 3.2 Gen.2 1 x HDMI output 1 x RS-232/422/485 1 x RS-232 1 x 12V DC jack 1 x Power Button 1 x AT/ATX switch		
Audio		AMP 3W + 3W (internal speaker)		
Camera / Microphone		2-megapixel with low light function, digital microphone		
Wireless & Bluetooth		IEEE 802.11 a/b/g/n/ac, Bluetooth V4.1 M.2 A+E key 2230 slot (PCIe/USB signal)		
Physical	Construction Front Panel	PC + ABS Plastic		
	Mounting	Panel, Wall, Stand and Arm VESA 75mm x 75mm, 100mm x 100mm		
	Color	Black C		
	Dimensions (W x H x D) (mm)	396 x 250 x 64	470 x 290 x 70	528 x 336 x 68
	Cut-out Dimensions (W x H)	369 x 226	443 x 261	502 x 303
	Net/Gross Weight (kgs)	4.5/6.5	7.3/10	8.27/11.27
Environment	Operating Temperature (°C) (Ambient with air flow)	-20°C ~ 50°C		
	Storage Temperature (°C)	-20°C ~ 60°C		
	Humidity	10% to 95% (non-condensing)		
	IP Level	IP 64 compliant front panel		
	Safety & EMC	CE / FCC class A		
	Thermal Solution	Fanless		
Power	Power Requirement	12V, 8A		
		PoE IEEE802.3af/at/bt (redundancy, power load-sharing)		
ErP		ErP 2009/125/EC		

AFL3 Whiskey Lake with PoE

NEW

Intelligent PoE Management System

Features

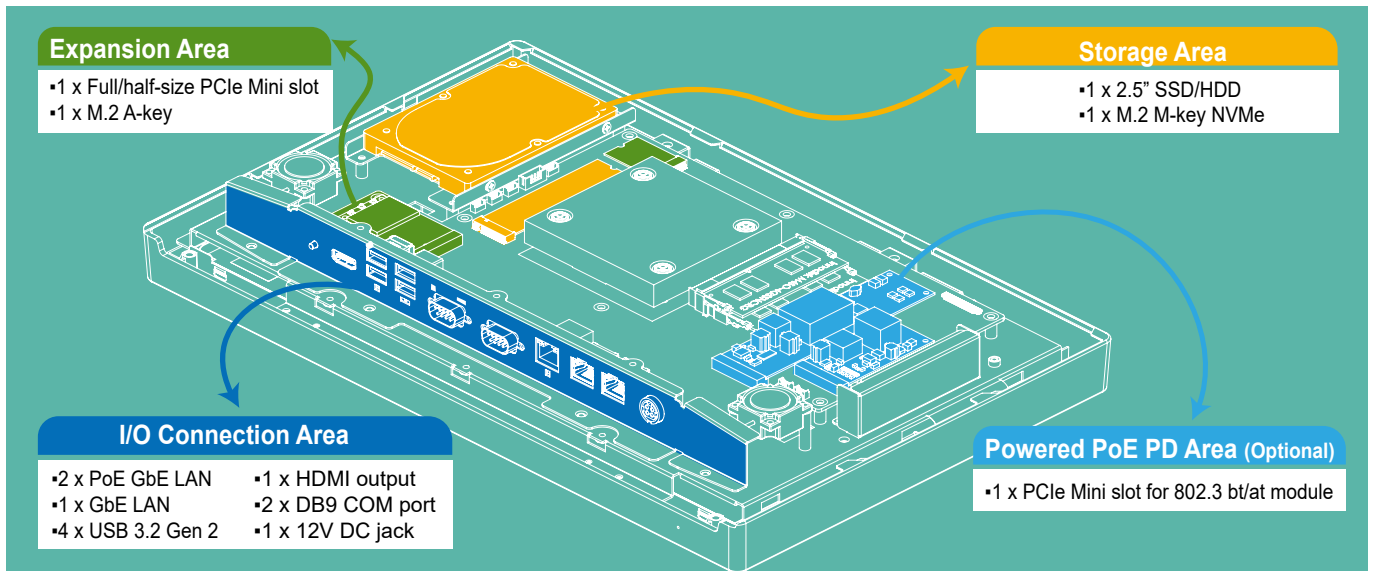
- W15.6"~ W21.5" light industrial interactive panel PC
- 8th Generation Intel® Core™ i5 on-board Whiskey Lake-U processor
- Selectable AT/ATX power mode
- Built-in speakers
- Support PoE PD IEEE802.3 af/at/bt (optional)
- IP64 compliant front panel
- Touch screen with anti-UV / anti-glare coating
- Support Auto Flow Control over RS-485



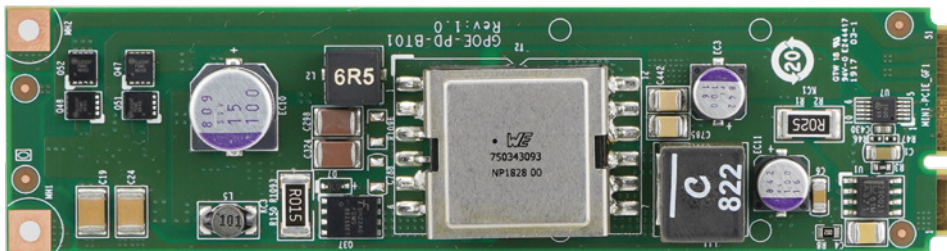
Specifications

Model		AFL3-W15C-ULT5	AFL3-W19C-ULT5	AFL3-W22C-ULT5
LCD	Size	15.6"	18.5"	21.5"
	Resolution	1366 x 768 (16:9)	1366 x 768 (16:9)	1920 x 1080 (16:9)
	Brightness (cd/m²)	300	250	250
	Contrast Ratio	500:1	1000:1	1000:1
	Viewing Angle (H-V)	170°/160°	170°/160°	170°/160°
	Backlight MTBF (hrs)	50000	30000	30000
Touch Screen		PCAP with USB interface (anti-UV/AG coating)		
Touch Controller		EXC3160		
Mainboard	CPU	Intel® Whiskey Lake-U quad-core processor		
	Memory	Two 260-pin 2400MHz dual-channel DDR4 SO-DIMMs supporting up to 32 GB		
	Ethernet	LAN1 & LAN2: Intel® I211; LAN3: Intel® I219		
	Audio Codec	Realtek ALC 888S		
Storage		1 x M.2 M-key 2280 PCIe 3.0 x4 (PCIe/SATA Signal) 1 x 2.5" SATA 3Gb/s HDD bay		
I/O Ports & Switch		2 x PoE GbE LAN (optional IEEE802.3af/at/bt) 1 x GbE LAN 4 x USB 3.2 Gen.2 1 x HDMI output 1 x RS-232/422/485 1 x RS-232 1 x 12V DC jack 1 x Power Button 1 x AT/ATX switch		
Audio		AMP 3W + 3W (internal speaker)		
Camera / Microphone		2-megapixel with low light function, digital microphone		
Wireless & Bluetooth		IEEE 802.11 a/b/g/n/ac, Bluetooth V4.1 M.2 A+E key 2230 slot (PCIe/USB signal)		
Physical	Construction Front Panel	PC + ABS Plastic		
	Mounting	Panel, Wall, Stand and Arm VESA 75mm x 75mm, 100mm x 100mm		
	Color	Black C		
	Dimensions (W x H x D) (mm)	396 x 250 x 64	470 x 290 x 70	528 x 336 x 68
	Cut-out Dimensions (W x H)	369 x 226	443 x 261	502 x 303
	Net/Gross Weight (kgs)	4.5/6.5	7.3/10	8.27/11.27
Environment	Operating Temperature (°C) (Ambient with air flow)	-20°C~50°C		
	Storage Temperature (°C)	-20°C~60°C		
	Humidity	10% to 95% (non-condensing)		
	IP Level	IP 64 compliant front panel		
	Safety & EMC	CE / FCC class A		
	Thermal Solution	Fanless		
Power	Power Requirement	12V, 8A PoE IEEE802.3 af/at/bt (redundancy, power load-sharing)		
ErP		ErP 2009/125/EC		
Supported OS		Microsoft Windows® 10 / Windows® 11, Linux		

Rich Interface

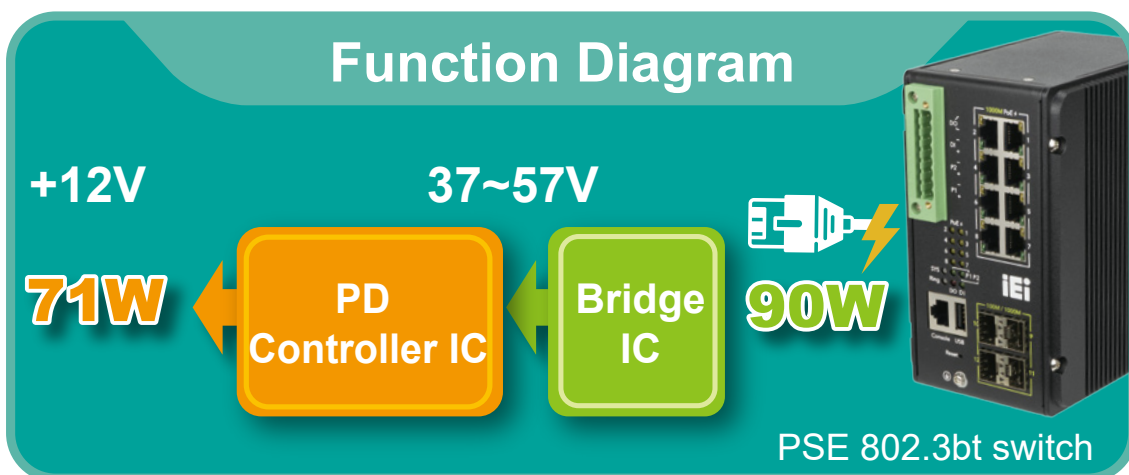


IEEE802.3 PD Module



GPOE-PD-BT01-R10

- Support PoE IEEE802.3 af/at/bt
- Support up to 71watt PD
- PCIe Mini form factor (IEI defined pin)
- Operating temperature: -10°C~60°C
- Operating humidity: 5% ~ 95%



Ordering Information

Part No.	Description
AFL3-W15C-ULT5-i5/P/PC/4G-R10	Wide 15.6" 300cd/m ² 1366x768 Panel PC with 8th generation 14nm Intel® Whiskey Lake Core™ i5-8365UE (15W) on-board processor (ULT), PoE option, 802.11a/b/g/n/ac Wi-Fi module, PCAP touch, 2M camera, microphone, 1*4GB DDR4 RAM, with AG, R10
AFL3-W19C-ULT5-i5/P/PC/4G-R10	Wide 18.5" 250cd/m ² 1366x768 Panel PC with 8th generation 14nm Intel® Whiskey Lake Core™ i5-8365UE (15W) on-board processor (ULT), PoE option, 802.11a/b/g/n/ac Wi-Fi module, PCAP touch, 2M camera, microphone, 1*4GB DDR4 RAM, with AG, R10
AFL3-W22C-ULT5-i5/P/PC/4G-R10	Wide 21.5" 250cd/m ² 1920x1080 Panel PC with 8th generation 14nm Intel® Whiskey Lake Core™ i5-8365UE (15W) on-board processor (ULT), PoE option, 802.11a/b/g/n/ac Wi-Fi module, PCAP touch, 2M camera, microphone, 1*4GB DDR4 RAM, with AG, R10
GPOE-PD-BT01-R10	PoE PD IEEE802.3af/at/bt with PCIe Mini form factor, supports AFL3-W15C/W19C/W22C-ULT5, R10

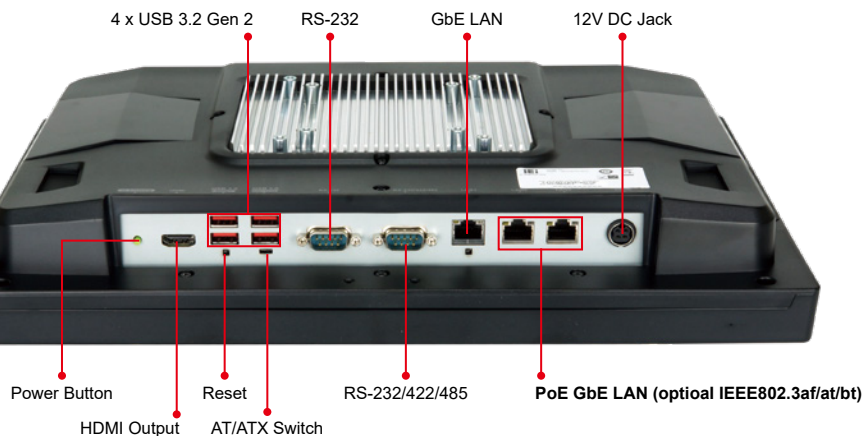
Options

Item	AFL3-W15C-ULT5	AFL3-W19C-ULT5	AFL3-W22C-ULT5
Panel Mounting Kit	AFL3PK-W15A-R10	AFL3PK-W19C-R10	AFL3PK-W19C-R10
Wall Mounting Kit	AFLWK-19B		
Rack Mounting Kit	N/A	N/A	N/A
Arm	ARM-11-RS/ARM-31-RS		
Stand	STAND-A21-R10/ STAND-210-R11/STAND-C19-R10		
Barcode Scanner	AFL3-2D-R11		
RFID Reader (13.56 MHz Mifare Type For ATO assembly)	AFL3-MF-RFID-KIT02-R11		

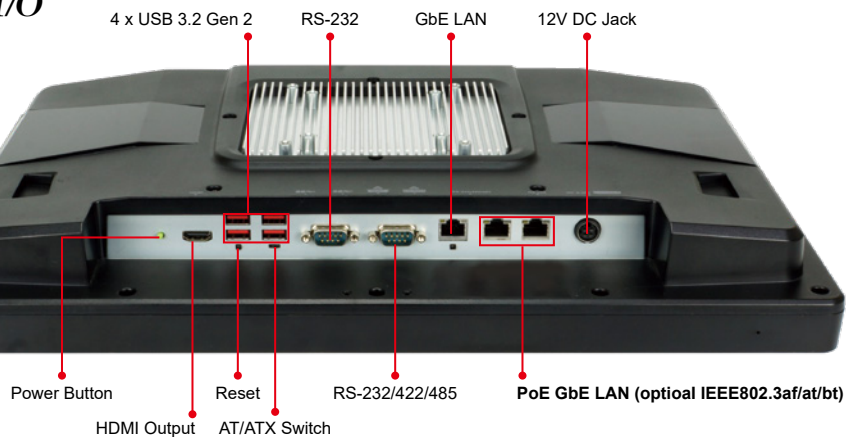
Packing List

Item	Part No.	Q'ty	Remark
Round head machine screw	44003-020041-RS	2	M2*4 round head machine screw
	44003-020041-RS	4	M2*4 round head machine screw
Pan head machine screw	44403-040061-RS	4	M4*6 pan head machine screw
Fix holder	46003-009500-RS	2	
Power cord	32702-000400-200-RS	1	
Power adapter	63040-010096-200-RS	1	Vin: 90~264VAC; 96W, Vout: 12VDC; Din 4Pin/lock

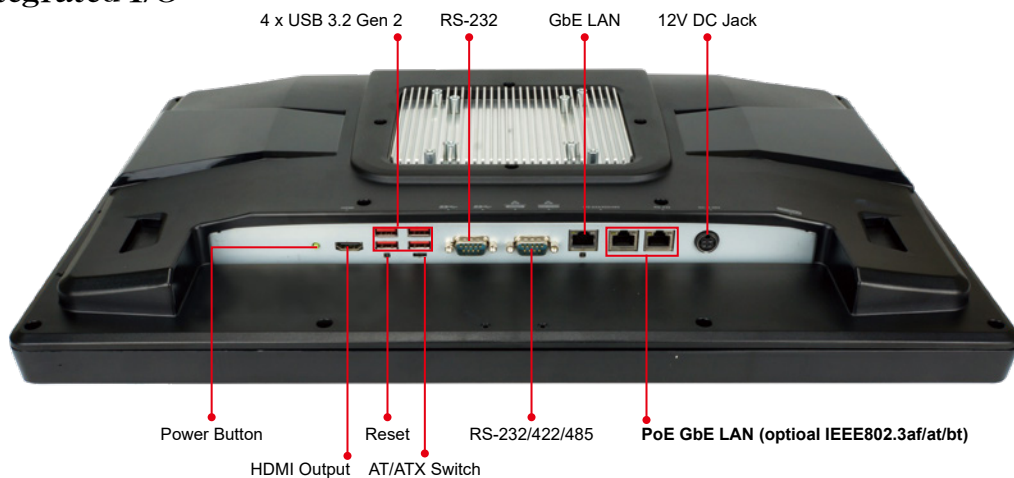
AFL3-W15C-ULT5 Fully Integrated I/O



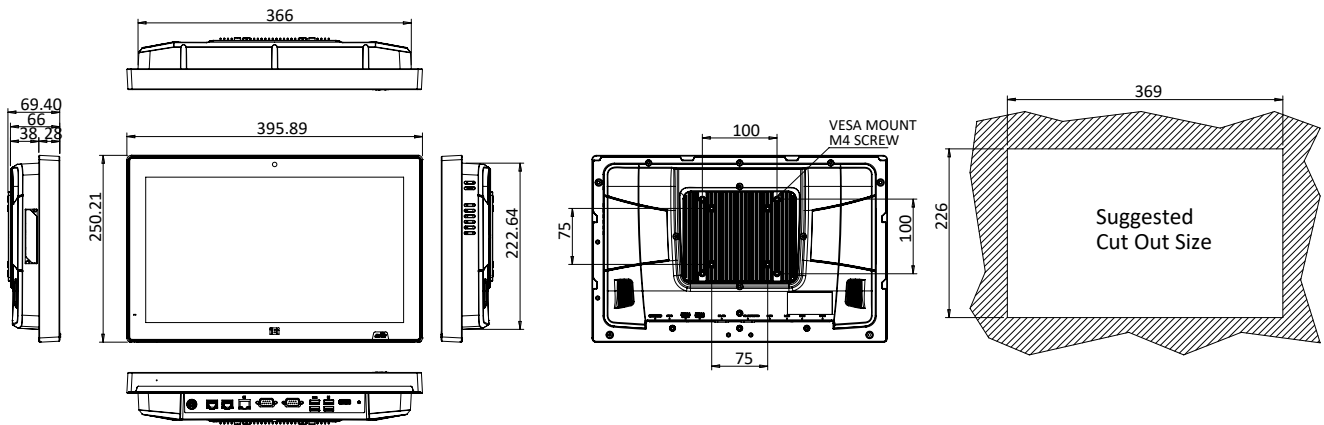
AFL3-W19C-ULT5 Fully Integrated I/O



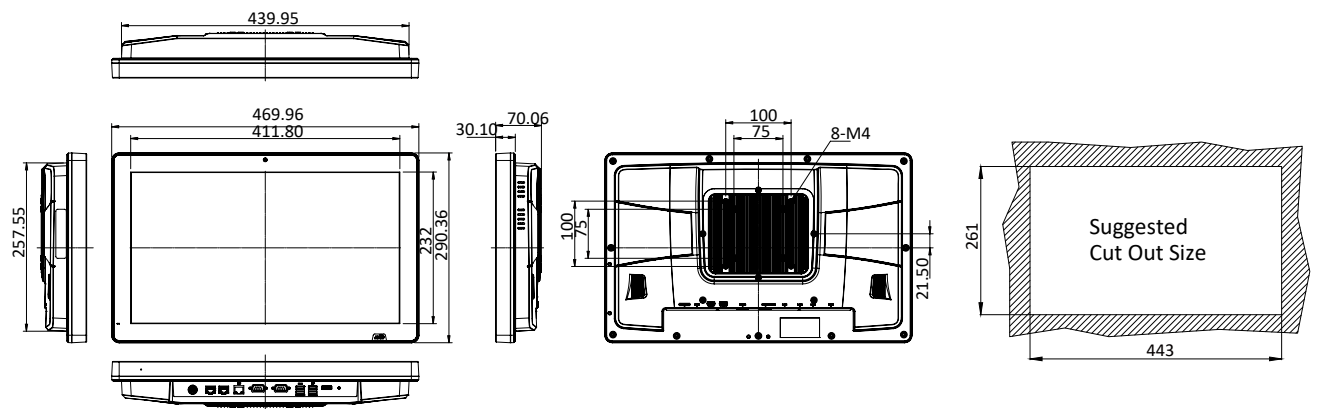
AFL3-W22C-ULT5 Fully Integrated I/O



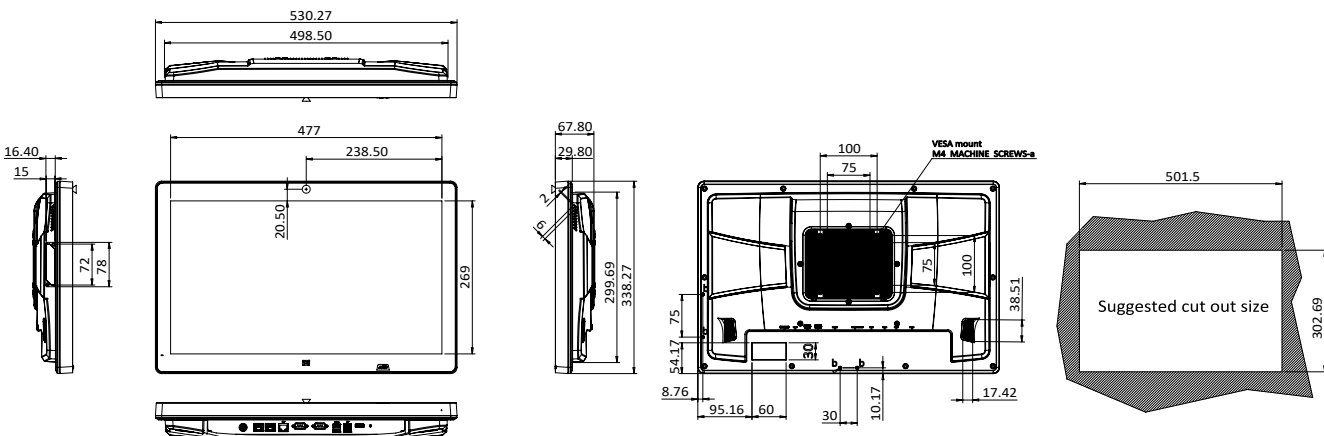
AFL3-W15C-ULT5 Dimensions (Unit: mm)



AFL3-W19C-ULT5 Dimensions (Unit: mm)



AFL3-W22C-ULT5 Dimensions (Unit: mm)



AFOLUX GEN III Interactive Panel PC

» Leading the Evolution of Intelligent HMI

AFOLUX GEN III Panel PC, a specialized all-in-one panel computer with 7-inch to 15.6-inch PCAP touchscreen, opens a new era of automation. It looks stylish like a tablet, and supports 802.11ac and Bluetooth 4.0 high speed connectivity. Its robustness meets industrial standards and its scalability make it easy to expand I/O options. The AFOLUX GEN III is designed for a wide range of applications which can be applied in different scenarios.



Magnetic Card



9V~30V DC



Wide Temp



IP64/IP65



Barcode



Wi-Fi



RFID



Bluetooth

Robustness

- IP65/IP64 front, IPx1 rear cover
- -10°C~50°C extended operating temperature
- 6H PCAP multi-touch

Stylish

- ABS plus PC plastic light weight housing
- 2mm bezel seamless design
- Upright portrait installation possible for all touch devices
- Less screw design

Scalability

- 1D/2D barcode module for retail applications
- 13.56MHz Mifare reader: meets ISO 14443A/B, 15693
- MSR card reader for identifications

Connectivity

- Digital microphone, 2-megapixel camera, speakers
- Wireless 802.11ac connectivity
- Bluetooth 4.0 (optional)

» Multiple Performance Choice

AFOLUX GEN III Panel PC, a specialized all-in-one panel computer with 7-inch to 15.6-inch PCAP touchscreen, opens a new era of automation. It looks stylish like a tablet, and supports 802.11ac and Bluetooth 4.0 high speed connectivity. Its robustness meets industrial standards and its scalability make it easy to expand I/O options. The AFOLUX GEN III is designed for a wide range of applications which can be applied in different scenarios.

A. Fan-free Quad Core and Dual Core Intel® Celeron® Platform

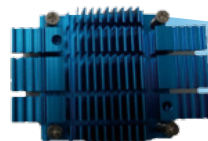
- Quad-core Intel® J1900 2.0 GHz/Dual-core Intel® N2807 Processor
- Intel® HD Graphics Gen 7 Graphics Performance Allows Smooth 2D/3D Graphics Application
- Green Memory
- Fan-free design

Double Graphics Power!

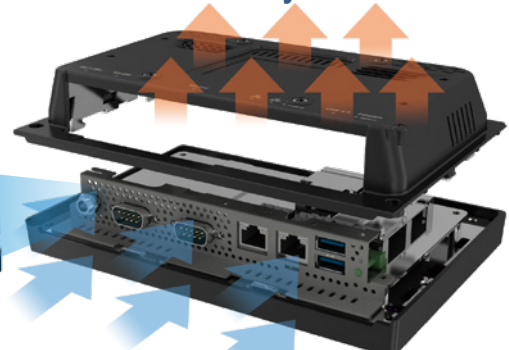
3DMark2001

6707

Intel® Celeron® Processor N2807
(1M Cache, up to 2.16 GHz)



FANLESS System 0dBA



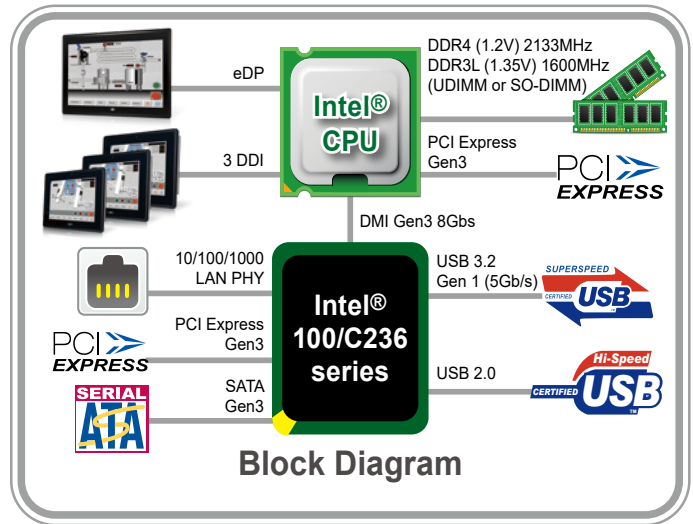
B. 7, 6th Generation Intel® Solution

Breakthrough Performance

- 15.6", 18.5" and 22" fanless light-industrial Panel PC with Intel® Skylake / Kabylake Low power ULT BGA 1356 single package platform
- 14nm processor using 2nd generation 3-D tri-gate transistors
- Support dual-channel DDR4 & DDR3L memory (ECC optional)

Enhanced Graphics / Media

- Gen 9 graphics engine
- 3 independent displays with audio
- Display resolutions supporting up to 4K@60Hz



Item	ULT			
	8 Series	9 Series	100 Series	100 Series
Platform Name	Haswell	Broadwell	Skylake	Kabylake
Process	22nm	14nm	14nm	14nm
CPU Package	BGA1168	BGA1168	BGA1356	BGA1356
Memory	DDR3L	DDR3/DDR3L 1600	DDR3L/DR4	DDR3L/DR4
PCI Express Lanes	Up to 8 Lanes PCIe (Gen2)	Up to 12 PCIe (Gen2)	Up to 12 PCIe (Gen3)	Up to 12 PCIe (Gen3)
PCH	PCH-LP	PCH-LP	PCH-LP Premium/Base	PCH-LP Premium/Base

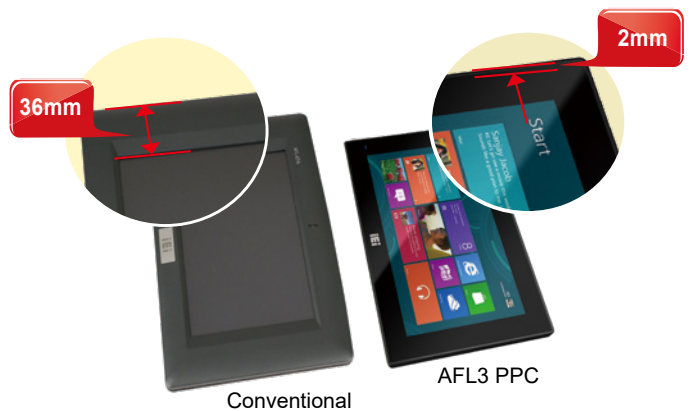
» Easy Assembly and Stylish Outlook

Screw-less Design

Only 2 screws are needed for rear cover installation, making it easy to access and replace storage and PCIe Mini card quickly.

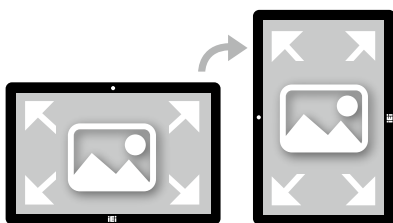


2mm Narrow Bezel



Symmetric Bezel

Landscape/Portrait screen mode supports different applications



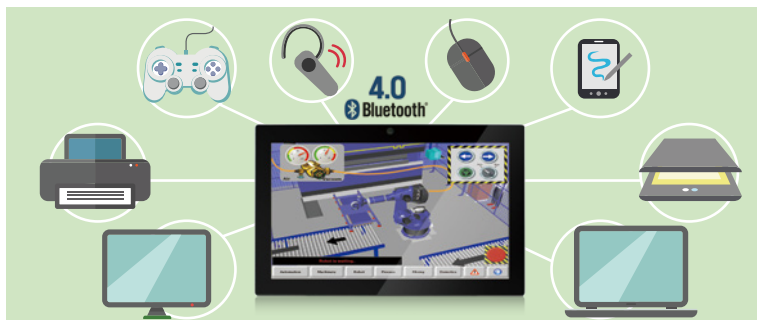
Light Weight Plastic Housing

The ABS plus PC plastic housing helps to shape the stylish outlook and only weight 1/3 of metal housing panel PC.



» Bluetooth 4.0 (optional)

- Bluetooth 4.0 (BLE :Bluetooth Low Energy)/ 3.0 + HS (High Speed) data rate up to 24 Mbit/s
- 10m~20m (depending on environment)



Version	Data rate	Maximum application throughput
Version 1.2	1 Mbit/s	0.7 Mbit/s
Version 2.0 + EDR	3 Mbit/s	2.1 Mbit/s
Version 3.0 + HS	Perhaps 24 Mbit/s	(note: only with AMP and depends on the AMP, BT itself remains 2.1 Mbit/s max)
Version 4.0	Perhaps 24 Mbit/s	(note: only with AMP and depends on the AMP, BT itself remains 2.1 Mbit/s max)

» Selectable AT/ATX Power Mode



Convenient Power Mode Setting

AT Power Mode



With the AT mode selected, the power is controlled by a central power unit rather than a Power Button. The AFOLUX PPCs turns on automatically when the power is connected.



Applications

- Plant environment monitoring system
- Factory automation platform
- Manufacturing shop flow

Advantages

- Easy to turn on/off with wall/ panel mounting
- Automatic start when power connected

ATX Power Mode



With the ATX mode selected, the AFL series panel PC goes in a standby mode when it is turned off. The panel PC can be easily turned on via network or a Power Button in standby mode. Remote power control is perfect for advertising applications since the broadcasting time for each panel PC can be set individually and controlled remotely.



Applications

- Security surveillance
- Advertising terminal

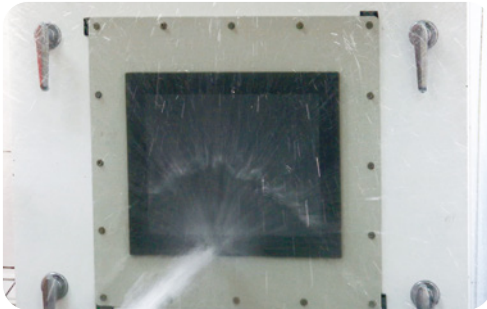
Advantages

- Power management
- Remote control via network advantage

» IP65 Front Panel /IPx1 Rear Protection

The IP 65 compliant front panel of the AFOLUX GEN III panel PC has passed tests to check if there is any water, dust or dirt passing the sealing design. Reference IEC60529 Testing Procedures:

Hose Diameter: 25.4 mm (UL50 Type 4X), The distance from water hose to DUT is 3 meters.



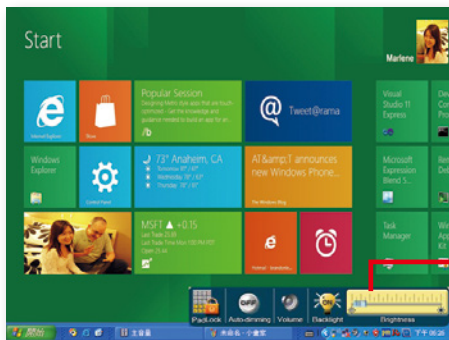
Test for protection against water



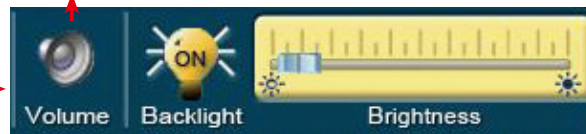
Test for protection against dust

» Software OSD Configuration

IEI patented system software utility allows users to adjust system settings through the software interface in Windows environment instead of pressing the membrane keypad below the front panel.



Volume adjustment



Brightness adjustment

*Support OS
Windows 7
Windows 8 / Windows 8.1
Windows 10 / Windows 10.1

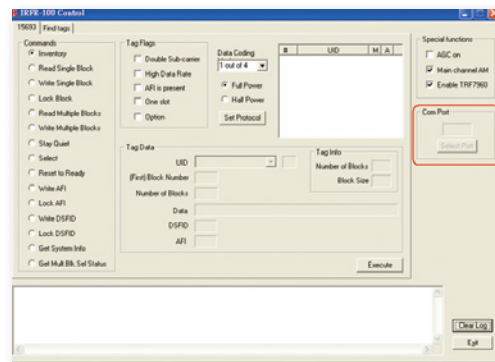
» Rich Peripherals



A. Built-in 13.56 MHz Mifare RFID Reader



IEI RFID Software Development Kit



Model	AFL3-MF-RFID-KIT02-R10	
Support Protocol	ISO 15693/ISO 14443A/ISO 14443B	
RF Frequency	13.56 MHz	
RFID IC	TI TRF7960	
Operating Distance	2-3cm	
Interface	USB	
Driver Support	Windows® 2000 Windows® XP Windows® 7/8 Windows® 10	Windows® Server 2003 Windows® Server 2008 Windows® Server 2008 R2 (x86 and x64)

- COM Port Settings and Activation Area**
 Allows the user to select the serial port that communicates with the RFID reader module.
- Commands Area**
 Displays various command options for user to select.
- Data Input Area**
 The data input area is where the user enters block number, key, key data, and other information required by certain commands.
- Raw Data Display Area**
 Shows all communication logs and responses of the executed commands.
- Mifare Card ID Display Area**
 Displays the Mifare card ID when the Mifare card is detected.
- Error Code Display Area**
 Shows the error message when an error occurs.

B. 1D/2D Barcode Reader

Modularized 1D/2D Barcode Scanner and Easy to Assemble

- Accurately decodes all 1D and 2D codes, even wrinkled, damaged or poorly printed
- 752×480 CMOS sensor captures high resolution images for decoding
- Horizontal 42° and Vertical 27.5° large scanning area



Technology	1D Code	2D Code
Read Condition	20 to 25 characters	100 to about 2, 000 characters



Efficient Scanning Performance

- Area-scanning features non-direction reading drive scanning performance
- 120 mm scanning distance



Modularized 1D/2D Barcode Scanner

AFOLUX GEN III Selection Guide



LCD Size		7"	8.4"
Model		AFL3-W07A-BT	AFL3-08A-BT
LCD	Size	7"	8.4"
	Resolution	1024 x 600 (16:9)	800 x 600 (4:3)
	Brightness (cd/m ²)	500	450
	Contrast Ratio	700:1	600:1
	LCD Color	16.2M	16.2M
	Pixel Pitch (mm)	0.0635 (H) x 0.1905 (V)	0.213 (H) x 0.213 (V)
	Viewing Angle (H-V)	150° / 145°	160° / 140°
	Backlight MTBF(hrs)	20000 hrs	50000 hrs
Touch	Touch Screen	Projected capacitive with USB interface (anti-UV / anti-glare coating)	5-wire resistive with RS-232 interface (anti-glare coating) Projected capacitive with USB interface (anti-UV / anti-glare coating)
	Touch Controller	EETI EXC3160	PenMount DMC 9000/EETI EXC3146
Motherboard	CPU	Intel® Celeron® N2807 (dual core, 1.58 GHz)	Intel® Celeron® J1900 (quad core, 2.0 GHz)
	RAM	2GB DDR3L onboard RAM	One 204-pin 2 GB 1333MHz single-channel, 2GB DDR3L SO-DIMM pre-installed (system max. 8GB)
	Ethernet	2 x PCIe GbE by RTL8111HN-CG	2 x PCIe GbE by RTL8111HN-CG controller
	Audio Codec	Realtek ALC 888S	
Storage		mSATA	
I/O Ports & Switch	2 x RS-232 COM port (DB-9 connector) 2 x USB 3.2 Gen 1 (5Gb/s) 2 x GbE LAN 1 x Power Button 1 x Reset button 1 x AT/ATX switch 1 x 9-30V Lockable power jack		1 x RS-232 COM port (RJ-45 connector) 1 x RS-232/422/485 COM port (DB-9 connector) (RI/5V/12V) 2 x USB 3.2 Gen 1 (5Gb/s) 2 x RJ-45 for GbE LAN 1 x Power Button 1 x Audio port (line-out) 1 x Reset button 1 x AT/ATX switch 1 x 9-30V DC Lockable power jack
	Audio	AMP 2W (internal speaker, left channel output)	AMP 2W + 2W (internal speaker)
Camera and Microphone		N/A	2-megapixel with low light function, digital microphone
Wireless & Bluetooth		IEEE 802.11 a/b/g/n/ac / Bluetooth 4.2 half-size mini-PCIe slot (PCIe / USB signal)	
OSD Function		Software OSD	
Physical	Front Panel Construction	PC + ABS Plastic	
	Mounting	Panel, Wall, Stand, Arm, Rack VESA 75mm x 75mm	
	Color	Black C	
	Dimensions (WxHxD) (mm)	191 x 127 x 43	233 x 175 x 50
	Cut-out Dimensions (WxH) (mm)	182 x 111	207 x 143
	Net/Gross Weight (kgs)	0.73/1.81	0.8/2.44
Environment	Operating Temperature (°C) (Ambient with air flow)	-20°C ~ 50°C	-15°C ~ 55°C
	Storage Temperature (°C)	-20°C ~ 60°C	-20°C ~ 65°C
	Humidity	10% to 95% (non-condensing)	
	IP Level	IP 65 compliant front panel	IP 64 compliant front panel
	Safety&EMC	CE / FCC	
Thermal Solution		Fanless	
Power	Power Requirement	9 V ~ 30 V DC	
	Power Consumption	12V@2.08 (Intel® N2807 CPU with 2GB 1333 MHz DDR3L memory)	12V@2A (Intel® J1900 CPU with 2GB 1333 MHz DDR3L memory)

AFOLUX GEN III Selection Guide



LCD Size		10.1"	12.1"
Model		AFL3-W10A-BT	AFL3-12A-BT
LCD	Size	10.1"	12.1"
	Resolution	1280 x 800 (16:10)	1024 x 768 (4:3)
	Brightness (cd/m ²)	350	500
	Contrast Ratio	800:1	700:1
	LCD Color	16.2M	16.2M
	Pixel Pitch (mm)	0.1695 (H)×0.1695 (V)	0.240 (H) x 0.240 (V)
	Viewing Angle (H-V)	170° / 170°	160° / 140°
	Backlight MTBF(hrs)	15000 hrs	50000 hrs
Touch	Touch Screen	Projected capacitive with USB interface (anti-UV / anti-glare coating)	5-wire resistive with RS-232 interface (anti-glare coating) Projected capacitive with USB interface (anti-UV / anti-glare coating)
	Touch Controller	EETI EXC3146	PenMount DMC9000/ EETI EXC3146
Motherboard	CPU	Intel® Celeron® J1900 (quad core, 2.0 GHz)	
	RAM	One 204-pin 2 GB 1333MHz single-channel, 2GB DDR3L SO-DIMM pre-installed (system max. 8GB)	
	Ethernet	2 x PCIe GbE by RTL8111HN-CG controller	
	Audio Codec	Realtek ALC 888S	
Storage	1 x mSATA	1 x mSATA 1 x 2.5" SATA 3Gb/s HDD bay	
I/O Ports & Switch	1 x RS-232 COM port (RJ-45 connector) 1 x RS-232/422/485 COM port (DB-9 connector)(RI/5V/12V) 2 x USB 3.2 Gen 1 (5Gb/s) 2 x USB 2.0 2 x RJ-45 for GbE LAN 1 x Power Button 1 x Audio port (line-out) 1 x Reset button 1 x AT/ATX switch 1 x 9-30V DC lockable power jack	1 x RS-232 COM port (RJ-45 connector) 1 x RS-232/422/485 COM port (DB-9 connector)(RI/5V/12V) 2 x USB 3.2 Gen 1 (5Gb/s) 2 x USB 2.0 2 x RJ-45 for GbE LAN 1 x Power Button 1 x Audio port (line-out) 1 x Reset button 1 x AT/ATX switch 1 x 9-30V lockable power jack	
Audio	AMP 2W + 2W (internal speaker)	AMP 3W + 3W (internal speaker)	
Camera and Microphone	2-megapixel with low light function, digital microphone		
Wireless	IEEE 802.11 a/b/g/n/ac / Bluetooth 4.2 half-size mini-PCIe slot (PCIe / USB signal)	IEEE 802.11a/b/g/n/ac half-size mini-PCIe slot (PCIe signal)	
OSD Function	Software OSD		
Physical	Front Panel Construction	PC + ABS Plastic	
	Mounting	Panel, Wall, Stand, Arm, Rack VESA 75mm x 75mm	Panel, Wall, Rack, Stand and Arm VESA 75mm x 75mm / 100mm x 100mm
	Color	Black C	
	Dimensions (WxHxD) (mm)	262 x 181 x 42	304 x 243 x 44
	Cut-out Dimensions (WxH) (mm)	236 x 149	243 x 205
	Net/Gross Weight (kgs)	1.06/2.58	1.92/3.95
	Environment	Operating Temperature (Ambient with air flow)	-10°C ~ 50°C
Storage Temperature		-20°C ~ 60°C	-20°C ~ 60°C
Humidity		10% to 95% (non-condensing)	
IP Level		IP 64 compliant front panel	
Safety&EMC		CE / FCC	
Thermal Solution		Fanless	
Power		Power Requirement	9 V ~ 30 V DC
	Power Consumption	12V@2.3A (Intel® J1900 CPU with 2GB 1333 MHz DDR3L memory)	12V@3.58A (Intel® J1900 CPU with 2GB 1333 MHz DDR3L memory)

AFOLUX GEN III Selection Guide



LCD Size		15.6"	18.5"
Model		AFL3-W15A-BT	AFL3-W19A-AL
LCD	Size	15.6"	18.5"
	Resolution	1366 x 768 (16:9)	1366 x 768 (16:9)
	Brightness (cd/m ²)	400	250
	Contrast Ratio	500:1	1000:1
	LCD Color	16.2M	262K
	Pixel Pitch (mm)	0.240 (H) x 0.240 (V)	0.240 (H) x 0.240 (V)
	Viewing Angle (H-V)	170° / 160°	170°/160°
	Backlight MTBF(hrs)	50000 (LED backlight)	30, 000 (LED backlight panel)
Touch	Touch Screen	5-wire resistive with RS-232 interface (anti-glare coating), Projected capacitive with USB interface (anti-UV / anti-glare coating)	Projected capacitive with USB interface (anti-UV / anti-glare coating)
	Touch Controller	PenMount DMC9000 / EETI EXC3188	EETI EXC3188
Motherboard	CPU	Intel® Celeron® J1900 (quad core, 2 GHz)	Intel® Celeron® J3455 (quad core, 1.5GHz up to 2.3 GHz)
	Chipset		
	RAM	One 204-pin 1333 MHz single-channel DDR3L SO-DIMM, 2GB pre-installed (system max. 8GB)	One 204-pin 1600/1333 MHz single-channel DDR3L SO-DIMM, 4GB pre-installed (system max. 8GB)
	Ethernet	2 x PCIe GbE by RTL8111HN-CG controller	2 x PCIe GbE by Intel® i211 controller
	Audio Codec	Realtek ALC 888S	Realtek ALC 269
Storage	1 x mSATA 1 x 2.5" SATA 3Gb/s HDD bay	1 x mSATA 1 x 2.5" SATA 3Gb/s HDD bay	
I/O Ports & Switch	1 x RS-232 COM port (RJ-45 connector) 1 x RS-232/422/485 COM port (DB-9 connector) (R1/5V/12V) 2 x USB 2.0 2 x USB 3.2 Gen 1 (5Gb/s) 2 x GbE LAN 1 x Power Button 1 x Reset button 1 x AT/ATX switch 1 x Audio port (line-out) 1 x 9-30V lockable power jack	1 x RS-232/422/485 by RJ-45 1 x RS-232 by RJ-45 2 x GbE LAN 2 x USB 3.2 Gen 1 (5Gb/s) 2 x USB 2.0 1 x HDMI output 1 x 12V ~ 34V DC Jack 1 x Power Button 1 x AT/ATX switch 1 x Line out	
Audio	AMP 3W + 3W (internal speakers)	AMP 3W + 3W (internal speaker)	
Camera and Microphone	2-megapixel with low light function, digital microphone	2-megapixel with low light function, digital microphone	
Wireless & Bluetooth	IEEE 802.11a/b/g/n/ac half-size mini-PCIe slot (PCIe signal)	IEEE 802.11 a/b/g/n/ac, Bluetooth V4.1 M.2 slot A+E key 2230 slot (PCIe/USB signal)	
OSD Function	Software OSD	Software OSD	
Physical	Front Panel Construction	PC + ABS Plastic	PC + ABS Plastic
	Mounting	Panel, Wall, Rack, Stand and Arm VESA 75mm x 75mm / 100mm x 100mm	Panel, Wall, Stand and Arm VESA 100mm x 100mm
	Color	Black C	Black C
	Dimensions (WxHxD) (mm)	396 x 250 x 53	470 x 280 x 60
	Cut-out Dimensions (WxH) (mm)	273 x 226	418 x 230
	Net/Gross Weight (kgs)	3.3/5.6	6.3/9
Environment	Operating Temperature (°C) (Ambient with air flow)	-20°C ~ 50°C	-15°C ~ 50°C
	Storage Temperature (°C)	-20°C ~ 60°C	-20°C ~ 60°C
	Humidity	10% to 95% (non-condensing)	10% to 95% (non-condensing)
	IP Level	IP 64 compliant front panel	IP 64 compliant front panel
	Safety & EMC	CE / FCC	CE / FCC
Power	Thermal Solution	Fanless	Fanless
	Power Requirement	9 V ~ 30 V	12V ~ 34V DC
	Power Consumption	12V@4.16A (Intel® J1900 CPU with 2GB 1333 MHz DDR3 memory)	12V@3.2A (Intel® Celeron J3455 CPU with 4GB DDR3L 1866 MHz DDR3L memory)

AFL3-W07A-BT

Intel® Celeron® N2807 (Dual Core, 1.58 GHz)

AFL3-08A-BT

Intel® Celeron® J1900 (Quad Core, 2.0 GHz)



Features

- W7"~8.4" light industrial interactive panel PC
- 9 V ~ 30 V wide range DC input with lockable DC jack
- Selectable AT/ATX power mode
- Built-in speakers
- One mSATA slot
- IP64/IP65 compliant front panel
- IEI One Key Recovery solution allows you to create rapid OS backup and recovery (suggested with over 4GB storage capacity)



Specifications

Model		AFL3-W07A-BT	AFL3-08A-BT
LCD	Size	7"	8.4"
	Resolution	1024 x 600 (16:9)	800 x 600 (4:3)
	Brightness (cd/m ²)	500	450
	Contrast Ratio	700:1	600:1
	LCD Color	16.2M	16.2M
	Pixel Pitch (mm)	0.0635 (H) x 0.1905 (V)	0.213 (H) x 0.213 (V)
	Viewing Angle (H-V)	150° / 145°	160° / 140°
	Backlight MTBF(hrs)	20000 hrs	50000 hrs
Touch	Touch Screen	Projected capacitive with USB interface (anti-UV / anti-glare coating)	5-wire resistive with RS-232 interface (anti-glare coating) Projected capacitive with USB interface (anti-UV / anti-glare coating)
	Touch Controller	EETI EXC3160	PenMount DMC 9000/EETI EXC3146
Motherboard	CPU	Intel® Celeron® N2807 (dual core, 1.58 GHz)	Intel® Celeron® J1900 (quad core, 2.0 GHz)
	RAM	2GB DDR3L onboard RAM	One 204-pin 2 GB 1333MHz single-channel, 2GB DDR3L SO-DIMM pre-installed (system max. 8GB)
	Ethernet	2 x PCIe GbE by RTL8111HN-CG	2 x PCIe GbE by RTL8111HN-CG controller
	Audio Codec	Realtek ALC 888S	Realtek ALC 888S
Storage	mSATA		
I/O Ports & Switch	2 x RS-232 COM port (DB-9 connector) 2 x USB 3.2 Gen 1 (5Gb/s) 2 x GbE LAN 1 x Power Button 1 x Reset button 1 x AT/ATX switch 1 x 9-30V Lockable power jack	1 x RS-232 COM port (RJ-45 connector) 1 x RS-232/422/485 COM port (DB-9 connector) (RI/5V/12V) 2 x USB 3.2 Gen 1 (5Gb/s) 2 x RJ-45 for GbE LAN 1 x Power Button 1 x Audio port (line-out) 1 x Reset button 1 x AT/ATX switch 1 x 9-30V DC Lockable power jack	
Audio	AMP 2W (internal speaker, left channel output)	AMP 2W + 2W (internal speaker)	
Camera and Microphone	N/A	2-megapixel with low light function, digital microphone	
Wireless & Bluetooth	IEEE 802.11 a/b/g/n/ac / Bluetooth 4.2 half-size mini-PCIe slot (PCIe / USB signal)	IEEE 802.11 a/b/g/n/ac / Bluetooth 4.2 half-size mini-PCIe slot (PCIe / USB signal)	
OSD Function	Software OSD		
Physical	Front Panel Construction	PC + ABS Plastic	
	Mounting	Panel, Wall, Stand, Arm, Rack VESA 75mm x 75mm	
	Color	Black C	
	Dimensions (WxHxD) (mm)	191 x 127 x 43	233 x 175 x 50
	Cut-out Dimensions (WxH) (mm)	182 x 111	207 x 143
	Net/Gross Weight (kgs)	0.73/1.81	0.8/2.44
Environment	Operating Temperature (°C) (Ambient with air flow)	-20°C~50°C	-15°C~55°C
	Storage Temperature (°C)	-20°C~60°C	-20°C~65°C
	Humidity	10% to 95% (non-condensing)	
	IP Level	IP 65 compliant front panel	IP 64 compliant front panel
	Safety&EMC	CE / FCC	
	Thermal Solution	Fanless	
Power	Power Requirement	9 V ~ 30 V	
	Power Consumption	12V@2.08 (Intel® N2807 CPU with 2GB 1333 MHz DDR3L memory)	12V@2A (Intel® J1900 CPU with 2GB 1333 MHz DDR3L memory)

Ordering Information

Part No.	Description
AFL3-W07A-BT-N1/PC/2G-R20	7" 500 cd/m ² 1024 x 600 HD fanless panel PC with Intel® Celeron® N2807 dual core 1.58 GHz, 802.11a/b/g/n/ac, projected capacitive touch screen, on-board 2GB DDR3L RAM, R20
AFL3-W07A-BT-N1/PC/2G/MF-R20	7" 500 cd/m ² 1024 x 600 HD fanless panel PC with Intel® Celeron® N2807 dual core 1.58 GHz, 802.11a/b/g/n/ac, projected capacitive touch screen, on-board 2GB DDR3L RAM, Mifare RFID, R20
AFL3-08A-BT-J1/R/2G-R14	8.4" 450cd/m ² SVGA fanless panel PC with Intel® Celeron® J1900 quad core 2 GHz, 802.11 a/b/g/n/ac wireless module, resistive touch window, 2GB DDR3L RAM, R14

Options

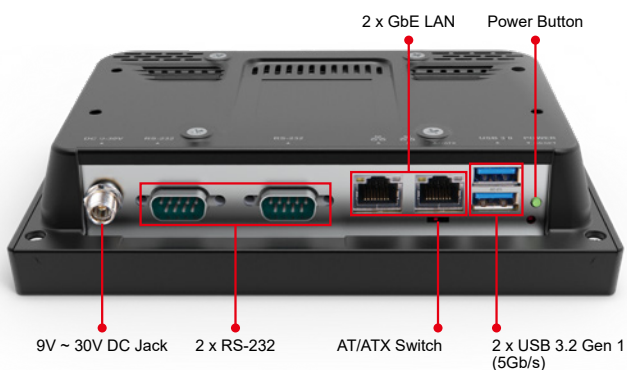
Item	AFL3-W07A-BT	AFL3-08A-BT
Panel Mounting Kit	AFL3PK-W07A-R11	AFL3PK-08A-R10
Wall Mounting Kit	AFLWK-12	AFLWK-12
Rack Mounting Kit	AFL3RK-W07A-R11	AFL3RK-08A-R10
Arm	ARM-11-RS/ARM-31-RS	ARM-11-RS/ARM-31-RS
Stand	STAND-A21-R10/STAND-210-R11/STAND-C12-R10	
V-Stand	VSTAND-A07-R11	VSTAND-A10-R11
Barcode Scanner	N/A	AFL3-2D-R11
RFID Reader (13.56 MHz Mifare Type)	AFL3-W07A-BT-N1/PC/2G/MF-R20	N/A (Customized by project base)
*OS: Win 7 Embedded (64-bit)	AFL3-W07A-BT-WES7P64-R12 (for PCAP touch)	AFL3-W07A-BT-WES7P64-R12 (for PCAP touch) AFL3-W07A-BT-WES7E64-R12 (for Resistive touch)
*OS: Win 10 IOT Enterprise (64-bit)	AFL3-W07A-BT-W10E64-E-R12	

*OS image with CD-ROM without storage

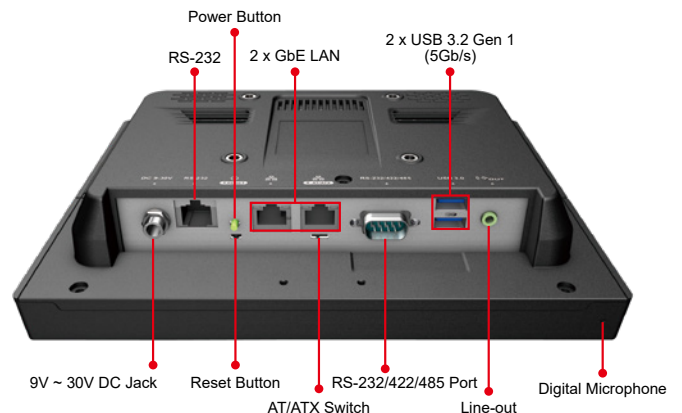
Packing List

Item	Part No.	Q'ty	Remark
Setting kit	46003-002600-RS	2	
Round head machine screw	44003-020041-RS	2	M2*4 round head machine screw
	44003-020041-RS	4	M2*4 round head machine screw
Pan head machine screw	44403-040061-RS	4	M4*6 pan head machine screw
Fix holder	46003-009500-RS	2	
Power cord	32702-000400-200-RS	1	
Power adapter	63040-010036-210-RS (AFL3-W07A-BT / AFL3-08A-BT)	1	36W; Vin: 90V~264V AC; Vout: 12VDC; Φ2.5/Φ5.5/lock
RJ-45 to DB-9 COM port transfer cable	32005-004600-100-RS (AFL3-08A)	1	300mm, 26AWG, (A) D-SUB 9 male, (B) RJ-45

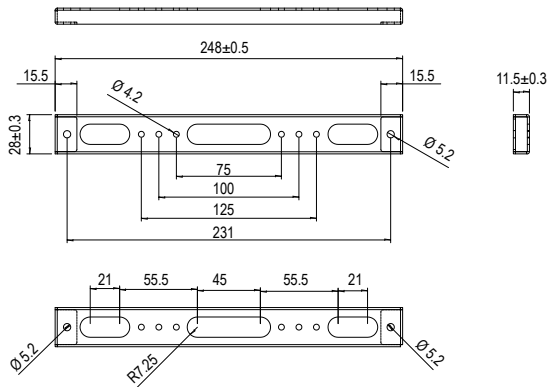
AFL3-W07A-BT Fully Integrated I/O



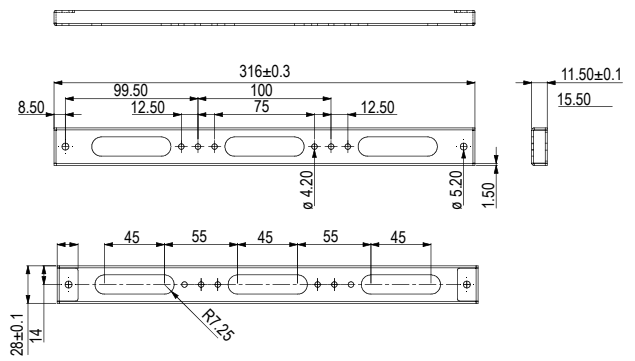
AFL3-08A-BT Fully Integrated I/O



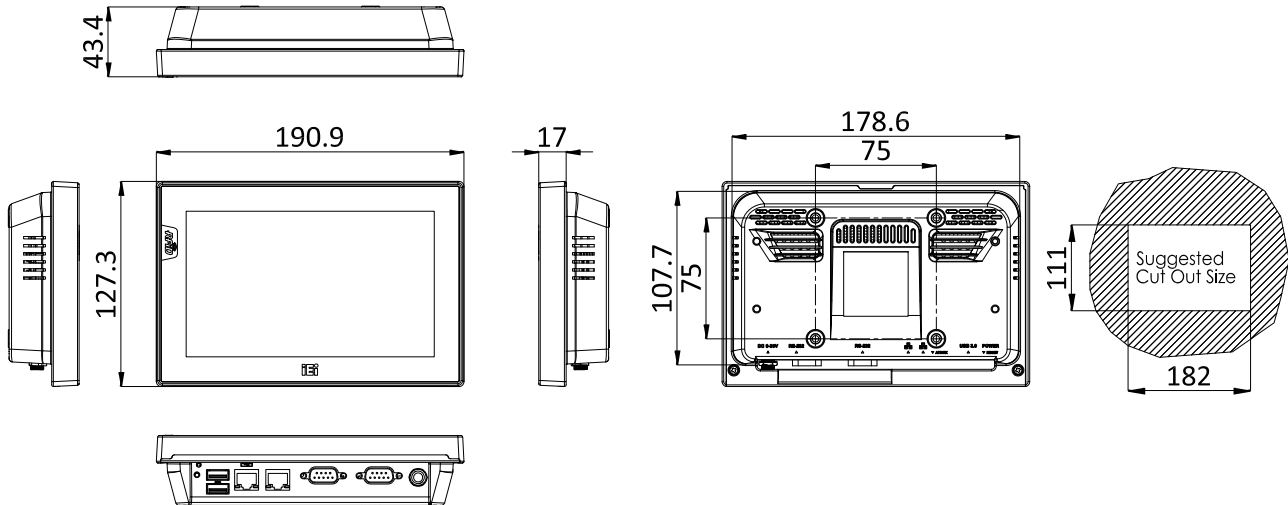
AFL3PK-W07A-R11
Panel Mounting Kit Dimensions (Unit: mm)



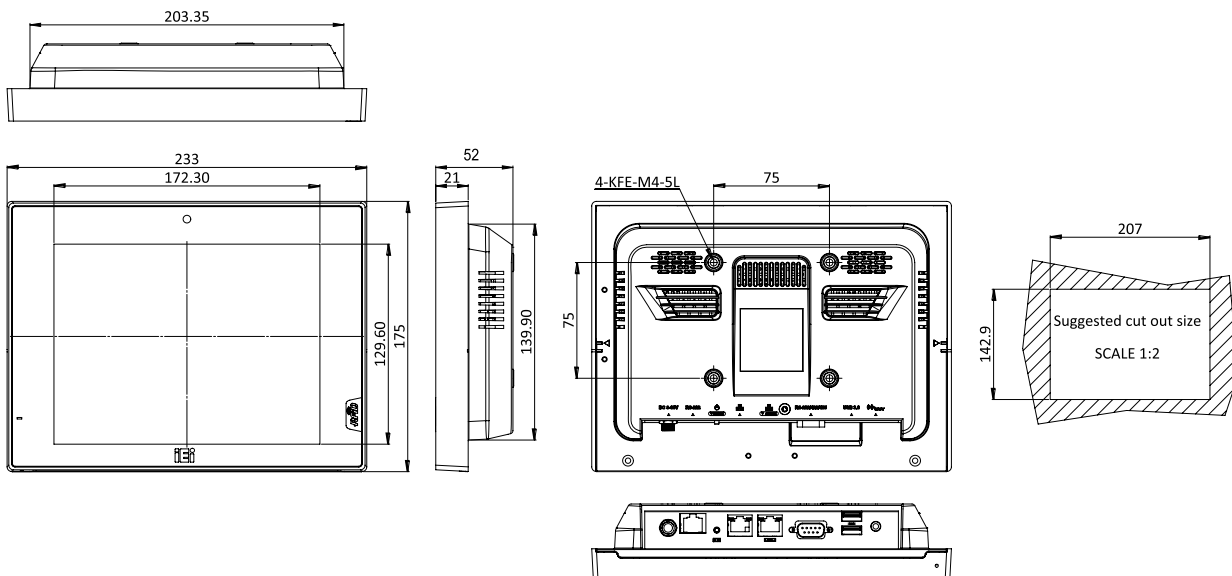
AFL3PK-08A-R10
Panel Mounting Kit Dimensions (Unit: mm)



AFL3-W07A-BT Dimensions (Unit: mm)



AFL3-08A-BT Dimensions (Unit: mm)



AFL3-W10A-BT

Intel® Celeron® J1900 (Quad Core, 2.0 GHz)

AFL3-12A-BT

Intel® Celeron® J1900 (Quad Core, 2.0 GHz)



Features

- W10"~12.1" light industrial interactive panel PC
- Wide range DC input with lockable DC jack
- Selectable AT/ATX power mode
- Built-in speakers
- One mSATA slot
- IP64 compliant front panel
- IEI One Key Recovery solution allows you to create rapid OS backup and recovery (suggested with over 4GB storage capacity)



Specifications

Model		AFL3-W10A-BT	AFL3-12A-BT
LCD	Size	10.1"	12.1"
	Resolution	1280 x 800 (16:10)	1024 x 768 (4:3)
	Brightness (cd/m ²)	350	500
	Contrast Ratio	800:1	700:1
	LCD Color	16.2M	16.2M
	Pixel Pitch (mm)	0.1695 (H)×0.1695 (V)	0.240 (H) x 0.240 (V)
	Viewing Angle (H-V)	170° / 170°	160° / 140°
	Backlight MTBF(hrs)	15000 hrs	50000 hrs
Touch	Touch Screen	Projected capacitive with USB interface (anti-UV / anti-glare coating)	5-wire resistive with RS-232 interface (anti-glare coating) Projected capacitive with USB interface (anti-UV / anti-glare coating)
	Touch Controller	EETI EXC3146	PenMount DMC9000/ EETI EXC3146
Motherboard	CPU	Intel® Celeron® J1900 (quad core, 2.0 GHz)	Intel® Celeron® J1900 (quad core, 2.0 GHz)
	RAM	One 204-pin 2 GB 1333MHz single-channel, 2GB DDR3L SO-DIMM pre-installed (system max. 8GB)	One 204-pin 2 GB 1333MHz single-channel, 2GB DDR3L SO-DIMM pre-installed (system max. 8GB)
	Ethernet	2 x PCIe GbE by RTL8111HN-CG controller	2 x PCIe GbE by RTL8111HN-CG controller
	Audio Codec	Realtek ALC 888S	
Storage	1 x mSATA	1 x mSATA 1 x 2.5" SATA 3Gb/s HDD bay	
I/O Ports & Switch	1 x RS-232 COM port (RJ-45 connector) 1 x RS-232/422/485 COM port (DB-9 connector)(RI/5V/12V) 2 x USB 3.2 Gen 1 (5Gb/s) 2 x USB 2.0 2 x RJ-45 for GbE LAN 1 x Power Button 1 x Audio port (line-out) 1 x Reset button 1 x AT/ATX switch 1 x 9-30V DC lockable power jack	1 x RS-232 COM port (RJ-45 connector) 1 x RS-232/422/485 COM port (DB-9 connector)(RI/5V/12V) 2 x USB 3.2 Gen 1 (5Gb/s) 2 x USB 2.0 2 x RJ-45 for GbE LAN 1 x Power Button 1 x Audio port (line-out) 1 x Reset button 1 x AT/ATX switch 1 x 9-30V lockable power jack	
Audio	AMP 2W + 2W (internal speaker)	AMP 3W + 3W (internal speaker)	
Camera and Microphone	2-megapixel with low light function, digital microphone		
Wireless	IEEE 802.11 a/b/g/n/ac / Bluetooth 4.2 half-size mini-PCIe slot (PCIe / USB signal)	IEEE 802.11 a/b/g/n/ac half-size mini-PCIe slot (PCIe signal)	
OSD Function	Software OSD		
Physical	Front Panel Construction	PC + ABS Plastic	
	Mounting	Panel, Wall, Stand, Arm VESA 75mm x 75mm	Panel, Wall, Rack, Stand and Arm VESA 75mm x 75mm / 100mm x 100mm
	Color	Black C	
	Dimensions (WxHxD) (mm)	262 x 181 x 42	304 x 243 x 44
	Cut-out Dimensions (WxH) (mm)	236 x 149	243 x 205
	Net/Gross Weight (kgs)	1.06/2.58	1.92/3.95
Environment	Operating Temperature (Ambient with air flow)	-10°C ~ 50°C	-20°C ~ 50°C
	Storage Temperature	-20°C ~ 60°C	-20°C ~ 60°C
	Humidity	10% to 95% (non-condensing)	
	IP Level	IP 64 compliant front panel	
	Safety&EMC	CE / FCC	
Thermal Solution	Fanless		
Power	Power Requirement	9 V ~ 30 V DC	
	Power Consumption	12V@2.3A (Intel® J1900 CPU with 2GB 1333 MHz DDR3L memory)	12V@3.58A (Intel® J1900 CPU with 2GB 1333 MHz DDR3L memory)

Ordering Information

Part No.	Description
AFL3-W10A-BT-J1/PC/2G-R14	10.1" 350cd/m ² 1280x800 fanless panel PC with Intel® Celeron® J1900 quad core 2 GHz, 802.11 a/b/g/n/ac wireless module, projected capacitive touch screen, 2GB DDR3L RAM, with AG, 2-megapixel camera, microphone, R14
AFL3-12A-BT-J1/PC/2G-R16	12.1" 500 cd/m ² XGA fanless panel PC with Intel® Celeron® J1900 quad core 2 GHz, 802.11a/b/g/n/ac wireless module, projected capacitive touch screen, 2GB DDR3L RAM, with AG, 2-megapixel camera, microphone, R16
AFL3-12A-BT-J1/R/2G-R16	12.1" 500 cd/m ² XGA fanless panel PC with Intel® Celeron® J1900 quad core 2 GHz, 802.11a/b/g/n/ac wireless module, resistive touch screen, 2GB DDR3L RAM, with AG, 2-megapixel camera, microphone, R16
AFL3-12A-BT-J1/PC/4G-R16	12.1" 500 cd/m ² XGA fanless panel PC with Intel® Celeron® J1900 quad core 2 GHz, 802.11a/b/g/n/ac wireless module, projected capacitive touch screen, 4GB DDR3L RAM, with AG, R16
AFL3-12A-BT-J1/R/4G-R16	12.1" 500 cd/m ² XGA fanless panel PC with Intel® Celeron® J1900 quad core 2 GHz, 802.11a/b/g/n/ac wireless module, resistive touch screen, 4GB DDR3L RAM, with AG, R16

Options

Item	AFL3-W10A-BT	AFL3-12A-BT
Panel Mounting Kit	AFL3PK-08A-R10	
Wall Mounting Kit	AFLWK-12	AFLWK-19B
Rack Mounting Kit	AFL3RK-W10A-R10	-
Arm	ARM-11-RS/ARM-31-RS	
Stand	STAND-A21-R10/STAND-210-R11/STAND-C12-R10	
V-Stand	VSTAND-A10-R11	VSTAND-A12-R11
Barcode Scanner	AFL3-2D-R11	
RFID Reader **(13.56 MHz Mifare Type) for ATO assembly	AFL3-MF-RFID-KIT02-R10	AFL3-MF-RFID-KIT02-R10**
OS: Win 7 Embedded (64-bit)	AFL3-W07A-BT-WES7P64-R12 (for PCAP touch)	AFL3-W07A-BT-WES7P64-R12* (for PCAP touch) AFL3-W07A-BT-WES7E64-R12* (for Resistive touch)
*OS: Win 10 IOT Enterprise	AFL3-W07A-BT-W10E64-E-R12	

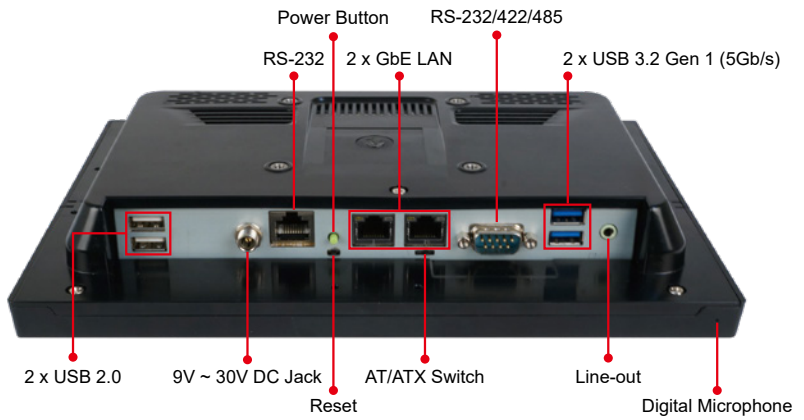
**RFID is supported from AFL3-xxA-BT R11 version

*OS image with CD-ROM without storage

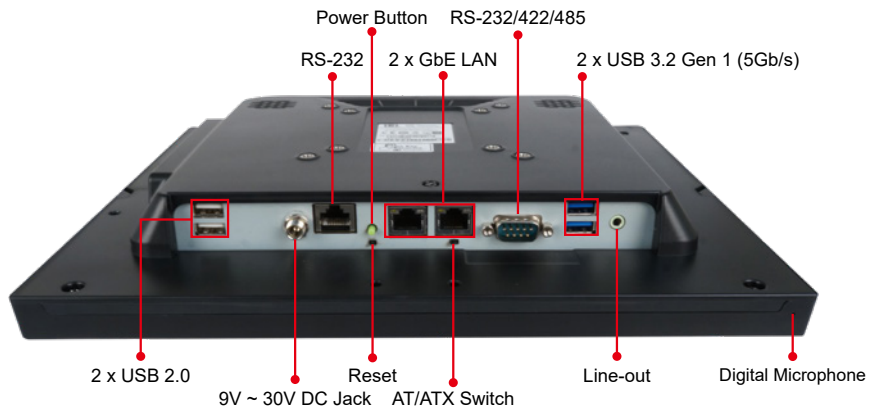
Packing List

Item	Part No.	Q'ty	Remark
Round head machine screw	44003-020041-RS (12A-BT)	2	M2*4 round head machine screw
Pan head machine screw	44403-040061-RS	4	M4*6 pan head machine screw
Fix holder	46003-009500-RS	2	
Power adapter	63040-010036-210-RS (AFL3-W10A-BT) 63040-010060-211-RS (AFL3-12A-BT)	1	36W; Vin: 90V~264V AC; Vout: 12VDC 60W; Vin: 90V~264V AC; Vout: 12VDC
RJ-45 to DB-9 COM port transfer cable	32005-004600-100-RS	1	300mm, 26AWG, (A) D-SUB 9 male, (B) RJ-45

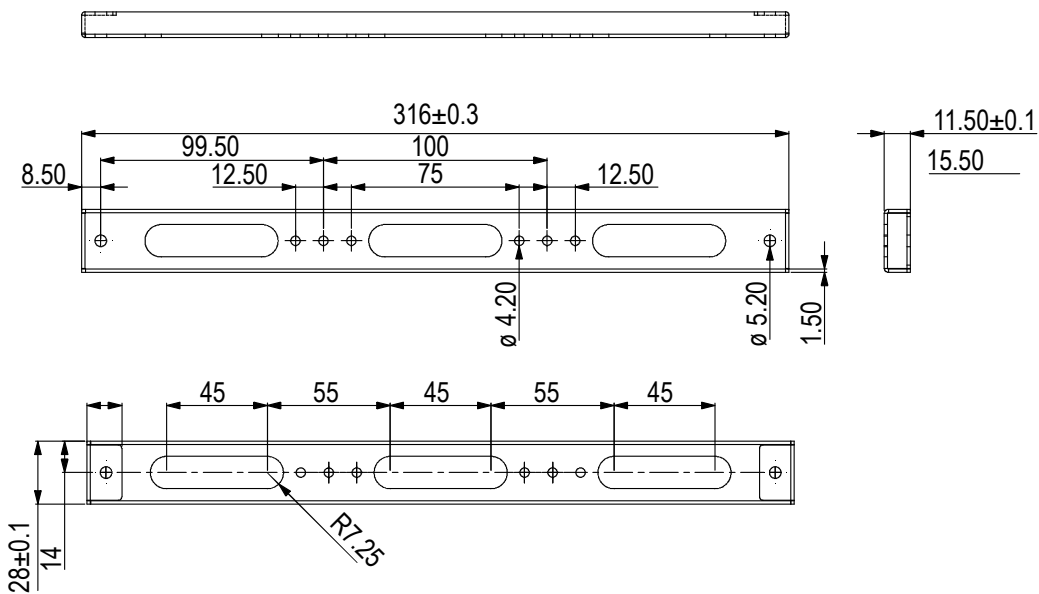
AFL3-W10A-BT
Fully Integrated I/O



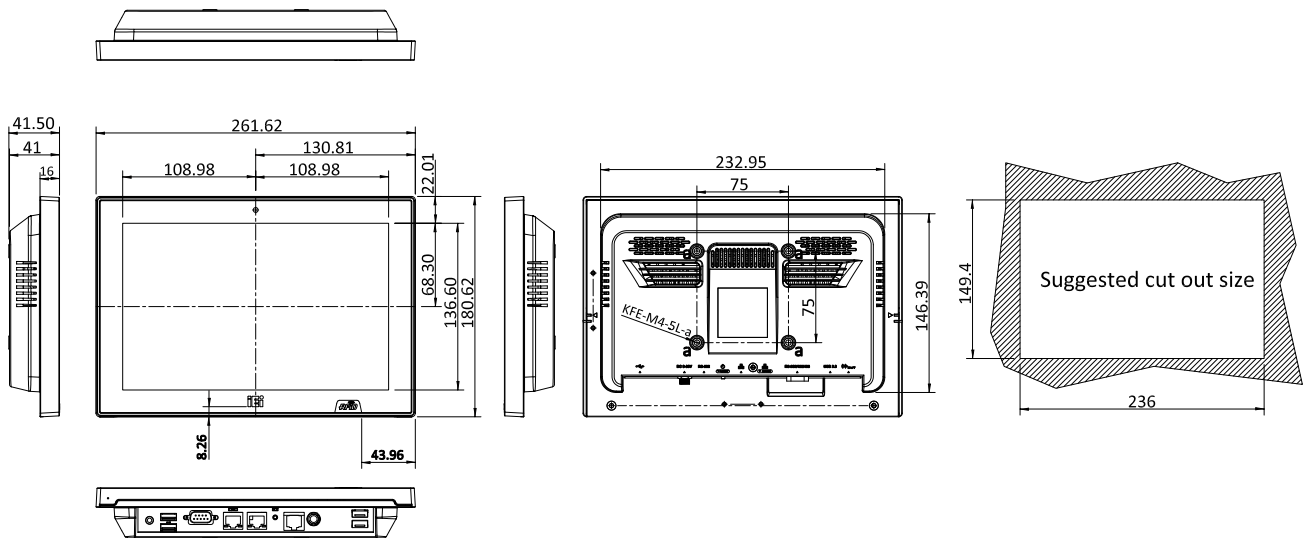
AFL3-12A-BT
Fully Integrated I/O



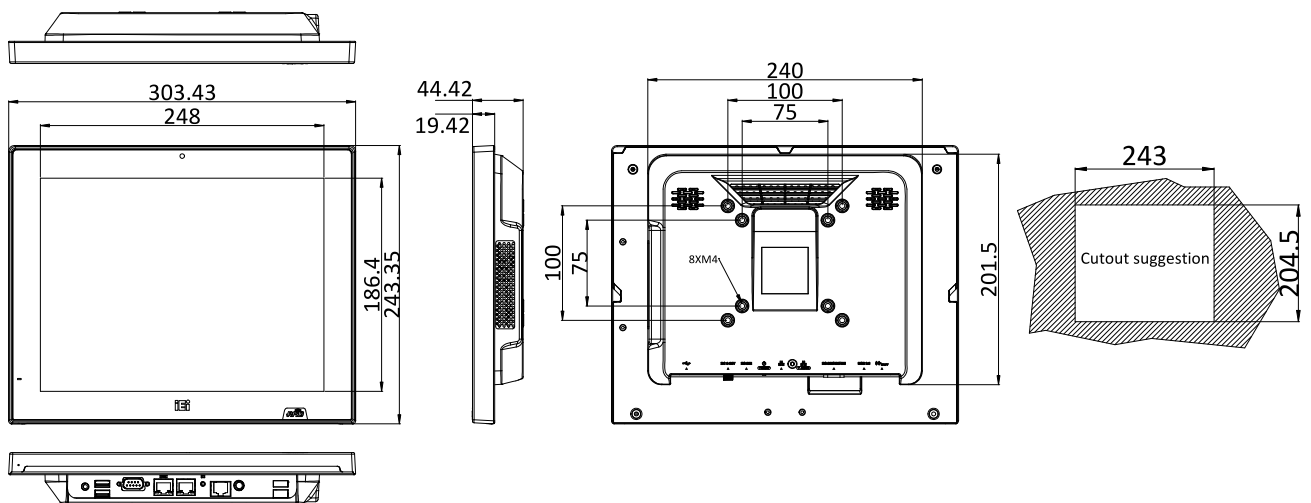
AFL3PK-08A-R10
Panel Mounting Kit Dimensions (Unit: mm)



AFL3-W10A-BT Dimensions (Unit: mm)



AFL3-12A-BT Dimensions (Unit: mm)



AFL3-W15A-BT

Intel® Celeron® J1900 (Quad Core, 2.0 GHz)



Features

- W15" light industrial interactive panel PC
- 9 V ~ 30 V wide range DC power input
- Selectable AT/ATX power mode
- Built-in speakers
- One mSATA slot
- IP64 compliant front panel
- IEI One Key Recovery solution allows you to create rapid OS backup and recovery (suggested with over 4GB storage capacity)



Specifications

Model		AFL3-W15A-BT
LCD	Size	15.6"
	Resolution	1366 x 768 (16:9)
	Brightness (cd/m ²)	400
	Contrast Ratio	500:1
	LCD Color	16.2M
	Pixel Pitch (mm)	0.240 (H) x 0.240 (V)
	Viewing Angle (H-V)	170° / 160°
	Backlight MTBF(hrs)	50000 (LED backlight)
Touch	Touch Screen	5-wire resistive with RS-232 interface (anti-glare coating), Projected capacitive with USB interface (anti-UV / anti-glare coating)
	Touch Controller	PenMount DMC9000 / EETI EXC3188
Motherboard	CPU / Chipset	Intel® Celeron® J1900 (quad core, 2 GHz)
	RAM	One 204-pin 1333 MHz single-channel DDR3L SO-DIMM, 2GB pre-installed (system max. 8GB)
	Ethernet	2 x PCIe GbE by RTL8111HN-CG controller
	Audio Codec	Realtek ALC 888S
Storage		1 x mSATA 1 x 2.5" SATA 3Gb/s HDD bay
I/O Ports & Switch		1 x RS-232 COM port (RJ-45 connector) 1 x RS-232/422/485 COM port (DB-9 connector) (RI/5V/12V) 2 x USB 2.0 2 x USB 3.2 Gen 1 (5Gb/s) 2 x GbE LAN 1 x Power button 1 x Reset button 1 x AT/ATX switch 1 x Audio port (line-out) 1 x 9-30V lockable power jack
Audio		AMP 3W + 3W (internal speakers)
Camera and Microphone		2-megapixel with low light function, digital microphone
Wireless & Bluetooth		IEEE 802.11 a/b/g/n/ac half-size mini-PCIe slot (PCIe signal)
OSD Function		Software OSD
Physical	Front Panel Construction	PC + ABS Plastic
	Mounting	Panel, Wall, Rack, Stand and Arm VESA 75mm x 75mm / 100mm x 100mm
	Color	Black C
	Dimensions (WxHxD) (mm)	396 x 250 x 53
	Cut-out Dimensions (WxH) (mm)	273 x 226
	Net/Gross Weight (kgs)	3.3/5.6
Environment	Operating Temperature (°C) (Ambient with air flow)	-20°C ~ 50°C
	Storage Temperature (°C)	-20°C ~ 60°C
	Humidity	10% to 95% (non-condensing)
	IP Level	IP 64 compliant front panel
	Safety & EMC	CE / FCC
	Thermal Solution	Fanless
Power	Power Requirement	9 V ~ 30 V
	Power Consumption	12V@4.16A (Intel® J1900 CPU with 2GB 1333 MHz DDR3 memory)

Ordering Information

Part No.	Description
AFL3-W15A-BT-J1/R/2G-R15	Wide 15.6" 400 cd/m ² 1366 x 768 fanless panel PC with Intel® Celeron® J1900 quad core 2 GHz, 802.11a/b/g/n/ac, resistive touch window, 2GB DDR3L RAM, 2-megapixel camera, microphone, R15
AFL3-W15A-BT-J1/R/4G-R15	Wide 15.6" 400 cd/m ² 1366x768 fanless panel PC with Intel® Celeron® J1900 quad core 2 GHz, 802.11a/b/g/n/ac wireless module, resistive touch window, 4GB DDR3L RAM, with AG, R15

Packing List

Item	Part No.	Q'ty	Remark
Round head machine screw	44003-020041-RS (W15A-BT/15B-H81)	4	M2*4 round head machine screw
Pan head machine screw	44403-040061-RS	4	M4*6 pan head machine screw
Fix holder	46003-009500-RS	2	
Power adapter	63040-010060-211-RS (AFL3-W15A-BT)	1	60W; Vin: 90V~264V AC; Vout: 12VDC
RJ-45 to DB-9 COM port transfer cable	32005-004600-100-RS(W15A-BT)	1	300mm, 26AWG, (A) D-SUB 9 male, (B) RJ-45

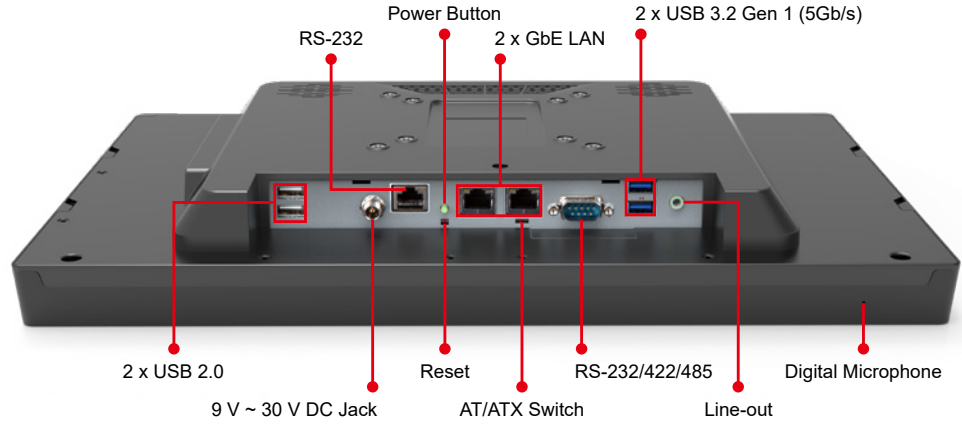
Options

Item	AFL3-W15A-BT
Panel Mounting Kit	AFL3PK-W15A-R10
Wall Mounting Kit	AFLWK-19B
Rack Mounting Kit	AFL3RK-W15A-R11
Arm	ARM-11-RS/ARM-31-RS
Stand	STAND-A21-R10/ STAND-210-R11/STAND-C19-R10
Barcode Scanner	AFL3-2D-R11
RFID Reader (13.56 MHz Mifare Type) (for ATO assembly)	AFL3-MF-RFID-KIT02-R10**
*OS: Win 7 Embedded (64-bit)	AFL3-W07A-BT-WES7P64-R12 (for PCAP touch) AFL3-W07A-BT-WES7E64-R12 (for resistive touch)
*OS: Win 10 IoT Enterprise (64-bit)	AFL3-W07A-BT-W10E64-E-R12

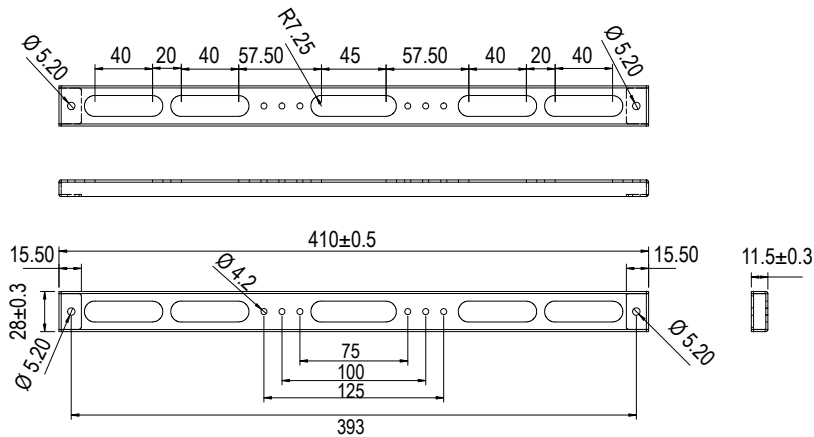
**RFID is supported after AFL3-xxA-BT R11 version

*OS image with CD-ROM without storage

AFL3-W15A-BT
Fully Integrated I/O



AFL3PK-W15A-R10
Panel Mounting Kit Dimensions (Unit: mm)



AFL3-W15A-BT Dimensions (Unit: mm)

