

PUZZLE Series Technology



4-Speed Multi-Gigabit

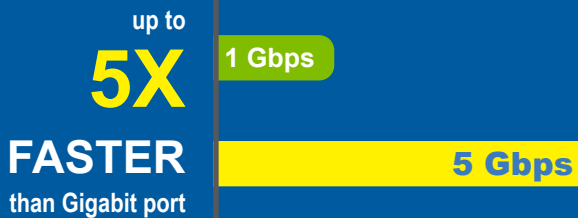
The PUZZLE solution is equipped with a high-performance Multi-Gig Ethernet controller, Marvell AQtion AQC111C 5GbE, to offer a seamless Multi-Gig upgrade path for network applications. The industry proven Marvell AQRate PHY technology delivers 5GbE network connectivity speed through 100 meters of the Cat 5e cabling. Therefore, end-users can easily maximize the benefit of the existing Cat 5e cabling.

Standard Cat 5e at 5 Gbps, 2.5 Gbps, 1 Gbps, 100 Mbps
Require no change to the existing infrastructure or cabling



	1 Gbps	2.5 Gbps	5 Gbps	10 Gbps
CAT 5e	✓	✓	✓	✗
CAT 6	✓	✓	✓	55m
CAT 6A	✓	✓	✓	✓

Up to 5X faster transfer speeds



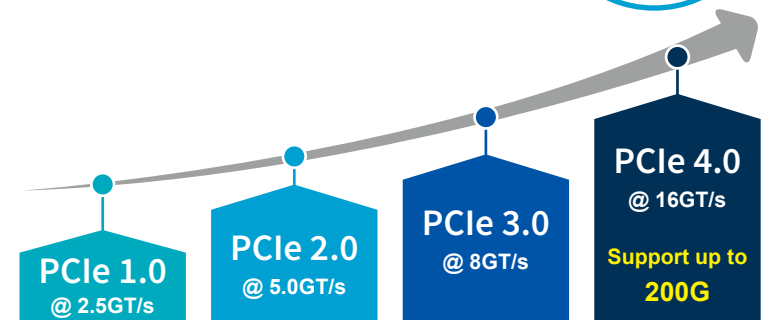
Backward compatible with 5GBASE-T / 2.5GBASE-T / 1000BASE-T / 100BASE-TX



PCI Express 4.0



- Higher performance storage (next generation NVME) with double the speed of PCIe 3.0
- Faster Ethernet capability to eliminate throughput bottlenecks for data intensive applications (100/200G NIC cards)
- FPGA/GPU accelerators to support emerging machine learning and deep learning workloads with uncompromised PCIe 4.0 bandwidth and lowest latency



Intel® Select Solutions for uCPE for CentOS/ADVA



CentOS

- NFV-based edge computing
- Optimized software
- Virtualized and non- virtualized services

NFVI Solution

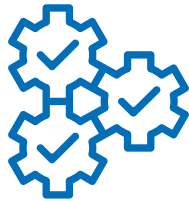
ADVA Ensemble Connector

- Manageability and Operability
- Reducing costs
- Accelerating service provision



» PUZZLE-IN004

To support uCPE platforms, Intel® Select Solutions for uCPE provide a foundation for the development of uCPE products with a solution reference design and verification of performance.



Faster Evaluation



Fast and Easy Deployment

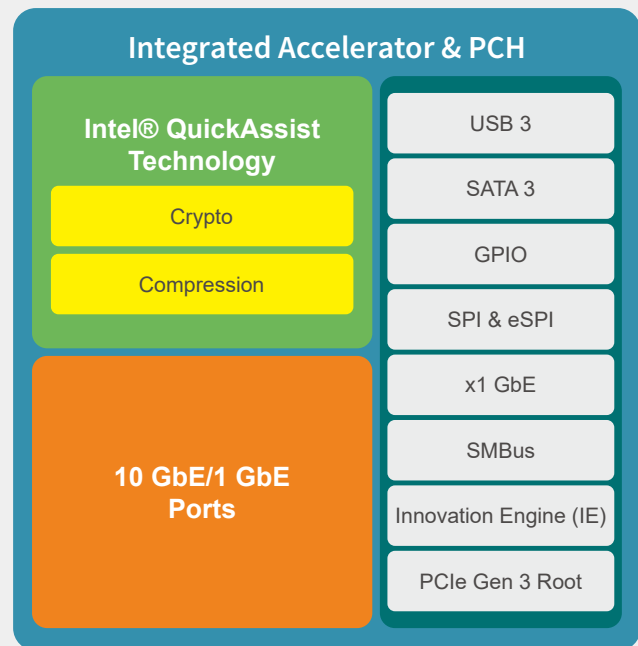


Workload-optimized Performance

Intel® QuickAssist Technology

Intel QuickAssist Technology (Intel® QAT) integrates hardware acceleration of compute intensive workloads, such as Bulk Cryptography, Public Key Exchange & Compression on Intel® Architecture Platforms.

- Intel's 3rd Generation Technology
- Sub Gb/s to 100 Gb/s Rates
- Networking, Storage, Big Data, Cloud, Datacenter, and HPC Applications Receive High Performance Execution of:
 - » Cryptographic Ciphers
 - » Authentication
 - » Public Key Exchange & Key Protection
 - » Compression/Decompression
- Enables Standard Server & Cloud Platforms to Offer Ubiquitous Security and Compression/Decompression
- Provides a Converged Platform Architecture for Cloud, Networking, Storage & Big Data



Hot-swappable SSD & Redundant Power Supply

Hot-swappable SSD

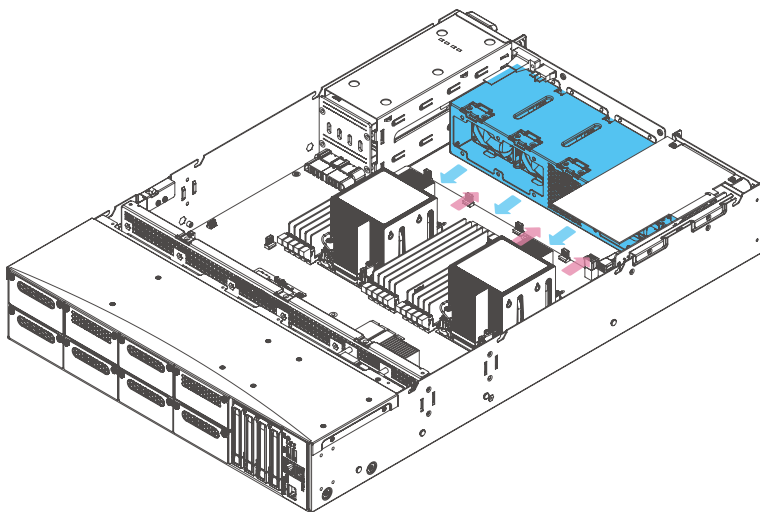
High reliability design is a very important factor for network service. The hot-swap is desirable to change the configuration or repair a working system without interrupting its operation. The hot-swappable SSD and redundant power supply can provide infinite service to avoid shutting down and restarting complex equipment, because it is essential for equipment to be continuously active.



Redundant Power Supply

The PUZZLE series contains two 300W power supply units for redundant power supply. Each power supply unit is capable of powering the entire computer so the computer runs with only one unit. If one fails, the other power supply starts running to maintain continuous operation.

Smart Fan Operation



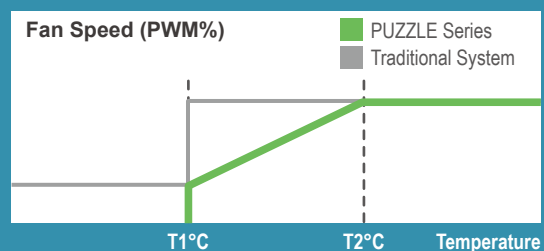
Users can define CPU fan and system fan speed and temperature profile in the BIOS menu. When the system is in idle or running less demanding tasks, smart fan is able to bring down the level of noise produced by rotating fans. The adjustable settings allow the PUZZLE series run with less noise while extending the fan's lifespan, enhancing system stability and durability.

PUZZLE Series

With fan speed and temperature trigger settings set, the fan speed can change seamlessly according to temperature readings.

Traditional System

Traditional system fan operation is detected by system's ON (fan at full speed) and OFF statuses.



uCPE Solution (Universal Customer Premise Equipment)

uCPE consists of virtual network functions (VNFs) running on a standard operating system hosted on an open server with NFV technology. Now with NFV technology, we can create several virtual machines and install these VNFs in a x86 or ARM based uCPE. VNFs could include popular software services such as a virtual firewall, virtual load-balancing, or other software-defined wide area network (SD-WAN) service. Besides, with NFV orchestration, uCPE could serve as an edge computing system or an AI inference computing system.

Lower Power Consumption

uCPE can run several VNFs to build up a network environment instead of running several physical network appliances. Running an uCPE can save energy.

Lower CapEx & OpEx

Reduce the Consumption of CapEx and OpEx including for management time and effort, maintenance and contracts or software licensing etc.

Standard Hardware

Service providers simplify customer site deployments by using a panoply of dedicated appliances with VNFs running on a single universal platform.

Various Solutions

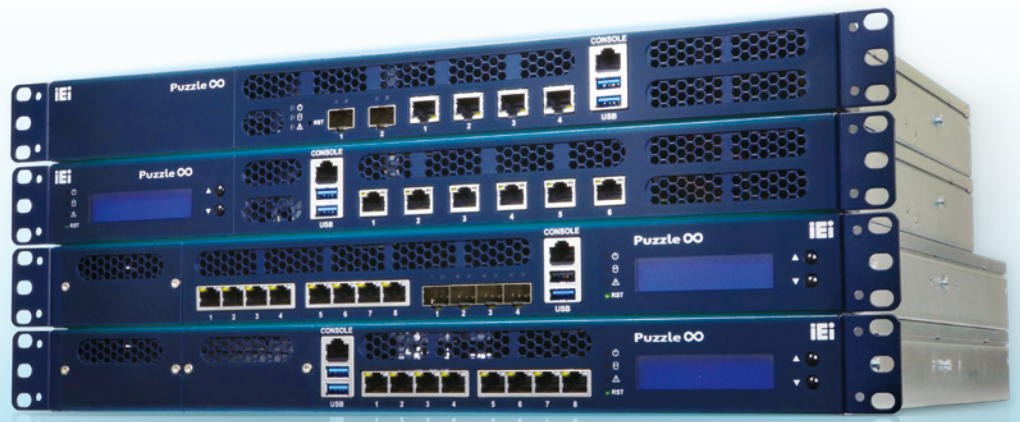
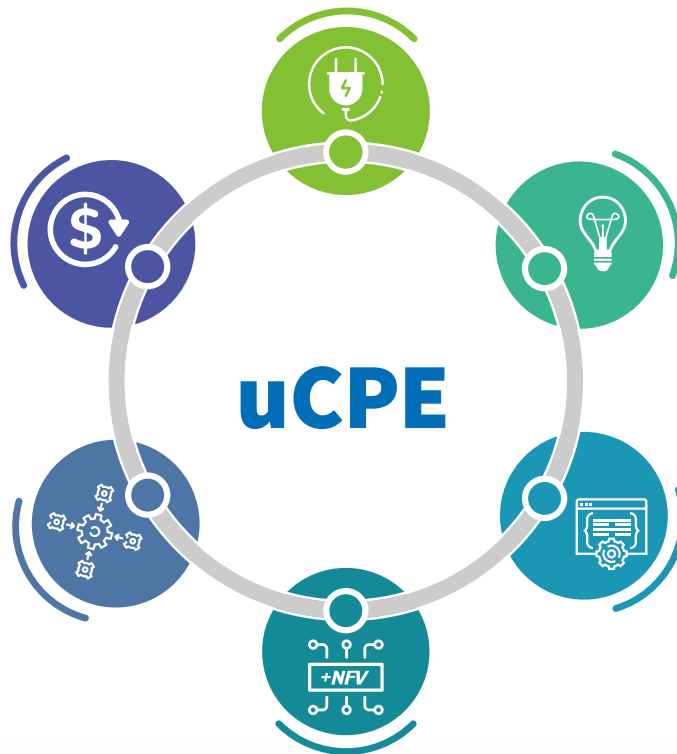
The true value of openness comes from being able to combine a mix of open source and proprietary software components to deliver an innovative service.

Open Source Software

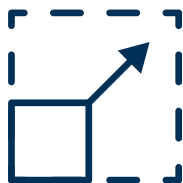
Open source software reduces time to market and the risk of vendor lock-in.

Flexible

The uCPE helps service providers and their customers from suffering hardware vendor lock-in. It creates the flexibility of manageability through NFV.



Unmanned Parking Management System



Flexible Design with Slim Form Factor



Multiple Upgrade Options



Highly Compatible with Major Operating Systems

As a smart integrated parking service provider, the optimal system should solve the challenges, such as space limitation, multiple tasks and hard compatibility of software and hardware.

The PUZZLE can be used as a central parking management server with all the components connected to it for feeding their data back to the central server. With the space limitation of modularized parking system, it is an ideal networking appliance for this application because it has a height of only 1.75 inches, supports 1U rack mount and is equipped with powerful Intel® processor. It has high flexibility, capable of integrating server functions in one device through add-on cards or VPU cards. Moreover, it supports Linux and Windows operating system, so no matter what operating system you decide to use, the software applications are fully compatible with the hardware. That means fewer headaches, quicker development times, and more options.

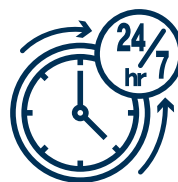
Security and Surveillance



Easily Upgrade with PuIM Module



High Flexibility of PCIe Expansion



Uninterrupted 24-7 Service

Current video surveillance systems are generally too slow, provide inadequate video quality, and have limited expansion capabilities, impeding future expansion and upgrades.

The PUZZLE series is a high-speed, high-definition, and highly scalable hardware-integrated product that provides NVR, VMS, IPWALL and intelligent CCTV. It offers several easy add-ons, expansion options, and PuIM networking module slots that allow for the simple addition of an LCM display, or other bandwidth from 1GbE to 100GbE. By adding a PCIe expansion card, it could feature a graphics card or VPU for powerful AI video analysis. It also supports Intel® vPro® to provide powerful centralized management of networked computers and this reduces the number of times a technician has to physically go to the hardware, resulting in a 27% reduction in TCO. Beside, designed with redundant power supply and automated backup functions, it gives users uninterrupted 24-7 surveillance service. Hence, based on its slim form factor, it can be designed as a pocket surveillance station to increase mobility, and easily deployed in anywhere anytime.

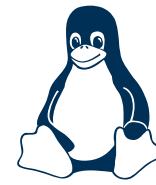
Next Generation Firewall



Easily Upgrade with PuIM Module

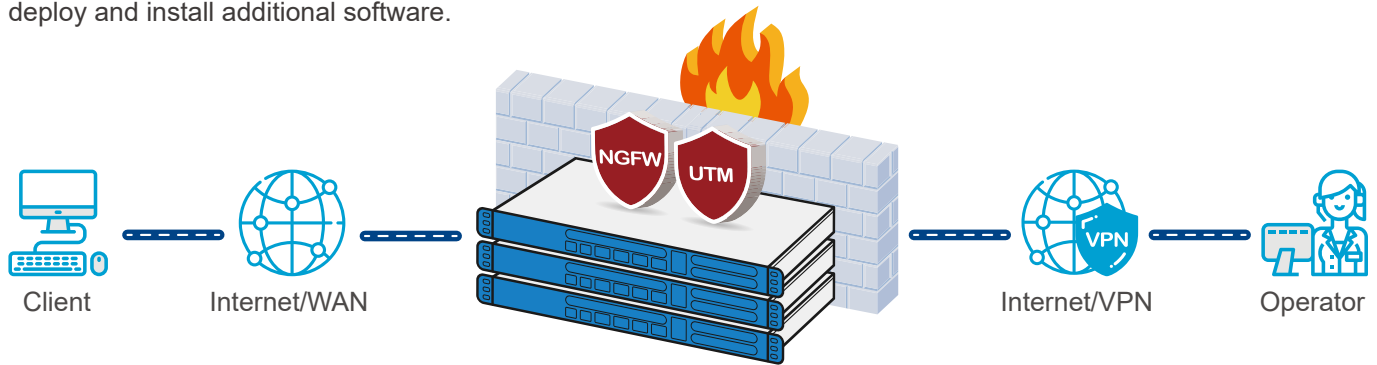


Higher Efficiency of Virtualization



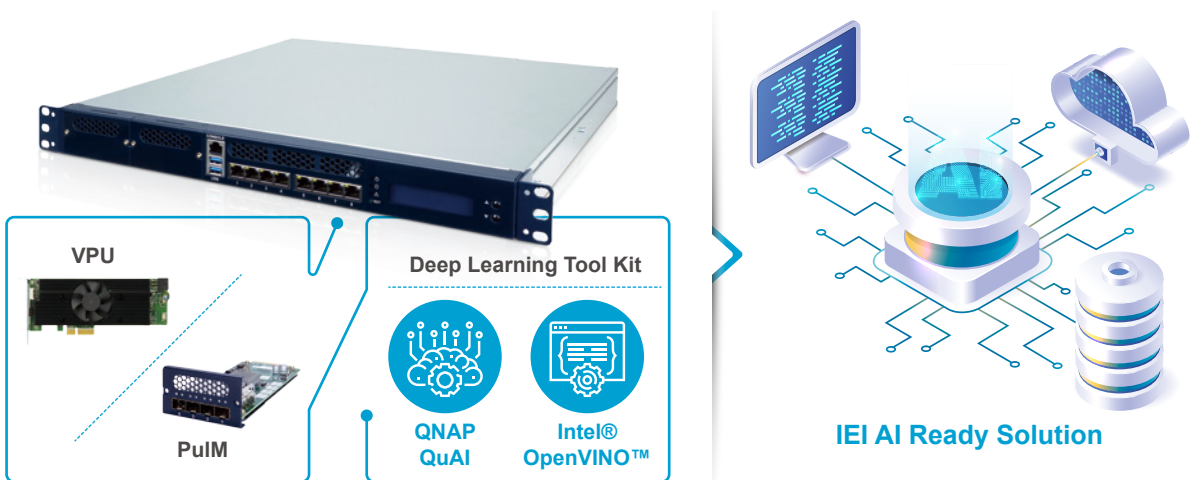
Linux-tested Software Compatibility

The traditional route of a dedicated firewall hardware appliance is too bulky and costly. The PUZZLE series is built with powerful Off-The-Shelf (OTS) networking computer parts, and customizable with PuIM network modules to provide a powerful hardware base for network appliance design. It features eight GbE ports as standard, with expansion options that include 1 Gb/s, 10 Gb/s, and 25 Gb/s network connections. It is designed and tested to support applications for virtual machines, virtualization, and containers such as Docker. Multiple isolated applications can be installed on a single hardware appliance. In addition, all hardware in the PUZZLE is verified to work with Linux (specifically Ubuntu), so users can leverage all the goodness of open-source software to quickly deploy and install additional software.



Network AI Solution - PUZZLE Dev. Kit

Puzzle Dev. Kit is an AI hardware ready system ideal for deep learning inference computing to enable faster, deeper insights for your customers and your business. It supports graphics cards, and Intel® FPGA and VPU acceleration cards to provide additional computational power and end-to-end solutions. Built-in with NVIDIA TensorRT, QNAP QuAI, or Intel® OpenVINO AI development toolkit, it is able to deploy your solutions faster than ever.



PUZZLE Series Selection Guide



		PUZZLE-IN005	PUZZLE-IN001	
			PUZZLE-IN001-XE	PUZZLE-IN001-i3T
Platform	Form Factor	2U	1U	
	CPU	Intel® Ice-Lake LGA-4189 Xeon® Scalable Processor	Intel® Xeon® E-2136 processor, 6C/12T, up to 4.50 GHz	8 th Generation Intel® Core™ i3-8100T processor, 4C/4T, up to 3.10 GHz
	Chipset	Intel® C627A	Intel® C246	
Memory	Memory Technology	DDR4 3200 MHz ECC RDIMM / LRDIMM	2 x DDR4 2400 MHz ECC/Non-ECC UDIMM	
	Memory Capacity	Up to 1280GB (20 x 64GB)	Up to 32GB	
	Memory Socket	20 x 288-pin DIMM	2 x 288-pin DIMM	
Network and Security	Network Acceleration and Security Function	<ul style="list-style-type: none"> • Intel® AES New Instructions • Intel® QuickAssist Technology (Intel® QAT) • Intel® Virtualization Technology (Intel® VT) • Intel® Trusted Execution Technology (Intel® TXT) 	<ul style="list-style-type: none"> • Intel® AES New Instructions • Intel® Software Guard Extensions (Intel® SGX) • Intel® Memory Protection Extensions (Intel® MPX) • Intel® Trusted Execution Technology 	
	TPM	1 x TPM 2.0 Pin header	1 x TPM 2.0 Pin header	
IPMI	IPMI Solution	1 x iRIS-2400 module	N/A	
Networking	Ethernet IC	1 GbE NIC: Intel® i210-AT with NCSI support 1 GbE NIC: Intel® i219	1 GbE NIC: Intel® i211-AT	
	Ethernet Port	2 x 1GbE RJ-45 ports (1 x IPMI LAN)	8 x 1GbE RJ-45 LAN ports	
	Bypass	N/A	N/A	
	Network Module Slot	8 x Networking module slots	2 x PuIM module slots	
Expansion Slot	PCIe Slot	1 x PCIe Gen 4 x8 (FHHL) slot (single width)	1 x PCIe 3.0 x8 (FHHL) slot, 1 x PCIe 3.0 x4 (FHHL) slots	
	PCIe Mini Card Slot	N/A	1 x PCIe Mini card (PCIe 3.0 & SATA 3.0, USB 2.0)	
	M.2	2 x M.2 M key 2280 Support PCIe Gen 3 x4 NVMe	1 x 3042/2260 M.2 B key (SATA 3.0 / USB 3.2 Gen 1) Support SATA SSD and 4G LTE module	
Storage	Storage	4 x U.2 SSD drive bay compatible to SATA	2 x 2.5" SATA HDD/SSD bay support SATA 3.0 (6 Gbps)	
	eMMC	N/A	N/A	
	SD Card	N/A	N/A	
External I/O	VGA	1 x VGA port	N/A	
	USB	2 x USB 3.2 Gen 1 (5Gb/s) Type-A ports	2 x USB 3.2 Gen 1	
	Console	1 x RJ-45 1 x USB Type-C	1 x RJ-45	
Internal I/O	HDMI	N/A	1 x HDMI connector (optional)	
	USB	1 x USB 2.0 pin header	4 x USB 2.0 (pin header)	
Power and Mechanical	Power Switch	1 x Power Switch	1 x Power Switch	
	Reset Button	1 x Reset Button	1 x Reset Button	
	Power Input	100 V ~ 240 V	100 V ~ 240 V	
	Type/Watt	Redundant Power 1200W, 90V~264V AC	Redundant Power 300W, 90V~264V AC	
	Processor Cooling	2 x Active CPU Cooler	1 x Passive CPU Heatsink	
	System Cooling	5 x Cooling Fans with Smart Fan	4 x Cooling Fans with Smart Fan	
	Antenna Hole	N/A	1 x Antenna hole	
Physical and Environmental	Storage Temperature	-10°C ~ 50°C	-20°C ~ 75°C (-4°F ~ 167°F)	
	Operating Temperature	-20°C ~ 75°C (-4°F ~ 167°F)	0°C ~ 40°C (32°F ~ 104°F)	
	Operating Humidity	Relative humidity: 5% ~ 90% non-condensing	Relative humidity: 5% ~ 90% non-condensing	
	Dimensions (W x L x H) (mm)	438 x 650 x 88	430 x 426 x 44.2	
	Weight	23 kg	7 kg	
OS and Certifications	Certification	CE / FCC / RoHS	CE / FCC / RoHS	
	Operating System	Linux 18.04 (CentOS, Red Hat, Ubuntu, etc.) Windows Server 2019	Linux Ubuntu 18.04.04 CentOS 7 / Red Hat / Fedora EPEL Microsoft Windows 10	
Indicators	LCM	N/A	LCM, 2 buttons	
	LED	1 x Power LED, 1 x Storage LED, 1 x Alert LED	1 x Power LED, 1 x Storage LED, 1 x Alert LED	

PUZZLE Series Selection Guide



		PUZZLE-IN001A		PUZZLE-IN002	
		PUZZLE-IN001A-XE	PUZZLE-IN001A-i3T	PUZZLE-IN002-i3T	PUZZLE-IN002-PGT
Platform	Form Factor	1U			
	CPU	Intel® Xeon® E-2136 processor, 6C/12T, up to 4.50 GHz	8 th Generation Intel® Core™ i3-8100T processor, 4C/4T, up to 3.10 GHz	8 th Generation Intel® Core™ i3-8100T processor, 4C/4T, up to 3.10 GHz	Intel® Pentium® Gold G5400T processor, 2C/4T, up to 3.10 GHz
	Chipset	Intel® C246		Intel® H310	
Memory	Memory Technology	4 x DDR4 2400 MHz ECC/Non-ECC UDIMM		DDR4 2400 MHz Non-ECC UDIMM	
	Memory Capacity	Up to 64GB		Up to 32GB	
	Memory Socket	4 x 288-pin DIMM		2 x 288-pin DIMM	
Network and Security	Network Acceleration and Security Function	<ul style="list-style-type: none"> • Intel® AES New Instructions • Intel® Software Guard Extensions (Intel® SGX) • Intel® Memory Protection Extensions (Intel® MPX) • Intel® Trusted Execution Technology 		<ul style="list-style-type: none"> • Intel® AES New Instructions • Intel® Software Guard Extensions (Intel® SGX) • Intel® Memory Protection Extensions (Intel® MPX) • Intel® Trusted Execution Technology 	
	TPM	1 x TPM 2.0 Pin header		1 x TPM 2.0 pin header	
IPMI	IPMI Solution	N/A		N/A	
Networking	Ethernet IC	5GbE NIC: AQC 111C		1 GbE NIC: Intel® i211-AT	
	Ethernet Port	8 x 5GbE RJ-45 LAN ports		6 x 1GbE RJ-45 LAN ports	
	Bypass	N/A		N/A	
	Network Module Slot	2 x PuLM module slots		N/A	
Expansion Slot	PCIe Slot	1 x PCIe 3.0 x8 (FHHL) slot 1 x PCIe 3.0 x4 (FHHL) slots		1 x PCIe 3.0 x16 (FHHL) slot (double width)	
	PCIe Mini Card Slot	1 x PCIe Mini card (PCIe 3.0 & SATA 3.0, USB 2.0)		1 x PCIe Mini card (SATA 3.0, USB 2.0) with SIM slot	
	M.2	1 x 3042/2260 M.2 B key (SATA 3.0 / USB 3.2 Gen 1) Support SATA SSD and 4G LTE module		1 x M.2 A key (PCIe 2.0 & USB 2.0)	
Storage	Storage	2 x 2.5" SATA HDD/SSD bay support SATA 3.0 (6 Gbps)		2 x 2.5" SATA HDD/SSD bay support SATA 3.0 (6 Gbps)	
	eMMC	N/A		N/A	
	SD Card	N/A		N/A	
External I/O	VGA	N/A		N/A	
	USB	2 x USB 3.2 Gen 1		2 x USB 3.2 Gen 1	
	Console	1 x RJ-45		1 x RJ-45	
Internal I/O	HDMI	1 x HDMI connector (optional)		1 x HDMI connector (optional)	
	USB	4 x USB 2.0 (pin header)		2 x USB 2.0 (pin header)	
Power and Mechanical	Power Switch	1 x Power Switch		1 x Power Switch	
	Reset Button	1 x Reset Button		1 x Reset Button	
	Power Input	100 V ~ 240 V		100 V ~ 240 V	
	Type/Watt	Redundant Power 300W, 90V ~ 264V AC		ATX Power 250W, 90V ~ 264V AC	
	Processor Cooling	1 x Passive CPU Heatsink		1 x Passive CPU heatsink	
	System Cooling	4 x Cooling Fans with Smart Fan		4 x Cooling Fans with Smart Fan	
	Antenna Hole	1 x Antenna hole		1 x Antenna hole	
Physical and Environmental	Storage Temperature	-20°C ~ 75°C (-4°F ~ 167°F)		-20°C ~ 75°C (-4°F ~ 167°F)	
	Operating Temperature	0°C ~ 40°C (32°F ~ 104°F)		0°C ~ 40°C (32°F ~ 104°F)	
	Operating Humidity	Relative humidity: 5% ~ 90% non-condensing		Relative humidity: 5% ~ 90% non-condensing	
	Dimensions (W x L x H) (mm)	430 x 426 x 44.2		430 x 320 x 44.2	
	Weight	7 kg		5 kg	
OS and Certifications	Certification	CE / FCC / RoHS		CE / FCC / RoHS	
	Operating System	Linux Ubuntu 18.04.04 CentOS 7 / Red Hat / Fedora EPEL Microsoft Windows 10		Linux Ubuntu 18.04.04 CentOS 7 / Red Hat / Fedora EPEL Microsoft Windows 10	
Indicators	LCM	LCM, 2 buttons		LCM, 2 buttons	
	LED	1 x Power LED, 1 x Storage LED, 1 x Alert LED		1 x Power LED, 1 x Storage LED, 1 x Alert LED	

PUZZLE Series Selection Guide



		PUZZLE-IN003A		PUZZLE-IN003B	
		PUZZLE-IN003A-C1	PUZZLE-IN003A-C3	PUZZLE-IN003B-C0	PUZZLE-IN003B-C1
Platform	Form Factor	Desktop			
	CPU	Intel® Atom® processor C3558 8M cache, up to 2.20 GHz	Intel® Atom® Processor C3336 4M Cache, 1.50 GHz	Intel® Atom® processor C3758 16M cache, up to 2.20 GHz	Intel® Atom® processor C3558 8M cache, up to 2.20 GHz
	Chipset	Integrated in CPU		Integrated in CPU	
Memory	Memory Technology	DDR4 2133 MHz ECC (By CPU) or non-ECC UDIMM, Support DDR4 RDIMM		DDR4 2133 MHz ECC (By CPU) or non-ECC UDIMM, Support DDR4 RDIMM	
	Memory Capacity	UDIMM up to 64GB RDIMM up to 128GB		UDIMM up to 64GB RDIMM up to 128GB	
	Memory Socket	2 x 288-pin DIMM	1 x 288-pin DIMM	4 x 288-pin DIMM	
Network and Security	Network Acceleration and Security Function	<ul style="list-style-type: none"> Intel® AES New Instructions Intel® Software Guard Extensions (Intel® SGX) Intel® Virtualization Technology for Directed I/O (VT-d) Intel® QuickAssist Technology (Intel® QAT) 	<ul style="list-style-type: none"> Intel® Virtualization Technology for Directed I/O (VT-d) Intel® Virtualization Technology (VT-x) Intel® QuickAssist Technology (Intel® QAT) 	<ul style="list-style-type: none"> Intel® AES New Instructions Intel® Software Guard Extensions (Intel® SGX) Intel® Memory Protection Extensions (Intel® MPX) Intel® Virtualization Technology for Directed I/O (VT-d) Intel® QuickAssist Technology (Intel® QAT) 	<ul style="list-style-type: none"> Intel® AES New Instructions Intel® Software Guard Extensions (Intel® SGX) Intel® Virtualization Technology for Directed I/O (VT-d) Intel® QuickAssist Technology (Intel® QAT)
	TPM	1 x TPM 2.0 pin header		1 x TPM 2.0 pin header	
	IPMI	IPMI Solution	N/A		N/A
Networking	Ethernet IC	1 GbE NIC: Intel® i211-AT 1 GbE PHY: Marvell 88E1543		1 GbE NIC: Intel® i211-AT 1 GbE PHY: Marvell 88E1512 10 GbE: Intel® X553 integrated in CPU	
	Ethernet Port	4 x GbE from Intel® i211-AT 4 x GbE from Marvell 88E1543	4 x GbE from Intel® i211-AT 2 x GbE from Marvell 88E1543	4 x 1GbE from Intel® i211-AT 2 x 1GbE from Marvell 88E1512 2 x 10 GbE SFP+	
	Bypass	Yes, 2 bypass segments	Yes, 1 bypass segments	N/A	
	Network Module Slot	N/A		N/A	
	PCIe Slot	N/A		N/A	
Expansion Slot	PCIe Mini Card Slot	1 x PCIe Mini card (PCIe 3.0, USB 2.0) with SIM slot		1 x PCIe Mini card (PCIe 3.0, USB 2.0) with SIM slot	
	M.2	1 x M.2 A key (PCIe 3.0 & USB 2.0)		1 x M.2 A key (PCIe 3.0 & USB 2.0)	
Storage	Storage	1 x SATA 3.0 + 1 x 5V power connector (for SATA DOM) 1 x M.2 M key 2260/2280 Support PCIe 3.0 x4 nVME		1 x SATA 3.0 + 1 x 5V power connector (for SATA DOM) 1 x M.2 M key 2260/2280 Support PCIe 3.0 x4 nVME	
	eMMC	1 x eMMC 32GB		1 x eMMC 32GB	
	SD Card	N/A		N/A	
External I/O	VGA	N/A		N/A	
	USB	1 x USB 2.0 1 x USB 3.2 Gen 1		1 x USB 2.0 1 x USB 3.2 Gen 1	
	Console	1 x RJ-45		1 x RJ-45	
Internal I/O	HDMI	N/A		N/A	
	USB	N/A		N/A	
Power and Mechanical	Power Switch	1 x Power Switch		1 x Power Switch	
	Reset Button	1 x Reset Button		1 x Reset Button	
	Power Input	1 x DC jack		1 x DC jack	
	Type/Watt	12 V DC-in, 60W		12 V DC-in, 60W	
	Processor Cooling	Passive CPU heatsink		Passive CPU heatsink	
	System Cooling	Fanless		Two system fans Fanless	
	Antenna Hole	2 x Antenna hole		2 x Antenna hole	
Physical and Environmental	Storage Temperature	-20°C ~ 75°C (-4°F ~ 167°F)		-20°C ~ 75°C (-4°F ~ 167°F)	
	Operating Temperature	0°C ~ 40°C (32°F ~ 104°F)		0°C ~ 40°C (32°F ~ 104°F)	
	Operating Humidity	Relative humidity: 5%~90% non-condensing		Relative humidity: 5%~90% non-condensing	
	Dimensions (W x L x H) (mm)	225 x 206 x 44.2		225 x 206 x 44.2	
	Weight	2 kg		2 kg	
OS and Certifications	Certification	CE / FCC / RoHS		CE / FCC / RoHS	
	Operating System	Linux Ubuntu 18.04.04 CentOS 7 / Red Hat / Fedora EPEL Microsoft Windows 10		Linux Ubuntu 18.04.04 CentOS 7 / Red Hat / Fedora EPEL Microsoft Windows 10	
Indicators	LCM	N/A		N/A	
	LED	1 x Power LED, 1 x Storage LED, 1 x Alert LED		1 x Power LED, 1 x Storage LED, 1 x Alert LED	

PUZZLE Series Selection Guide



		PUZZLE-IN004				
		PUZZLE-IN004-XD1	PUZZLE-IN004-XD2	PUZZLE-IN004-XD3	PUZZLE-IN004-XD4	PUZZLE-IN004-XD5
Platform	Form Factor	1U				
	CPU	Intel® Xeon® D-2145NT processor 8-core, 11M cache 1.90 GHz	Intel® Xeon® D-2146NT processor 8-core, 11M cache, 2.30 GHz	Intel® Xeon® D-2166NT processor 12-core, 16.5M Cache, 2.00 GHz	Intel® Xeon® D-2177NT Processor 14-core, 19.25M Cache, 1.90 GHz	Intel® Xeon® D-2187NT processor 16-core, 22M cache, 2.00 GHz
	Chipset	Integrated in CPU				
Memory	Memory Technology	DDR4 2133/2400 MHz ECC DDR4 RDIMM/LRDIMM				
	Memory Capacity	RDIMM up to 256 GB LRDIMM up to 512 GB				
	Memory Socket	8 x 288-pin DIMM				
Network and Security	Network Acceleration and Security Function	<ul style="list-style-type: none"> • Intel® AES New Instructions • Intel® QuickAssist Technology (Intel® QAT) • Intel® Virtualization Technology (Intel® VT) • Intel® Trusted Execution Technology (Intel® TXT) 				
	TPM	1 x TPM 2.0 pin header				
IPMI	IPMI Solution	N/A				
Networking	Ethernet IC	1 GbE NIC: Intel® i211-AT 10 GbE: Intel® X722 integrated in CPU				
	Ethernet Port	8 x 1GbE RJ-45 LAN ports 4 x 10 GbE SFP+				
	Bypass	N/A				
	Network Module Slot	1 x PuIM module slot				
Expansion Slot	PCIe Slot	1 x PCIe 3.0 x8 (FHHL) slot (double width)				
	PCIe Mini Card Slot	1 x PCIe Mini (PCIe +USB 2.0) with SIM card				
	M.2	1 x M.2 M key 2260/2280 Support PCIe 3.0 x4 nVME				
Storage	Storage	2 x 2.5" SATA HDD/SSD bay support SATA 3.0 (6 Gbps)				
	eMMC	N/A				
	SD Card	N/A				
External I/O	VGA	N/A				
	USB	1 x USB 2.0 1 x USB 3.2 Gen 1				
	Console	1 x RJ-45				
Internal I/O	HDMI	N/A				
	USB	N/A				
Power and Mechanical	Power Switch	1 x Power Switch				
	Reset Button	1 x Reset Button				
	Power Input	100 V ~ 240 V				
	Type/Watt	Redundant Power 300W, 90V ~ 264V AC				
	Processor Cooling	1 x Passive CPU Heatsink				
	System Cooling	4 x Cooling Fans with Smart fan				
	Antenna Hole	1 x Antenna hole				
Physical and Environmental	Storage Temperature	-20°C ~ 75°C (-4°F ~ 167°F)				
	Operating Temperature	0°C ~ 40°C (32°F ~ 104°F)				
	Operating Humidity	Relative humidity: 5% ~ 90% non-condensing				
	Dimensions (W x L x H) (mm)	430 x 426 x 44.2				
	Weight	7 kg				
OS and Certifications	Certification	CE / FCC / RoHS				
	Operating System	Linux Ubuntu 18.04.04 CentOS 7 / Red Hat / Fedora EPEL Microsoft Windows 10				
Indicators	LCM	LCM, 2 buttons				
	LED	1 x Power LED, 1 x Storage LED, 1 x Alert LED				

PUZZLE Series Selection Guide



		PUZZLE-M801	PUZZLE-M901	PUZZLE-M902
Platform	Form Factor	1U	N/A	N/A
	CPU	Marvell® ARMADA® 88F8040 High-Performance CPU System on Chip, 4C, 2.0GHz	Marvell® CN9130 quad-core ARMv8 Cortex-A72 @ up to 2200 MHz	
	Chipset	Integrated in CPU	Integrated in CPU	Integrated in CPU
Memory	Memory Technology	DDR4 2400 MHz ECC/Non-ECC/RDIMM	N/A	N/A
	Memory Capacity	Up to 16 GB	4GB	4GB
	Memory Socket	1 x 288-pin DIMM	N/A	N/A
Network and Security	Network Acceleration and Security Function	<ul style="list-style-type: none"> Configurable packet processor HW offload for networking Acceleration engines for storage, networking and security Public Key Processor (RSA/DH/ECC) Secure Storage Secure boot 	N/A	N/A
	TPM	N/A	N/A	N/A
IPMI	IPMI Solution	N/A	N/A	N/A
Networking	Ethernet IC	10 GbE PHY: SoC Marvell 88F8040 1 GbE PHY: Marvell 88E1512P	Aquantia AQR112R Aquantia AQR112C Aquantia AQR112	Aquantia AQR112R Aquantia AQR113
	Ethernet Port	4 x 1GbE RJ-45 LAN ports 2 x 10 GbE SFP+	1 x 2.5GbE LAN integrated in CPU via PHY Aquantia AQR112R 1 x 2.5GbE LAN integrated in CPU via PHY Aquantia AQR112C 1 x 2.5GbE LAN integrated in CPU via PHY Aquantia AQR112 1 x 2.5GbE LAN via Marvell 88F8215 (PHY: Aquantia AQR112R) 1 x 2.5GbE LAN via Marvell 88F8215 (PHY: Aquantia AQR112C) 1 x 2.5GbE LAN via Marvell 88F8215 (PHY: Aquantia AQR112)	2 x 2.5GbE LAN integrated in CPU via PHY Aquantia AQR112R 4 x 2.5GbE LAN via Marvell 88F8215 (PHY: Aquantia AQR112R) 1 x 10GbE LAN integrated in CPU via PHY Aquantia AQR113 2 x 10GbE LAN via Marvell 88F8215 (PHY: Aquantia AQR113)
	Bypass	N/A	N/A	N/A
	Network Module Slot	N/A	N/A	N/A
Expansion Slot	PCIe Slot	1 x PCIe x16 (FHHL) slot PCIe 3.0 x2 signal	N/A	N/A
	PCIe Mini Card Slot	N/A	N/A	N/A
Storage	M.2	1 x M.2 B Key (3042/2260) (SATA 3.0 and USB 3.2 Gen 1) Support SATA SSD or 4G LTE module (USB signal)	1 x 2242 M key M.2 PCIe Gen. 3 x2	1 x 2242/2280 M Key M.2 PCIe Gen. 3 x1
	Storage	1 x 2.5" SATA HDD/SSD bay support SATA 3.0 (6 Gbps)	N/A	N/A
	eMMC	32GB	1 x 4GB eMMC	1 x 4GB eMMC
External I/O	SD Card	N/A	N/A	N/A
	VGA	N/A	N/A	N/A
	USB	2 x USB 3.2 Gen 1	N/A	N/A
Internal I/O	Console	1 x RJ-45	N/A	N/A
	HDMI	N/A	N/A	N/A
Power and Mechanical	USB	1 x USB 2.0	USB 3.2 Gen 1 (5Gb/s)	USB 3.2 Gen 1 (5Gb/s)
	Power Switch	1 x Power Switch	N/A	N/A
	Reset Button	1 x Reset Button	1 x Reset Factory Button	1 x Reset Factory Button
	Power Input	100 V ~ 240 V	1 x DC jack	1 x DC jack
	Type/Watt	ATX Power 250W, 90V ~ 264V AC	12 V DC-in, 36W	12 V DC-in, 36W
	Processor Cooling	1 x Active CPU Heatsink with fan	Passive CPU Heatsink	Passive CPU Heatsink
	System Cooling	2 x Cooling Fans with Smart Fan	Active Fan	1 system fan
Physical and Environmental	Antenna Hole	1 x Antenna hole	N/A	N/A
	Storage Temperature	-20°C ~ 75°C (-4°F ~ 167°F)		
	Operating Temperature	0°C ~ 40°C (32°F ~ 104°F)		
	Operating Humidity	Relative humidity: 5% ~ 90% non-condensing		
	Dimensions (W x L x H) (mm)	430 x 320 x 44.2	166.4 x 145.7 x 34	226 x 140 x 50.5
OS and Certifications	Weight	5 kg		
	Certification	CE / FCC / RoHS	CE/FCC/BSMI (BSMI safety)/VCCI, LVD	
Indicators	Operating System	Linux Ubuntu 16.04.04	OpenWrt	
	LCM	N/A	N/A	N/A
Indicators	LED	1 x Power LED, 1 x Storage LED, 1 x Alert LED	Status/Power, WAN/LAN interface indicator	

PUZZLE Series Selection Guide



		PUZZLE-9030	PUZZLE-3034	PUZZLE-3032
Platform	Form Factor	1U	Desktop	Desktop
	CPU	2 x AMD® EPYC™ Milan 7543	Intel® Atom® C3758R 8C/8T (16M Cache, 2.4 GHz)	Intel® Atom® C3558R 4C/4T (8M Cache, 2.4 GHz)
	Chipset	Integrated in CPU	Intel® Denverton-R	Intel® Denverton-R
Memory	Memory Technology	ECC & Register DDR4 3200 MHz memory, up to 256GB per DIMM	2 x DDR4 2400 MHz Non-ECC UDIMM Default: 2 x UDIMM 8GB	2 x DDR4 2400 MHz Non-ECC UDIMM Default: 1 x UDIMM 8GB
	Memory Capacity	RDIMM/LRDIMM: up to 4TB	Up to 64GB (based on DIMM capacity)	Up to 64GB (based on DIMM capacity)
	Memory Socket	16 x 288-pin DIMM (8 DIMM/CPU) (eight channel)	2 x 288-pin DIMM	2 x 288-pin DIMM
IPMI	IPMI Solution	1 x AST2620 (RTL8211E)	N/A	N/A
Network and Security	Network Acceleration and Security Function	N/A	<ul style="list-style-type: none"> Intel® AES New Instructions Intel® Software Guard Extensions (Intel® SGX) Intel® Memory Protection Extensions (Intel® MPX) Intel® Trusted Execution Technology 	<ul style="list-style-type: none"> Intel® AES New Instructions Intel® Software Guard Extensions (Intel® SGX) Intel® Memory Protection Extensions (Intel® MPX) Intel® Trusted Execution Technology
Networking	Ethernet IC	Intel i211	Intel 2.5GbE KT1225V SLNMH	Intel 2.5GbE KT1225V SLNMH
	Ethernet Port	1 x GbE RJ-45	8 x 2.5 GbE RJ-45 LAN ports 4 x 10 GbE, SFP+	8 x 2.5GbE RJ-45 LAN ports 2 x 10 GbE, SFP+
Expansion Slot	PCIe Slot	2 x PCIe x16 FHHL		
	M.2	2 x M.2 M key 2280 (PCIe 4.0 x4)	<ul style="list-style-type: none"> 1 x 2242 B-Key M2 slot for M2 SATA 1 x 3052 B-Key M2 slot + SIM Card Socket for 5G/LTE Card 2 x 2280 M-Key M2 slot for NVME 	<ul style="list-style-type: none"> 1 x 2242 B-Key M2 slot for M2 SATA 1 x 3052 B-Key M2 slot + SIM Card Socket for 5G/LTE Card 2 x 2280 M-Key M2 slot for NVME
Storage	eMMC	N/A	64GB eMMC	64GB eMMC
	U.2/SATA	2 x U.2 (PCIe 4.0 x4) or 2 x SATA 6Gb/s - (colay design)	N/A	N/A
External I/O	USB	2 x USB 3.1	2 x USB 3.0 (support UPS equipment only)	2 x USB 3.0 (support UPS equipment only)
	Console	1 x RJ-45	1 x RJ-45	1 x RJ-45
Power and Mechanical	Power Switch	N/A	1 x Power Button	1 x Power Button
	Reset Button	1 x Reset Button	1 x Reset Button	1 x Reset Button
	Power Input	AC Power Inlet on PSU AC 100V ~ 240V @47~63Hz	101 V ~ 240 V	100 V ~ 240 V
	Type/Watt	YM-2132EAR 90 ~ 132VAC @900W 100 ~ 132VAC @1000W 110 ~ 132VAC @1100W 180 ~ 264VAC @1300W	Open Frame DPS-60AP-5 D; Vin: 90 ~ 264VAC;71W	Open Frame DPS-60AP-5 D; Vin:90 ~ 264VAC;70W
	Processor Cooling	2 x CPU Heatsink	2 x Passive CPU Heatsink	1 x Passive CPU Heatsink
	System Cooling	6 x Individual Hot-swappable Cooling Fans	2 x Cooling Fans	2 x Cooling Fans
	Antenna Port	N/A	4 x Antenna port	3 x Antenna hole (reserved)
Physical and Environmental	Storage Temperature	-10°C ~ 50°C	-10°C ~ 50°C	-10°C ~ 50°C
	Operating Temperature	0°C ~ 40°C (32°F ~ 104°F)	0°C ~ 40°C (32°F ~ 104°F)	0°C ~ 40°C (32°F ~ 104°F)
	Operating Humidity	5% ~ 90% non-condensing	5% ~ 90% non-condensing	5% ~ 90% non-condensing
	Dimensions (W x H x D) (mm)	670 x 438 x 44.2	46.65 x 285 x 236.7	46.65 x 285 x 236.6
Supported OS and Certifications	Certification	RoHS, CE/FCC, UL	CE, FCC, VCCI, RCM	CE, FCC, VCCI, RCM
	Supported OS	Linux (CentOS, Red Hat, Ubuntu, etc.)	Linux Ubuntu 18.04.05	Linux Ubuntu 18.04.05
Indicators	LCM	N/A	16 x 3 character with control keys	16 x 2 character with control keys
	LED	1 x Power / 1 x Status / 1 x Alert	1 x Power LED, 1 x Storage LED, 1 x Alert LED	1 x Power LED, 1 x Storage LED, 1 x Alert LED

PUZZLE-IN005 2U Rackmount Network Appliance support dual Intel® Ice Lake CPU



Features

- Dual Intel® Ice Lake Xeon® scalable processors (up to 185W)
- 20 x DDR4 R-DIMM / LR-DIMM memory
- 8 network modules with PCIe Gen 4 x8 signal
- Intel® QuickAssist Technology
- 4 x 2.5" U.2 (PCIe x4) SSD compatible with SATA
- 1+1 1200W CRPS redundant power supply
- 4+1 hot-swappable system fans

Specifications

		PUZZLE-IN005
Platform	Form Factor	2U
	CPU	Intel® Ice-Lake LGA-4189 Xeon® Scalable Processor
	Chipset	C627A
Memory	Memory Technology	DDR4 3200 MHz ECC RDIMM / LRDIMM
	Memory Capacity	Memory up to:1280GB (20 x 64GB)
	Memory Socket	20 x 288-pin DIMM
Network and Security	Network Acceleration and Security Function	<ul style="list-style-type: none"> • Intel® AES New Instructions • Intel® QuickAssist Technology (Intel® QAT) • Intel® Virtualization Technology (Intel® VT) • Intel® Trusted Execution Technology (Intel® TXT)
	TPM	1 x TPM 2.0 pin header
IPMI	IPMI Solution	1 x iRIS-2400 module
Networking	Ethernet IC	1 GbE NIC: Intel® i210-AT with NCSI support 1 GbE NIC: Intel® i219
	Ethernet Port	2 x 1GbE RJ-45 ports (1 x IPMI LAN)
	Network Module Slot	8 x Networking Module Slot
Expansion Slot	PCIe Slot	1 x PCIe Gen 4 x8 (FHHL) slot (single width)
	PCIe Mini Card Slot	N/A
	M.2	2 x M.2 2280 M key supporting PCIe Gen 3 x4 NVMe
Storage	Storage	4 x U.2 SSD drive bay compatible with SATA
	eMMC	N/A
	SD Card	N/A
External I/O	VGA	1 x VGA port
	USB	2 x USB 3.2 Gen 1 (5Gb/s) Type-A ports
	Console	1 x RJ-45 1 x USB Type-C
Internal I/O	HDMI	N/A
	USB	1 x USB 2.0 pin header
Power and Mechanical	Power Switch	1 x Power Switch
	Reset Button	1 x Reset Button
	Power Input	100 V ~ 240 V
	Type/Watt	Redundant power 1200W, 90V ~ 264V AC
	Processor Cooling	2 x Active CPU cooler
	System Cooling	5 x Cooling fans with smart fan
	Antenna Hole	N/A
Physical and Environmental	Storage Temperature	-20°C ~ 75°C (-4°F ~ 167°F)
	Operating Temperature	0°C ~ 40°C (32°F ~ 104°F)
	Operating Humidity	Relative humidity: 5% ~ 90% non-condensing
	Dimensions (W x L x H) (mm)	438 x 650 x 88
	Weight	23 kg
OS and Certifications	Certification	CE / FCC / RoHS
	Operating System	Linux 18.04 (CentOS, Red Hat, Ubuntu, etc.) Windows server 2019
Indicators	LCM	N/A
	LED	1 x Power LED, 1 x Storage LED, 1 x Alert LED

Ordering Information

Part No.	Description
PUZZLE-IN005-R-R10*	2U Rackmount Network Appliance supports dual Intel® Ice-Lake-SP CPU, twenty DDR4 R-DIMM/LR-DIMM slots, two 1GbE (one supports BMC control), eight PuIM, one PCIe expansion, redundant power, without cooler, RoHS

* A CPU heatsink must be purchased separately

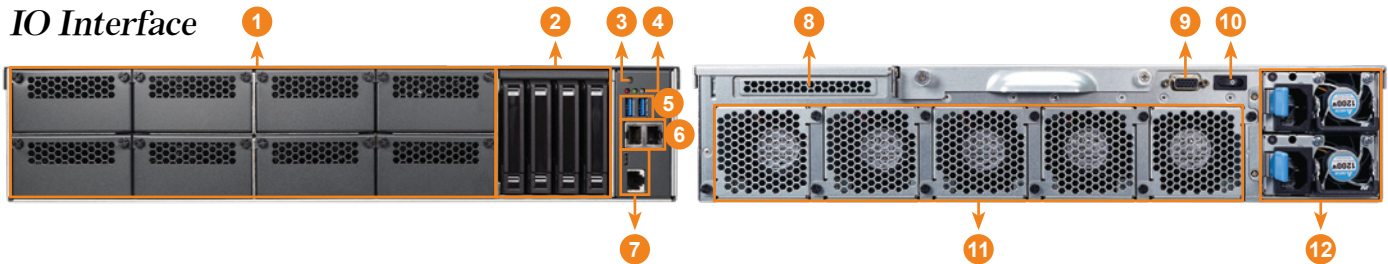
Packing List

1 x USB to RJ-45 console cable	Rack mounting ears
2 x Power cord	Screws for rack mounting ears
Flat head screws (for 2.5" HDD)	

Options

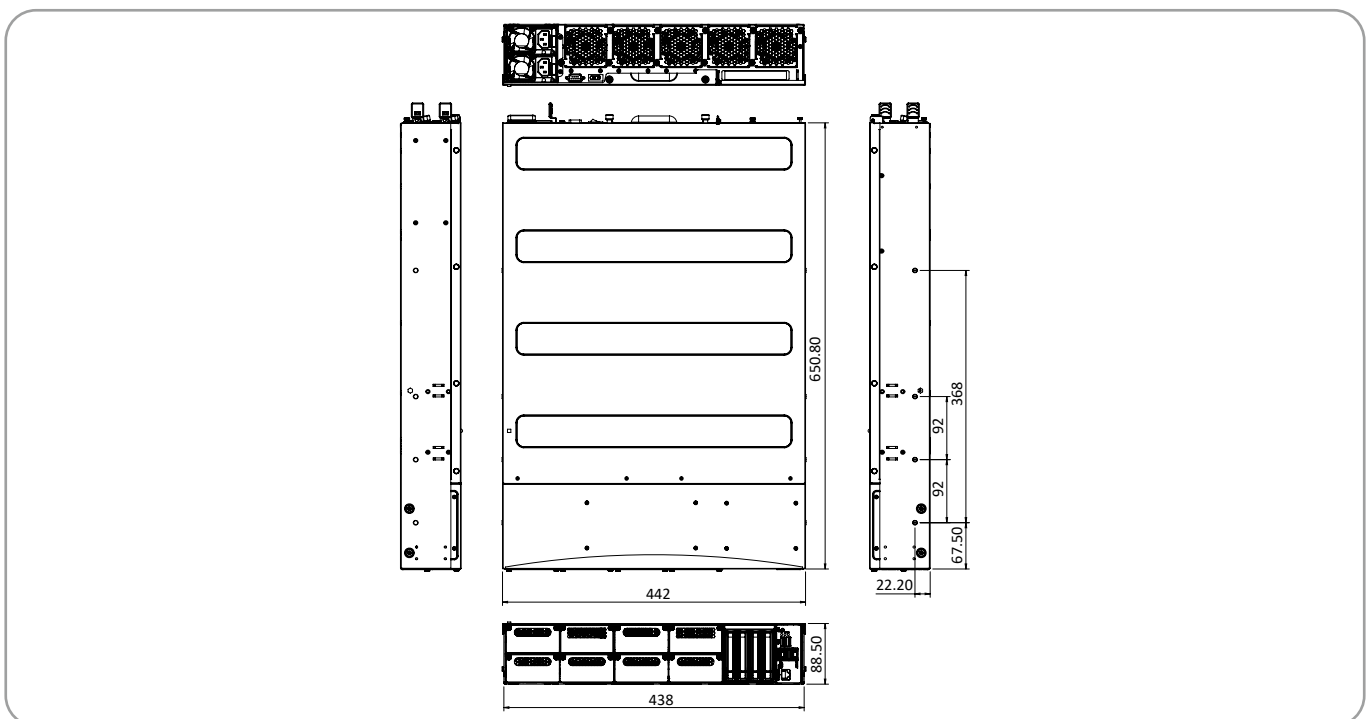
Item	Part No.	Description
Slide rail	45009-0018C0-00-RS	Sliding track, sliding track, AA68-5080PZZ1CV, Raw Material, 45009-0018XX, VER:00, RoHS
USB to console cable	32013-004000-100-RS	Round cable; LAN CABLE; FTDI console cable; 2; 1800MM; (A)USB A TYPE 4P MALE+PCB:FTDI_FT232RL; (B)RJ-45 8P8C; RoHS
CPU cooler	19100-000287-00-RS	Cooler module/Heat Pipe; HEATSINK:113*78*64mm, FAN:60*60*15mm; Standard; 00; TSM-002007-HS3; Aluminum plate+FIN Buckle+Heat Pipe*5; +Grease:TC5888+6025FAN+FAN cover+LGA4189*4; Nidec; H60T12BHA7-57T07; CCL; RoHS

IO Interface



- 1 8 x IEI Networking Module slot
- 2 4 x 2.5" drive bay
- 3 Reset button
- 4 Power status
HDD status
Alert LED
- 5 2 x USB 3.2 Gen 1
- 6 1 x MGMT LAN
1 x IPMI LAN
- 7 Console port
1 x USB type C
1 x RJ-45
- 8 PCIe expansion slot
- 9 VGA port
- 10 Power switch
- 11 5 x hot-swappable fan
- 12 Power inlet

Dimensions (Unit: mm)



PUZZLE-IN004

1U Rackmount Network Appliance with Intel® Xeon® D Processor support 8 x GbE, 4 x 10GbE SFP+ and 1 PCIe x8 slot



Features

- Intel® Xeon D-2100 series processor (Skylake-D) with optional Intel® QAT
- Support eight GbE RJ-45 via Intel® I211-AT, four 10 GbE SFP+ and IEI networking module
- 8 x 288-pin RDIMM, 2 x DDR4 2666 MHz, RDIMM up to 256GB / LRDIMM up to 512GB
- 1 x RJ-45 Console, 1 x USB 3.2 Gen 1 (5Gb/s), 1 x USB 2.0, LCM
- 2 x 2.5" SATA drive bay, 2 x M.2 M key 2280 (PCIe x4), 1 x PCIe Mini (PCIe + USB 2.0) with SIM card
- Support one PCIe x8 slot, one PuIM module slot
- Redundant PSUs

Specifications

		PUZZLE-IN004-XD1	PUZZLE-IN004-XD2	PUZZLE-IN004-XD3	PUZZLE-IN004-XD4	PUZZLE-IN004-XD5
Platform	Form Factor	1U				
	CPU	Intel® Xeon® D-2145NT processor 8C16T, 1.90 GHz	Intel® Xeon® D-2146NT processor 8C16T, 2.30 GHz	Intel® Xeon® D-2166NT processor 12C24T, 2.00 GHz	Intel® Xeon® D-2177NT processor 14C28T, 1.90 GHz	Intel® Xeon® D-2187NT processor 16C32T, 2.00 GHz
	Chipset	Integrated in CPU				
Memory	Memory Technology	DDR4 2133/2400 MHz ECC DDR4 RDIMM/LRDIMM				
	Memory Capacity	RDIMM up to 256GB / LRDIMM up to 512GB				
	Memory Socket	8 x 288-pin DIMM				
Network and Security	Network Acceleration and Security Function	<ul style="list-style-type: none"> • Intel® AES New Instructions • Intel® Software Guard Extensions (Intel® SGX) • Intel® Memory Protection Extensions (Intel® MPX) • Intel® Trusted Execution Technology 				
	TPM	1 x TPM 2.0 pin header				
Networking	Ethernet IC	1 GbE NIC: Intel® i211-AT 10 GbE: Intel® X722 integrated in CPU				
	Ethernet Port	4 x 10 GbE SFP+ / 8 x 1GbE RJ-45 LAN ports				
	Network Module Slot	1 x PuIM module slot				
Expansion Slot	PCIe Slot	1 x PCIe 3.0 x8 (FHHL) slot (double width)				
	PCIe Mini Card Slot	1 x PCIe Mini (PCIe + USB 2.0) with SIM card				
	M.2	1 x M.2 M key 2260/2280 Support PCIe 3.0 x4 nVME				
Storage	Storage	2 x 2.5" SATA HDD/SSD bay support SATA 3.0 (6 Gbps)				
	eMMC	N/A				
	SD Card	N/A				
External I/O	USB	1 x USB 2.0 / 1 x USB 3.2 Gen 1				
	Console	1 x RJ-45				
Internal I/O	HDMI	N/A				
	USB	N/A				
Power and Mechanical	Power Switch	1 x Power switch				
	Reset Button	1 x Reset button				
	Power Input	100 V ~ 240 V				
	Type/Watt	Redundant power 300W, 90V ~ 264V AC				
	Processor Cooling	1 x Passive CPU heatsink				
	System Cooling	3 x Cooling fans with smart fan				
Physical and Environmental	Antenna Hole	1 x Antenna hole				
	Storage Temperature	-20°C ~ 75°C (-4°F ~ 167°F)				
	Operating Temperature	0°C ~ 40°C (32°F ~ 104°F)				
	Operating Humidity	5% ~ 90% non-condensing				
	Dimensions (W x L x H) (mm)	430 x 426 x 44.2				
	Weight	7 kg				
OS and Certifications	Certification	CE / FCC / RoHS				
	Operating System	Linux Ubuntu 18.04.04 CentOS 7 / Red Hat / Fedora EPEL Microsoft Windows 10				
Indicators	LCM	LCM, 2 buttons				
	LED	Power status, Storage status, Alert LED				

Ordering Information

Part No.	Description
PUZZLE-IN004-XD1/R-R10	1U rackmount network appliance with Intel® Xeon® D-2145NT processor, eight 1GbE, four 10 GbE, one PuIM module slot and one PCIe expansion, RoHS
PUZZLE-IN004-XD1/32G/R-R10	1U rackmount network appliance with Intel® Xeon® D-2145NT processor, four 8GB DDR4, two 240GB SSD, eight 1GbE, four 10 GbE, one PuIM module slot and one PCIe expansion, RoHS
PUZZLE-IN004-XD2/R-R10	1U rackmount network appliance with Intel® Xeon® Intel Xeon D-2146NT processor, eight 1GbE, four 10 GbE, one PuIM module slot and one PCIe expansion, RoHS
PUZZLE-IN004-XD2/32G/R-R10	1U rackmount network appliance with Intel® Xeon® D-2146NT processor, four 8GB DDR4, two 240GB SSD, eight 1GbE, four 10 GbE, one PuIM module slot and one PCIe expansion, RoHS
PUZZLE-IN004-XD3/R-R10	1U rackmount network appliance with Intel® Xeon® D-2166NT processor, eight 1GbE, four 10 GbE, one PuIM module slot and one PCIe expansion, RoHS
PUZZLE-IN004-XD3/32G/R-R10	1U rackmount network appliance with Intel® Xeon® D-2166NT processor, four 8GB DDR4, two 240GB SSD, eight 1GbE, four 10 GbE, one PuIM module slot and one PCIe expansion, RoHS
PUZZLE-IN004-XD4/R-R10	1U rackmount network appliance with Intel® Xeon® D-2177NT processor, eight 1GbE, four 10 GbE, one PuIM module slot and one PCIe expansion, RoHS
PUZZLE-IN004-XD4/64G/R-R10	1U rackmount network appliance with Intel® Xeon® D-2177NT processor, four 16GB DDR4, two 480GB SSD, eight 1GbE, four 10 GbE, one PuIM module slot and one PCIe expansion, RoHS
PUZZLE-IN004-XD5/R-R10**	1U rackmount network appliance with Intel® Xeon® D-2187NT processor, eight 1GbE, four 10 GbE, one PuIM module slot and one PCIe expansion, RoHS
PUZZLE-IN004-XD5/64G/R-R10**	1U rackmount network appliance with Intel® Xeon® D-2187NT processor, four 16GB DDR4, two 480GB SSD, eight 1GbE, four 10 GbE, one PuIM module slot and one PCIe expansion, RoHS

** By order production

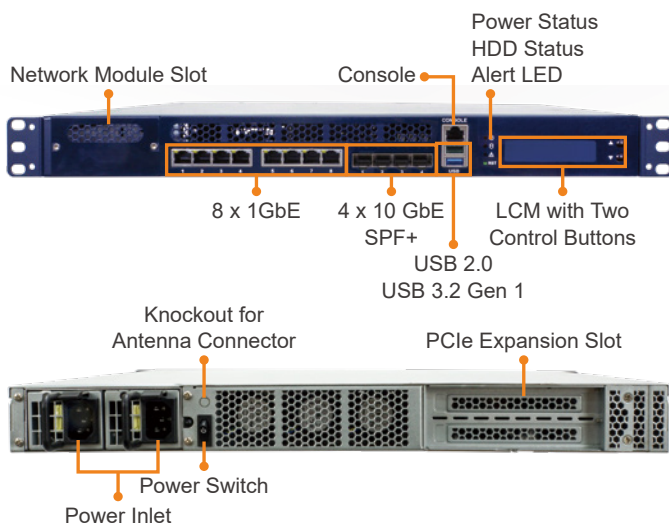
Packing List

	PUZZLE-IN004									
	XD1/R	XD2/R	XD3/R	XD4/R	XD5/R	XD1/32G/R	XD2/32G/R	XD3/32G/R	XD4/64G/R	XD5/64G/R
Power cord	2	2	2	2	2	2	2	2	2	2
Rack mounting ears	2	2	2	2	2	2	2	2	2	2
Screws for rack mounting ears	6	6	6	6	6	6	6	6	6	6
USB to console cable	option	option	option	option	option	1	1	1	1	1
RS-232 to console cable	1	1	1	1	1	option	option	option	option	option
Slide rail	option	option	option	option	option	option	option	option	option	option

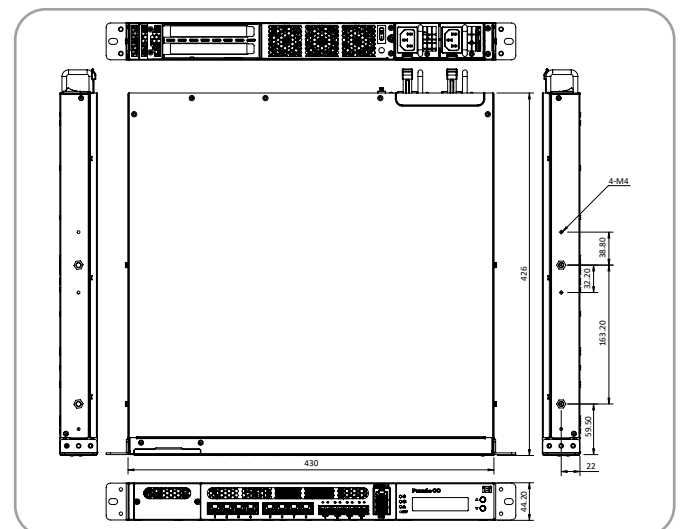
Options

Item	Part No.	Description
Slide rail	RAIL-B02	New rail kit for new 1U & 2U NAS: TVS-471U, 1253U, etc
USB to console cable	32013-004000-100-RS	ROUND CABLE; LAN CABLE; FTDI Console Cable; 2; 1800MM; (A)USB A TYPE 4P MALE+PCB:FTDI_FT232RL; (B)RJ-45 8P8C; RoHS
RS-232 to console cable	32005-005100-100-RS	ROUND CABLE; RS-232/422/485; PUZZLE RS-232 Cable; 2; 500MM; 24AWG; (A) D-SUB 9P MALE+#4-40 Screw; (B)RJ-45 PLUG 8P8C; ONE PCS PKG; TC&C; RoHS

IO Interface



Dimensions (Unit: mm)



PUZZLE-IN001

1U Rackmount Network Appliance with Intel® Xeon® E and 8th & 9th Generation Intel® Core™ i3/Pentium®/Celeron® Processor, two PuIM module slots and two PCIe slots



Features

- Intel® Xeon® E, 8th & 9th Generation Intel® Core™/Pentium®/Celeron® processor
- 8 x GbE RJ-45 via Intel® I211
- 2 x 288-pin DIMM, DDR4 2400 MHz ECC & non ECC, up to 32GB
- 1 x RJ-45 Console, 2 x USB 3.2 Gen 1 (5Gb/s), LCM
- 2 x 2.5" SATA drive bay, 1 x M.2 B-Key (SATA, USB 3.2 Gen 1 (5Gb/s)), 1 x PCIe Mini
- Support PCIe x4, PCIe x8 slot and two PuIM module slots
- Redundant PSUs

Specifications

		PUZZLE-IN001-XE	PUZZLE-IN001-i3T
Platform	Form Factor	1U	
	CPU	Intel® Xeon® E-2136 processor, 6C/12T, up to 4.50 GHz	8 th Generation Intel® Core™ i3-8100T processor, 4C/4T, up to 3.10 GHz
	Chipset	Intel® C246	
Memory	Memory Technology	2 x DDR4 2400 MHz ECC/Non-ECC/RDIMM	
	Memory Capacity	Up to 32GB	
	Memory Socket	2 x 288-pin DIMM	
Network and Security	Network Acceleration and Security Function	<ul style="list-style-type: none"> • Intel® AES New Instructions • Intel® Software Guard Extensions (Intel® SGX) • Intel® Memory Protection Extensions (Intel® MPX) • Intel® Trusted Execution Technology 	
	TPM	1 x TPM 2.0 pin header	
Networking	Ethernet IC	1 GbE NIC: Intel® I211-AT	
	Ethernet Port	8 x 1GbE RJ-45 LAN ports	
	Network Module Slot	2 x PuIM module slots	
Expansion Slot	PCIe Slot	1 x PCIe 3.0 x8 (FHHL) slot, 1 x PCIe 3.0 x4 (FHHL) slots	
	PCIe Mini Card Slot	1 x PCIe Mini card (PCIe 3.0 & SATA 3.0, USB 2.0)	
	M.2	1 x 3042/2260 M.2 B key (SATA 3.0 / USB 3.2 Gen 1) Support SATA SSD and 4G LTE module	
Storage	Storage	2 x 2.5" SATA HDD/SSD bay support SATA 3.0 (6 Gbps) (RAID 0/1 support)	
	eMMC	N/A	
	SD Card	N/A	
External I/O	USB	2 x USB 3.2 Gen 1 (5Gb/s)	
	Console	1 x RJ-45	
Internal I/O	HDMI	N/A	1 x HDMI connector (optional)
	USB	4 x USB 2.0 (pin header)	
Power and Mechanical	Power Switch	1 x Power switch	
	Reset Button	1 x Reset button	
	Power Input	100 V ~ 240 V	
	Type/Watt	Redundant power 300W 90V ~ 264V AC	
	Processor Cooling	1 x Passive CPU heatsink	
	System Cooling	4 x Cooling fans with smart fan	
	Antenna Hole	1 x Antenna hole	
Physical and Environmental	Storage Temperature	-20°C ~ 75°C (-4°F ~ 167°F)	
	Operating Temperature	0°C ~ 40°C (32°F ~ 104°F)	
	Operating Humidity	5% ~ 90% non-condensing	
	Dimensions (W x L x H) (mm)	430 x 426 x 44.2	
	Weight	7 kg	
OS and Certifications	Certification	CE / FCC / RoHS	
	Operating System	Linux Ubuntu 18.04.04 CentOS 7 / Red Hat / Fedora EPEL Microsoft Windows 10	
Indicators	LCM	LCM, 2 buttons	
	LED	1 x Power LED, 1 x Storage LED, 1 x Alert LED	

Ordering Information

Part No.	Description
PUZZLE-IN001-R-R11*	1U Rackmount Network Appliance support Intel® Gen 8 Xeon®E3, Core™ i3, Pentium® or Celeron® processor, two DDR4 slots, two SSD slots and eight 1GbE, two PuIM, two PCIe expansion without heatsink, Redundant Power, RoHS
PUZZLE-IN001-XE/R-R11	1U Rackmount Network Appliance with Intel® Gen 8 Xeon® E-2136 processor, two DDR4 slots, and eight 1GbE, two PuIM module slots, two PCIe expansion, Redundant Power, RoHS
PUZZLE-IN001-i3T/R-R11	1U Rackmount Network Appliance with Intel® Gen 8 Core™ i3-8100T processor, two DDR4 slots, and eight 1GbE, two PuIM module slots, two PCIe expansion, Redundant Power, RoHS
PUZZLE-IN001-XE/16G/R-R11	1U Rackmount Network Appliance with Intel® Gen 8 Xeon® E-2136 processor, two 8GB DDR4, two 256GB SSD, and eight 1GbE, two PuIM module slots, two PCIe expansion, Redundant Power, RoHS
PUZZLE-IN001-i3T/16G/R-R11	1U Rackmount Network Appliance with Intel® Gen 8 Core™ i3-8100T processor, two 8GB DDR4, two 256GB SSD, and eight 1GbE, two PuIM module slots, two PCIe expansion, Redundant Power, RoHS

* A CPU heatsink must be purchased separately

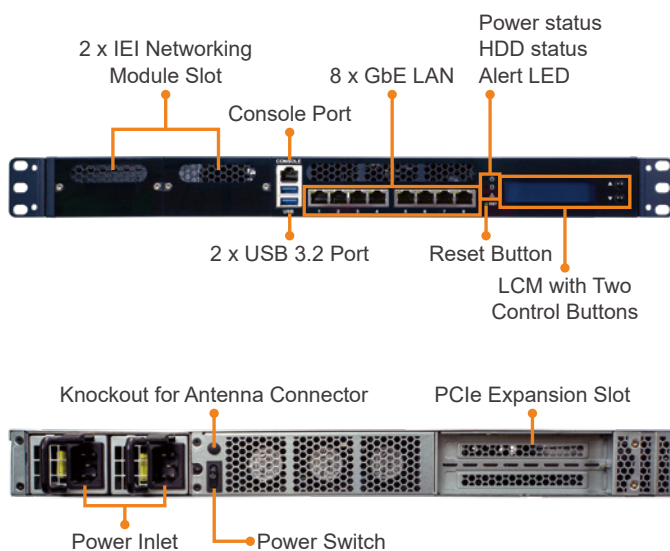
Packing List

	PUZZLE-IN001-R	PUZZLE-IN001-XE/R	PUZZLE-IN001-i3T/R	PUZZLE-IN001-XE/16G/R	PUZZLE-IN001-i3T/16G/R
Power cord	2	2	2	2	2
Rack mounting ears	2	2	2	2	2
Screws for rack mounting ears	6	6	6	6	6
USB to console cable	Option	Option	Option	1	1
RS-232 to console cable	1	1	1	Option	Option
Slide rail	Option	Option	Option	Option	Option

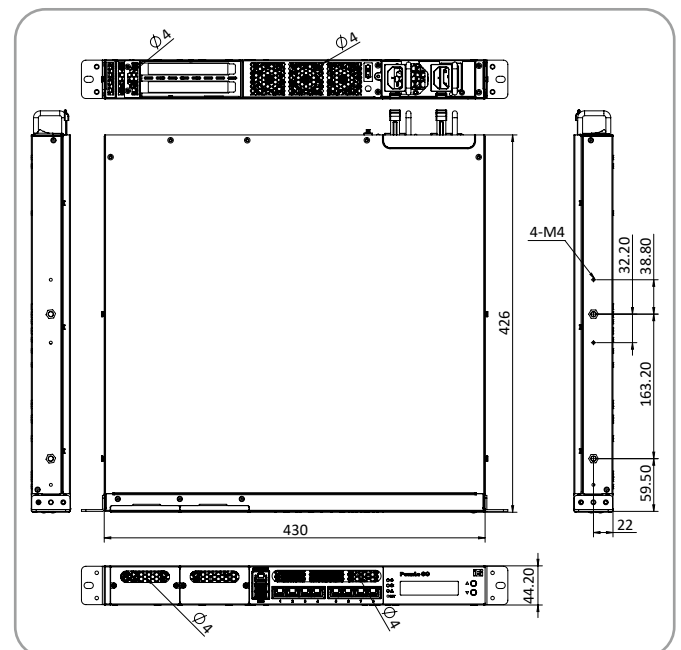
Options

Item	Part No.	Description
Slide rail	RAIL-B02	New rail kit for new 1U & 2U NAS: TVS-471U, 1253U, etc
USB to console cable	32013-004000-100-RS	Round cable; LAN CABLE; FTDI console cable; 2; 1800MM; (A)USB A TYPE 4P MALE+PCB:FTDI_FT232RL; (B)RJ-45 8P8C; RoHS
RS-232 to console cable	32005-005100-100-RS	Round cable; RS-232/422/485; PUZZLE RS-232 cable; 2; 500MM; 24AWG; (A)D-SUB 9P MALE+#4-40 Screw; (B)RJ-45 PLUG 8P8C; ONE PCS PKG; TC&C; RoHS
HDMI cable	19B00-000403-00-RS	Z532; Accessory module; PUZZLE series HDMI cable assembly (only processor support graphics model); standard; 00, RoHS
Heatsink (TDP: 35W)	34000-000731-RS	HEATSINK; 90*90*27MM, GREASE:35*35mm_K=6.5; Washer*4+SPING SCREW Set*4, for CPU TDP 35W; RoHS
Heatsink (TDP: 80W)	34000-000722-RS	HEATSINK/Heat Pipe; FIN:89.5X88.4X20MM+Ø6 Heat Pipe*1, Copper Block:40*36*3MM + Aluminum Block:90*90*4.0MM; SCREW+SPRING+E-RING+WASHER*4, GREASE:X23-7762for CPU TDP 80W; RoHS

IO Interface



Dimensions (Unit: mm)



PUZZLE-IN001A

1U Rackmount Network Appliance with Intel® Xeon® E and 8th & 9th Generation Intel® Core™ i3/Pentium®/Celeron® Processor, two PuIM module slots and two PCIe slots



Features

- Intel® Xeon® E, 8th & 9th Generation Intel® Core™/Pentium®/Celeron® processor
- 8 x 5 GbE RJ-45 via AQC 111C, support 100 meters over Cat 5e or better at 5 Gbps, 2.5 Gbps, 1 Gbps, 100 Mbps (require no change to existing infrastructure or cabling)
- 4 x 288-pin DIMM, DDR4 2400 MHz ECC & non ECC, up to 64 GB
- 1 x RJ-45 Console, 2 x USB 3.2 Gen 1, LCM
- 2 x 2.5" SATA drive bay, 1 x M.2 B-Key, 1 x PCIe Mini

Specifications

		PUZZLE-IN001A-XE	PUZZLE-IN001A-i3T
Platform	Form Factor	1U	
	CPU	Intel® Xeon® E-2136 processor, 6C/12T, up to 4.50 GHz	8 th Generation Intel® Core™ i3-8100T processor, 4C/4T, up to 3.10 GHz
	Chipset	Intel® C246	
Memory	Memory Technology	4 x DDR4 2400 MHz ECC/Non-ECC UDIMM	
	Memory Capacity	Up to 64GB	
	Memory Socket	4 x 288-pin DIMM	
Network and Security	Network Acceleration and Security Function	<ul style="list-style-type: none"> • Intel® AES New Instructions • Intel® Software Guard Extensions (Intel® SGX) • Intel® Memory Protection Extensions (Intel® MPX) • Intel® Trusted Execution Technology 	
	TPM	1 x TPM 2.0 pin header	
Networking	Ethernet IC	8 x 5GbE NIC: AQC 111C	
	Ethernet Port	8 x 5 GbE RJ-45 LAN ports	
	Network Module Slot	2 x PuIM module slots	
Expansion Slot	PCIe Slot	1 x PCIe 3.0 x8 (FHHL) slot, 1 x PCIe 3.0 x4 (FHHL) slots	
	PCIe Mini Card Slot	1 x PCIe Mini card (PCIe 3.0 & SATA 3.0, USB 2.0)	
	M.2	1 x 3042/2260 M.2 B key (SATA 3.0 / USB 3.2 Gen 1) Support SATA SSD and 4G LTE module	
Storage	Storage	2 x 2.5" SATA HDD/SSD bay support SATA 3.0 (6 Gbps)	
	eMMC	N/A	
	SD Card	N/A	
External I/O	USB	2 x USB 3.2 Gen 1 (5Gb/s)	
	Console	1 x RJ-45	
Internal I/O	HDMI	N/A	1 x HDMI connector (optional)
	USB	4 x USB 2.0 (pin header)	
Power and Mechanical	Power Switch	1 x Power switch	
	Reset Button	1 x Reset button	
	Power Input	100 V ~ 240 V	
	Type/Watt	Redundant power 300W 90V ~ 264V AC	
	Processor Cooling	1 x Passive CPU heatsink	
	System Cooling	4 x Cooling fans with smart fan	
	Antenna Hole	1 x Antenna hole	
Physical and Environmental	Storage Temperature	-20°C ~ 75°C (-4°F ~ 167°F)	
	Operating Temperature	0°C ~ 40°C (32°F ~ 104°F)	
	Operating Humidity	5% ~ 90% non-condensing	
	Dimensions (W x L x H) (mm)	430 x 426 x 44.2	
	Weight	7 kg	
OS and Certifications	Certification	CE / FCC / RoHS	
	Operating System	Linux Ubuntu 18.04.04 CentOS 7 / Red Hat / Fedora EPEL Microsoft Windows 10	
Indicators	LCM	LCM, 2 buttons	
	LED	1 x Power LED, 1 x Storage LED, 1 x Alert LED	

Ordering Information

Part No.	Description
PUZZLE-IN001A-i3T/16G/R-R10	1U Rackmount Network Appliance with Intel® Gen 8 Core™ i3-8100T processor, two 8GB DDR4, two 256GB SSD, eight 5GbE, two PuIM, two PCIe expansion, Redundant Power, RoHS
PUZZLE-IN001A-XE/16G/R-R10	1U Rackmount Network Appliance with Intel® Gen 8 Xeon® E-2136 processor, two 8GB DDR4, two 256GB SSD, eight 5GbE, two PuIM, two PCIe expansion, Redundant Power, RoHS

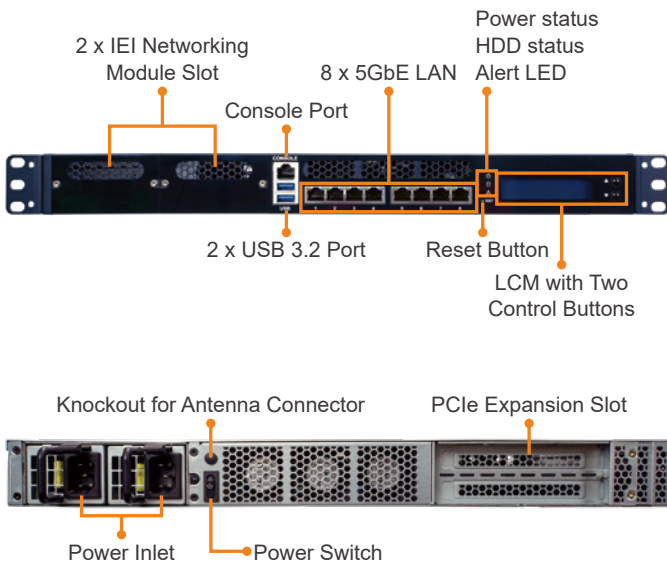
Packing List

	PUZZLE-IN001A-XE/16G/R	PUZZLE-IN001A-i3T/16G/R
Power cord	2	2
Rack mounting ears	2	2
Screws for rack mounting ears	6	6
USB to console cable	1	1
RS-232 to console cable	Option	Option
Slide rail	Option	Option

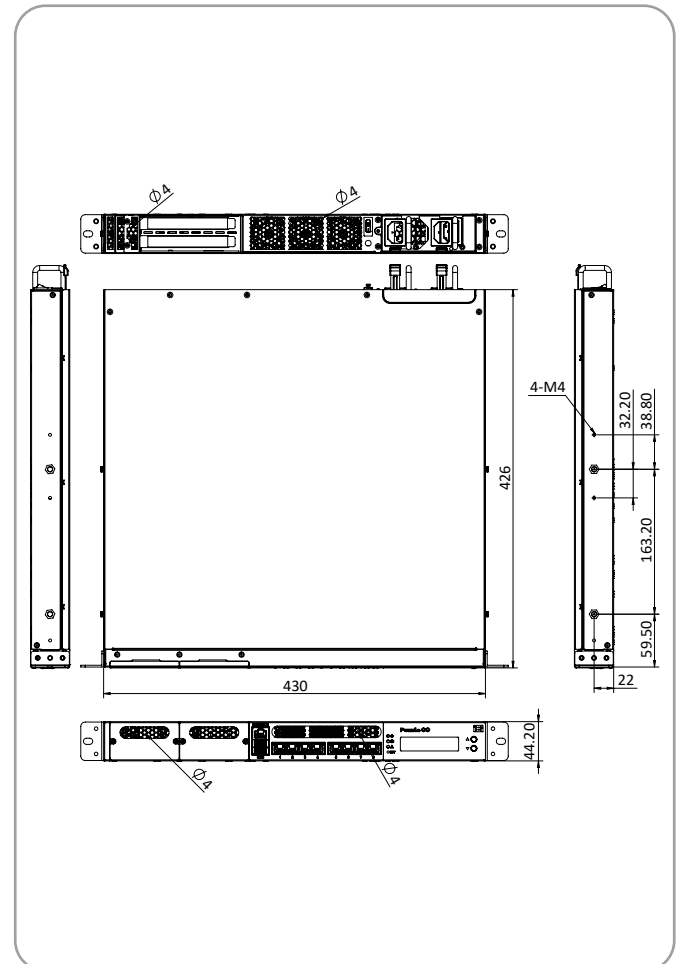
Options

Item	Part No.	Description
Slide rail	RAIL-B02	New rail kit for new 1U & 2U NAS: TVS-471U, 1253U, etc
USB to console cable	32013-004000-100-RS	ROUND CABLE; LAN CABLE; FTDI Console Cable; 2; 1800MM; (A)USB A TYPE 4P MALE+PCB:FTDI_FT232RL; (B)RJ-45 8P8C; RoHS
RS-232 to console cable	32005-005100-100-RS	ROUND CABLE; RS-232/422/485; PUZZLE RS-232 Cable; 2; 500MM; 24AWG; (A)D-SUB 9P MALE+#4-40 Screw; (B)RJ-45 PLUG 8P8C; ONE PCS PKG; TC&C; RoHS

IO Interface



Dimensions (Unit: mm)



PUZZLE-IN002

1U Rackmount Network Appliance with 8th & 9th Generation Intel® Core™ i7/i5/i3, Pentium® or Celeron® Processor, 1 PCIe slots



Features

- 8th & 9th Generation Intel® Core™ i7/i5/i3, Pentium® or Celeron® processor
- 6 x GbE RJ-45 via Intel® I211
- 2 x DDR4 2400 MHz Non-ECC UDIMM, up to 32GB
- 1 x RJ-45 Console, 2 x USB 3.2 Gen 1 (5Gb/s), LCM
- 2 x 2.5" SATA drive bay, 1 x M.2 A key (PCIe & USB 2.0), 1 x PCIe Mini card (SATA, USB 2.0) with SIM slot
- Support PCIe x16

Specifications

		PUZZLE-IN002-i3T	PUZZLE-IN002-PGT
Platform	Form Factor	1U	
	CPU	8 th Generation Intel® Core™ i3-8100T processor, 4C/4T, up to 3.10 GHz	Intel® Pentium® Gold G5400T processor, 2C/4T, up to 3.10 GHz
	Chipset	Intel® H310	
Memory	Memory Technology	2 x DDR4 2400 MHz Non-ECC UDIMM	
	Memory Capacity	Up to 32GB	
	Memory Socket	2 x 288-pin DIMM	
Network and Security	Network Acceleration and Security Function	<ul style="list-style-type: none"> • Intel® AES New Instructions • Intel® Software Guard Extensions (Intel® SGX) • Intel® Memory Protection Extensions (Intel® MPX) • Intel® Trusted Execution Technology 	
	TPM	1 x TPM 2.0 pin header	
Networking	Ethernet IC	1 GbE NIC: Intel® I211-AT	
	Ethernet Port	6 x 1GbE RJ-45 LAN ports	
	Network Module Slot	N/A	
Expansion Slot	PCIe Slot	1 x PCIe 3.0 x16 (FHHL) slot (double width)	
	PCIe Mini Card Slot	1 x PCIe Mini card (SATA 3.0, USB 2.0) with SIM slot	
	M.2	1 x M.2 A key (PCIe 2.0& USB 2.0)	
Storage	Storage	2 x 2.5" SATA HDD/SSD bay support SATA 3.0 (6 Gbps)	
	eMMC	N/A	
	SD Card	N/A	
External I/O	USB	2 x USB 3.2 Gen 1 (5Gb/s)	
	Console	1 x RJ-45	
Internal I/O	HDMI	1 x HDMI connector (optional)	
	USB	2 x USB 2.0 (pin header)	
Power and Mechanical	Power Switch	1 x Power switch	
	Reset Button	1 x Reset button	
	Power Input	100 V ~ 240 V	
	Type/Watt	ATX power 250W	
		90V~264V AC	
	Processor Cooling	1 x Passive CPU heatsink	
	System Cooling	4 x Cooling fans with smart fan	
Antenna Hole	1 x Antenna hole		
Physical and Environmental	Storage Temperature	-20°C ~ 75°C (-4°F ~ 167°F)	
	Operating Temperature	0°C ~ 40°C (32°F ~ 104°F)	
	Operating Humidity	5% ~ 90% non-condensing	
	Dimensions (W x L x H) (mm)	430 x 320 x 44.2	
	Weight	5 kg	
OS and Certifications	Certification	CE / FCC / RoHS	
	Operating System	Linux Ubuntu 18.04.04 CentOS 7 / Red Hat / Fedora EPEL Microsoft Windows 10	
Indicators	LCM	LCM, 2 buttons	
	LED	1 x Power LED, 1 x Storage LED, 1 x Alert LED	

Ordering Information

Part No.	Description
PUZZLE-IN002-R11*	1U Rackmount Network Appliance support Intel® Gen 8 Core™ i7, i5, i3, Pentium® or Celeron® processor, two DDR4 slots, and six 1GbE, one PCIe x16 expansion, RoHS
PUZZLE-IN002-i3T-R11	1U Rackmount Network Appliance with Intel® Gen 8 Core™ i3-8100T processor, two DDR4 slots, and six 1GbE, one PCIe x16 expansion, RoHS
PUZZLE-IN002-PGT-R11	1U Rackmount Network Appliance with Intel® Gen 8 Pentium® Gold G5400T processor, two DDR4 slots, and six 1GbE, one PCIe x16 expansion, RoHS
PUZZLE-IN002-i3T/8G-R11	1U Rackmount Network Appliance with Intel® Gen 8 Core™ i3-8100T processor, two 4GB DDR4, one 256GB SSD, six 1GbE, one PCIe x16 expansion, RoHS
PUZZLE-IN002-PGT/8G-R11	1U Rackmount Network Appliance with Intel® Gen 8 Pentium® Gold G5400T processor, two 4GB DDR4, one 256GB SSD, and six 1GbE, one PCIe x16 expansion, RoHS

* A CPU heatsink must be purchased separately

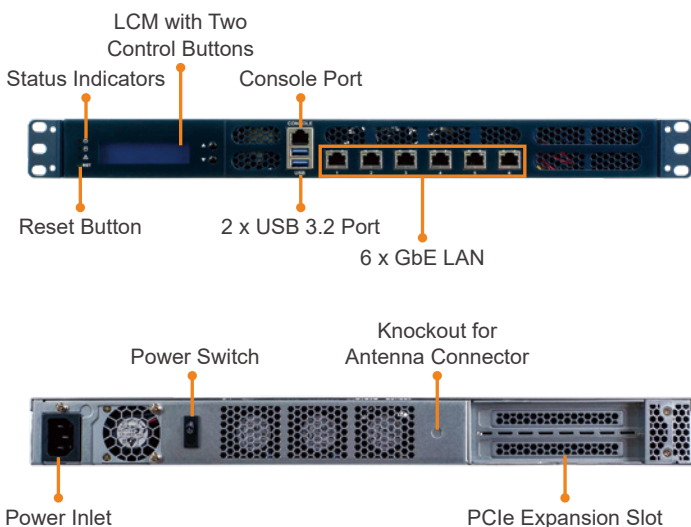
Packing List

	PUZZLE-IN002	PUZZLE-IN002-i3T	PUZZLE-IN002-PGT	PUZZLE-IN002-i3T/8G	PUZZLE-IN002-PGT/8G
Power cord	1	1	1	1	1
Rack mounting ears	2	2	2	2	2
Screws for rack mounting ears	6	6	6	6	6
USB to console cable	Option	Option	Option	1	1
RS-232 to console cable	1	1	1	Option	Option
Slide rail	Option	Option	Option	Option	Option

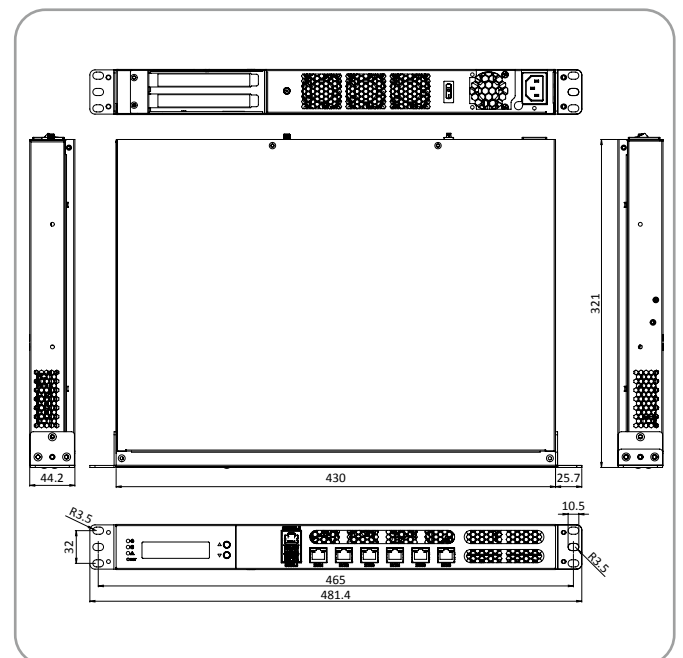
Options

Item	Part No.	Description
USB to console cable	32013-004000-100-RS	ROUND CABLE; LAN CABLE; FTDI Console Cable; 2; 1800MM; (A)USB A TYPE 4P MALE+PCB:FTDI_FT232RL; (B)RJ-45 8P8C; RoHS
RS-232 to console cable	32005-005100-100-RS	ROUND CABLE; RS-232/422/485; PUZZLE RS-232 Cable; 2; 500MM; 24AWG; (A)D-SUB 9P MALE+#4-40 Screw; (B)RJ-45 PLUG 8P8C; ONE PCS PKG; TC&C; RoHS
HDMI cable	19B00-000403-00-RS	Z532; Accessory module; PUZZLE series HDMI cable assembly (only processor support graphics model); standard; 00, RoHS
Heatsink (TDP: 35W)	34000-000731-RS	HEATSINK; 90*90*27MM, GREASE:35*35mm_K=6.5; Washer*4+SPING SCREW Set*4, for CPU TDP 35W; RoHS
Heatsink (TDP: 80W)	34000-000722-RS	HEATSINK/Heat Pipe; FIN:89.5X88.4X20MM+Ø6 Heat Pipe*1, Copper Block:40*36*3MM + Aluminum Block:90*90*4.0MM; SCREW+SPRING+E-RING+WASHER*4, GREASE:X23-7762for CPU TDP 80W; RoHS

IO Interface



Dimensions (Unit: mm)



PUZZLE-9030



Features

- AMD 3rd Gen EPYC™ 7003 Processor Family (Codename: Milan)
- 8-channel DDR4 3200 MHz memory, support ECC RDIMM/LRDIMM up to 4TB
- 2 x 2.5" U.2 (PCIe 4.0 x4) NVMe SSD or 2 x 3.5" SATA 6Gb/s HDD
- Support 2 SFP+, 4 NIC modules (PuIM)
- 1 x Riser card for PCIe x16 expansion slot to rear
- 2 x M.2 2280/22110 & 1 x mSATA

Specifications

		PUZZLE-9030
Platform	Form Factor	1U
	CPU	2 x AMD® EPYC™ Milan 7543
	Chipset	Integrated in CPU
Memory	Memory Technology	ECC & Register DDR4 3200 MHz memory, up to 256GB per DIMM
	Memory Capacity	RDIMM/LRDIMM: up to 4TB
	Memory Socket	16 x 288-pin DIMM (8 DIMM/CPU) eight channels
IPMI	IPMI Solution	1 x AST2620 (RTL8211E)
Networking	Ethernet Port	1 x GbE RJ-45 Intel I211
	Network Module Slot	4 x PuIM-100G2SF-CX6 (GenZ 4C+, PCIe Gen 4 x16)
Expansion Slot	PCIe slot	2 x PCIe x16 FHHL
Storage	Storage	2 x M.2 M key 2280 (PCIe 4.0 x4)
	U.2/SATA	2 x U.2 (PCIe 4.0 x4) or 2 x SATA 6Gb/s - (colay design)
External I/O	USB	2 x USB 3.1
	Console	1 x RJ-45
Power and Mechanical	Reset Button	1 x Reset button
	Power Input	AC power inlet on PSU AC 100V ~ 240V @47~63Hz
	Type/Watt	YM-2132EAR 90 ~ 132VAC @900W 100 ~ 132VAC @1000W 110 ~ 132VAC @1100W 180 ~ 264VAC @1300W
	Processor Cooling	2 x CPU heatsink
	System Cooling	6 x Individual hot-swappable cooling fans
Physical and Environmental	Storage Temperature	-10°C ~ 50°C
	Operating Temperature	0°C ~ 40°C (32°F ~ 104°F)
	Operating Humidity	5% ~ 90% non-condensing
Supported OS and Certifications	Certification	RoHS, CE/FCC, UL
	Supported OS	Linux (CentOS, Red Hat, Ubuntu, etc.)
Indicators	LED	1 x Power / 1 x Status / 1 x Alert

Ordering Information

Part No.	Description
PUZZLE-9030	1U rackmount network appliance supporting AMD 3rd Gen EPYC™ 7003 Processor Family (codenamed Milan), 8-channel 3200 MHz DDR4 ECC RDIMM/LRDIMM up to 4TB, two 2.5" U.2 (PCIe 4.0 x4) NVMe SSD or two 3.5" SATA 6Gb/s HDD, two SFP+, four NIC modules (PuIM), one riser card for PCIe x16 expansion slot to rear, two M.2 2280/22110 & one mSATA, support IPMI (optional)

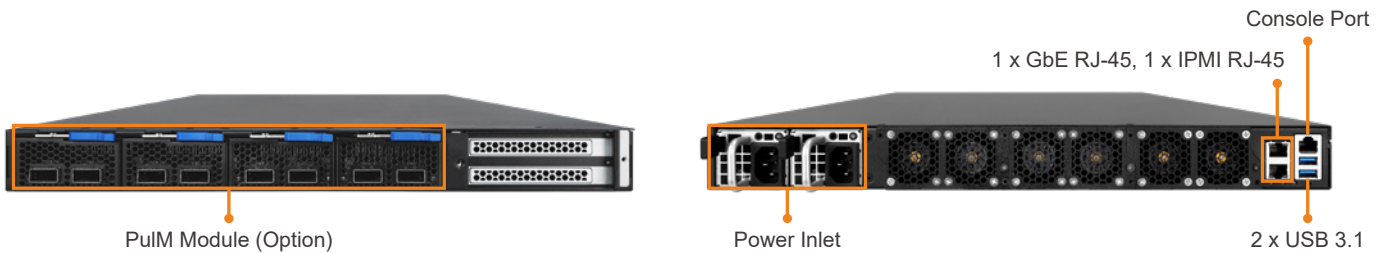
Packing List

	PUZZLE-9030
Power cord	2
Rack mounting ears	2
Screw for rack mounting ears	6
USB to console cable	1
RS-232 to console cable	Optional
Slide rail	Optional

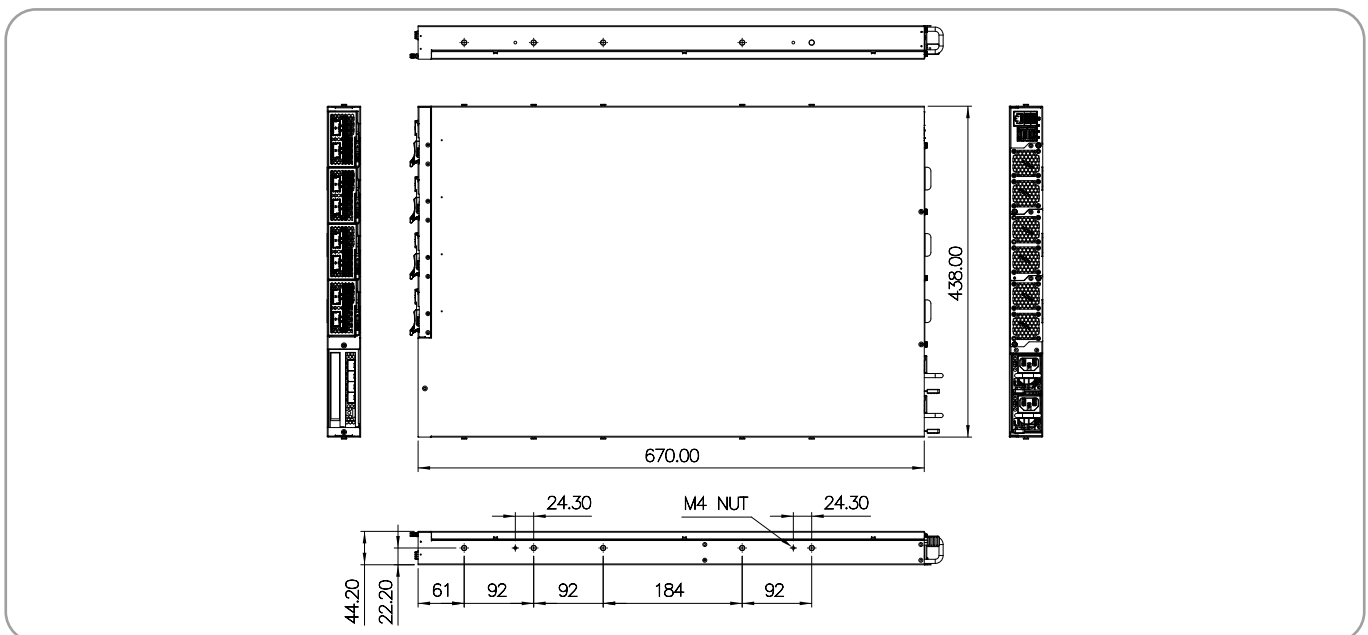
Options

Item	Part No.	Description
Slide rail		Slide rail kit for PUZZLE-9030
USB to console cable	32013-004000-100-RS	ROUND Cable; LAN Cable; FTDI Console Cable; 2; 1800MM; (A)USB A TYPE 4P MALE+PCB:FTDI_FT232RL; (B)RJ-45 8P8C; RoHS
RS-232 to console cable	32005-005100-100-RS	ROUND Cable; RS-232/422/485; PUZZLE RS-232 Cable; 2; 500MM; 24AWG; (A)D-SUB 9P MALE+#4-40 Screw; (B)RJ-45 8P8C; ONE PCS PKG; TC&C; RoHS

IO Interface



Dimensions (Unit: mm)



PUZZLE-3034



Features

- Intel® Atom® C3758R 8C/8T (16M Cache, 2.4 GHz)
- 2 x DDR4 2400 MHz non-ECC UDIMM
- 8 x 2.5GbE RJ-45 LAN ports, 4 x 10 GbE SFP+
- 1 x RJ-45 console, 2 x USB 3.0 (support UPS equipment only)
- SATA DOM, 64GB eMMC

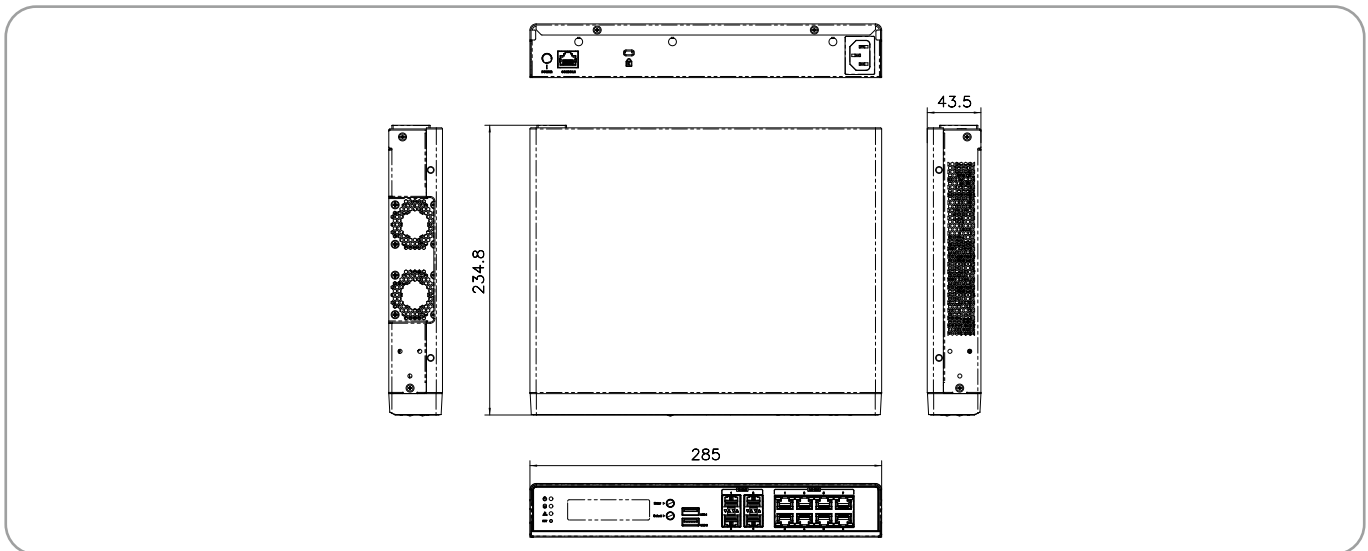
Specifications

		PUZZLE-3034
Platform	Form Factor	Desktop
	CPU	Intel® Atom® C3758R 8C/8T (16M Cache, 2.4 GHz)
	Chipset	Intel® Denverton-R
Memory	Memory Technology	2 x DDR4 2400 MHz Non-ECC UDIMM Default: 2 x UDIMM 8G
	Memory Capacity	Up to 64GB (based on DIMM capacity)
	Memory Socket	2 x 288-pin DIMM
Network and Security	Network acceleration and Security function	Intel® AES New Instructions Intel® Software Guard Extensions (Intel® SGX) Intel® Memory Protection Extensions (Intel® MPX) Intel® Trusted Execution Technology
Networking	Ethernet IC	Intel 2.5GbE KT1225V SLNMH
	Ethernet Port	8 x 2.5 GbE RJ-45 LAN ports 4 x 10 GbE, SFP+
Expansion Slot	M.2	1 x 2242 B key slot for M.2 SATA 1 x 3052 B key slot + SIM card socket for 5G/LTE card 2 x 2280 M key slot for NVME
Storage	eMMC	64GB eMMC
External I/O	USB	2 x USB 3.0 (support UPS equipment only)
	Console	1 x RJ-45
Power and Mechanical	Power Switch	1 x Power button
	Reset Button	1 x Reset button
	Power Input	101 V ~ 240 V
	Type/Watt	Open-frame DPS-60AP-5 D; Vin: 90 ~ 264VAC; 71W
	Processor Cooling	2 x Passive CPU heatsink
	System Cooling	2 x Cooling fans
	Antenna Port	4 x Antenna port
Physical and Environmental	Storage Temperature	-10°C ~ 50°C
	Operating Temperature	0°C ~ 40°C (32°F ~ 104°F)
	Operating Humidity	5% ~ 90% non-condensing
	Dimensions (W x H x D) (mm)	46.65 x 285 x 236.7
Supported OS and Certifications	Certification	CE, FCC, VCCI, RCM
	Supported OS	Linux Ubuntu 18.04.05
Indicators	LCM	16 x 3 character with control keys
	LED	1 x Power LED, 1 x Storage LED, 1 x Alert LED

IO Interface



Dimensions (Unit: mm)



Ordering Information

Part No.	Description
PUZZLE-3034	Desktop network appliance with Intel® Atom® C3758R 8C/8T (16M cache, 2.4 GHz), two DDR4 2400 MHz non-ECC UDIMM, eight 2.5GbE RJ-45 LAN ports, four 10 GbE SFP+, one RJ-45 console, two USB 3.0 (support UPS equipment only), SATA DOM, 64GB eMMC

Packing List

	PUZZLE-3034
Power cord	1
Rack mounting ears	2
Screw for rack mounting ears	6

Options

	Part No.	Description
USB to console cable	32013-004000-100-RS	ROUND Cable; LAN Cable; FTDI Console Cable; 2; 1800MM; (A)USB A TYPE 4P MALE+PCB:FTDI_FT232RL; (B)RJ-45 8P8C; RoHS
RS-232 to console cable	32005-005100-100-RS	ROUND Cable; RS-232/422/485; PUZZLE RS-232 Cable; 2; 500MM; 24AWG; (A)D-SUB 9P MALE+#4-40 Screw; (B)RJ-45 8P8C; ONE PCS PKG; TC&C; RoHS

PUZZLE-3032



Features

- Intel® Atom® C3558R 4C/4T (8M cache, 2.4 GHz)
- 2 x DDR4 2400 MHz non-ECC UDIMM
- 8 x 2.5GbE RJ-45 LAN ports, 2 x 10 GbE SFP+
- 1 x RJ-45 console, 2 x USB 3.0 (support UPS equipment only)
- SATA DOM, 64GB eMMC

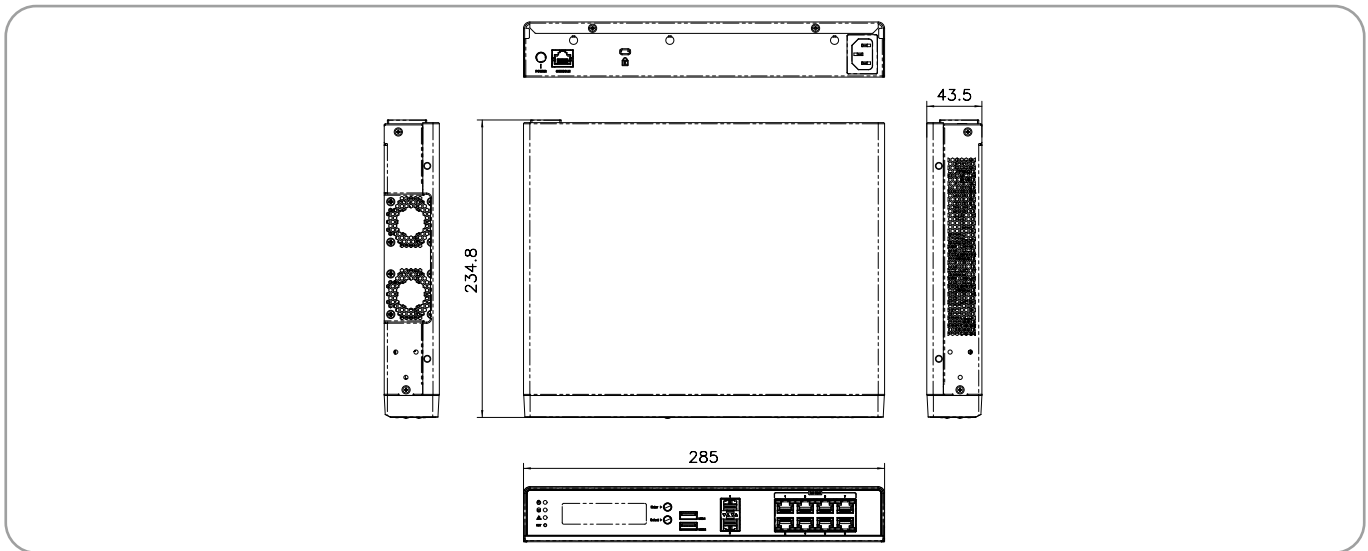
Specifications

		PUZZLE-3032
Platform	Form Factor	Desktop
	CPU	Intel® Atom® C3558R 4C/4T (8M cache, 2.4 GHz)
	Chipset	Intel® Denverton-R
Memory	Memory Technology	2 x DDR4 2400 MHz non-ECC UDIMM Default: 1 x UDIMM 8G
	Memory Capacity	Up to 64GB (based on DIMM capacity)
	Memory Socket	2 x 288-pin DIMM
Network and Security	Network Acceleration and Security Function	Intel® AES New Instructions Intel® Software Guard Extensions (Intel® SGX) Intel® Memory Protection Extensions (Intel® MPX) Intel® Trusted Execution Technology
Networking	Ethernet IC	Intel 2.5GbE KTI225V SLNMH
	Ethernet Port	8 x 2.5GbE RJ-45 LAN ports 2 x 10 GbE, SFP+
Expansion Slot	M.2	1 x 2242 B key slot for M.2 SATA 1 x 3052 B key slot + SIM card socket for 5G/LTE card 2 x 2280 M key slot for NVME
Storage	eMMC	64GB eMMC
External I/O	USB	2 x USB 3.0 (support UPS equipment only)
	Console	1 x RJ-45
Power and Mechanical	Power Switch	1 x Power button
	Reset Button	1 x Reset button
	Power Input	100 V ~ 240 V
	Type/Watt	Open-frame DPS-60AP-5 D; Vin: 90 ~ 264VAC; 70W
	Processor Cooling	1 x Passive CPU heatsink
	System Cooling	2 x Cooling fans
	Antenna Port	3 x Antenna hole (reserved)
Physical and Environmental	Storage Temperature	-10°C ~ 50°C
	Operating Temperature	0°C ~ 40°C (32°F ~ 104°F)
	Operating Humidity	5% ~ 90% non-condensing
	Dimensions (W x H x D) (mm)	46.65 x 285 x 236.6
Supported OS and Certifications	Certification	CE, FCC, VCCI, RCM
	Supported OS	Linux Ubuntu 18.04.05
Indicators	LCM	16 x 2 character with control keys
	LED	1 x Power LED, 1 x Storage LED, 1 x Alert LED

IO Interface



Dimensions (Unit: mm)



Ordering Information

Part No.	Description
PUZZLE-3032	Desktop network appliance with Intel® Atom® C3558R processor, two DDR4 2400 MHz non-ECC UDIMM, eight 2.5GbE RJ-45 LAN ports, two 10 GbE SFP+, one RJ-45 console, two USB 3.0 (support UPS equipment only), SATA DOM, 64GB eMMC

Packing List

PUZZLE-3032	
Power cord	1
Rack mounting ears	2
Screw for rack mounting ears	6

Options

	Part No.	Description
USB to console cable	32013-004000-100-RS	ROUND Cable; LAN Cable; FTDI Console Cable; 2; 1800MM; (A)USB A TYPE 4P MALE+PCB:FTDI_FT232RL; (B)RJ-45 8P8C; RoHS
RS-232 to console cable	32005-005100-100-RS	ROUND Cable; RS-232/422/485; PUZZLE RS-232 Cable; 2; 500MM; 24AWG; (A)D-SUB 9P MALE+#4-40 Screw; (B)RJ-45 8P8C; ONE PCS PKG; TC&C; RoHS

PUZZLE-IN003A

Desktop Network Appliance with Intel® Atom® Processor C3000 Processor, up to 8 x 1 GbE on Board with 2 (by sku) bypass segments, 1 x eMMC 32GB



Features

- Intel® Atom® processor C3558 8M Cache, up to 2.20 GHz
- Support 4 x 1 GbE NIC via Intel® I211, 4 x 1 GbE PHY via Marvell 88E1543
- Support bypass function (by sku)
- DDR4 2133 MHz ECC (by CPU) or non-ECC UDIMM/R-DIMM Up to 128GB
- 1 x M.2 A key (USB 2.0, PCIe x1), 1 x miniPCIe (USB 2.0, PCIe x1) with SIM card slot, 1 x eMMC 32GB

Specifications

		PUZZLE-IN003A-C1	PUZZLE-IN003A-C3
Platform	Form Factor	Desktop	
	CPU	Intel® Atom® processor C3558 8M cache, up to 2.20 GHz	Intel® Atom® Processor C3336 4M Cache, 1.50 GHZ
	Chipset	Integrated in CPU	
Memory	Memory Technology	DDR4 2133 MHz ECC (By CPU) or non-ECC UDIMM, Support DDR4 RDIMM	
	Memory Capacity	UDIMM up to 64GB / RDIMM up to 128GB	
	Memory Socket	2 x 288-pin DIMM	1 x 288-pin DIMM
Network and Security	Network Acceleration and Security Function	<ul style="list-style-type: none"> • Intel® AES New Instructions • Intel® Software Guard Extensions (Intel® SGX) • Intel® Virtualization Technology for Directed I/O (VT-d) • Intel® QuickAssist Technology (Intel® QAT) 	<ul style="list-style-type: none"> • Intel® Virtualization Technology for Directed I/O (VT-d) • Intel® Virtualization Technology (VT-x) • Intel® QuickAssist Technology (Intel® QAT)
	TPM	1 x TPM 2.0 pin header	
Networking	Ethernet IC	1 GbE NIC: Intel® i211-AT 1 GbE PHY: Marvell 88E1543	
	Ethernet Port	4 x GbE from Intel® i211-AT 4 x GbE from Marvell 88E1543	4 x GbE from Intel® i211-AT 2 x GbE from Marvell 88E1543
	Bypass	Yes, 2 bypass segments	Yes, 1 bypass segments
	Network Module Slot	N/A	
Expansion Slot	PCIe Slot	N/A	
	PCIe Mini Card Slot	1 x PCIe Mini card (PCIe 3.0, USB 2.0) with SIM slot	
	M.2	1 x M.2 A key (PCIe 3.0 & USB 2.0)	
Storage	Storage	1 x SATA 3.0 + 1 x 5V power connector (for SATA DOM) 1 x M.2 M key 2260/2280 Support PCIe 3.0 x4 nVME	
	eMMC	1 x eMMC 32GB	
	SD Card	N/A	
External I/O	USB	1 x USB 2.0 1 x USB 3.2 Gen 1	
	Console	1 x RJ-45	
Internal I/O	HDMI	N/A	
	USB	N/A	
Power and Mechanical	Power Switch	1 x Power switch	
	Reset Button	1 x Reset button	
	Power Input	1 x DC jack	
	Type/Watt	12 V DC-in, 60W	
	Processor Cooling	Passive CPU heatsink	
	System Cooling	Fanless	
	Antenna Hole	2 x Antenna hole	
Physical and Environmental	Storage Temperature	-20°C ~ 75°C (-4°F ~ 167°F)	
	Operating Temperature	0°C ~ 40°C (32°F ~ 104°F)	
	Operating Humidity	5% ~ 90% non-condensing	
	Dimensions (W x L x H) (mm)	225 x 206 x 44.2	
	Weight	2 kg	
OS and Certifications	Certification	CE / FCC / RoHS	
	Operating System	Linux Ubuntu 18.04.04 CentOS 7 / Red Hat / Fedora EPEL Microsoft Windows 10	
Indicators	LCM	N/A	
	LED	1 x Power LED, 1 x Storage LED, 1 x Alert LED	

Ordering Information

Part No.	Description
PUZZLE-IN003A-C1-R10	Desktop network appliance with Intel® ATOM® C3558 processor, 8 x 1GbE on Board with up to 2 bypass segments, eMMC 32GB & 2 x M.2 slot, RoHS
PUZZLE-IN003A-C1/8G-R10	Desktop network appliance with Intel® ATOM® C3558 processor, 8 x 1GbE on Board with up to 2 bypass segments, 8GB DDR4, eMMC 32GB & 2 x M.2 slot, RoHS
PUZZLE-IN003A-C3-R10	Desktop network appliance with Intel® ATOM® C3336 processor, 6 x 1GbE on Board with up to 1 bypass segments, eMMC 32GB & 2 x M.2 slot, RoHS
PUZZLE-IN003A-C3/8G-R10	Desktop network appliance with Intel® ATOM® C3336 processor, 6 x 1GbE on Board with up to 1 bypass segments, 8GB DDR4, eMMC 32GB & 2 x M.2 slot, RoHS

Packing List

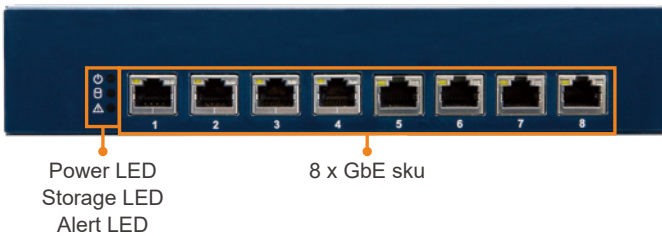
	PUZZLE-IN003A-C1-R10	PUZZLE-IN003A-C1/8G-R10	PUZZLE-IN003A-C3-R10	PUZZLE-IN003A-C3/8G-R10
Power cord	1	1	1	1
Power adapter	1	1	1	1
Rack mounting ears	Option	2	Option	2
Screws for rack mounting ears	Option	6	Option	6
USB to console cable	Option	1	option	1
RS-232 to console cable	1	Option	1	Option

Options

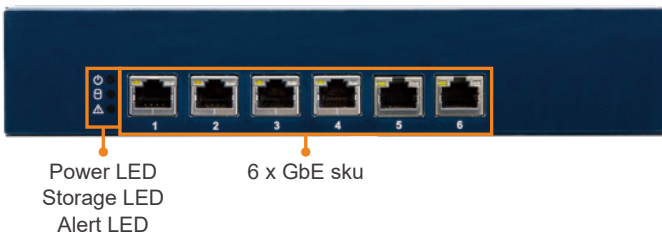
Item	Part No.	Description
USB to console cable	32013-004000-100-RS	Round cable, LAN cable, FTDI console cable, 2, 1800MM, (A) USB A TYPE 4P MALE+PCB:FTDI_FT232RL, (B) RJ-45 8P8C, RoHS
RS-232 to console cable	32005-005100-100-RS	Round cable, RS-232/422/485, PUZZLE RS-232 cable, 2, 500MM, 24AWG, (A) D-SUB 9P MALE+#4-40 screw, (B) RJ-45 PLUG 8P8C, ONE PCS PKG, TC&C, RoHS
Rack ear mounting kit	19B00-000417-00-RS	Accessory module: PUZZLE-IN003 series rack ear mounting kit

IO Interface

PUZZLE-IN003A-C1



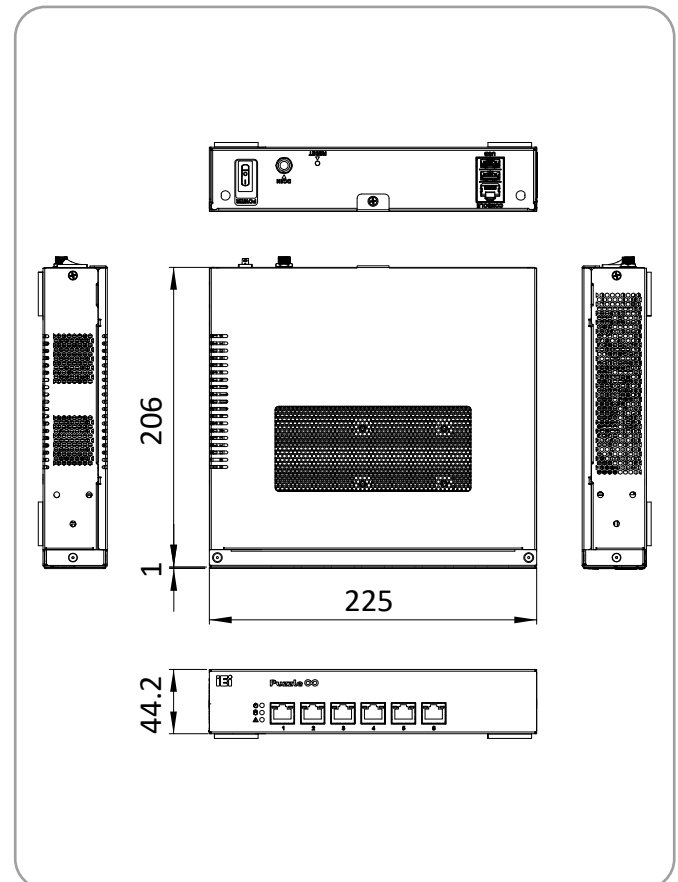
PUZZLE-IN003A-C3



Rear view



Dimensions (Unit: mm)



PUZZLE-IN003B

Desktop Network Appliance with Intel® Atom® Processor C3000
 Processor support up to 6 x 1 GbE, 2 x 10 GbE & 2 x M.2 slots, 1 x PCIe Mini, 1 x eMMC 32GB



Features

- Intel® Atom® processor C3558 8M Cache, up to 2.20 GHz
- Support 4 x 1 GbE NIC via Intel® C3558, 2 x 1 GbE PHY via Marvell 88E1512, 2 x 10 GbE SFP+ via intel C3558
- DDR4 2133 MHz ECC (by CPU) or non-ECC UDIMM/R-DIMM Up to 128GB
- 1 x M.2 A key (USB 2.0, PCIe x1), 1 x miniPCIe (USB 2.0, PCIe x1) with SIM card slot, 1 x eMMC 32GB

Specifications

		PUZZLE-IN003B-C0	PUZZLE-IN003B-C1
Platform	Form Factor	Desktop	
	CPU	Intel® Atom® processor C3758 16M cache, up to 2.20 GHz	Intel® Atom® processor C3558 8M cache, up to 2.20 GHz
	Chipset	Integrated in CPU	
Memory	Memory Technology	DDR4 2133 MHz ECC (By CPU) or non-ECC UDIMM, Support DDR4 RDIMM	
	Memory Capacity	UDIMM up to 64GB / RDIMM up to 128GB	
	Memory Socket	4 x 288-pin DIMM	
Network and Security	Network Acceleration and Security Function	<ul style="list-style-type: none"> • Intel® AES New Instructions • Intel® Software Guard Extensions (Intel® SGX) • Intel® Memory Protection Extensions (Intel® MPX) • Intel® Virtualization Technology for Directed I/O (VT-d) • Intel® QuickAssist Technology (Intel® QAT) 	<ul style="list-style-type: none"> • Intel® AES New Instructions • Intel® Software Guard Extensions (Intel® SGX) • Intel® Virtualization Technology for Directed I/O (VT-d) • Intel® QuickAssist Technology (Intel® QAT)
	TPM	1 x TPM 2.0 pin header	
Networking	Ethernet IC	1 GbE NIC: Intel® i211-AT 1 GbE PHY: Marvell 88E1512 10 GbE: Intel® X553 integrated in CPU	
	Ethernet Port	4 x 1GbE from Intel® i211-AT 2 x 1GbE from Marvell 88E1512 2 x 10 GbE SFP+	
	Network Module Slot	N/A	
Expansion Slot	PCIe Slot	N/A	
	PCIe Mini Card Slot	1 x PCIe Mini card (PCIe 3.0, USB 2.0) with SIM slot	
	M.2	1 x M.2 A key (PCIe 3.0& USB 2.0)	
Storage	Storage	1 x SATA 3.0 + 1 x 5V power connector (for SATA DOM) 1 x M.2 M key 2260/2280 Support PCIe 3.0 x4 nVME	
	eMMC	1 x eMMC 32GB	
	SD Card	N/A	
External I/O	USB	1 x USB 2.0 1 x USB 3.2 Gen 1	
	Console	1 x RJ-45	
Internal I/O	HDMI	N/A	
	USB	N/A	
Power and Mechanical	Power Switch	1 x Power switch	
	Reset Button	1 x Reset button	
	Power Input	1 x DC jack	
	Type/Watt	12 V DC-in, 60W	
	Processor Cooling	Passive CPU heatsink	
	System Cooling	Two system fans	Fanless
Physical and Environmental	Antenna Hole	2 x Antenna hole	
	Storage Temperature	-20°C ~ 75°C (-4°F ~ 167°F)	
	Operating Temperature	0°C ~ 40°C (32°F ~ 104°F)	
	Operating Humidity	5% ~ 90% non-condensing	
	Dimensions (W x L x H) (mm)	225 x 206 x 44.2	
Weight	2 kg		
OS and Certifications	Certification	CE / FCC / RoHS	
	Operating System	Linux Ubuntu 18.04.04 CentOS 7 / Red Hat / Fedora EPEL Microsoft Windows 10	
Indicators	LCM	N/A	
	LED	1 x Power LED, 1 x Storage LED, 1 x Alert LED	

Ordering Information

Part No.	Description
PUZZLE-IN003B-C0-R10	Desktop network appliance with Intel® ATOM® C3758 processor, 4 x DDR4 slots, 6 x 1GbE, 2 x 10 GbE & 2 x M.2 slots, 1 x PCIe Mini slot, 1 x eMMC 32GB, RoHS
PUZZLE-IN003B-C0/8G-R10	Desktop network appliance with Intel® ATOM® C3758 processor, one 8GB DDR4, 6 x 1GbE, 2 x 10 GbE & 2 x M.2 slots, 1 x PCIe Mini slot, 1 x eMMC 32GB, RoHS
PUZZLE-IN003B-C1-R10	Desktop network appliance with Intel® ATOM® C3558 processor, 4 x DDR4 slots, 6 x 1GbE, 2 x 10 GbE & 2 x M.2 slots, 1 x PCIe Mini slot, 1 x eMMC 32GB, RoHS
PUZZLE-IN003B-C1/8G-R10	Desktop network appliance with Intel® ATOM® C3558 processor, one 8GB DDR4, 6 x 1GbE, 2 x 10 GbE & 2 x M.2 slots, 1 x PCIe Mini slot, 1 x eMMC 32GB, RoHS

Packing List

	PUZZLE-IN003B-C0-R10	PUZZLE-IN003B-C0/8G-R10	PUZZLE-IN003B-C1-R10	PUZZLE-IN003B-C1/8G-R10
Power cord	1	1	1	1
Power adapter	1	1	1	1
Rack mounting ears	Option	2	Option	2
Screws for rack mounting ears	Option	6	Option	6
USB to console cable	Option	1	Option	1
RS-232 to console cable	1	Option	1	Option

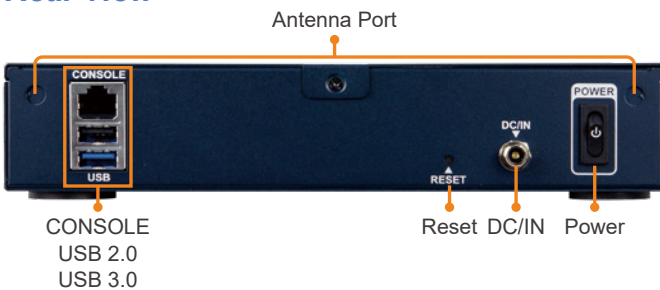
Options

Item	Part No.	Description
USB to console cable	32013-004000-100-RS	Round cable, LAN cable, FTDI console cable, 2, 1800MM, (A) USB A TYPE 4P MALE+PCB:FTDI_FT232RL, (B) RJ-45 8P8C, RoHS
RS-232 to console cable	32005-005100-100-RS	Round cable, RS-232/422/485, PUZZLE RS-232 cable, 2, 500MM, 24AWG, (A) D-SUB 9P MALE+#4-40 screw, (B) RJ-45 PLUG 8P8C, ONE PCS PKG, TC&C, RoHS
Rack ear mounting kit	19B00-000417-00-RS	Accessory module: PUZZLE-IN003 series rack ear mounting kit

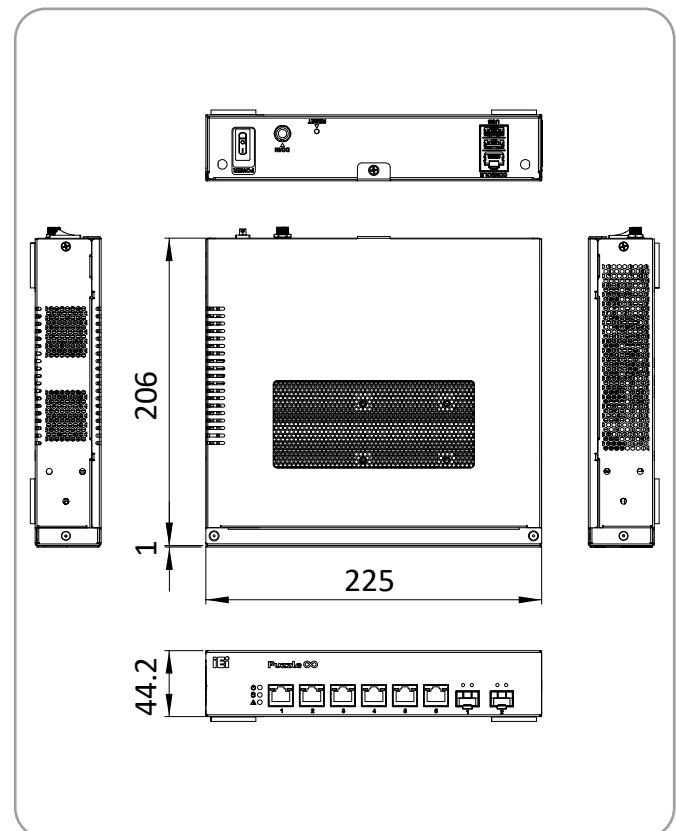
IO Interface



Rear view



Dimensions (Unit: mm)



PUZZLE-M901



Features

- Marvell CN9130 quad-core ARMv8 cortex-A72 @ up to 2200 MHz
- Six 2.5 GbE RJ-45 ports
- Onboard 4 GB eMMC, one console port (pin-header)
- LED indicators: Status/Power & WAN/LAN interface indicator
- Pre-installed OpenWrt
- Support M.2 2242 M key (PCIe Gen 3 x2)

Specifications

		PUZZLE-M901
Form Factor	Desktop	Desktop
	CPU	Marvell® CN9130 quad-core ARMv8 Cortex-A72 @ up to 2200 MHz
Memory	System Memory	4GB
	Flash Memory	64GB
Networking	Ethernet IC	Aquantia AQR112R
		Aquantia AQR112C
		Aquantia AQR112
	Ethernet Port	1 x 2.5GbE LAN integrated in CPU via PHY Aquantia AQR112R
		1 x 2.5GbE LAN integrated in CPU via PHY Aquantia AQR112C
		1 x 2.5GbE LAN integrated in CPU via PHY Aquantia AQR112
Expansion slot	M.2	1 x 2.5GbE LAN via Marvell 88F8215 (PHY: Aquantia AQR112R)
		1 x 2.5GbE LAN via Marvell 88F8215 (PHY: Aquantia AQR112C)
		1 x 2.5GbE LAN via Marvell 88F8215 (PHY: Aquantia AQR112)
Storage	eMMC	1 x 4GB eMMC
External I/O	USB	USB 3.2 Gen 1 (5Gb/s)
Power and Mechanical	Reset Button	1 x Reset to factory default
	System Cooling	Active fan
Physical and Environmental	Storage Temperature	-20°C ~ 75°C (-4°F ~ 167°F)
	Operating Temperature	0°C ~ 40°C (32°F ~ 104°F)
	Relative Humidity	5% ~ 95% non-condensing, wet bulb: 27°C
	Dimensions (W x L x H) (mm)	166.4 x 145.7 x 34
OS and Certifications	Certification	CE/FCC/BSMI (BSMI safety)/VCCI, LVD
	Operating System	OpenWrt
	Forum	OpenWrt forum
	FAQ	OpenWr FAQ
Indicators	LED Indicators	Status/Power, WAN/LAN interface indicator
	System Warning	Beep

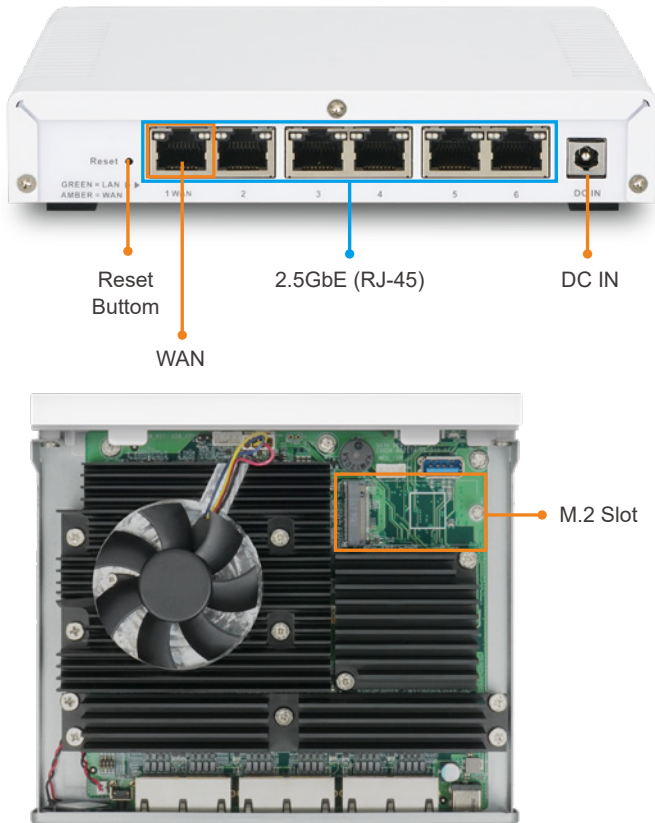
Ordering Information

Part No.	Description
PUZZLE-M901-CN1-R10	Desktop network appliance with Marvell CN9130 processor, six 2.5GbE, on-board 4GB eMMC, one M.2 slot, RoHS

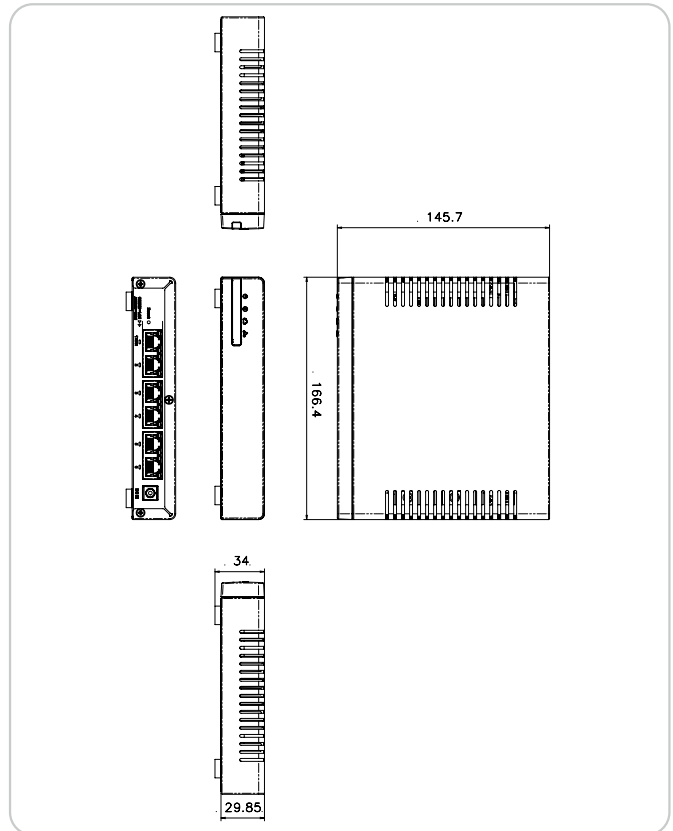
Packing List

	PUZZLE-M901-CN1-R10
Power cord	1
Power adapter	1

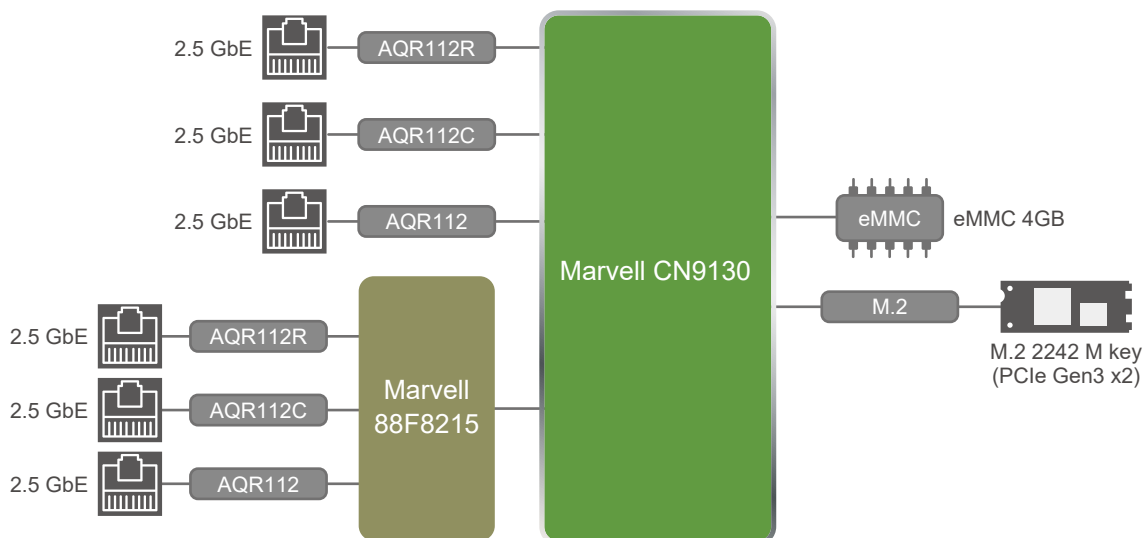
IO Interface



Dimensions (Unit: mm)



PUZZLE-M901 System Block Diagram



PUZZLE-M902

Desktop network appliance with Marvell CN9130 processor, six 2.5GbE and three 10 GbE, on-board 4GB eMMC, one M.2 slot



Features

- Marvell CN9130 quad-core ARMv8 cortex-A72 @ up to 2200 MHz
- Six 2.5 GbE RJ-45 ports & Three 10 GbE RJ-45 ports
- Onboard 4 GB eMMC, one console port (pin-header)
- LED indicators : Status/Power & WAN/LAN interface indicator
- Pre-installed OpenWrt
- Support M.2 2242/2280 M key (PCIe Gen 3 x1)

Specifications

		PUZZLE-M902
Form Factor	Desktop	Desktop
	CPU	Marvell® CN9130 quad-core ARMv8 Cortex-A72 @ up to 2200 MHz
Memory	System Memory	4GB
	Flash Memory	64GB
Networking	Ethernet IC	Aquantia AQR112R
		Aquantia AQR113
	Ethernet Port	2 x 2.5GbE LAN integrated in CPU via PHY Aquantia AQR112R
		4 x 2.5GbE LAN via Marvell 88F8215 (PHY: Aquantia AQR112R)
Ethernet Port	1 x 10GbE LAN integrated in CPU via PHY Aquantia AQR113	
	2 x 10GbE LAN via Marvell 88F8215 (PHY: Aquantia AQR113)	
Expansion slot	M.2	M.2 2242/2280 M key (PCIe Gen 3 x1)
Storage	eMMC	1 x 4GB eMMC
External I/O	USB	USB 3.2 Gen 1 (5Gb/s)
Power and Mechanical	Reset Button	to factory default
	System Cooling	1 system fan
Physical and Environmental	Storage Temperature	-20°C ~ 75°C (-4°F ~ 167°F)
	Operating Temperature	0°C ~ 40°C (32°F ~ 104°F)
	Relative Humidity	5% ~ 95% non-condensing, wet bulb: 27°C
	Dimensions (W x L x H) (mm)	226 x 140 x 50.5
OS and Certifications	Certification	CE/FCC/BSMI (BSMI safety)/VCCI, LVD
	Operating System	OpenWrt
	Forum	OpenWrt forum
	FAQ	OpenWr FAQ
Indicators	LED Indicators	Status/Power, WAN/LAN interface indicator
	System Warning	Beep

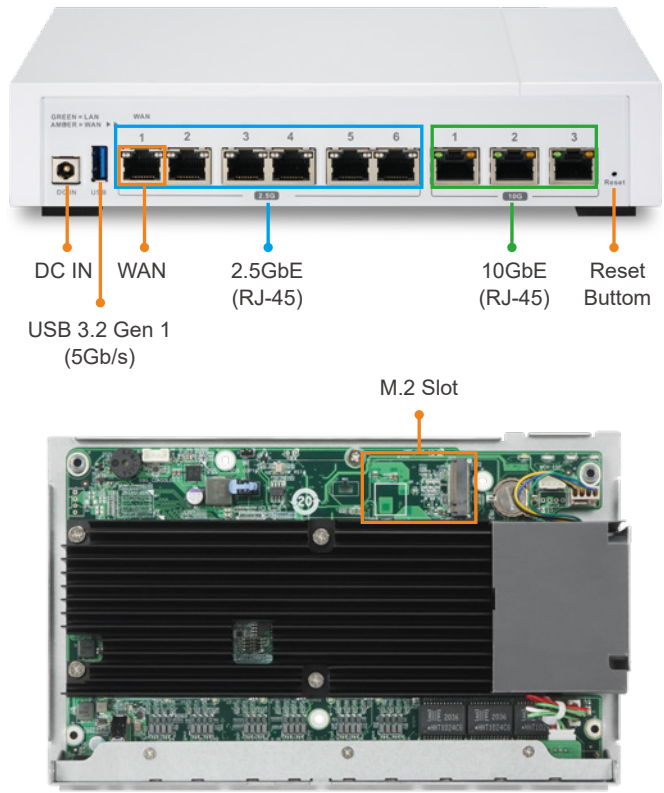
Ordering Information

Part No.	Description
PUZZLE-M902-CN1-R10	Desktop network appliance with Marvell CN9130 processor, six 2.5GbE and three 10 GbE, on-board 4GB eMMC, one M.2 slot, RoHS

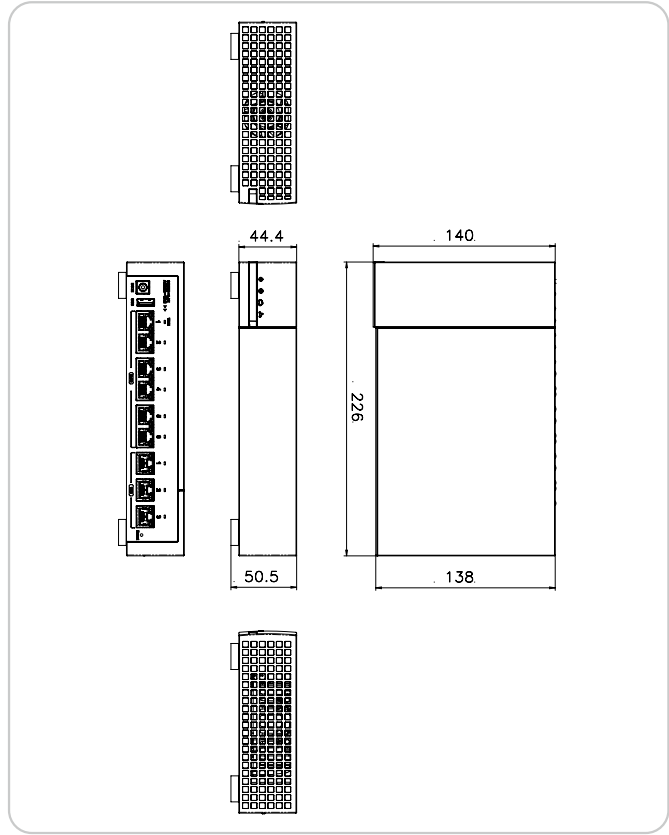
Packing List

	PUZZLE-M902-CN1-R10
Power cord	1
Power adapter	1

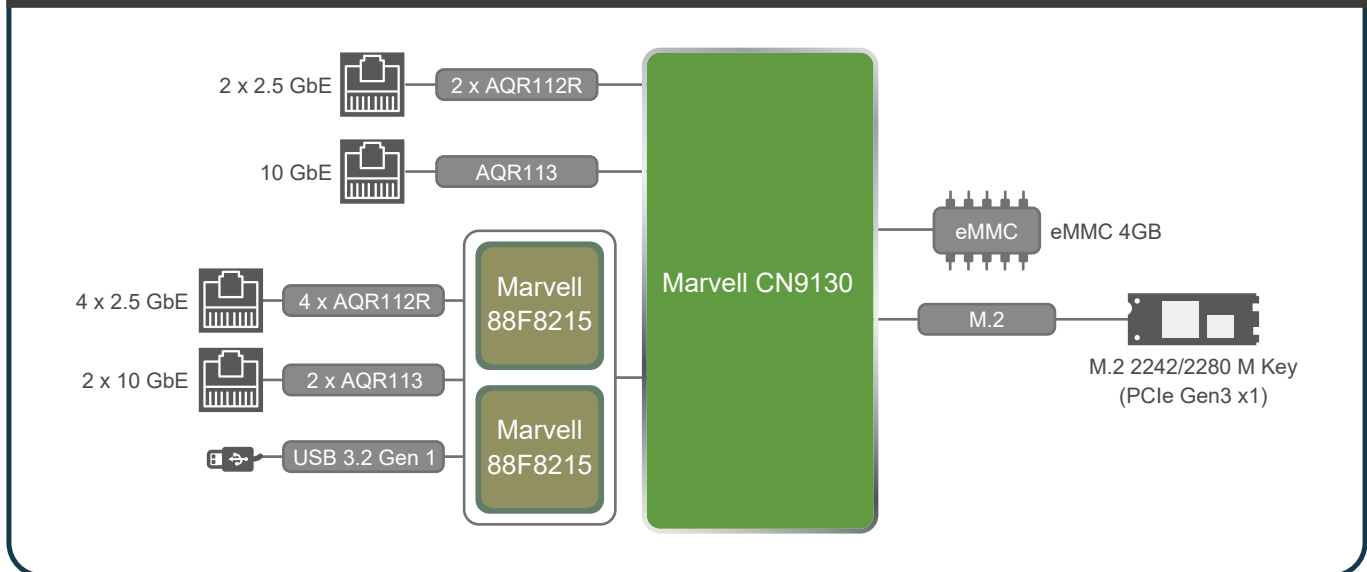
IO Interface



Dimensions (Unit: mm)



PUZZLE-M902 System Block Diagram



PUZZLE-M801

1U Rackmount Network Appliance with Marvell® ARMADA® 88F8040 High-Performance Quad-Core CPU



Features

- Marvell® ARMADA® 88F8040 high-performance quad-core System-on-Chip processor
- 1 x 288-pin DIMM, DDR4 2400 MHz, 16GB (ECC)
- 2 x 10GbE SFP+ via Marvell® ARMADA® 88F8040, 4 x GbE RJ-45 via Marvell 88E1512P
- 2 x USB 3.2 Gen 1 (5Gb/s), 1 x RJ-45 console, 1 x M.2 B key (SATA & USB 3.2 Gen 1 (5Gb/s)) with SIM holder
- 1 x PCIe x16 slot (PCIe x2 signal)

Specifications

		PUZZLE-M801
Platform	Form Factor	1U
	CPU	Marvell® ARMADA® 88F8040 high-performance quad-core System-on-Chip processor, 2.0GHz
	Chipset	Integrated in CPU
Memory	Memory Technology	DDR4 2400 MHz ECC/Non-ECC/RDIMM
	Memory Capacity	Up to 16GB
	Memory Socket	1 x 288-pin DIMM
Network and Security	Network Acceleration and Security Function	<ul style="list-style-type: none"> • Configurable packet processor • HW offload for networking • Acceleration engines for storage, networking and security • Public Key Processor (RSA/DH/ECC) • Secure Storage • Secure boot
	TPM	N/A
Networking	Ethernet IC	1 GbE PHY: Marvell 88E1512P 10GbE PHY: SoC Marvell 88F8040
	Ethernet Port	2 x 10 GbE SFP+, 4 x 1GbE RJ-45 LAN ports
	Network Module Slot	N/A
Expansion Slot	PCIe Slot	1 x PCIe x16 (FHHL) slot PCIe 3.0 x2 signal
	PCIe Mini Card Slot	N/A
	M.2	1 x M.2 B Key (3042/2260) (SATA 3.0 and USB 3.2 Gen 1) Support SATA SSD or 4G LTE module (USB signal)
Storage	Storage	1 x 2.5" SATA HDD/SSD bay support SATA 3.0 (6 Gbps)
	eMMC	32GB
	SD Card	N/A
External I/O	USB	2 x USB 3.2 Gen 1 (5Gb/s)
	Console	1 x RJ-45
Internal I/O	HDMI	N/A
	USB	2 x USB 2.0
Power and Mechanical	Power Switch	1 x Power switch
	Reset Button	1 x Reset button
	Power Input	100 V ~ 240 V
	Type/Watt	ATX Power 250W 90V~264V AC
	Processor Cooling	1 x Active CPU heatsink with fan
	System Cooling	2 x Cooling fans with smart fan
	Antenna Hole	1 x Antenna hole
Physical and Environmental	Storage Temperature	-20°C ~ 75°C (-4°F ~ 167°F)
	Operating Temperature	0°C ~ 40°C (32°F ~ 104°F)
	Operating Humidity	5% ~ 90% non-condensing
	Dimensions (W x L x H) (mm)	430 x 320 x 44.2
	Weight	5 kg
OS and Certifications	Certification	CE / FCC / RoHS
	Operating System	Linux Ubuntu 16.04.04
Indicators	LCM	N/A
	LED	1 x Power LED, 1 x Storage LED, 1 x Alert LED

Ordering Information

Part No.	Description
PUZZLE-M801-A1-R10	1U Rackmount Network Appliance with Marvell Armada 8040 processor, one DDR4 slot, four 1GbE, two 10GbE via SFP+, one PCIe expansion, RoHS
PUZZLE-M801-A1/8G-R10	1U Rackmount Network Appliance with Marvell Armada 8040 processor, 8GB DDR4, one 256GB SSD, four 1GbE, two 10GbE via SFP+, one PCIe expansion, RoHS

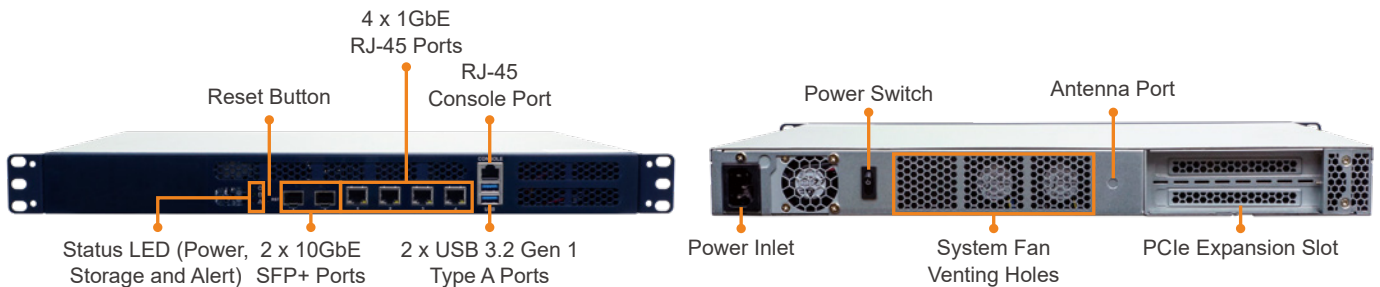
Packing List

	PUZZLE-M801-A1	PUZZLE-M801-A1/8G
Power cord	1	1
Rack mounting ears	2	2
Screws for rack mounting ears	6	6
USB to console cable	Option	1
RS-232 to console cable	1	Option

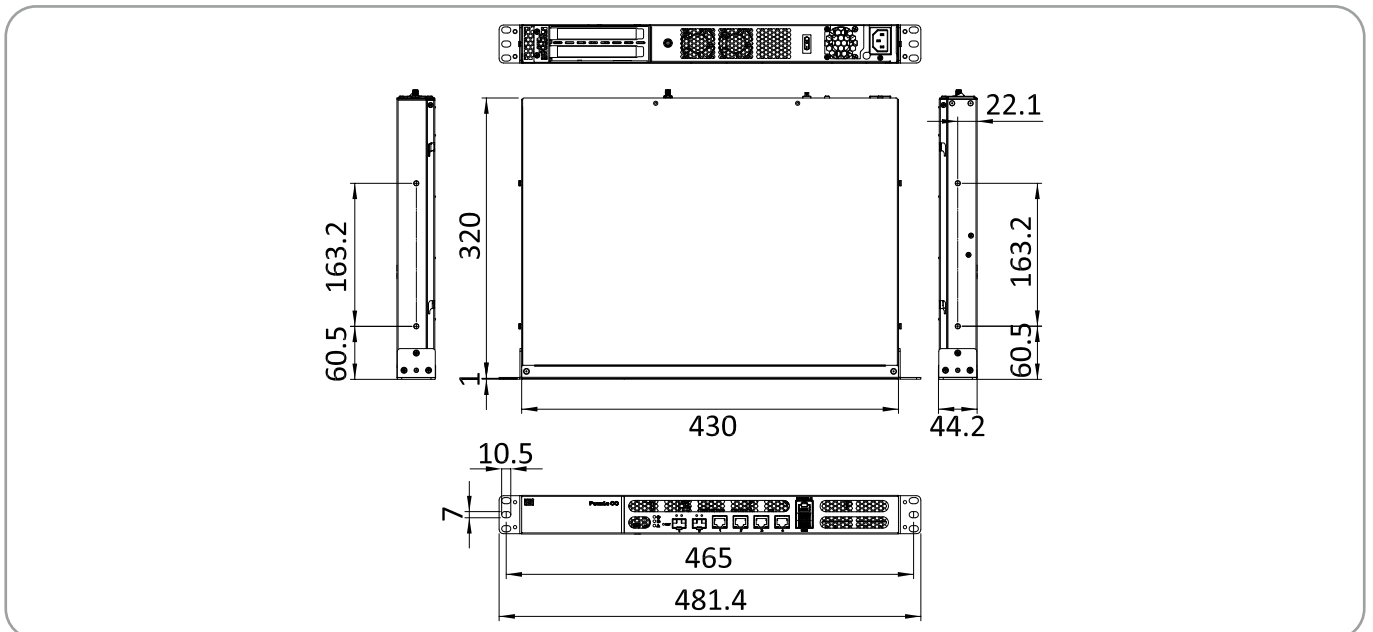
Options

Item	Part No.	Description
USB to console cable	32013-004000-100-RS	ROUND CABLE; LAN CABLE; FTDI Console Cable; 2; 1800MM; (A)USB A TYPE 4P MALE+PCB:FTDI_FT232RL; (B)RJ-45 8P8C; RoHS
RS-232 to console cable	32005-005100-100-RS	ROUND CABLE; RS-232/422/485; PUZZLE RS-232 Cable; 2; 500MM; 24AWG; (A) D-SUB 9P MALE+#4-40 Screw; (B)RJ-45 PLUG 8P8C; ONE PCS PKG; TC&C; RoHS

IO Interface



Dimensions (Unit: mm)

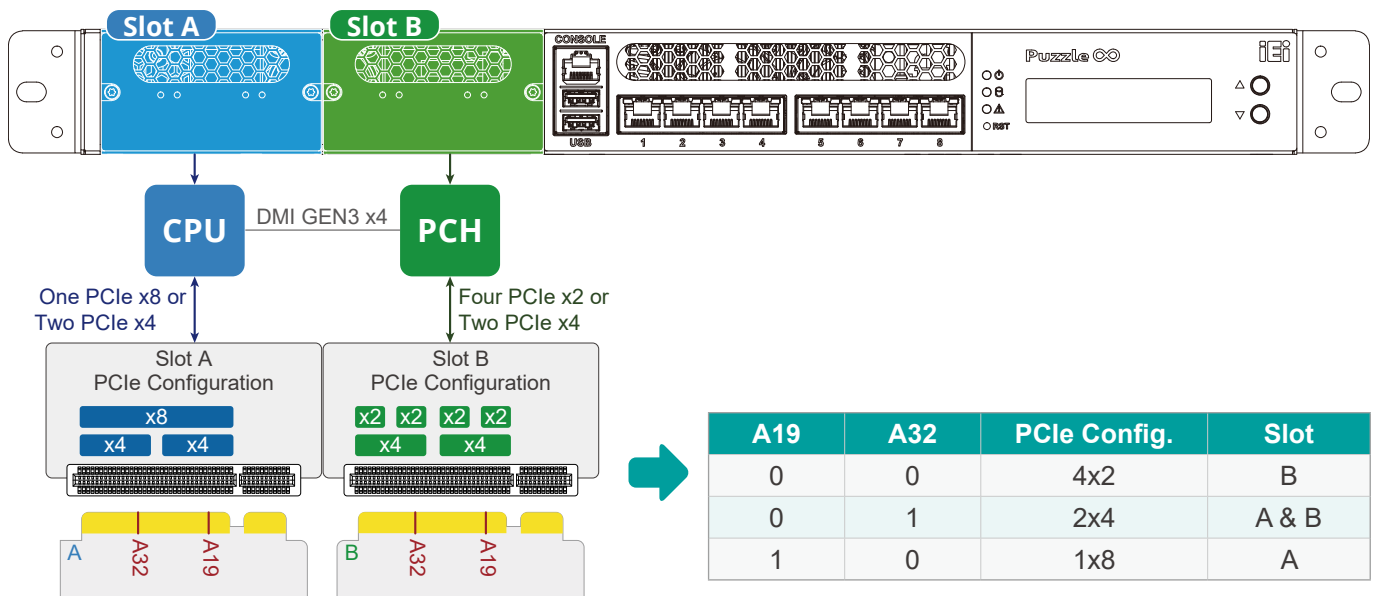


Diverse PuLM Network Modules



Dual BIOS

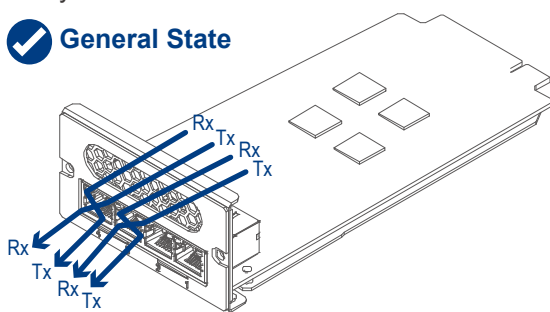
Install the IEI PuLM networking module into the slot of the PUZZLE series. The Slot A supports 8 lanes from CPU (one PCIe x8 or two PCIe x4); the Slot B supports two PCIe x4 or four PCIe x2 from PCH.



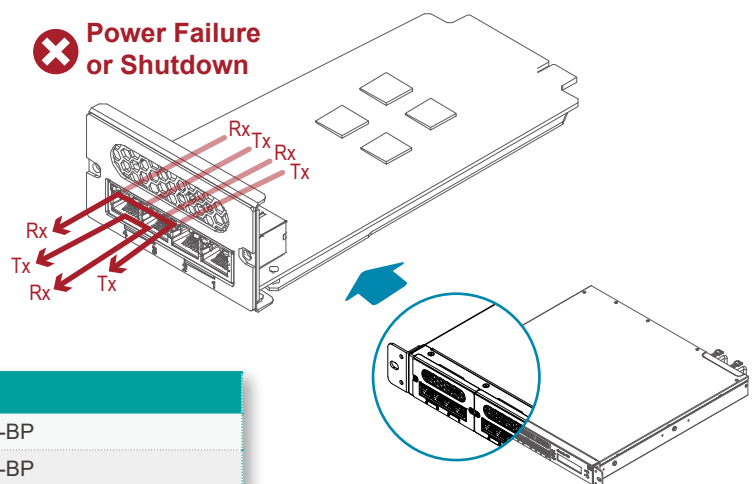
Uninterrupted Data Transmission - Bypass Function

With bypass function, the network connected to this device can be connected to each other when the network security device fails.

General State



Power Failure or Shutdown



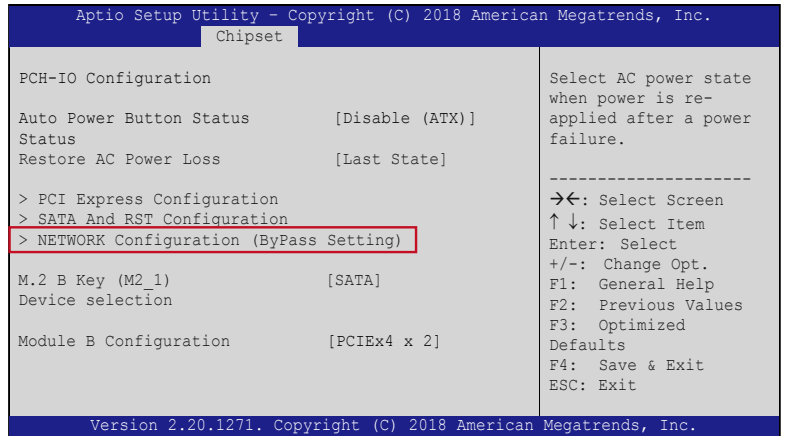
Product
PuLM-1G4T-I350-BP
PuLM-1G8T-I350-BP
PuLM-10G4SF-XL710-BP

Bypass Configuration in BIOS

Some PuIM modules support bypass. To enable/disable bypass function, configure the BIOS menu of the PUZZLE series as described below.

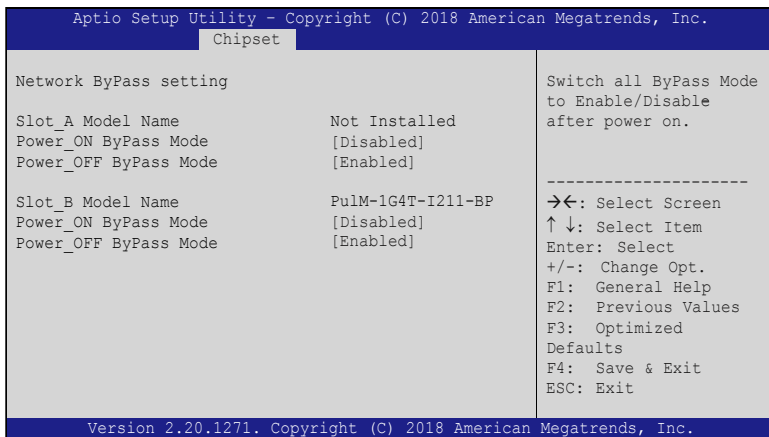
Step 1

Go to Chipset → PCH - IO Configuration → NETWORK Configuration (ByPass Setting)



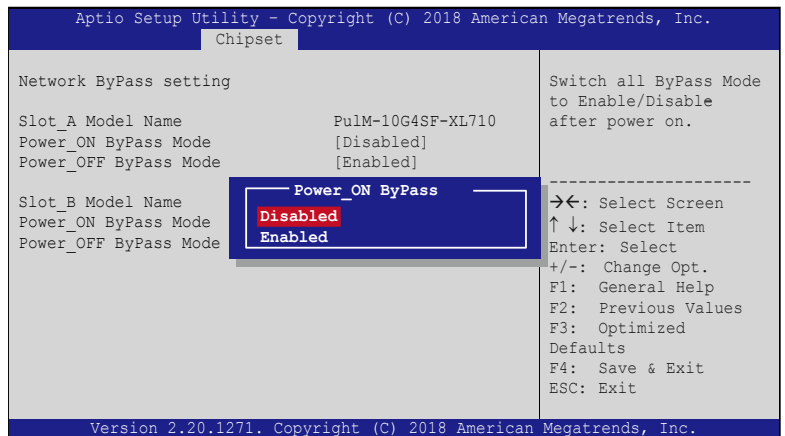
Step 2

The Network ByPass Setting menu appears. The model names of the PuIM module installed in the PUZZLE series are shown.



Step 3

Configure the Power_ON ByPass Mode and the Power_OFF ByPass Mode BIOS options to enable/disable bypass function of the installed PuIM modules.



PUZZLE System	Power_ON Bypass Mode		Power_OFF Bypass Mode	
	Disabled	Enabled	Disabled	Enabled
BIOS Setting	Disabled	Enabled	Disabled	Enabled
PuIM Bypass Modules	Close	Open	Close	Open

Step 4

Press F4 to save and exit the BIOS menu. The PUZZLE series will reboot with the new settings.

2U PuIM Series Selection Guide

	PuIM-100G2SF-E810	PuIM-100G2SF-CX6	PuIM-10G4SF/T-XL710
Chipset	Intel® E810	Mellanox ConnectX-6 Dx	Intel® XL710
Bypass	No	No	No
Host Interface	PCIe 4.0 x8	PCIe 4.0 x16	PCIe 3.0 x8
LAN Interface	QSFP28	2 x QSFP28	SFP+
Speed	1GbE / 10GbE / 25GbE / 50GbE / 100GbE	1/10/25/40/50/100 Gb/s	1GbE/10GbE
LAN Port Number	2	2	4
Storage Temp.	-20°C ~ 75°C (-4°F ~ 167°F)	-20°C ~ 75°C (-4°F ~ 167°F)	-20°C ~ 75°C (-4°F ~ 167°F)
Operating Temp.	0°C ~ 40°C (32°F ~ 104°F)	0°C ~ 40°C	0°C ~ 40°C (32°F ~ 104°F)
Humidity	5% ~ 90% RH, non-condensing	5% ~ 90% RH, non-condensing	5% ~ 90% RH, non-condensing
Dimensions (mm)	165.50 (L) x 77.8 (W) x 44.2 (H)	162.2 (L) x 74 (W) x 41.85 (H)	165.50 (L) x 77.8 (W) x 44.2 (H)
Certification	RoHS	CE / FCC / RoHS	CE / FCC / RoHS

	PuIM-10G4SF/T-XL710-BP	PuIM-10G4SF/T-MLX	PuIM-1G4SF/T-I350	PuIM-1G8SF/T-I350
Chipset	Intel® XL710	Mellanox ConnectX-4	Intel® I350-AM4	Intel® I350-AM4
Bypass	Yes, two pairs	No	No	No
Host Interface	PCIe 3.0 x8	2 PCIe 3.0 x4	2 PCIe 2.0 x4	2 PCIe 2.0 x4
LAN Interface	SFP+	SFP+	SFP	SFP
Speed	1GbE/10GbE	1GbE/10GbE	GbE	GbE
LAN Port Number	4	4	4	8
Storage Temp.	-20°C ~ 75°C (-4°F ~ 167°F)			
Operating Temp.	0°C ~ 40°C (32°F ~ 104°F)			
Humidity	5% ~ 90% RH, non-condensing			
Dimensions (mm)	165.50 (L) x 77.8 (W) x 44.2 (H)			
Certification	RoHS	CE / FCC / RoHS	RoHS	RoHS

	PuIM-1G4T/T-I350	PuIM-1G4T/T-I350-BP	PuIM-1G8T/T-I350	PuIM-1G8T/T-I350-BP
Chipset	Intel® I350-AM4	Intel® I350-AM4	Intel® I350-AM4	Intel® I350-AM4
Bypass	No	Yes, two pairs	No	Yes, four pairs
Host Interface	2 PCIe 2.0 x4	2 PCIe 2.0 x4	2 PCIe 2.0 x4	2 PCIe 2.0 x4
LAN Interface	RJ-45	RJ-45	RJ-45	RJ-45
Speed	GbE	GbE	GbE	GbE
LAN Port Number	4	4	8	8
Storage Temp.	-20°C ~ 75°C (-4°F ~ 167°F)			
Operating Temp.	0°C ~ 40°C (32°F ~ 104°F)			
Humidity	5% ~ 90% RH, non-condensing			
Dimensions (mm)	165.50 (L) x 77.8 (W) x 44.2 (H)			
Certification	CE / FCC / RoHS	CE / FCC / RoHS	CE / FCC / RoHS	CE / FCC / RoHS

1U PuIM Series Selection Guide

	PuIM-10G4SF-XL710	PuIM-10G4SF-XL710-BP
Chipset	Intel® XL710	Intel® XL710
Bypass	No	Yes, two pairs
Host Interface	PCIe 3.0 x8	PCIe 3.0 x8
LAN Interface	SFP+	SFP+
Speed	1GbE/10GbE	1GbE/10GbE
LAN Port Number	4	4
Storage Temp.	-20°C ~ 75°C (-4°F ~ 167°F)	
Operating Temp.	0°C ~ 40°C (32°F ~ 104°F)	
Humidity	5% ~ 90% RH, non-condensing	
Dimensions (mm)	165.50 (L) x 77.8 (W) x 44.2 (H)	
Certification	CE / FCC / RoHS	RoHS

	PuIM-10G4T-AQC107	PuIM-1G4SF-I350	PuIM-1G8SF-I350
Chipset	Aquantia AQC107	Intel® I350-AM4	Intel® I350-AM4
Bypass	No	No	No
Host Interface	4 PCIe 3.0 x2	2 PCIe 2.0 x4	2 PCIe 2.0 x4
LAN Interface	RJ-45	SFP	SFP
Speed	10GBASE-T/ 5GBASE-T/ 2.5GBASE-T/ 1000BASE-T/ 100BASE-TX	GbE	GbE
LAN Port Number	2	4	8
Storage Temp.	-20°C ~ 75°C (-4°F ~ 167°F)		
Operating Temp.	0°C ~ 40°C (32°F ~ 104°F)		
Humidity	5% ~ 90% RH, non-condensing		
Dimensions (mm)	165.50 (L) x 77.8 (W) x 44.2 (H)		
Certification	RoHS	RoHS	RoHS

	PuIM-1G4T-I350	PuIM-1G4T-I350-BP	PuIM-1G8T-I350	PuIM-1G8T-I350-BP	PuIM-1G8T-BCM5720
Chipset	Intel® I350-AM4	Intel® I350-AM4	Intel® I350-AM4	Intel® I350-AM4	Broadcom BCM5720
Bypass	No	Yes, two pairs	No	Yes, four pairs	No
Host Interface	2 PCIe 2.0 x4	2 PCIe 2.0 x4	2 PCIe 2.0 x4	2 PCIe 2.0 x4	4 PCIe 2.0 x2
LAN Interface	RJ-45	RJ-45	RJ-45	RJ-45	RJ-45
Speed	GbE	GbE	GbE	GbE	GbE
LAN Port Number	4	4	8	8	8
Storage Temp.	-20°C ~ 75°C (-4°F ~ 167°F)				
Operating Temp.	0°C ~ 40°C (32°F ~ 104°F)				
Humidity	5% ~ 90% RH, non-condensing				
Dimensions (mm)	165.50 (L) x 77.8 (W) x 44.2 (H)				
Certification	CE / FCC / RoHS	CE / FCC / RoHS	CE / FCC / RoHS	CE / FCC / RoHS	RoHS

	PuIM-2P1M	PuIM-M2-2S
Interface	1 PCIe 3.0 x4	2 PCIe 3.0 x4
Onboard IC	ASM1812 (PCIe Gen 2 x4) FL1100EX (PCI-E To USB 3.0 (4 Port))	N/A
M.2	1 x 2230/2242 M.2 B key (PCIe 2.0, USB 3.2 Gen 1) with SIM card slot	2 x M key 2260/2280/22110 (PCIe 3.0 x4/NVMe)
PCIe	2 x PCIe Mini (PCIe 2.0, USB 2.0) with SIM card slot	N/A
Storage Temp.	-20°C ~ 75°C (-4°F ~ 167°F)	
Operating Temp.	0°C ~ 40°C (32°F ~ 104°F)	
Humidity	5% ~ 90% RH, non-condensing	
Dimensions (mm)	165.50 (L) x 77.8 (W) x 44.2 (H)	
Certification	RoHS	RoHS

PuIM-100G2SF-E810

Intel® Ethernet Controller EZE810CAM2 based Network Interface Card with 2 x QSFP28 by PCIe 4.0 x8 interface



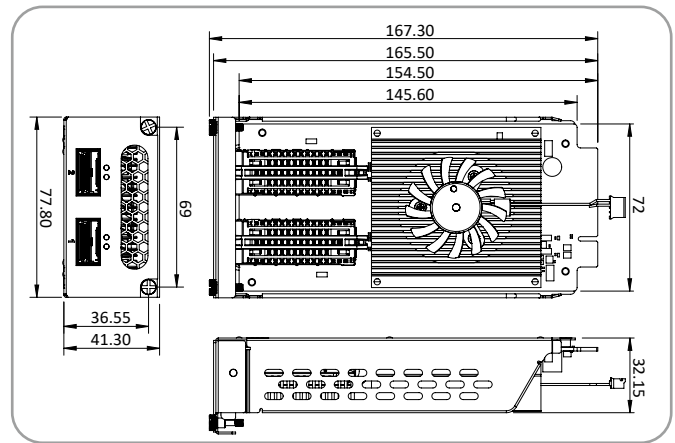
Features

- 1 x Intel® E810 Ethernet controller
- 2 ports 100GbE QSFP28 connector
- PCIe 4.0 x8 interface
- RoHS compliant

Specifications

	PuIM-100G2SF-E810
Form Factor	IEI Networking Module - PuIM
NIC	Intel® E810
LAN Bypass	N/A
LAN Interface	QSFP28
Speed	100GbE
Ports	2
Host Interface	PCIe 4.0 x8
Storage Temp.	-20°C ~ 75°C (-4°F ~ 167°F)
Operating Temp.	0°C ~ 40°C (32°F ~ 104°F)
Humidity	5% ~ 90% RH, Non-condensing
Dimensions (mm)	165.50 (L) x 77.8 (W) x 44.2 (H)
Compliance	RoHS

Dimensions (Unit: mm)



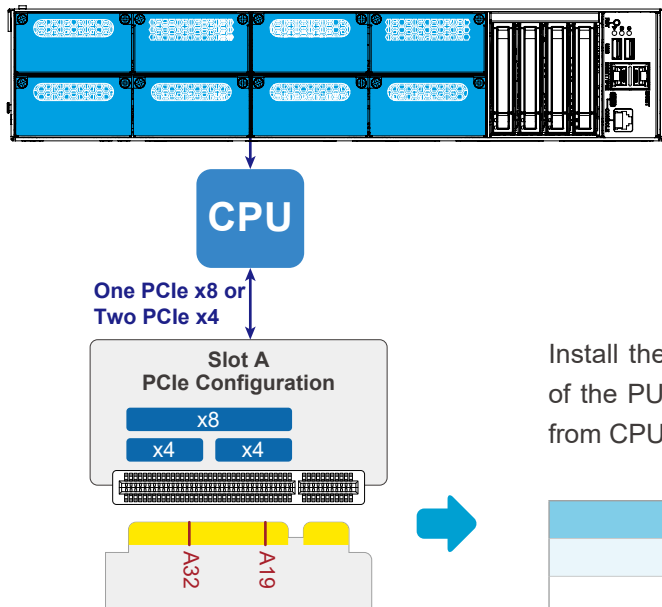
Ordering Information

Part No.	Description
PuIM-100G2SF-E810-R10	Intel® Ethernet Controller EZE810CAM2 based Network Interface Card with 2 x QSFP28 by PCIe 4.0 x8 interface

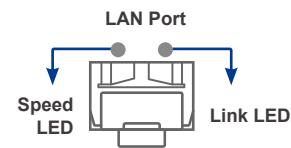
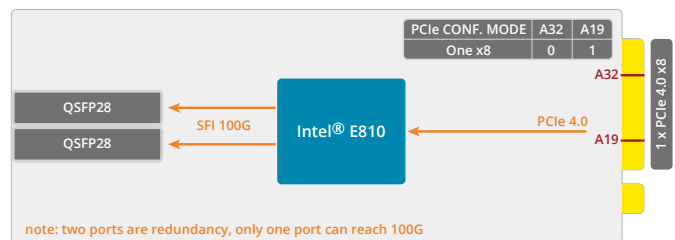
Packing List

1 x PuIM-100G2SF-E810 module	1 x QIG
------------------------------	---------

Hardware Installation



Block Diagram



LED	State	Description
Link (Right)	Yellow	Active
	Green	100Gbps data rate
Speed (Left)	Orange	other data rate

Install the IEI PuIM-100G2SF-E810 networking module into the slot of the PUZZLE-IN005. All slots support 8 lanes of PCIe gen4 signal from CPU (one PCIe x8 or two PCIe x4).

A19	A32	PCIe Config.
0	1	2x4
1	0	1x8

PuIM-100G2SF-CX6



Specifications

	PuIM-100G2SF-CX6
Form Factor	IEI Networking Module - PuIM
NIC	ConnectX-6 Dx
LAN Bypass	N/A
LAN Interface	2 x QSFP28
LAN Speed	1/10/25/40/50/100 Gb/s
Host Interface	PCIe 4.0 x16
Operating Temp	0°C ~ 40°C
Humidity	5% ~ 90% RH, Non-condensing
Compliance	CE, FCC, RoHS
Support Device	PUZZLE-9030

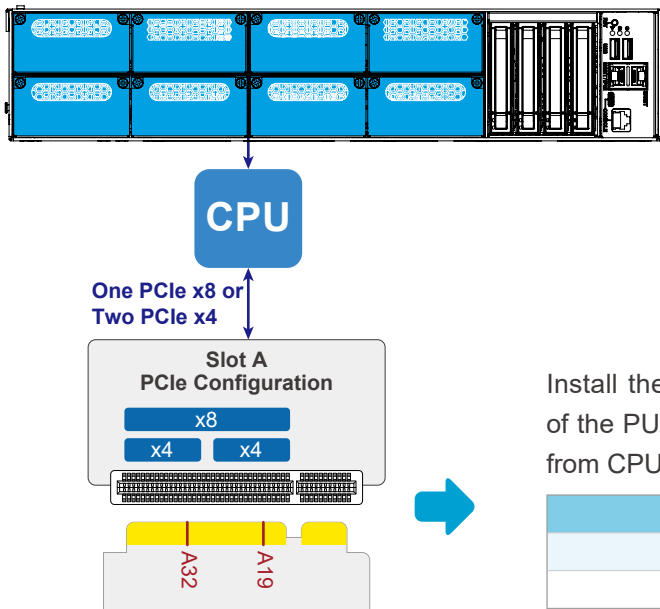
Ordering Information

Part No.	Description
PuIM-100G2SF-CX6	ConnectX-6 Dx dual 100GbE network IC support 1/10/25/40/50/100 Gb/s, Ethernet with Host Interface > PCIe Gen 3.0/4.0 x16 Cyber Security, Inline hardware IPsec encryption & decryption, Inline hardware TLS encryption & decryption, Data-at-rest AES-XTS encryption & decryption, Platform security : 1. Hardware root-of-trust, 2. Secure firmware update, Stateless Offloads, TCP/UDP/IP stateless offload > LSO, LRO, checksum offload, Advanced Timing & Synchronization, Storage Acceleration, RDMA over Converged Ethernet (RoCE)

Packing List

PuIM-100G2SF-CX6	2
------------------	---

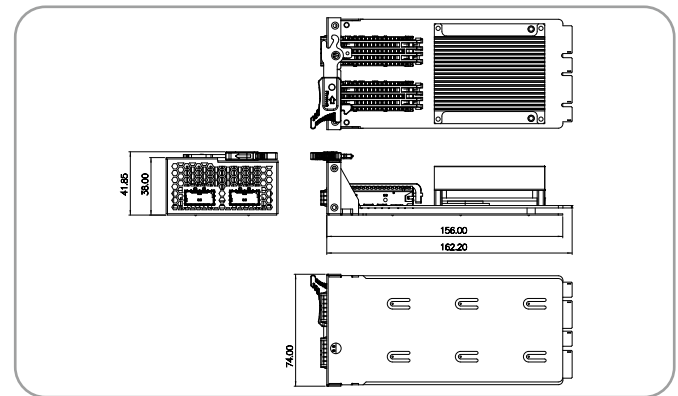
Hardware Installation



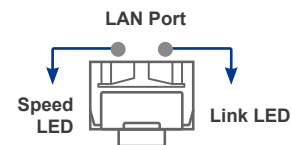
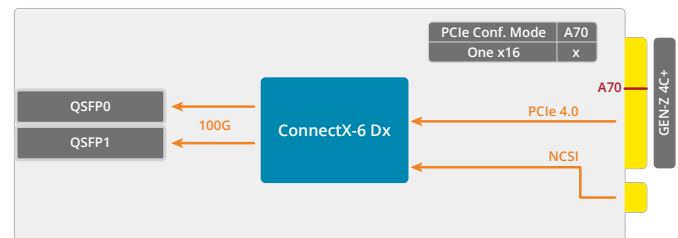
Features

- ConnectX-6 Dx dual 100GbE network IC supports 1/10/25/40/50/100 Gb/s
- Ethernet with host interface: PCIe Gen 3.0/4.0 x16 cyber security
- Inline hardware IPsec encryption & decryption
- Inline hardware TLS encryption & decryption
- Data-at-rest AES-XTS encryption & decryption
- Platform security: 1. Hardware root-of-trust, 2. Secure firmware update
- Stateless offloads
- TCP/UDP/IP stateless offload: LSO, LRO, checksum offload
- Advanced timing & synchronization
- Storage accelerations
- RDMA over Converged Ethernet (RoCE)

Dimensions (Unit: mm)



Block Diagram



LED	State	Description
Link (Right)	Yellow	Active
	Green	100Gbps data rate
Speed (Left)	Orange	Other data rate

Install the IEI PuIM-100G2SF-CX6 networking module into the slot of the PUZZLE-IN005. All slots support 8 lanes of PCIe Gen 4 signal from CPU (one PCIe x8 or two PCIe x4).

A19	A32	PCIe Config.
0	1	2x4
1	0	1x8

PuIM-10G4SF-XL710

Intel® Ethernet Controller XL710-BM1 based Network Interface Card with 4 x SFP+ by PCIe 3.0 x8 interface



Features

- 1 x Intel® Ethernet Controller XL710-BM1
- 4 x 10 GbE SFP+ connectors
- PCIe 3.0 x8
- RoHS / CE / FCC compliant

Specifications

Model Name	PuIM-10G4SF-XL710	PuIM-10G4SF/T-XL710
Form Factor	IEI Networking Module	
NIC	Intel® XL710-BM1 Ethernet Controller	
LAN Interface	SFP+	
Speed	1GbE/ 10GbE	
Ports	4	
Host Interface	PCIe 3.0 x8	
Storage Temp.	-20°C ~ 75°C (-4°F ~ 167°F)	
Operating Temp.	0°C ~ 40°C (32°F ~ 104°F)	
Humidity	5% ~ 90% RH, Non-condensing	
Dimensions (mm)	165.50 (L) x 77.8 (W) x 44.2 (H)	
Compliance	CE / FCC / RoHS	
Support Device	PUZZLE-IN001 PUZZLE-IN001A PUZZLE-IN004	PUZZLE-IN005

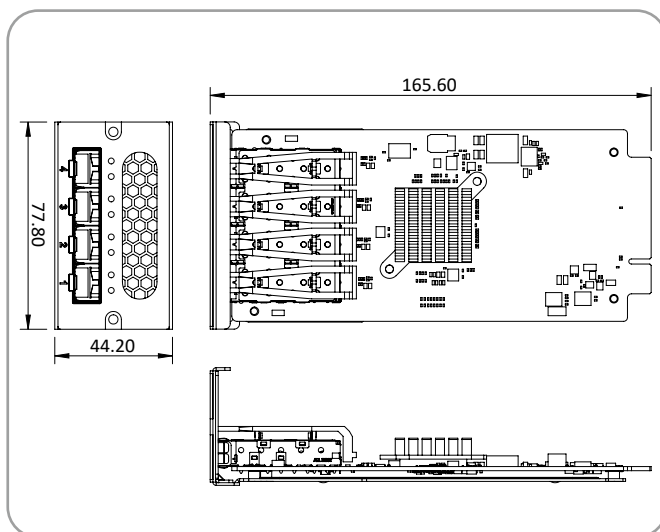
Ordering Information

Part No.	Description
PuIM-10G4SF-XL710-R10	Intel® Ethernet Controller XL710-BM1 based Network Interface Card with 4 x SFP+ by 1 PCIe 3.0 x8 interface, RoHS
PuIM-10G4SF/T-XL710-R10	Intel® Ethernet Controller XL710-BM1 based Network Interface Card with 4 x SFP+ by 1 PCIe 3.0 x8 interface, RoHS

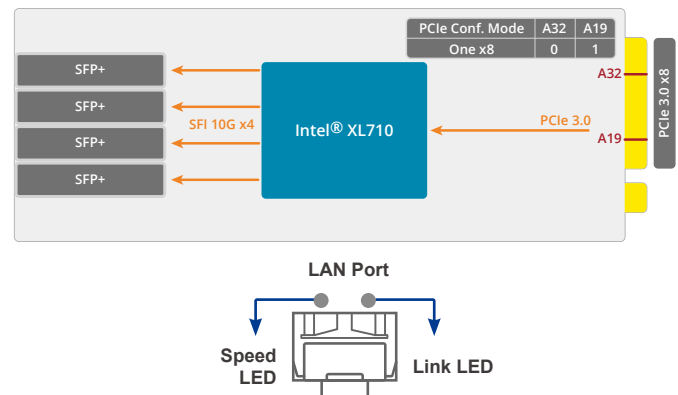
Packing List

Part No.	L-shaped T10 PuIM Wrench	Torx Screws	QIG
PuIM-10G4SF-XL710-R10	1	2	1
PuIM-10G4SF/T-XL710-R10	N/A	N/A	1

Dimensions (Unit: mm)



Block Diagram



LED	State	Description
Link (Right)	Yellow	Active
Speed (Left)	Green	10 Gbps data rate

PuIM-10G4SF-XL710-BP

Intel® Ethernet Controller XL710-BM1 based Network Interface Card with four 10GbE Fiber ports, two pair Bypass



Features

- 1 x Intel® Ethernet Controller XL710-BM1
- 4 x Fiber LC (SR or LR) interface
- PCIe 3.0 x8
- Two LAN bypass model available

Specifications

Model Name	PuIM-10G4SF-XL710-BP	PuIM-10G4SF/T-XL710-BP
Form Factor	IEI Networking Module	
NIC	Intel® XL710-BM1 Ethernet Controller	
Bypass	Yes, two pairs	
LAN Interface	10 GbE fiber LC (SR & LR)	
Speed	10GbE	
Ports	4	
Host Interface	PCIe 3.0 x8	
Storage Temp.	-20°C ~ 75°C (-4°F ~ 167°F)	
Operating Temp.	0°C ~ 40°C (32°F ~ 104°F)	
Humidity	5% ~ 90% RH, Non-condensing	
Dimensions (mm)	165.50 (L) x 77.8 (W) x 44.2 (H)	
Compliance	CE / FCC / RoHS	
Support Device	PUZZLE-IN001 PUZZLE-IN001A PUZZLE-IN004	PUZZLE-IN005

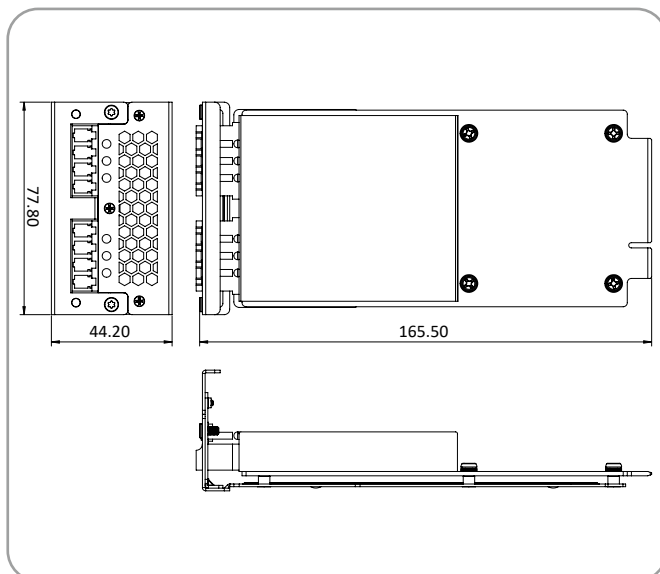
Ordering Information

Part No.	Description
PuIM-10G4SF-XL710-BP-R10	Intel® Ethernet Controller XL710-BM1 based Network Interface Card with four 10GbE Fiber ports, two pair Bypass, RoHS.
PuIM-10G4SF/T-XL710-BP-R10	Intel® Ethernet Controller XL710-BM1 based Network Interface Card with four 10GbE Fiber ports, two pair Bypass, RoHS.

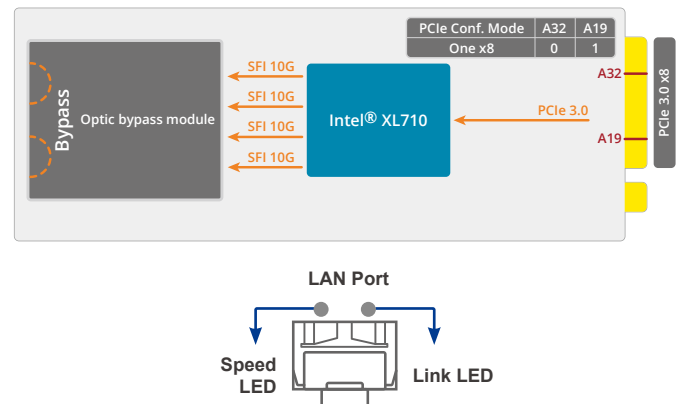
Packing List

Part No.	L-shaped T10 PuIM Wrench	Torx Screws	QIG
PuIM-10G4SF-XL710-BP-R10	1	2	1
PuIM-10G4SF/T-XL710-BP-R10	N/A	N/A	1

Dimensions (Unit: mm)



Block Diagram



LED	State	Description
Link (Right)	Yellow	Active
Speed (Left)	Green	10 Gbps data rate

PuIM-10G4T-AQC107

Aquantia AQC107 based Network Interface Card with 4 x 10GBASE-T by 4 PCIe 3.0 x2 Interface



Features

- 4 x Aquantia AQC107
- 4 x 10GBASE-T connectors
- 4 PCIe 3.0 x2
- RoHS compliant

Specifications

Model Name	PuIM-10G4T-AQC107	PuIM-10G4T/T-AQC107
Form Factor	IEI Networking Module	
NIC	Aquantia AQC107	
LAN Interface	10GBASE-T (RJ-45)	
Speed	10GBASE-T/ 5GBASE-T/ 2.5GBASE-T/ 1000BASE-T/ 100BASE-TX	
Ports	4	
Host Interface	4 PCIe 3.0 x2	
Storage Temp.	-20°C ~ 75°C (-4°F ~ 167°F)	
Operating Temp.	0°C ~ 40°C (32°F ~ 104°F)	
Humidity	5% ~ 90% RH, Non-condensing	
Dimensions (mm)	165.50 (L) x 77.8 (W) x 44.2 (H)	
Compliance	RoHS	
Support Device	PUZZLE-IN001 PUZZLE-IN001A PUZZLE-IN004	PUZZLE-IN005

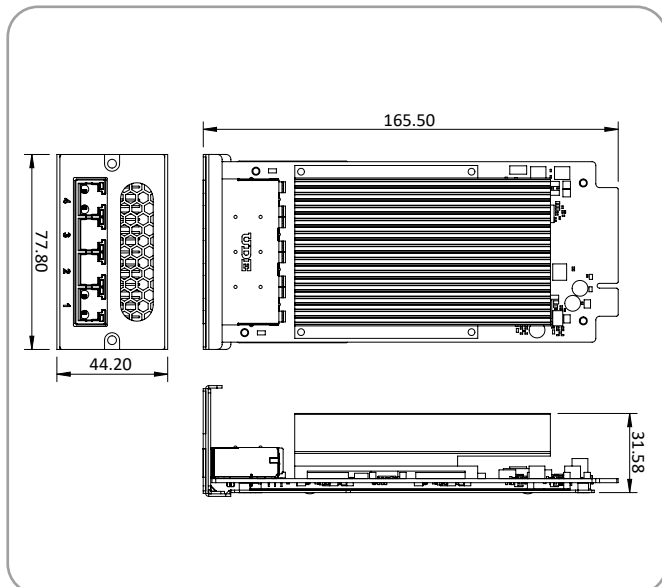
Ordering Information

Part No.	Description
PuIM-10G4T-AQC107-R10	Aquantia AQC107 based Network Interface Card with 4 x 10GBASE-T by 4 PCIe 3.0 x2 Interface, RoHS
PuIM-10G4T/T-AQC107-R10	Aquantia AQC107 based Network Interface Card with 4 x 10GBASE-T by 4 PCIe 3.0 x2 Interface, RoHS

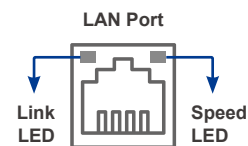
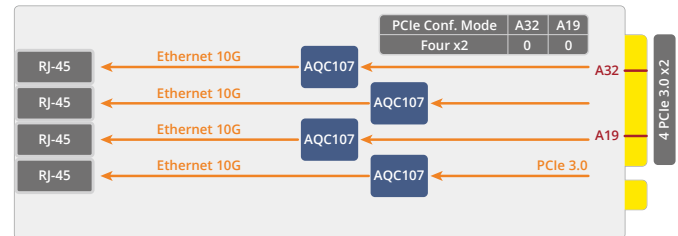
Packing List

Part No.	L-shaped T10 PuIM Wrench	Torx Screws	QIG
PuIM-10G4T-AQC107-R10	1	2	1
PuIM-10G4T/T-AQC107-R10	N/A	N/A	1

Dimensions (Unit: mm)



Block Diagram



LED	State	Description
Link (Left)	Yellow	Active
	Green	10 Gbps data rate
Speed (Right)	Orange	5 Gbps/1 Gbps/ 100 Mbps data rate
	Green	10 Gbps data rate

PuIM-1G4SF-I350

Intel® Ethernet Controller I350-AM4 based Network Interface Card with 4 x SFP by 2 PCIe 2.0 x4 interface



Features

- 1 x Intel® Ethernet Controller I350-AM4
- 4 x GbE SFP connectors
- 2 PCIe 2.0 x4
- RoHS compliant

Specifications

Model Name	PuIM-1G4SF-I350	PuIM-1G4SF/T-I350
Form Factor	IEI Networking Module	
NIC	Intel® Ethernet Controller I350-AM4	
LAN Interface	SFP	
Speed	1GbE	
Ports	4	
Host Interface	2 PCIe 2.0 x4	
Storage Temp.	-20°C ~ 75°C (-4°F ~ 167°F)	
Operating Temp.	0°C ~ 40°C (32°F ~ 104°F)	
Humidity	5% ~ 90% RH, Non-condensing	
Dimensions (mm)	165.50 (L) x 77.8 (W) x 44.2 (H)	
Compliance	RoHS	
Support Device	PUZZLE-IN001 PUZZLE-IN001A PUZZLE-IN004	PUZZLE-IN005

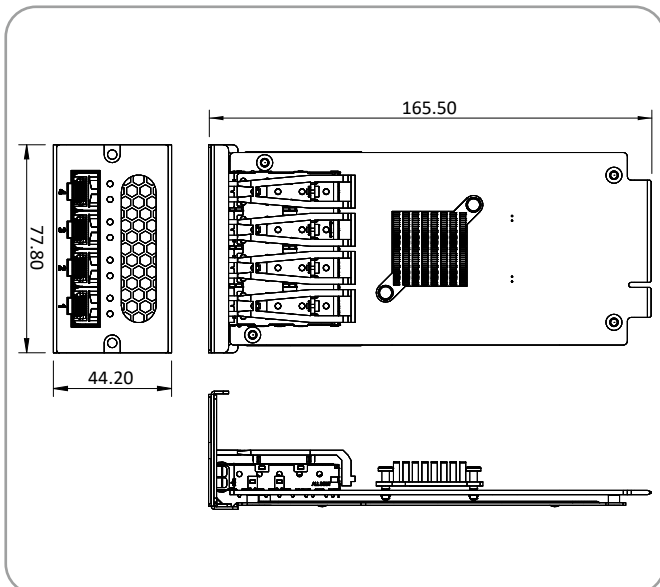
Ordering Information

Part No.	Description
PuIM-1G4SF-I350-R10	Intel® Ethernet Controller I350-AM4 based Network Interface Card with 4 x SFP by 2 PCIe 2.0 x4 interface, RoHS
PuIM-1G4SF/T-I350-R10	Intel® Ethernet Controller I350-AM4 based Network Interface Card with 4 x SFP by 2 PCIe 2.0 x4 interface, RoHS

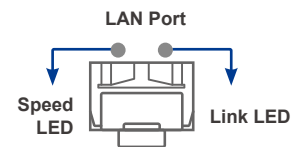
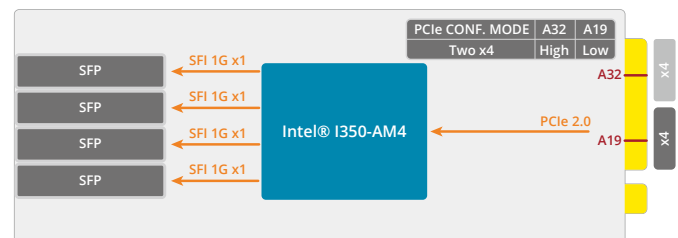
Packing List

Part No.	L-shaped T10 PuIM Wrench	Torx Screws	QIG
PuIM-1G4SF-I350-R10	1	2	1
PuIM-1G4SF/T-I350-R10	N/A	N/A	1

Dimensions (Unit: mm)



Block Diagram



LED	State	Description
Link (Right)	Yellow ■	Active
Speed (Left)	Green ■	1 Gbps data rate

PuIM-1G8SF-I350

Intel® Ethernet Controller I350-AM4 based Network Interface Card with 8 x SFP by 2 PCIe 2.0 x4 interface



Features

- 2 x Intel® Ethernet Controller I350-AM4
- 8 x GbE SFP connectors
- 2 PCIe 2.0 x4
- RoHS compliant

Specifications

Model Name	PuIM-1G8SF-I350	PuIM-1G8SF/T-I350
Form Factor	IEI Networking Module	
NIC	Intel® Ethernet Controller I350-AM4	
LAN Interface	SFP	
Speed	1GbE	
Ports	8	
Host Interface	2 PCIe 2.0 x4	
Storage Temp.	-20°C ~ 75°C (-4°F ~ 167°F)	
Operating Temp.	0°C ~ 40°C (32°F ~ 104°F)	
Humidity	5% ~ 90% RH, Non-condensing	
Dimensions (mm)	165.50 (L) x 77.8 (W) x 44.2 (H)	
Compliance	RoHS	
Support Device	PUZZLE-IN001 PUZZLE-IN001A PUZZLE-IN004	PUZZLE-IN005

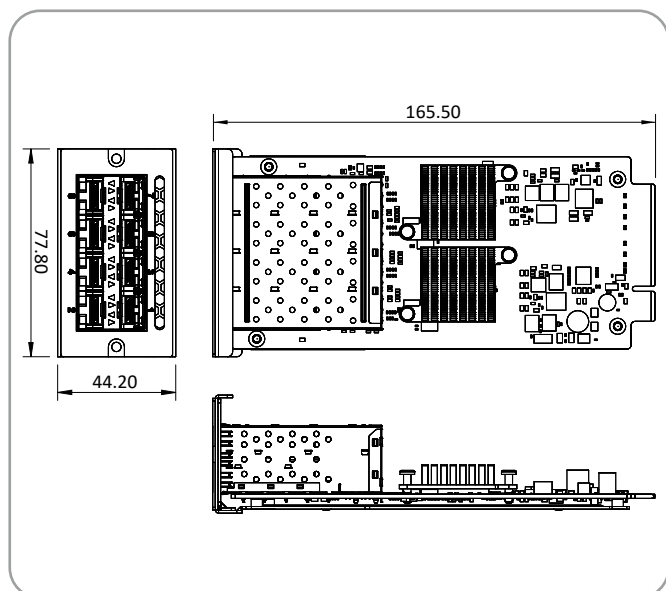
Ordering Information

Part No.	Description
PuIM-1G8SF-I350-R10	Intel® Ethernet Controller I350-AM4 based Network Interface Card with 8 x SFP by 2 PCIe 2.0 x4 interface.
PuIM-1G8SF/T-I350-R10	Intel® Ethernet Controller I350-AM4 based Network Interface Card with 8 x SFP by 2 PCIe 2.0 x4 interface.

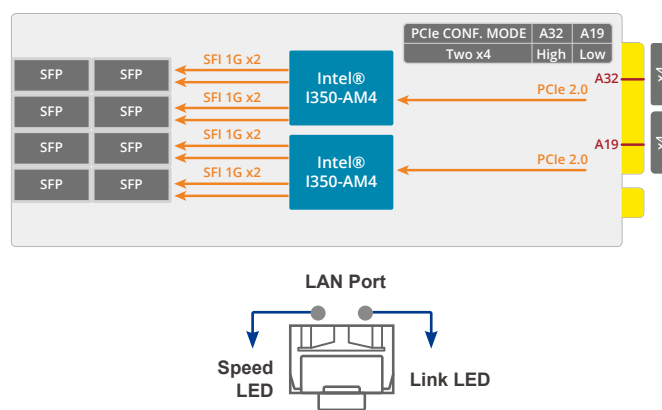
Packing List

Part No.	L-shaped T10 PuIM Wrench	Torx Screws	QIG
PuIM-1G8SF-I350-R10	1	2	1
PuIM-1G8SF/T-I350-R10	N/A	N/A	1

Dimensions (Unit: mm)



Block Diagram



LED	State	Description
Link (Right)	Yellow ■	Active
Speed (Left)	Green ■	1 Gbps data rate

PuIM-1G4T-I350

Intel® Ethernet Controller I350-AM4 based Network Interface Card with 4 x RJ-45 by 2 PCIe 2.0 x4 interface, RoHS



Features

- 1 x Intel® Ethernet Controller I350-AM4
- 4 x GbE RJ-45 connectors
- 2 PCIe2.0 x4
- CE / FCC / RoHS compliant

Specifications

Model Name	PuIM-1G4T-I350	PuIM-1G4T/T-I350
Form Factor	IEI Networking Module	
NIC	Intel® Ethernet Controller I350-AM4	
LAN Interface	RJ-45	
Speed	1GbE	
Ports	4	
Host Interface	2 PCIe 2.0 x4	
Storage Temp.	-20°C ~ 75°C (-4°F ~ 167°F)	
Operating Temp.	0°C ~ 40°C (32°F ~ 104°F)	
Humidity	5% ~ 90% RH, Non-condensing	
Dimensions (mm)	165.50 (L) x 77.8 (W) x 44.2 (H)	
Compliance	CE / FCC / RoHS	
Support Device	PUZZLE-IN001 PUZZLE-IN001A PUZZLE-IN004	PUZZLE-IN005

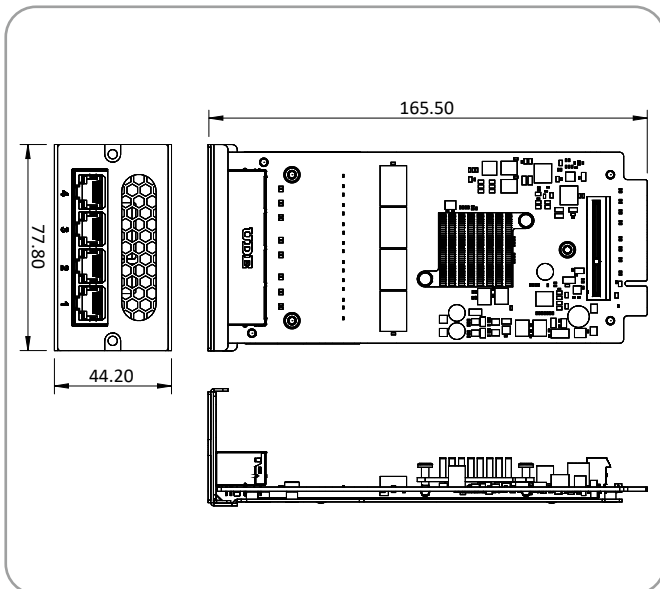
Ordering Information

Part No.	Description
PuIM-1G4T-I350-R10	Intel® Ethernet Controller I350-AM4 based Network Interface Card with 4 x RJ-45 by 2 PCIe 2.0 x4 interface, RoHS.
PuIM-1G4T/T-I350-R10	Intel® Ethernet Controller I350-AM4 based Network Interface Card with 4 x RJ-45 by 2 PCIe 2.0 x4 interface, RoHS.

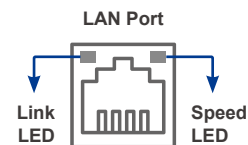
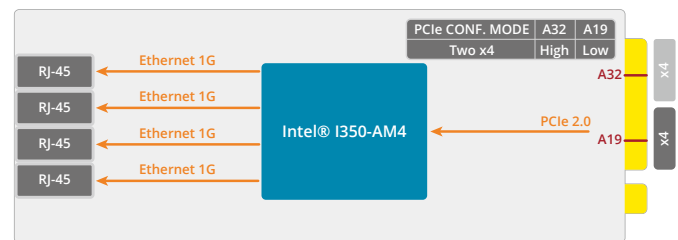
Packing List

Part No.	L-shaped T10 PuIM Wrench	Torx Screws	QIG
PuIM-1G4T-I350-R10	1	2	1
PuIM-1G4T/T-I350-R10	N/A	N/A	1

Dimensions (Unit: mm)



Block Diagram



LED	State	Description
Link (Left)	Yellow	Active
	Green	1 Gbps data rate
Speed (Right)	Orange	100 Mbps data rate
	Green	1 Gbps data rate

PuIM-1G4T-I350-BP

Intel® Ethernet Controller I350-AM4 based Network Interface Card with 4 x RJ-45 by 2 PCIe 2.0 x4 interface, RoHS



Features

- 1 x Intel® Ethernet Controller I350-AM4
- 4 x GbE RJ-45 connectors
- 2 PCIe 2.0 x4
- LAN Bypass
- CE / FCC / RoHS compliant

Specifications

Model Name	PuIM-1G4T-I350-BP	PuIM-1G4T/T-I350-BP
Form Factor	IEI Networking Module	
NIC	Intel® Ethernet Controller I350-AM4	
Bypass	Yes, two pairs	
LAN Interface	RJ-45	
Speed	1GbE	
Ports	4	
Host Interface	2 PCIe 2.0 x4	
Storage Temp.	-20°C ~ 75°C (-4°F ~ 167°F)	
Operating Temp.	0°C ~ 40°C (32°F ~ 104°F)	
Humidity	5% ~ 90% RH, Non-condensing	
Dimensions (mm)	165.50 (L) x 77.8 (W) x 44.2 (H)	
Compliance	CE / FCC / RoHS	
Support Device	PUZZLE-IN001 PUZZLE-IN001A PUZZLE-IN004	PUZZLE-IN005

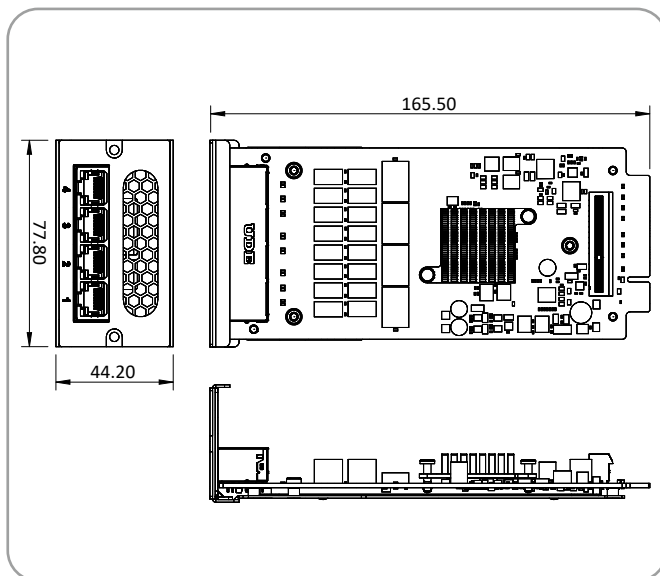
Ordering Information

Part No.	Description
PuIM-1G4T-I350-BP-R10	Intel® Ethernet Controller I350-AM4 based Network Interface Card with 4 x RJ-45 by 2 PCIe 2.0 x4 interface, RoHS.
PuIM-1G4T/T-I350-BP-R10	Intel® Ethernet Controller I350-AM4 based Network Interface Card with 4 x RJ-45 by 2 PCIe 2.0 x4 interface, RoHS.

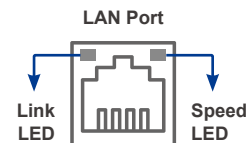
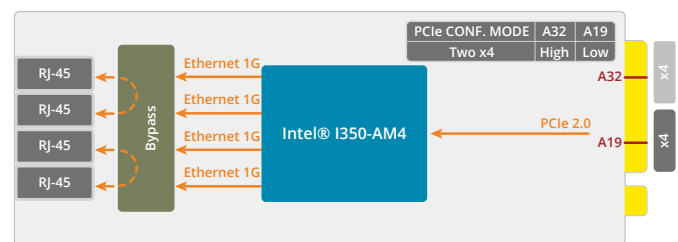
Packing List

Part No.	L-shaped T10 PuIM Wrench	Torx Screws	QIG
PuIM-1G4T-I350-BP-R10	1	2	1
PuIM-1G4T/T-I350-BP-R10	N/A	N/A	1

Dimensions (Unit: mm)



Block Diagram



LED	State	Description
Link (Left)	Yellow	Active
Speed (Right)	Green	1 Gbps data rate
	Orange	100 Mbps data rate
Off	Off	Bypass function

PuIM-1G8T-I350

2 x Intel® Ethernet Controller I350-AM4 based Network Interface Card with 8 x RJ-45 by 2 PCIe 2.0 x4 interface, RoHS



Features

- 2 x Intel® Ethernet Controller I350-AM4
- 8 x GbE RJ-45 connectors
- 2 PCIe 2.0 x4
- CE / FCC / RoHS compliant

Specifications

Model Name	PuIM-1G8T-I350	PuIM-1G8T/T-I350
Form Factor	IEI Networking Module	
NIC	Intel® Ethernet Controller I350-AM4	
LAN Interface	RJ-45	
Speed	1GbE	
Ports	8	
Host Interface	2 PCIe 2.0 x4	
Storage Temp.	-20°C ~ 75°C (-4°F ~ 167°F)	
Operating Temp.	0°C ~ 40°C (32°F ~ 104°F)	
Humidity	5% ~ 90% RH, Non-condensing	
Dimensions (mm)	165.50 (L) x 77.8 (W) x 44.2 (H)	
Compliance	CE / FCC / RoHS	
Support Device	PUZZLE-IN001 PUZZLE-IN001A PUZZLE-IN004	PUZZLE-IN005

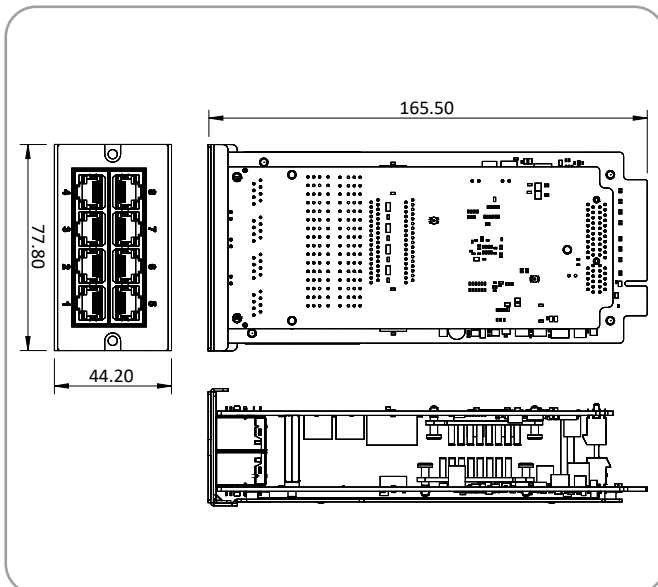
Ordering Information

Part No.	Description
PuIM-1G8T-I350-R10	Intel® Ethernet Controller I350-AM4 based Network Interface Card with 8 x RJ-45 by 2 PCIe 2.0 x4 interface, RoHS.
PuIM-1G8T/T-I350-R10	Intel® Ethernet Controller I350-AM4 based Network Interface Card with 8 x RJ-45 by 2 PCIe 2.0 x4 interface, RoHS.

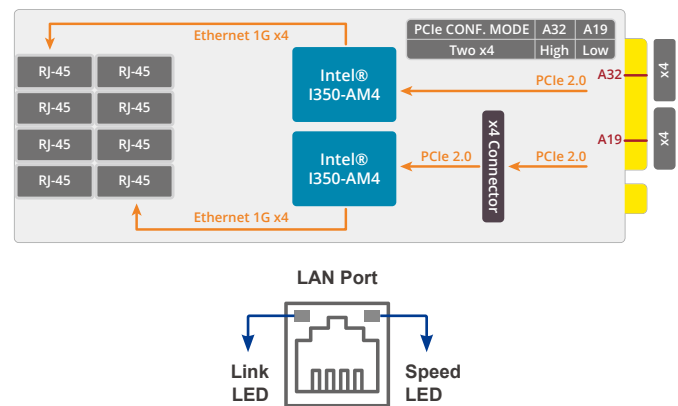
Packing List

Part No.	L-shaped T10 PuIM Wrench	Torx Screws	QIG
PuIM-1G8T-I350-R10	1	2	1
PuIM-1G8T/T-I350-R10	N/A	N/A	1

Dimensions (Unit: mm)



Block Diagram



LED	State	Description
Link (Left)	Yellow	Active
	Green	1 Gbps data rate
Speed (Right)	Orange	100 Mbps data rate

PuIM-1G8T-I350-BP

Intel® Ethernet Controller I350-AM4 based Network Interface Card with 4 x RJ-45 by 2 PCIe 2.0 x4 interface, RoHS



Features

- 2 x Intel® Ethernet Controller I350-AM4
- 8 x GbE RJ-45 connectors
- 2 PCIe 2.0 x4
- LAN Bypass (by sku)
- CE / FCC / RoHS compliant

Specifications

Model Name	PuIM-1G8T-I350-BP	PuIM-1G8T/T-I350-BP
Form Factor	IEI Networking Module	
NIC	Intel® Ethernet Controller I350-AM4	
Bypass	Yes, four pairs	
LAN Interface	RJ-45	
Speed	1GbE	
Ports	8	
Host Interface	2 PCIe 2.0 x4	
Storage Temp.	-20°C ~ 75°C (-4°F ~ 167°F)	
Operating Temp.	0°C ~ 40°C (32°F ~ 104°F)	
Humidity	5% ~ 90% RH, Non-condensing	
Dimensions (mm)	165.50 (L) x 77.8 (W) x 44.2 (H)	
Compliance	CE / FCC / RoHS	
Support Device	PUZZLE-IN001 PUZZLE-IN001A PUZZLE-IN004	PUZZLE-IN005

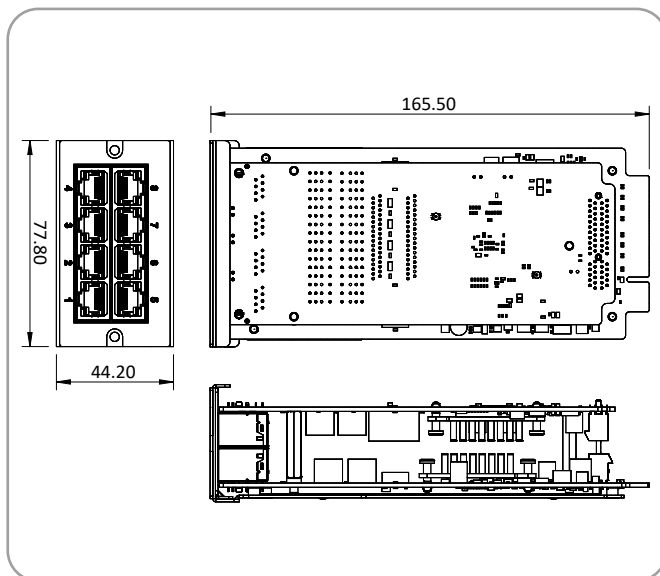
Ordering Information

Part No.	Description
PuIM-1G8T-I350-BP-R10	Intel® Ethernet Controller I350-AM4 based Network Interface Card with 8 x RJ-45 by 2 PCIe 2.0 x4 with bypass interface, RoHS
PuIM-1G8T/T-I350-BP-R10	Intel® Ethernet Controller I350-AM4 based Network Interface Card with 8 x RJ-45 by 2 PCIe 2.0 x4 with bypass interface, RoHS

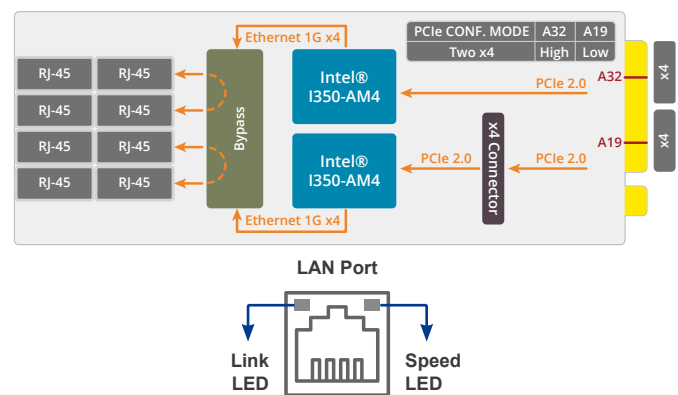
Packing List

Part No.	L-shaped T10 PuIM Wrench	Torx Screws	QIG
PuIM-1G8T-I350-BP-R10	1	2	1
PuIM-1G8T/T-I350-BP-R10	N/A	N/A	1

Dimensions (Unit: mm)



Block Diagram



LED	State	Description
Link (Left)	Yellow	Active
Speed (Right)	Green	1 Gbps data rate
	Orange	100 Mbps data rate
Off	Off	Bypass function

PuIM-1G8T-BCM5720

Broadcom BCM5720 based Network Interface Card with 8 x RJ-45 by 4 PCIe 2.0 x 2 Interface



Features

- 2 x Intel® Ethernet Controller I350-AM4
- 8 x GbE RJ-45 connectors
- 2 PCIe2.0 x4
- CE / FCC / RoHS compliant

Specifications

Model Name	PuIM-1G8T-BCM5720
Form Factor	IEI Networking Module - PuIM
NIC	Broadcom BCM5720
LAN Bypass	N/A
LAN Interface	RJ-45
Speed	GbE
Ports	8
Host Interface	4 PCIe 2.0 x2
Storage Temp.	-20°C ~ 75°C (-4°F ~ 167°F)
Operating Temp.	0°C ~ 40°C (32°F ~ 104°F)
Humidity	5% ~ 90% RH, Non-condensing
Dimensions (mm)	165.50 (L) x 77.8 (W) x 44.2 (H)
Compliance	RoHS

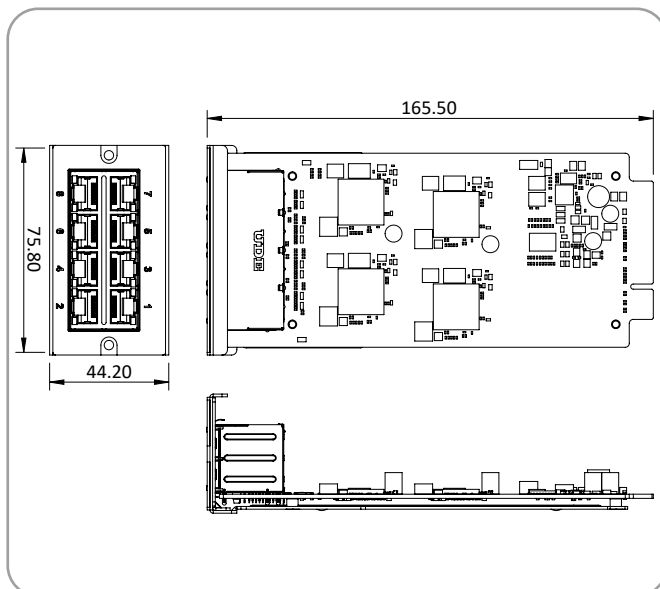
Ordering Information

Part No.	Description
PuIM-1G8T-BCM5720-R10	Broadcom BCM5720 based network interface card with eight RJ-45 by 4 PCIe 2.0 x2 interface, RoHS

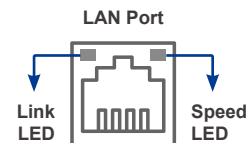
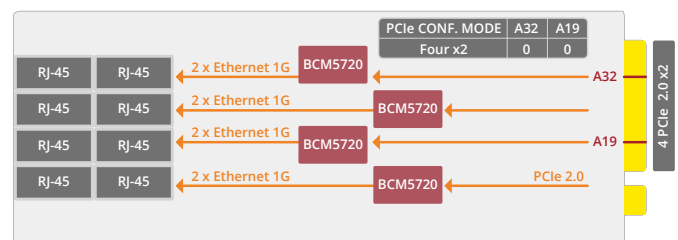
Packing List

Part No.	L-shaped T10 PuIM Wrench	Torx Screws	QIG
PuIM-1G8T-BCM5720	1	2	1

Dimensions (Unit: mm)



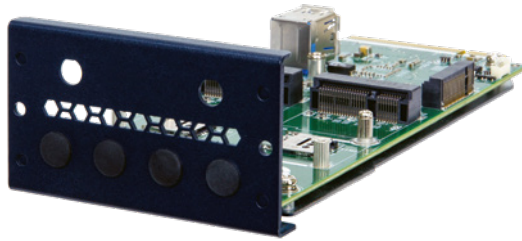
Block Diagram



LED	State	Description
Link (Left)	Yellow	Active
	Green	1 Gbps data rate
Speed (Right)	Green	1 Gbps data rate
	Orange	100 Mbps data rate

PuIM-2P1M

Two Mini-PCIe and One M.2 Expansion Card Support the Wi-Fi or LTE Module, RoHS



Features

- Supports 2 x PCIe mini and 1 x 2230/2242 M.2 B key
- Mini PCIe and M.2 with SIM card slots
- 2 PCIe 3.0 x4
- RoHS compliant

Specifications

Model Name	PuIM-2P1M
Interface	IEI Networking Module - PuIM
Onboard IC	ASM1812 (PCIe Gen 2 x4) FL1100EX (PCI-E To USB 3.0 (4 Port))
M.2	1 x 2230/2242 M.2 B key (PCIe 2.0, USB 3.2 Gen 1) with SIM card slot
PCIe	2 x PCIe Mini (PCIe, USB 2.0) with SIM card slots
Storage Temp.	-20°C ~ 75°C (-4°F ~ 167°F)
Operating Temp.	0°C ~ 40°C (32°F ~ 104°F)
Humidity	5% ~ 90% RH, Non-condensing
Dimensions (mm)	165.50 (L) x 77.8 (W) x 44.2 (H)
Compliance	RoHS
Support Device	PUZZLE-IN001 PUZZLE-IN001A PUZZLE-IN004

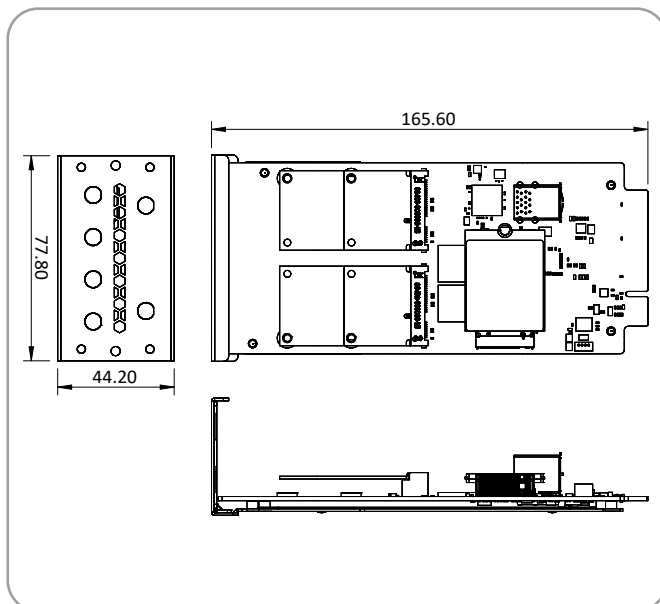
Ordering Information

Part No.	Description
PuIM-2P1M-R10	Two Mini-PCIe and One M.2 Expansion Card Support the Wi-Fi or LTE Module, RoHS

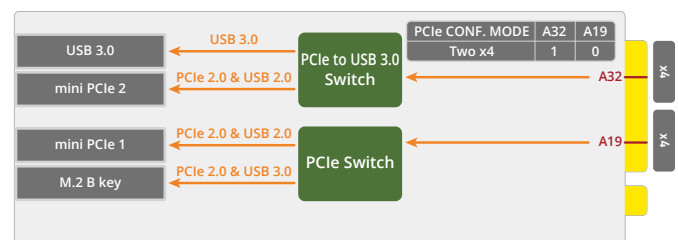
Packing List

Part No.	L-shaped T10 PuIM Wrench	Torx Screws	QIG
PuIM-2P1M-R10	1	2	1

Dimensions (Unit: mm)



Block Diagram



PuIM-M2-2S

M.2 PCIe SSD expansion card supports two M.2 2280 PCIe NVMe (3.0 x4) SSDs, two PCIe 3.0 x4 host interface



Features

- Supports two M.2 2280 PCIe NVMe (3.0 x4) SSDs
- M.2 SSD temperature is monitored in real time by sensor IC
- 2 PCIe 3.0 x4
- LED indicator shows the M.2 status
- RoHS compliant

Specifications

Model Name	PuIM-M2-2S
Interface	IEI Networking Module - PuIM
Onboard IC	N/A
M.2	2 x M key 2260/2280/22110 (PCIe 3.0 x4/NVMe)
PCIe	N/A
Storage Temp.	-20°C ~ 75°C (-4°F ~ 167°F)
Operating Temp.	0°C ~ 40°C (32°F ~ 104°F)
Humidity	5% ~ 90% RH, Non-condensing
Dimensions (mm)	165.50 (L) x 77.8 (W) x 44.2 (H)
Compliance	RoHS
Support Device	PUZZLE-IN001 PUZZLE-IN001A PUZZLE-IN004

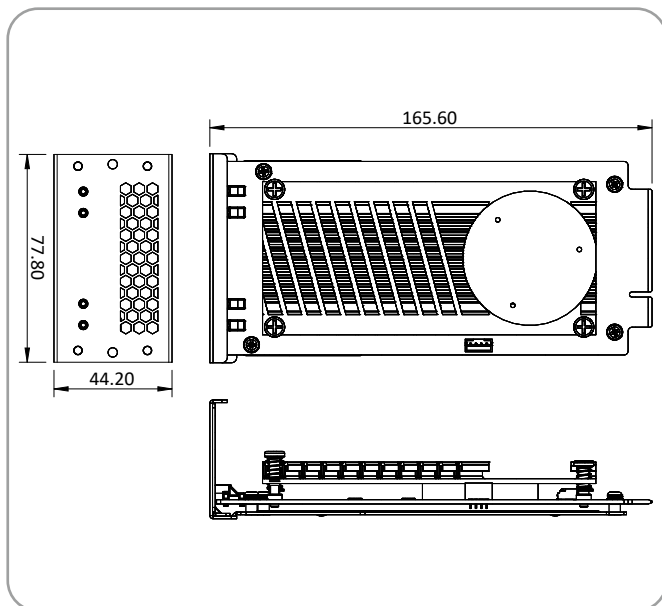
Ordering Information

Part No.	Description
PuIM-M2-2S-R10	M.2 PCIe SSD expansion card supports two M.2 2280 PCIe NVMe (3.0 x4) SSDs; two PCIe 3.0 x4 host interface, RoHS

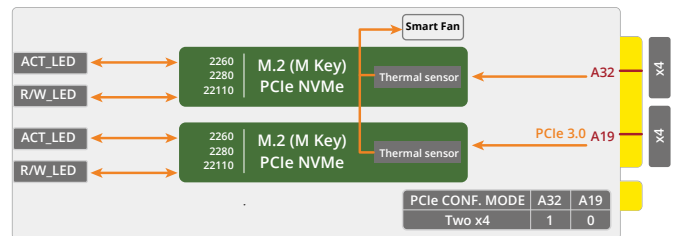
Packing List

Part No.	L-shaped T10 PuIM Wrench	Thermal Pad kit	Torx Screws	M.2 SSD Screw	QIG
PuIM-M2-2S-R10	1	2	2	4	1

Dimensions (Unit: mm)



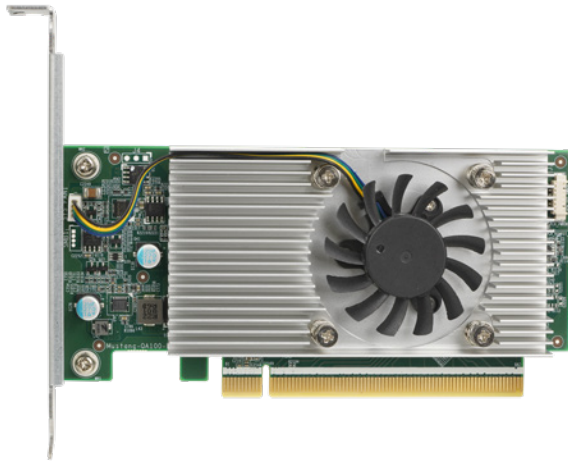
Block Diagram



LED	State	Description
Left	Red ■	Active
Right	Green ■	Read/Write

Mustang-QA100-C627

Intel® QAT accelerator for Crypto and Compression with lewisburg chipset, PCIe Gen 3 x16, RoHS



Features

- 1 x Intel® Lewisburg chipset C627
- Asymmetric and Symmetric encryption and authentication
- Digital signatures
- RSA, DH, and ECC
- Lossless data compression

Specifications

Throughput	
SSL/IPSec	100Gbps
Compression Deflate	100Gbps
Decompression Deflate	100Gbps
RSA Decrypt 1k-bit	550K Ops/sec
RSA Decrypt 2k-bit	100 Ops/Sec

Specifications	
Main Chip	Intel® C627 Chipset
Cooling	Active cooling
Interface	PCIe Gen 3 x16
Operating Humidity	0% ~ 90%, non-condensing
Operating Temperature	0°C ~ 40°C
Storage Temperature	-40°C ~ 75°C (-40°F ~ 167°F)
Dimension	144.27 x 68.9 x 15.43 (L x W x H mm)
Regulation	RoHS
Operating system support	Linux

Ordering Information

Part No.	Description
Mustang-QA100-C627-R10	Intel® QAT accelerator for Crypto and Compression with lewisburg chipset, PCIe Gen 3 x16, RoHS

Packing List

Mustang-QA100-C627-R10	1 x QIG
------------------------	---------

Dimensions (Unit: mm)

