

Smart Healthcare Strategies of IEI Group



Providing better services from both IEI and BriteMED

IEI is a leading company providing industrial computer-based boards and system products that could be applied in factory automation, retail management, security, transportation, etc. IEI promises to provide our own-brand products continually as well as serving ODM vertical markets to offer complete, professional and flexible services. Learning from various medical product designs and manufacturing experiences, we found that the medical grade computer locates in a highly customized and professional product segment. For this reason, we planed to expand the market share in the medical field, and our medical business unit was then separated from the mother company to become an independent company called BriteMED on August 1st in 2009.

Population aging and technology approved day by day are the worldwide phenomenons which make the healthcare application become friendlier, such as healthcare digitally (paper-less and automatic data collection), healthcare remotely and healthcare mobility. To provide our customers better services, we divide R&D works into two parts - by IEI and by BriteMED.

iEi Integration Corp.

Medical IT for general healthcare



Medical Panel PC



Medical Embedded System



RISC Based Panel PC



Industrial PDA



1D/2D Medical Grade Barcode Reader



Capture Card

BriteMED

Medical devices for clinical



Medical Monitor



E-Medical Cart

Our Value Propositions



Manufacturing Certification



Medical Grade Certification

- Safety: UL/cUL, CE
- EMC: FCC Class B Part 18, EN 60601-1-2 (V4.0)
- R.E.D
- ISO 14971
- Usability: IEC 62366 + IEC 60601-1-6
- IEC 62304

Deeply Focus on Advanced Users Experiences

- Anti-bacteria plastic cover (ATCC 6538P, ATCC 8739, ATCC 4352, ATCC 33591 and ATCC 10145) to avoid cross-infection
- Smooth curves design for easy cleaning
- Slim and comfortable sense of touch for moving the cart safely
- Multiple optional peripherals to add on
- Camera cover protects patient privacy
- Magnetic cover for easy system maintenance

R&D Capability

- Thermal analysis
- Front IP65
- DICOM
- Uniformity calibration
- IC design (FPGA)
- Optical design
- 2.5kV isolation port
- Hot swappable battery
- PoE
- Wide power range
- Intel/Freescale development

All-in-one Medical Grade Panel PC

Medical Certifications



User-friendly-oriented design is always the core value of us. IEI all-in-one medical grade panel PC series offers three product lines to accommodate all healthcare needs. All products are equipped with antibacteria chassis and IP65 front bezel for easy sterilization. The touch panel still works under wearing multi-layer medical gloves. In addition, the products we designed support various communication functions, such as Bluetooth, 1D/2D barcode scanner, RFID, SCR and MSR. These units can provide clinician personnel conveniences and increase the work efficiency.



POC Series

Point-of-care terminal

- Rich bottom I/O
- High performance with smart fan/fanless system
- Ambient light sensor for panel brightness adjustment



POCm Series

Mobile point-of-care terminal

- Lightweight design: under 6.8kg without battery
- High performance with fanless system
- Multiple storage option: 1 x 2.5" Accessible SATA HDD bay or 2 x 2 x M-key M.2 2242/60/80 (PCIe+SATA) with RAID
- 3 hot swappable batteries with battery management utility design



BIS Series

Bedside

- Back I/O with 1.5kV isolated RS-232/422/485
- High performance with fanless system
- Monitor mode

Selection Guide



Series		POC		
Model		POC-17C-ULT3	POC-W22A-H81	POC-W24C-ULT3
LCD/Touch	LCD Size (inch)	17"	22"	24"
	Max. Resolution	1280 (W) x 1024 (H)	1920 (W) x 1080 (H)	1920 (W) x 1080 (H)
	Brightness (cd/m ²)	350	250	250
	Contrast Ratio	1000:1	1000:1	1000:1
	LCD Color	16.7M	16.7M	16.7M
	Viewing Angle (H-V)	170°/160°	170°/160°	178°/ 178°
	Touchscreen	Projected capacitive type with USB interface	Projected capacitive type with 10-point multi-touch	Projected capacitive type with 10-point multi-touch
System	CPU	6th Generation Intel® mobile ULT Core™ i7/i5/Celeron® processor	Intel® desktop Core™ i5/i3/Pentium®/CPU (up to TDP 35W CPU)	6th Generation Intel® mobile ULT Core™ i7/i5/Celeron® processor 7th Generation Intel® mobile ULT Core™ i7/i5/Celeron® processor (by project base)
	Chipset	--	Intel® H81	--
	Memory	Two 260-pin 1600/1333MHz dual-channel DDR4 SO-DIMM, 4GB pre-installed (system max.32GB)	Two 204-pin 1600/1333MHz dual-channel DDR3 SO-DIMM, 4GB pre-installed (system max.16GB)	Two 260-pin 1600/1333MHz dual-channel DDR4 SO-DIMM, 4GB pre-installed (system max.32GB)
	I/O Ports	1 x RJ-11 for 1D/2D barcode reader 4 x USB 2.0 (2 on the side) 4 x USB 3.0 port 1 x HDMI output 2 x GbE LAN port 1 x RS-232/422/485 1 x 12~28V DC jack	1 x RS-232/422/485 2 x GbE LAN by RJ-45 (1 for iRIS) 1 x Power button 1 x VGA output 1 x HDMI output 1 x 12V~28V DC Jack 2 x USB 3.0 4 x USB 2.0 (2 on the bottom and 2 on the side) 1 x RJ-11 for barcode module (1D/2D)	1 x RJ-11 for 1D/2D barcode reader 4 x USB 2.0 (2 on the side) 4 x USB 3.0 port 1 x HDMI output 2 x GbE LAN port 1 x RS-232/422/485 1 x 12~28V DC jack
	Storage	2 x 2.5" SATA 6Gb/s accessible HDD bay 1 x mSATA (E-Window)	1 x 2.5" SATA HDD bay	1 x 2.5" SATA 6Gb/s HDD bay 1 x mSATA reserved (E-Window)
	Audio	2 x 2W speaker, digital microphone	2 x 2W speaker, digital microphone	2 x 2W speaker, digital microphone
	LED Function	RFID indicator	2-light battery status LED, RFID indicator LED	RFID indicator
	OSD Function	1 x LCD on/off 1 x Brightness up 1 x Brightness down 1 x Volume up 1 x Volume down 1 x Touch lock button for cleaning Combinations: 1 x Lock/Unlock OSD 1 x Power on/off	1 x LCD on/off 1 x Brightness up 1 x Brightness down 1 x Volume up 1 x Volume down 1 x Touch lock button for cleaning Combinations: 1 x Lock/Unlock OSD 1 x Power on/off	1 x LCD on/off 1 x Brightness up 1 x Brightness down 1 x Volume up 1 x Volume down 1 x Touch lock button for cleaning Combinations: 1 x Lock/Unlock OSD 1 x Power on/off
	Auto-dimming	Yes	Yes	Yes
	Expansion	1 x E-Window slot (full-size PCIe Mini slot with PCIe/mSATA/USB)	1 x E-Window slot (full-size PCIe Mini slot with PCIe/mSATA/USB)	1 x E-Window slot (full-size PCIe Mini slot with PCIe/mSATA/USB)
Wireless	Wi-Fi and Bluetooth	IEEE 802.11 a/b/g/n/ac 2T2R module with Bluetooth V4.1 (M.2 2230 A-E key module)	IEEE 802.11 a/b/g/n/ac 1T1R module IEEE 802.11 a/b/g/n/ac 2T2R module with Bluetooth V4.1 (M.2 2230 A-E key module)	
Physical	Construction Material	ABS+PC plastic with antibacterial material	ABS+PC plastic with anti-bacterial material	ABS+PC plastic with anti-bacterial material
	Mounting	Wall, Stand and Arm VESA 75/100		Wall, Stand and Arm VESA 75/100
	Net Weight	6.0 kg	7.3 kg	7.5 Kg
	Dimensions (WxHxD) (mm)	435 x 376 x 65	543 x 350 x 52	595 x 380 x 61
Environment	Operating Temperature (°C)	0°C ~ 40°C		
	IP Level	IP65 compliant front panel	IP 65 compliant front panel	IP 65 compliant front panel
	Thermal Solution	Fanless	Smart Fan	Fanless
Power	Power Requirement	12V~28V DC input	12V~28V DC input	12V~28V DC input
	Power Adapter	120W medical power adapter: Input: 90V~264V AC, Output: 19V DC	120W medical power adapter: Input: 90V~264V AC, Output: 19V DC	120W medical power adapter: Input: 90V~264V AC, Output: 19V DC
Certification	CE, FCC Class B part 18, ANSI / AAMI / ES60601-1 CAN/CSA-C22.2 No. 60601-1:14,IEC 60601-1-6/IEC62366,ISO 14971	CE, FCC Class B part 18, ANSI / AAMI / ES60601-1 CAN/CSA-C22.2 No. 60601-1:14,IEC 60601-1-6/IEC62366,ISO 14971	CE, FCC Class B part 18, ANSI / AAMI / ES60601-1 CAN/CSA-C22.2 No. 60601-1:14,IEC 60601-1-6/IEC62366,ISO 14971	

Selection Guide



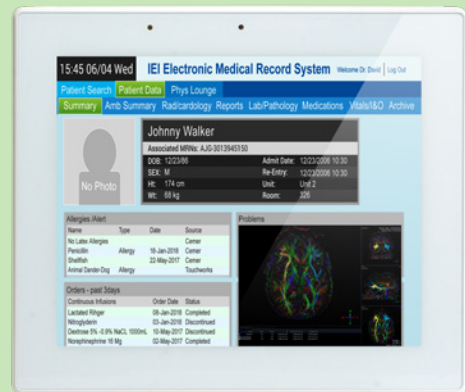
Series		POCm		BIS
Model		POCm-W22C-ULT3	POCm-W24C-ULT3	BIS-W19C-ULT4
LCD Touch Specification	LCD Size (inch)	21.5"		18.5"
	Max. Resolution	1920 (W) x 1080 (H)		1366 (W) x 768 (H) / 1920 (W) x 1080 (H)
	Brightness (cd/m ²)	250		250 / 350
	Contrast Ratio	1000:1		1000:1
	LCD Color	16.7M		16.7M colors
	Viewing Angle (H-V)	170°/160°	178°(H) / 178°(V)	
	Touchscreen	Projected capacitive type with 10-point multi-touch		Projected capacitive type with 10-point multi-touch
System	CPU	6th Generation Intel® mobile ULT Core™ i7/i5/Celeron® processor		7th Generation Intel® mobile ULT Core™ i5/Celeron® processor
	Memory	Two 260-pin 1600/1333MHz dual-channel DDR4 SODIMM, 4GB pre-installed (system max.32GB)		Two 260-pin 1600/1333MHz dual-channel DDR4 SODIMM, 4GB pre-installed (system max.32GB)
	I/O Ports	Bottom I/O 1 x DC Jack 2 x HDMI out 2 x GbE LAN port 2 x RS232/422/485 4 x USB 3.0 port 1 x RJ-11 for barcode module	Other 2 x USB 2.0 port (side) 1 x Audio out (side) + 1 x Mic in (side) 1 x Digital Mic (front, bottom)	Rear 1 x 1.5kV isolation COM port 1 x 12~28V DC Jack 1 x GbE LAN port 2 x USB 3.0 port Bottom 1 x RJ-11 for barcode scanner 1 x GbE LAN port 2 x USB 3.0 port 1 x HDMI output Side 1 x HDMI input (optional) 2 x USB 2.0 port 1 x Audio out 1 x Mic in
	Storage	1 x 2.5" Accessible SATA HDD bay 2 x M-key M.2 2242/60/80 (PCIe+SATA) with RAID		1 x 2.5" SATA 6Gb/s HDD bay 1 x mSATA reserved (E-Window)
	Audio	2 x 3W Speaker, digital microphone		2 x 3W Speaker, digital microphone
	LED	RFID indicator Battery indicator (color: blue/orange)		RFID indicator
	OSD Function	1 x System on/off 1 x Brightness down 1 x Brightness up 1 x Volume down 1 x Volume up 1 x LCD on/off and Touch lock for cleaning		1 x LCD on/off 1 x Brightness down 1 x Brightness up 1 x Volume down 1 x Volume up 1 x Touch lock (OSD lock included) Combinations: 1 x Auto-dimming on/off
	Auto-dimming	No		Yes
	Expansion	1 x E-Window slot (full-size PCIe Mini slot with PCIe/mSATA/USB)		1 x E-Window slot (full-size PCIe Mini slot with PCIe/mSATA/USB)
	Wireless	Wi-Fi and Bluetooth		Wi-Fi and Bluetooth
Physical	Construction Material	ABS+PC plastic with anti-bacterial material		ABS + PC plastic with anti-bacterial material
	Mounting	Wall, Stand and Arm VESA 75/100		Wall, Stand and Arm VESA 75/100
	Net Weight	6.8 kg without battery		6.5 kg
	Dimensions (WxHxD) (mm)	543 x 350 x 61	595 x 380 x 61	478.6 x 317.3 x 60.1
Environment	Operating Temperature (°C)	0°C~40°C		0°C ~ 40°C
	IP Level	Front: IP65, Back: IP32 above		IP 65 compliant front panel
	Thermal Solution	Fanless		Fanless
Power	Power Requirement	12V~28V DC input		12~28V DC input
	Power Adapter	120W medical power adapter: Input: 100V~240V AC, Output: 12V DC		120W medical power adapter: Input: 90V~264V AC; Output: 19V DC
Certification	CE, FCC Class B part 18,ANSI/AAMI ES60601-1 CAN/CSA-C22.2 No. 60601-1:14,IEC 60601-1-6/IEC62366,ISO 14971		CE, FCC Class B part 18,ANSI/AAMI ES60601-1 CAN/CSA-C22.2 No. 60601-1:14,IEC 60601-1-6/IEC62366,ISO 14971	

Point-of-Care Terminal

POC-17C-ULT3 | 17" Medical Panel PC with 6th Generation Intel® mobile ULT Core™ i7/i5/Celeron processor

Features

- 17" 5:4 LED panel (1280 x 1024)
- 6th Generation Intel® mobile ULT Core™ i7-6600U / Core™ i5-6300U / Celeron® 3855U
- Projected capacitive type with 10-point multi-touch
- IP65 compliant front bezel
- Anti-bacteria cover
- RAID function supported (RAID 0 and RAID 1) (only for Core™ i5 or Core™ i7)



E-Window

• Built-in camera cover

The camera cover protects the privacy of patients. The built-in design also makes the maintenance more convenient, and prevents cover loss.



• RAID 0 and RAID 1 Function

The RAID 0/1 capability offers redundancy through mirroring - data is written identically to two drives. Users in the hospital will not need to worry about data lost anymore. (only for Core™ i5 or above)



• E-Window for Multiple Expansion

The reserved PCIe Mini slot for expansion helps system integrators add more functions easily without any additional cost efforts.



E-Window

• Front IP65 Compliance

Easy to clean when spray the detergent and wipe at the front

• Advanced Touchscreen for Saline

The PCAP touch not only supports multi-touch function but also provides smooth control when operating with gloves. Moreover, we cooperate with our suppliers to work hard on avoiding the accidental operating from sterile saline.



Specifications

Model		POC-17C-ULT3
LCD Specifications	LCD Display	17" (5:4)
	Max Resolution	1280 (W) x 1024 (H)
	Brightness (cd/m ²)	350
	Contrast Ratio	1000:1
	LCD Color	16.7M
	Pixel Pitch (mm)	0.264 (H) x 0.264 (V)
	Viewing Angle (H-V)	170° / 160°
	Backlight MTBF (hrs)	30000 (LED backlight)
Touch	Touchscreen	Projected capacitive type with 10-point multi-touch
	Surface Hardness	6H
System	CPU Support	6th Generation Intel® mobile ULT Core™ i7-6600U / Core™ i5-6300U / Celeron® 3855U
	RAM	Two 260-pin 1600/1333MHz dual-channel DDR4 SO-DIMM, 4GB pre-installed (system max.32GB)
	I/O Port	1 x RJ-11 for barcode module (1D/2D) 4 x USB 2.0 (2 for side) 4 x USB 3.0 port 1 x HDMI output 2 x GbE LAN port 1 x RS-232/422/485 1 x 12~28V DC jack
	Storage	2 x 2.5" SATA 6Gb/s accessible HDD bay with RAID 0,1 (RAID function only for Core™ i5 and Core i7™) 1 x mSATA (E-Window)
	Audio	2 x 2W speaker and digital microphone
	Webcam & Microphone	2-megapixel CMOS front-facing camera with auto-focus and digital microphone
	Expansion	1 x E-Window slot (full-size PCIe Mini slot with PCIe/mSATA/USB)
	Other Features	Function Key
Auto-dimming		Yes
Thermal		Fanless
Connectivity		Wi-Fi and Bluetooth
Physical	Construction Material	ABS+PC plastic with anti-bacterial material pantone RAL 9016 (apple white)
	Mounting	Wall, Stand and Arm VESA 100/75
	Net Weight	6.0 Kg
	Dimensions (WxHxD) (mm)	435 x 376 x 64.5
Environment	Operating Temperature	0°C ~4 0°C
	Storage Temperature	-20°C ~ 65°C
	Humidity	10% to 95% (non-condensing)
	Vibration	1G
	Shock	Operating Shock: 5G peak acceleration (11ms duration) Non-Operating Shock: 15G peak acceleration (11ms duration)
	IP Level	IP65 compliant front panel
Power	Power Input	12V~28V DC input
	Power Adapter	120W medical power adapter: Input: 90V~264V AC, Output: 19V DC
Certification	CE, FCC Class B part 18,ANSI/AAMI ES60601-1 CAN/CSA-C22.2 No. 60601-1:14,IEC 60601-1-6/IEC62366,ISO 14971	

Ordering Information

Part No.	Description
POC-17C-ULT3-C/PC/4G-R10	17" 350 cd/m ² 1280x1024 Panel PC with 6th generation 14nm Intel® mobile Celeron® 3855U (15W) 1.6GHz on-board processor (ULT), one 4GB DDR4 RAM, 802.11a/b/g/n/ac Wi-Fi module, PCAP touchscreen, 2-megapixel camera, microphone, R10
POC-17C-ULT3-i5/PC/4G-R10	17" 350 cd/m ² 1280x1024 Panel PC with 6th generation 14nm Intel® mobile Core™ i5-6300U (15W) 2.4GHz on-board processor (ULT), one 4GB DDR4 RAM, 802.11a/b/g/n/ac Wi-Fi module, PCAP touchscreen, 2-megapixel camera, microphone, R10
POC-17C-ULT3-i7/PC/4G-R10	17" 350 cd/m ² 1280x1024 Panel PC with 6th generation 14nm Intel® mobile Core™ i7-6600U (15W) 2.6GHz on-board processor (ULT), one 4GB DDR4 RAM, 802.11a/b/g/n/ac Wi-Fi module, PCAP touchscreen, 2-megapixel camera, microphone, R10

Options

Number	Description
MEDP-HS-R10	USB interface VoIP phone and its holder, white
MEDP-CR-02-R10	Magnetic card reader/Smart card reader/Fingerprint sensor, white
MEDP-HD-R10	Metal handle covered with soft rubber
MEDP-HD-BR-R11	Metal handle covered with soft rubber, with barcode reader and reading light, white
MEDP-MF-RFID-02-R10	Mifare RFID reader, 13.56MHz, with LED indicator and 100mm antenna, IEI assembly only
MEDP-TPM-02-R10	Trusted platform module kit with 300mm cable, IEI assembly only
MEDP-EZS-R10	VESA 100 x 100 mm panel PC stand with a cable management hole, white
POC-17C-ULT3-W10E64-V-R10	OS Image with Windows Embedded Standard 10 E Value 64-bit for POC-17C/W24C Series, with DVD-ROM, RoHS
POCP-CC03-R10	POC-17C-ULT3 cable cover, white, plastic, R10

IQ Mounting Options

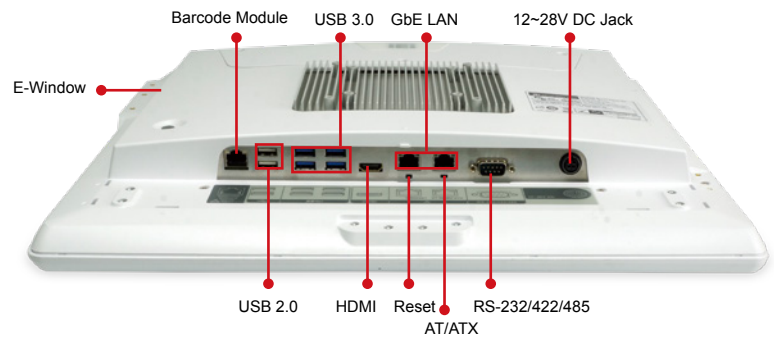
Item	Part No.
Wall Mount Kit	AFLWK-19B
Arm	ARM-31-RS
Stand	STAND-A21-R10



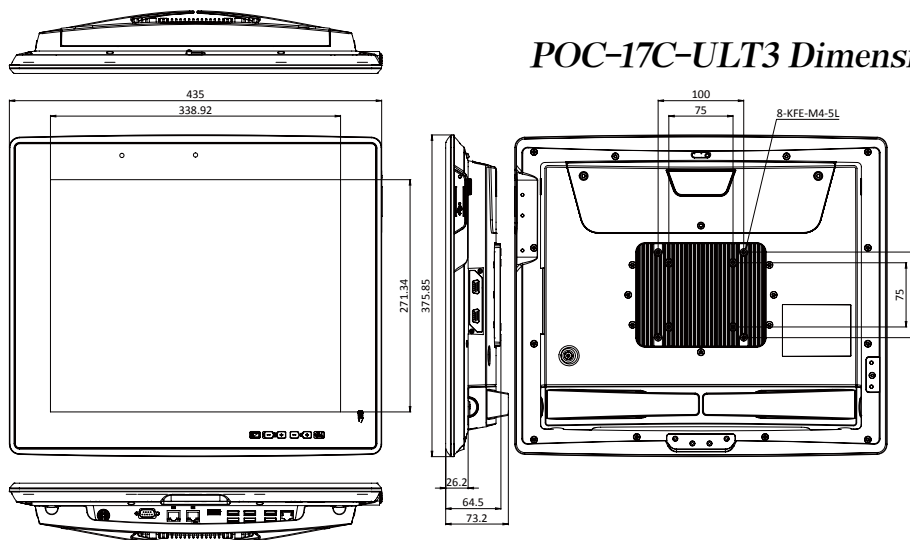
Packing List

Item	Part No.	Qty	Remark
Power Adapter	63040-580120-000-RS	1	120W medical power adapter: Input: 90V~264V AC, Output: 19 V DC
Power Cord		1	European power cords, 183 CM, C13

I/O Interface



POC-17C-ULT3 Dimensions (Unit: mm)



Point-of-Care Terminal

POC-W22A-H81

22" Medical Panel PC with Intel® desktop Core™ i5/i3/
Pentium® Processor

Features

- 22" 16:9 LED panel with FHD (1920 x 1080)
- 4th generation Intel® Core™ i5/i3/Pentium® CPU
- Projected capacitive touchscreen supports multi-touch
- IP65 compliant front bezel
- Anti-bacteria cover
- Optional 3-in-1 card reader: MSR, SCR and fingerprint
- Optional Mifare RFID module
- Optional internal 54W battery module
- Optional VoIP phone handset
- Optional handle module with barcode scanner and reading light



» Slim Design with Multiple Expansion Capabilities and Remote Control Technology

The POC-W22A-H81 is a medical panel PC featuring IoT, and can be used as a bed-side terminal or a medical cart computer developed to completely meet users' needs and ergonomics. With the help of the IEI Remote Intelligent System (IRIS) technology, it is more convenient to manage, monitor and maintain the POC-W22A-H81 remotely. In addition, the light and slim design changes people's perception of the medical panel PC which is usually bulky and without any functional compromise.

• An Optional Built-in IEI IRIS Module

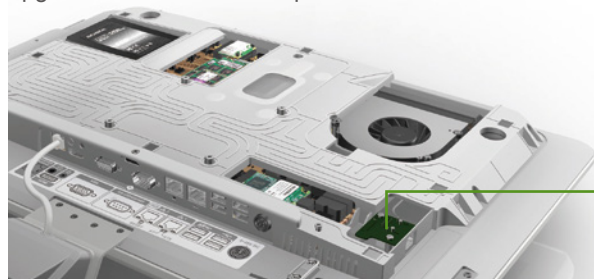
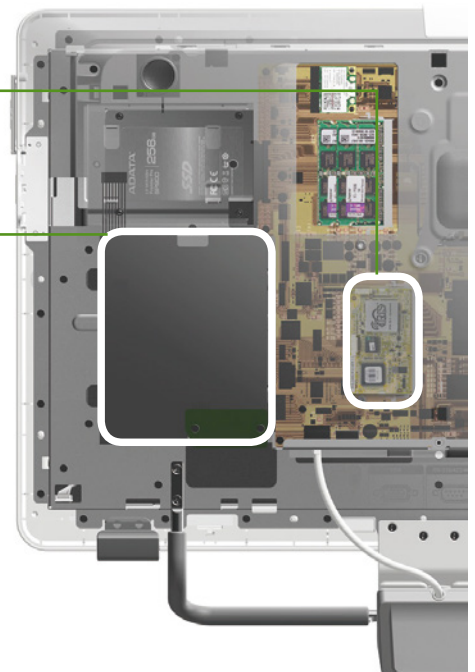
The IRIS technology provides remote control and monitoring features, which helps to reduce maintenance cost and to increase working efficiency in hospitals.

• An Optional Built-in Battery Module

The 54 W battery provides back-up power for up to 30 minutes in case of a power interruption. This feature offers protection against disruption of critical business operations or loss of data.

• Multiple Internal Expansion Capability

With the magnetic mechanism and the screw-less chassis design, it is easy to disassemble and replace the memory, fan, HDD and PCIe Mini card, making the upgrade and maintenance process become efficient and simple.



• Customized Internal Expansion Capability

The peripheral interface on the side panel can be customized according to users' needs by installing different types of PCIe Mini cards.

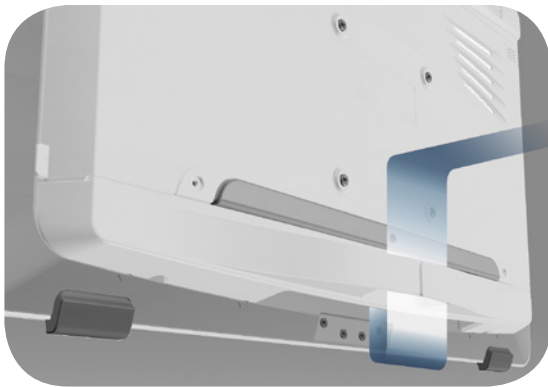
» Rich External Expansion Module Suitable for Every Customized Environment

Multiple external expansion modules make the POC-W22A-H81 meet every customer's needs.



● 3-in-1 Combo Card Reader

The 3-in-1 card reader that supports IC cards, magnetic cards and fingerprint eliminates unnecessary cables, and does not occupy any USB port on the I/O interface at the bottom of the POC-W22A-H81.

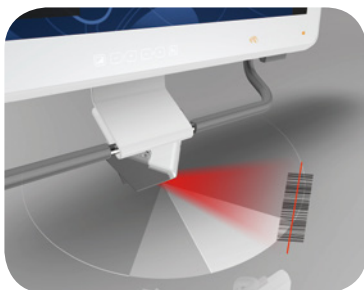


● Hug Style Cable Cover

Users can easily manage all the cables from the I/O ports, making it look fresh and allowing easier cleaning.

● Handle Module with Barcode Reader and Reading Light

Users can move panel PC easily. The barcode reader and the reading light module with adjustable operating angle can be used for multiple purposes.



- EZ Stand

The EZ stand which combines a cable management hole and slim outlook is designed for desk-based environments.



» A System with Care—Simple and Light, yet Powerful!

Through the minus design thinking, the design concept of the medical panel PC becomes pure and simple, making the POC-W22A-H81 look slim. Through the plus design thinking, the design concept of the external expansion capability becomes more flexible and much fit the customized requirements.

- Smooth Curves at the Back

The smooth curves perfectly shape the air vents and make users feel warm.

- Slim and Comfortable Sense of Touch

Slim and comfortable sense of touch makes users feel good while using it, and the clinician's view will not be blocked when moving the medical cart.



- Reserved Screw Holes for Customized Projects

Reserved screw holes for multiple modules, such as handset or sphygmomanometer, allow for customized installation capability.

- Privacy Cover for Webcam

The webcam cover protects the privacy of patients



» Pay High Attention to Users' Experiences and Integrate All the Suggestions from Industry-academic Cooperation

Intensive cooperation with the Chang Gung University School of Nursing and the professional medical centers' personnel at the beginning stage of development makes the product 100% ideal for users' requirements. Implement the innovative design thinking activity to develop unique product features and to improve product functions.



● Reduce the Occupation on the Desk of the Medical Cart

Integrating various modules into one entity saves more desk space of the medical cart and provides a convenient using environment.

● Easy Using

With the stable handle, users can easily adjust the using angle and the position of the POC-W22A-H81. This feature greatly reduces the effort required using two hands to move the system.



● Reading Light Support

The built-in reading light on the handle module provides lighting for a small area in a dark environment without bothering patients.

● Adjustable-angle Barcode Reader

The barcode reader on the handle module supports angle adjustment, with which users can scan the objects conveniently without moving the entire panel PC.



1. Bedside Infotainment

The highly-integrated POC-W22A-H81 can save time on cable-managing process. Its optional accessories also make the healthcare environment become more flexible and friendly.

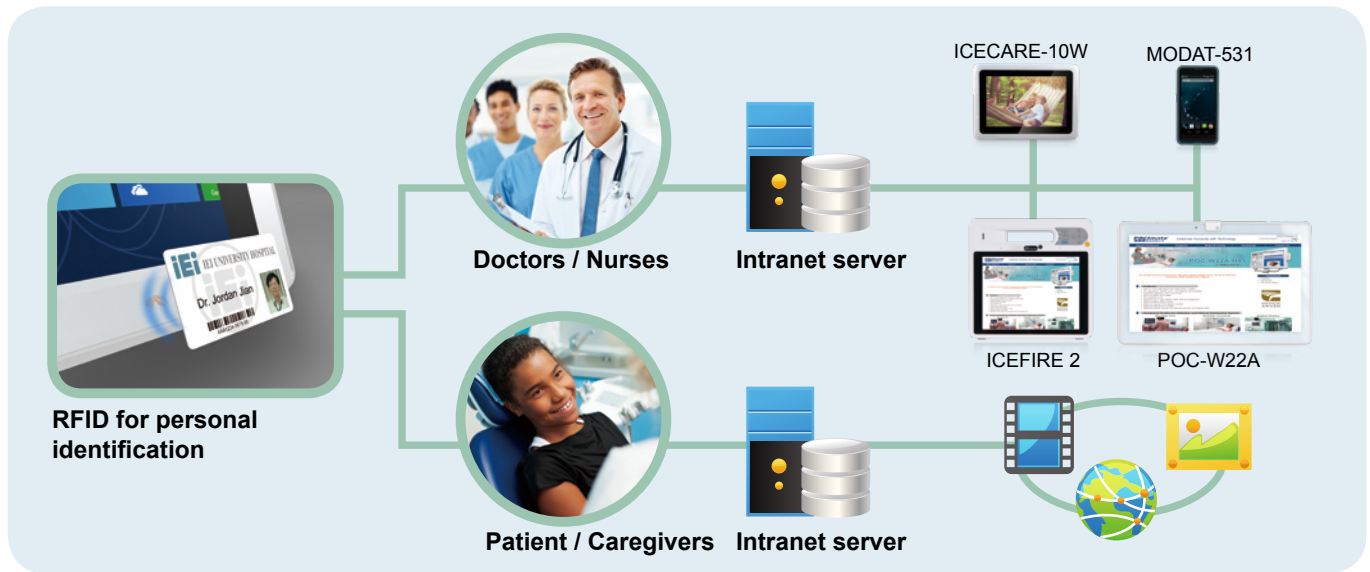


Through RFID, 3-in-1 card reader and Wi-Fi connection, doctors and nurses can log-in to the hospital information system to input medical checkup results, and to check the dosing records and other healthcare information. Nurses can also use barcode reader to collect relative information in the healthcare environment to eliminate human errors.



With the hospital system integrated, patients can check their medication records on the POC-W22A-H81 via RFID and the barcode reader. Through the Wi-Fi connection, patients can have their entertainment time as well. In addition, the multiple-fixed handle module offers great convenience to users so that they can adjust the using angle by just using a finger.

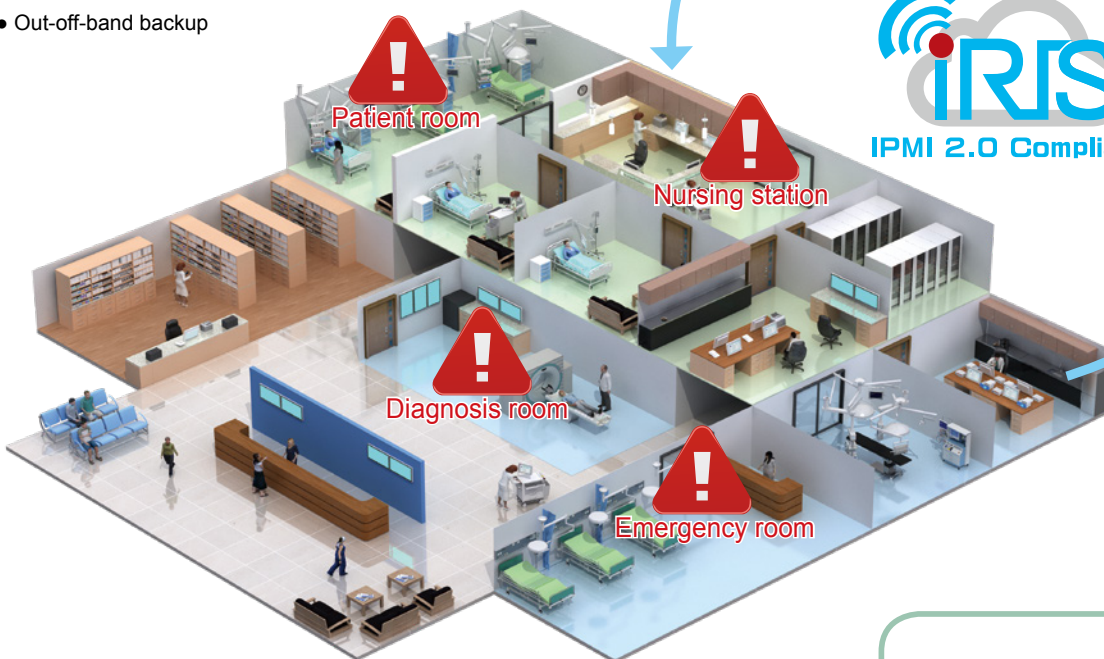
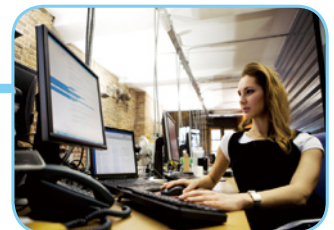
With various kinds of sensors (e.g. RFID and smart card reader), the IT personnel in hospitals can separate different loggers to different login path for data accessing. This application increases the safety of the data protection.



● Remote Diagnosis & Troubleshooting

iRIS remote troubleshooting solved 85% of issues

- Remote BIOS update
- Remote OS recovery
- Remote KVM + virtual media
- Out-off-band backup



The light, slim and smooth curves design with no inaccessible corners brings conveniences for the cleaning personnel and increases cleaning efficiency.



2. Nursing Cart Computer



Through RFID, 3-in-1 card reader and Wi-Fi connection, doctors and nurses can log-in to the hospital information system to input medical checkup results, and to check the dosing records and other healthcare information. Nurses can also use barcode reader to collect relative information in the healthcare environment to eliminate human errors.



Checking dosing information and recording the patient-care information usually happen hundreds of times in a nurse's daily work. If these repeated processes can be improved to make it friendlier, the working efficiency and convenience of the stressful nurses will be greatly increased. The handle module is integrated with a barcode reader and a reading light located near the working area instead of the side of the device, offering a great convenience for the repetitive work.



The PCAP touch helps nurses operate the devices like using their mobile phone. Nurses who wear the latex gloves can operate the user interface easily during their daily routine.



The light, slim and smooth curves design with no inaccessible corners brings conveniences for the cleaning personnel and increases cleaning efficiency.

3. Applications



Operating room



Pharmacy counter



Dialysis lab



Examination center

Specifications

Model		POC-W22A-H81	
LCD Specifications	LCD Display	21.5" (16:9)	
	Max Resolution	1920 (W) x 1080 (H)	
	Brightness (cd/m ²)	250	
	Contrast Ratio	1000 : 1	
	LCD Color	16.7M colors (RGB 6-bit)	
	Pixel Pitch (mm)	0.24825 (H) x 0.24825 (V)	
	Viewing Angle (H-V)	170°/160°	
Touch	Backlight MTBF (hrs)	30000 (LED backlight)	
	Touchscreen	Projected capacitive type with 10-point multi-touch	
	Touch Controller	EETI: EXC3188	
System	Surface Hardness	6H	
	CPU Support	Intel® desktop Core™ i7/i5/i3/Pentium®/Celeron® CPU with Intel® H81 chipset (Up to TDP 35W CPU)	
	Chipset	Intel® H81	
	RAM	Two 204-pin 1600/1333MHz dual-channel DDR3 SDRAM, 4GB pre-installed (system max.16GB)	
	I/O Port	1 x RS-232/422/485 2 x GbE LAN by RJ-45 (1 for iRIS) 1 x Power button 1 x VGA output	1 x HDMI output 1 x 12V~28V DC Jack 2 x USB 3.0 4 x USB 2.0 (2 on bottom and 2 on side) 1 x RJ-11 for barcode module
	Storage	1 x 2.5" SATA HDD bay	
	Audio	2 x 3W speaker	
	Webcam & Microphone	2-megapixel CMOS front-facing camera with auto-focus and digital microphone	
	Expansion Interface	1 x PCIe Mini for Wi-Fi module, 1 x PCIe Mini reserved	
	LED Indicator	2-light battery status LED, RFID indicator LED	
Other Features	MIFARE RFID	Optional: MIFARE 13.56 MHz card reader	
	Function Key	1 x LCD on/off 1 x Brightness up 1 x Brightness down 1 x Volume up 1 x Volume down 1 x Touch lock button for cleaning	Combinations: 1 x Lock/Unlock OSD 1 x Power on/off
	Light Sensor	Ambient light sensor for panel brightness adjustment	
	Battery	Optional built-in 54W battery pack (30 mins)	
	Remote Monitoring	1 x iRIS-2400 slot (iRIS remote management model)	
	Cooling Method	Smart Fan	
	Connectivity	Wi-Fi and Bluetooth	IEEE 802.11 a/b/g/n/ac 1T1R module with bluetooth V4.0 (PCIe half mini card)
Physical	Construction Material	ABS+PC plastic with anti-bacterial material	
	Mounting	Wall, Stand and Arm VESA 100mm x 100mm	
	Net Weight	7.3 kg	
	Dimensions (WxHxD)	542.5 mm x 349.5 mm x 52 mm	
Environment	Operating Temperature	0°C~40°C	
	Storage Temperature	-20°C~60°C	
	Humidity	10% to 95% (non-condensing)	
	Vibration	1G	
	Shock	Operating Shock: 5G peak acceleration (11ms duration) Non-Operating Shock: 15G peak acceleration (11ms duration)	
	IP Level	IP65 compliant front panel	
Power	Power Input	12V~28V DC input	
	Power Adapter	120W medical power adapter: Input: 100V~240V AC; Output: 19V DC	
Certificationa	<ul style="list-style-type: none"> • 47 CFR FCC Part 18 Class B, Subpart C • EN 60601-1-2:2007 + AC:2010 • CE (EN60601-1:2006+A11:2011+A1:2013+A12:2014; IEC 60601-1:2005 + CORR.1:2006 + CORR.2:2007 + AM1:2012) • ANSI/AAMI ES60601-1 (2005/(R)2012 + A1:2012, C1:2009/(R)2012 + A2:2010/(R)2012) • CAN/CSA-C22.2 NO.60601-1:14 • ISO 14971: 2007 • R.E.D 		

Ordering Information

Part No.	Description
POC-W22A-H81i-P/PC/4G-R12	21.5" 250cd/m ² FHD medical panel PC with Intel® H81 chipset, Intel® Pentium® G3320TE processor (dual core, 2.3 GHz, TDP 35W), two 2 GB DDR3 RAM, 802.11a/b/g/n/ac Wi-Fi module, projected capacitive touchscreen, 2M camera, microphone, support iRIS-2400, R12
POC-W22A-H81i-i3/PC/4G-R12	21.5" 250cd/m ² FHD medical panel PC with Intel® H81 chipset, Intel® Core™ i3-4330TE processor (dual core, 2.4 GHz, TDP 35W), two 2 GB DDR3 RAM, 802.11a/b/g/n/ac Wi-Fi module, projected capacitive touchscreen, 2M camera, microphone, support iRIS-2400, R12
POC-W22A-H81i-i5/PC/4G-R12	21.5" 250cd/m ² FHD medical panel PC with Intel® H81 chipset, Intel® Core™ i5-4570TE processor (dual core, 2.7 GHz, TDP 35W), two 2 GB DDR3 RAM, 802.11a/b/g/n/ac Wi-Fi module, projected capacitive touchscreen, 2M camera, microphone, support iRIS-2400, R12

Options

Number	Description
MEDP-HS-R10	USB interface VoIP phone and its holder, white
MEDP-CR-02-R10	Magnetic card reader/Smart card reader/Fingerprint sensor, white
MEDP-HD-R10	Metal handle covered with soft rubber
MEDP-HD-BR-R11	Metal handle covered with soft rubber, with barcode reader and reading light, White
MEDP-MF-RFID-R10	MIFARE RFID reader, 13.56MHz, with LED indicator, IEI assembly only
MEDP-TPM-R10	Trusted platform module kit, IEI assembly only
MEDP-BAT-R10	Li-Ion Battery, 3700mAh; Charging Voltage: above 16.8V; with LED indicator, IEI assembly only; RoHS
MEDP-EZS-R10	VESA 100 x 100 mm panel PC stand with a cable management hole, white
iRIS-2400-R10	IPMI 2.0 adapter card with AST2400 BMC chip for DDR3 SO-DIMM socket interface
POCP-CC01-R10	POC-W22A-H81 cable cover, white, plastic, R10
POC-W22A-H81-WES7P64-R10	OS Image with 64bit Windows Embedded Standard 7 P for POC-W22A-H81 Series, with DVD-ROM
POC-W22A-H81-WE8S64-R10	OS Image with 64bit Windows Embedded Standard 8 for POC-W22A-H81 Series, with DVD-ROM

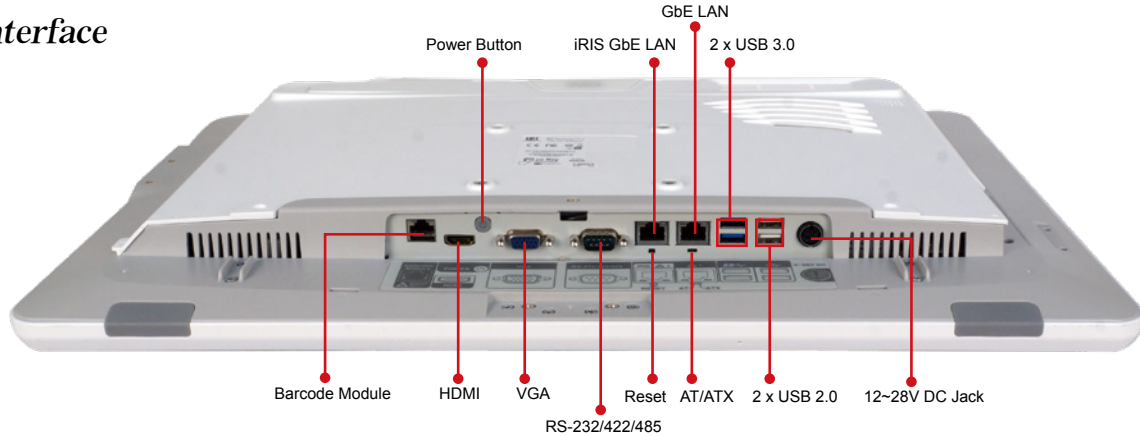
IQ Mounting Options

Item	Part No.
Wall Mount Kit	AFLWK-19B
Arm	ARM-31-RS
Stand	STAND-A21-R10

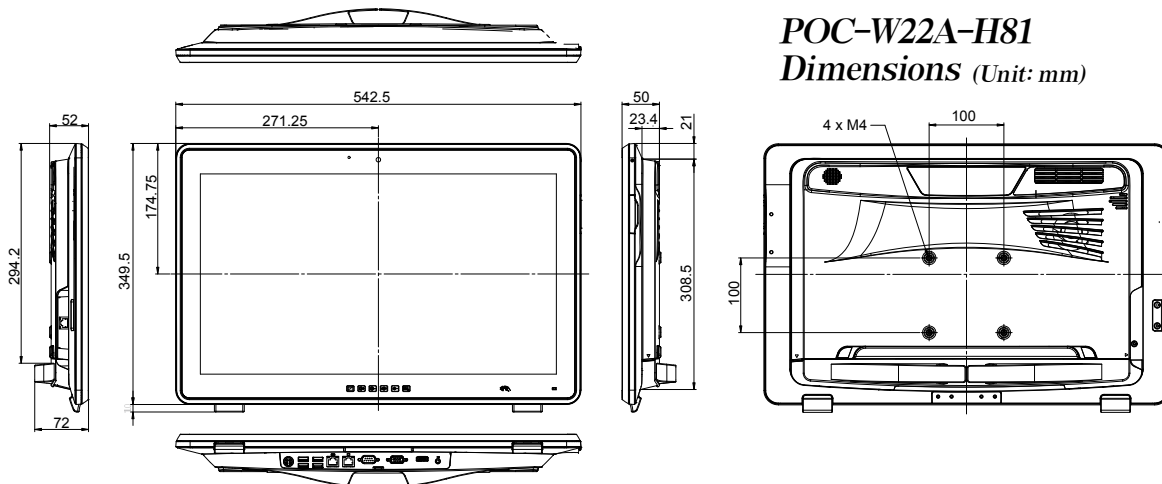
Packing List

Item	Part No.	Q'ty	Description
Power Adapter	63040-010120-010-RS	1	120W medical power adapter: Input: 100V~240V AC, Output: 19 V DC
Power Cord	32702-000200-100-RS	1	European power cords, 183 CM, C13

I/O Interface



POC-W22A-H81 Dimensions (Unit: mm)



Point-of-Care Terminal

POC-W24C-ULT3

24" Medical Panel PC with 6th Generation Intel® mobile ULT Core™ i7/i5/Celeron® processor

Features

- 24" fanless FHD medical grade panel PC
- Intel® Core™ i5-6300U (Skylake) processor
- PCAP touch allows multi-touch, multi-layer gloves and water on screen operation
- Anti-bacteria housing with IP65 front bezel and IP32 rear cover protection
- E-Window expansion slot



E-Window

Specifications

Model		POC-W24C-ULT3	
LCD Specifications	LCD Display	24"	
	Max Resolution	1920 (W) x 1080 (H)	
	Brightness (cd/m ²)	250	
	Contrast Ratio	1000:1	
	LCD Color	16.7M colors (RGB 6-bit + HI_FRC)	
	Pixel Pitch (mm)	0.2745 (H) x 0.2745 (V)	
	Viewing Angle (H-V)	178°(H) / 178°(V)	
Touch	Backlight MTBF (hrs)	30000 (LED backlight)	
	Touchscreen	Projected capacitive type with 10-point multi-touch	
System	Surface Hardness	6H	
	CPU Support	6th generation Intel® mobile ULT Core™ i7-6600U / Core™ i5-6300U / Celeron® 3855U 7th generation Intel® mobile ULT Kaby Lake on-board SoC (by project base)	
	RAM	Two 260-pin 1600/1333MHz dual-channel DDR4 SO-DIMM, 4GB pre-installed (system max. 32GB)	
	I/O Port	1 x RJ-11 for 1D/2D barcode reader	2 x GbE LAN port
		4 x USB 2.0 (2 on the side)	1 x RS-232/422/485
		4 x USB 3.0 port	1 x 12~28V DC jack
	Storage	1 x 2.5" SATA 6Gb/s HDD bay 1 x mSATA (E-Window)	
	Audio	2 x 3W Speaker	
Webcam & Microphone	5-megapixel CMOS front-facing camera with auto-focus and digital microphone		
Other Features	Expansion Interface	1 x PCIe Mini reserved for E-Window expansion	
	LED Indicator	RFID indicator	
	Function Key	1 x LCD on/off	Combinations:
		1 x Brightness up	1 x Lock/Unlock OSD
1 x Brightness down		1 x Power on/off	
1 x Volume up			
1 x Volume down			
Light Sensor	1 x Touch lock button for cleaning	Ambient light sensor for panel brightness adjustment	
Connectivity	Cooling Method	Fan-less	
Physical	Wi-Fi and Bluetooth	IEEE 802.11 a/b/g/n/ac 2T2R module with Bluetooth V4.1 (M.2 2230 A-E key module)	
	Construction Material	ABS+PC plastic with anti-bacterial material	
	Mounting	Wall, Stand and Arm VESA 100/75	
	Net Weight	7.5 Kg	
Environment	Dimensions (WxHxD) (mm)	594.6 x 379.6 x 60.68mm	
	Operating Temperature	0°C~40°C	
	Storage Temperature	-20°C~60°C	
	Humidity	10% to 95% (non-condensing)	
	Vibration	1G	
	Shock	Operating Shock: 5G peak acceleration (11ms duration) Non-Operating Shock: 15G peak acceleration (11ms duration)	
Power	IP Level	IP65 compliant front panel	
	Power Input	12V~28V DC input	
Certification	Power Adapter	120W medical power adapter: Input: 90V~264V AC, Output: 19V DC	
		CE, FCC Class B part 18, ANSI/AAMI ES60601-1 CAN/CSA-C22.2 No. 60601-1:14, IEC 60601-1-6/IEC62366, ISO 14971	

Ordering Information

Part No.	Description
POC-W24C-ULT3-C/PC/4G-R10	24" 250cd/m ² 1920 x 1080 panel PC with 6th generation 14nm Intel® mobile Celeron™ 3855U (15W) on-board processor (ULT), one 4GB DDR4 RAM, 802.11 a/b/g/n/ac WiFi module, PCAP touchscreen, 5-megapixel camera, microphone, R10
POC-W24C-ULT3-i5/PC/4G-R10	24" 250 cd/m ² 1920 x 1080 panel PC with 6th generation 14nm Intel® mobile Core™ i5-6300U (15W) on-board processor (ULT), one 4GB DDR4 RAM, 802.11a/b/g/n/ac WiFi module, PCAP touchscreen, 5-megapixel camera, microphone, R10
POC-W24C-ULT3-i7/PC/4G-R10	24" 250 cd/m ² 1920 x 1080 panel PC with 7th generation 14nm Intel® mobile Core™ i7-6600U (15W) on-board processor (ULT), one 4GB DDR4 RAM, 802.11a/b/g/n/ac WiFi module, PCAP touchscreen, 5-megapixel camera, microphone, R10

Options

Part Number	Description
MEDP-HS-R10	USB interface VoIP phone and its holder, white
MEDP-CR-02-R10	Magnetic card reader/Smart card reader/Fingerprint sensor, white
MEDP-HD-R10	Metal handle covered with soft rubber
MEDP-HD-BR-R11	Metal handle covered with soft rubber, with barcode reader and reading light, white
MEDP-MF-RFID-03-R10	Mifare RFID reader, 13.56MHz, with LED indicator, 200mm antenna, RFID & LED cable, IEI assembly only
MEDP-TPM-03-R10	Trusted platform module kit with 150mm cable, IEI assembly only
MEDP-EZS-R10	VESA 100 x 100 mm panel PC stand with a cable management hole, white
POC-17C-ULT3-W10E64-V-R10	OS Image with Windows Embedded Standard 10 E Value 64-bit for POC-17C/W24C Series, with DVD-ROM, RoHS

IQ Mounting Options

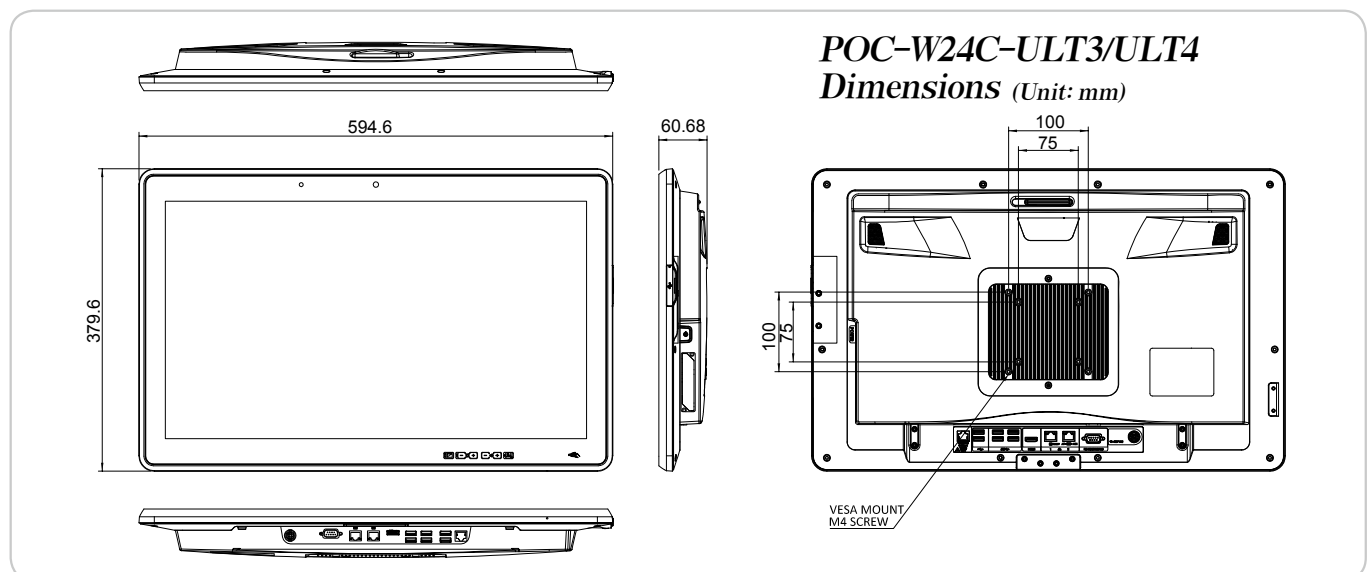
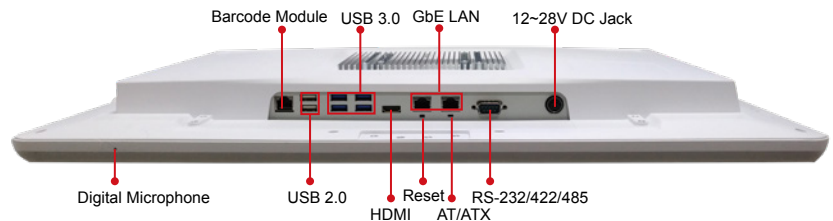
Item	Part No.
Wall Mount Kit	AFLWK-19B
Arm	ARM-31-RS
Stand	STAND-A21-R10

Packing List

Item	Part No.	Q'ty	Description
Power Adapter	63040-580120-000-RS	1	120W medical power adapter: Input: 90V~264V AC, Output: 19 V DC
Power Cord		1	European power cords, 183 CM, C13



I/O Interface



Mobile Point-of-Care Terminal

NEW

POCm-W22C-ULT3 | 22" Medical Panel PC with 6th Generation Intel® mobile ULT Core™ i7/i5/Celeron® processor

POCm-W24C-ULT3 | 24" Medical Panel PC with 6th Generation Intel® mobile ULT Core™ i7/i5/Celeron® processor

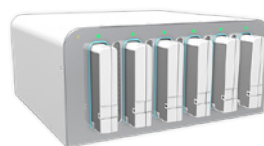
Features

- 22" and 24" FHD fanless panel PC
- Intel® Celeron®, Core™ i5/i7 Skylake processor
- PCAP touch allows multi-touch, multi-layer gloves and water-on-screen operation
- Anti-bacteria housing with IP65 front bezel and IP32 rear cover protection
- Three hot-swappable batteries with a total runtime of 8 hours is ideal for non-powered medical carts



» Key Features

3 hot-swappable batteries that can provide sufficient power, and the ergonomic side-facing design ease the use for nurses with different height. Compared to the LiFePO4 battery of the traditional nursing cart, the batteries installed on the POCm have better design by reducing more than 5 kilograms of weight. The battery docking station can perform fast charging, taking only 3.5 hours from 0 to 100%.



• Lightweight Design

Traditionally, the battery of working station is bulky and occupies space. The hot-swappable batteries makes POCm series an ideal medical cart computer for decreasing the total weight up to 5 kg.

LiFePO4 6.5kg!

V.S

3 pcs Lithium-ion 1.38kg

5 kg reduction

• Highly Integration

POCm series product is a highly integrated PPC. When building a mobile working station, the easy installation steps prevent you from facing the trouble of integrating different components and messy cabling.



• Cost Effective

The typical price range of nursing cart battery is more than USD 600 (after service included). Our anti-bacteria battery saves more than USD 400 cost. Charging dock design meets the need of medical context and relieves the waste of time and efforts going back and forth between nursing station and ward.



Specifications

Model		POCm-W22C-ULT3	POCm-W24C-ULT3	
LCD Specifications	LCD Display	21.5" (16:9)	23.8"	
	Max Resolution	1920 (W) x 1080 (H)	1920 (W) x 1080 (H)	
	Brightness (cd/m ²)	250	250	
	Contrast Ratio	1000:1	1000:1	
	LCD Color	16.7M colors (RGB 6-bit)	16.7M colors (RGB 6-bit)	
	Pixel Pitch (mm)	0.24825 (H) x 0.24825 (V)	0.2745 (H) x 0.2745 (V)	
	Viewing Angle (H-V)	170°/160°	178°(H) / 178°(V)	
	Backlight MTBF (hrs)	30000 (LED backlight)	30000 (LED backlight)	
Touch	Touchscreen	Projected capacitive type with 10-point multi-touch		
	Surface Hardness	6H		
System	CPU Support	6th Generation Intel® mobile ULT Core™ i7-6600U / Core™ i5-6300U and /Celeron® 3855U		
	RAM	1 x 4GB, 260-pin 2133/1866 MHz dual-channel DDR4 non-ECC unbuffered SO-DIMMs (system max. 32GB)		
	LAN Controller	1 x Intel® Ethernet Controller I219, 1 x Intel® Ethernet Controller I211		
	I/O Port	Bottom I/O	Other	
		1 x DC Jack 2 x HDMI out 2 x GbE LAN port 2 x RS232/422/485 4 x USB 3.0 port	2 x USB 2.0 port (side) 1 x Audio out (side) + 1 x Mic in (side) 1 x Digital Mic (front, bottom)	
	Storage	1 x 2.5" Accessible SATA HDD bay 2 x M-key M.2 2242/60/80 (PCIe+SATA) with RAID		
	Audio	2 x 3W Speaker		
	Webcam & Microphone	5-megapixel CMOS front-facing camera with auto-focus and digital microphone		
	Expansion Interface	1 x Full-size/half-size PCIe Mini (PCIe+USB)		
	LED Indicator	1 x RFID indicator 3 x Battery indicator (Color : Blue/Red) 1 x Power Indicator		
Other Features	Cooling Method	Fan-less		
Connectivity	Wi-Fi and Bluetooth	IEEE 802.11 a/b/g/n/ac 2T2R module with Bluetooth V4.2 (M.2 2230)		
Physical	Construction Material	ABS+PC plastic with anti-bacterial material		
	Mounting	Wall, Stand and Arm VESA 75/100		
	Net Weight	7.07 kg without batteries 8.43 kg with 3 batteries	8.18 kg without batteries 9.53 kg with 3 batteries	
		Dimensions (WxHxD) (mm)	543 x 350 x 71 mm	594.6 x 379.6 x 71 mm
Environment	Operating Temperature	0°C~40°C		
	Storage Temperature	-20°C~60°C		
	Humidity	10% to 90% (non-condensing)		
	Vibration	1G		
	Shock	Operating Shock: 5G peak acceleration (11ms duration) Non-Operating Shock: 10G peak acceleration (11ms duration)		
	IP Level	Front: IP65, Back: IP32		
Power	Power Input	19V DC input		
	Power Adapter	150W medical power adapter		
	Battery	3 slots for Li-ion battery pack		
Certification		CE, FCC Class B part 18, ANSI / AAMI ES60601-1 CAN/CSA-C22.2 No. 60601-1:14, IEC 60601-1-6 / IEC62366, ISO 14971		

Ordering Information

Part No.	Description
POCm-W22C-ULT3-C/PC/4G-R10	21.5" 250cd/m ² FHD medical panel PC with 6th generation 14nm Intel® mobile Celeron® 3855U (15W) 1.6GHz on-board processor (ULT),one 4GB DDR4 RAM,802.11a/b/g/n/ac Wi-Fi module,PCAP touchscreen,5-megapixel camera,microphone,w/o battery,R10
POCm-W22C-ULT3-i5/PC/4G-R10	21.5" 250cd/m ² FHD medical panel PC with 6th generation 14nm Intel® mobile Core™i5-6300U (15W) 2.4GHz on-board processor (ULT),one 4GB DDR4 RAM,802.11a/b/g/n/ac Wi-Fi module,PCAP touchscreen,5-megapixel camera,microphone,w/o battery,R10
POCm-W22C-ULT3-i7/PC/4G-R10	21.5" 250cd/m ² FHD medical panel PC with 6th generation 14nm Intel® mobile Core™i7-6600U (15W) 2.6GHz on-board processor (ULT),one 4GB DDR4 RAM,802.11a/b/g/n/ac Wi-Fi module,PCAP touchscreen,5-megapixel camera,microphone,w/o battery,R10
POCm-W24C-ULT3-C/PC/4G-R10	24" 250cd/m ² FHD medical panel PC with 6th generation 14nm Intel® mobile Celeron® 3855U (15W) 2.4GHz on-board processor (ULT),one 4GB DDR4 RAM,802.11a/b/g/n/ac Wi-Fi module,PCAP touchscreen,5-megapixel camera,microphone,w/o battery,R10
POCm-W24C-ULT3-i5/PC/4G-R10	24" 250cd/m ² FHD medical panel PC with 6th generation 14nm Intel® mobile Core™i5-6300U (15W) 2.4GHz on-board processor (ULT),one 4GB DDR4 RAM,802.11a/b/g/n/ac Wi-Fi module,PCAP touchscreen,5-megapixel camera,microphone,w/o battery,R10
POCm-W24C-ULT3-i7/PC/4G-R10	24" 250cd/m ² FHD medical panel PC with 6th generation 14nm Intel® mobile Core™i7-6600U (15W) 2.6GHz on-board processor (ULT),one 4GB DDR4 RAM,802.11a/b/g/n/ac Wi-Fi module,PCAP touchscreen,5-megapixel camera,microphone,w/o battery,R10

Options

Part Number	Description
MEDP-HS-R10	USB interface VoIP phone and its holder, white
MEDP-CR-02-R10	Magnetic card reader/Smart card reader/Fingerprint sensor for BIS-W19C, White
MEDP-MF-RFID-R10	MIFARE RFID reader, 13.56MHz, with LED indicator, IEI assembly only
MEDP-TPM-R10	Trusted platform module kit, IEI assembly only
MEDP-EZS-R10	VESA 100 x 100 mm panel PC stand with a cable management hole, white
MEDP-HSBAT-R10	3S3P Li-ion battery pack, 11.1V, 7800mAh, Eco packing should be purchase base on 14 pcs (Per box) or multiple of 14 per order.
POCm-DOCKING-6BAY-R10	6-slot battery charger, LED indicator, 15V/280W power adapter
POCm-W22C-ULT3-W10E64-V-R10	OS image with 64bit Windows 10 IOT Enterprise for POCm series, with DVD-ROM
POCP-CC05-R10	Cable cover, white, plastic, R10
31603-000069-RS	3S3P Li-ion battery pack, 11.1V, 7800mAh, ATO only

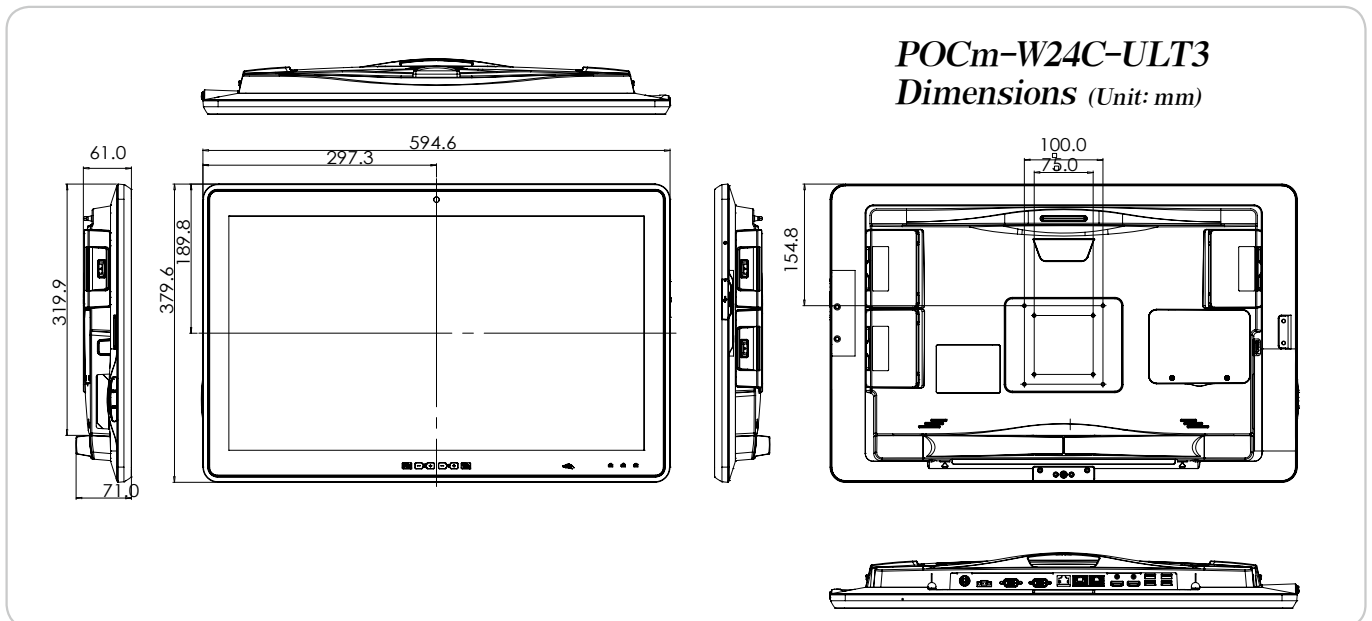
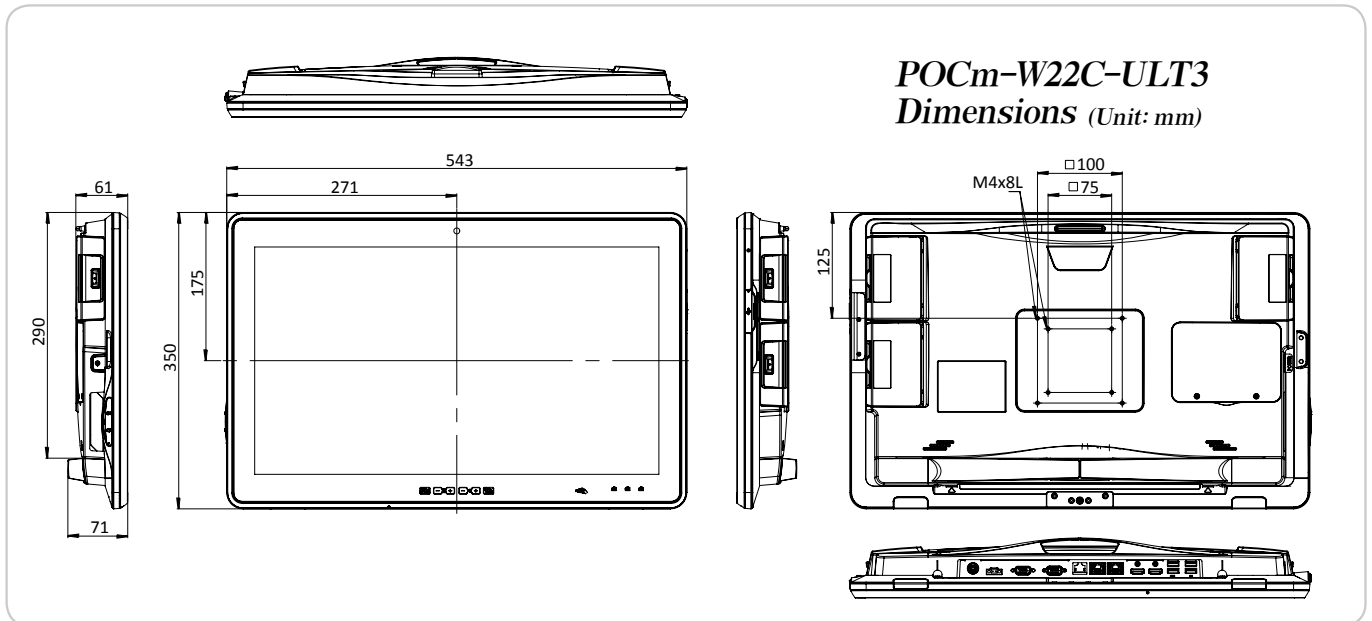
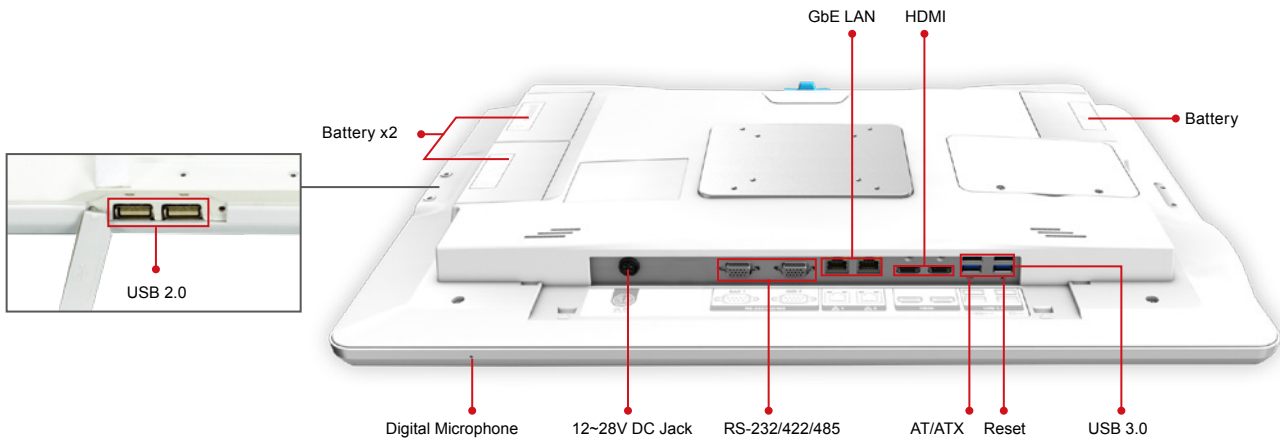
IQ Mounting Options

Item	Part No.
Wall Mount Kit	AFLWK-19B
Arm	ARM-31-RS
Stand	STAND-A21-R10

Packing List

Item	Q'ty	Description
Power Adapter	1	150W medical power adapter
Power Cord	1	European power cords, 183 CM, C13

POCm-W22C-ULT3 / POCm-W24C-ULT3
I/O Interface



Bedside Infotainment Terminal

NEW

BIS-W19C-ULT4

18.5" Medical Panel PC with 7th Generation Intel® mobile ULT Core™ i5/Celeron® processor

Features

- 18.5" 16:9 LED panel (1366 x 768 / 1920 x 1080)
- 7th generation Intel® Core™ i5-7300U and Celeron® 3865 CPU
- Projected capacitive touchscreen supports multi-touch
- IP65 compliant front bezel
- Anti-bacteria cover
- HDMI input supported (monitor mode)
- Optional 3-in-1 card reader: MSR, SCR and fingerprint
- Optional Mifare RFID module
- Optional VoIP phone handset
- Optional handle module with barcode scanner and reading light



» Monitor Mode Application

Dual System Redundancy

Embedded System



Wireless Video/Audio

Airplay
Miracast / DLNA
HDMI Dongle



Small screen to the big screen

Smartphone/
IPAD / iPhone



HDMI Source








For HDMI input function, we put a physical on the bottom to make the mode switching process more smoothly and friendly.



PC mode





Monitor mode

- Wireless TX/RX Module
- HDMI input/output
- EMR Carrier
- Operation Room Teaching & Observation

» Applications



● Push notification services for patients

Inpatients may need health education from hospital or reading the preoperative notice before surgery. The BIS-W19C-ULT3 could be integrated with the hospital server to realize these functions, with which most of the action of health education could be digitized to reduce human resources.



● HIS/NIS system for nurses

Most of the hospitals make use of digital information system to avoid human error and to optimize caring flow. The BIS-W19C-ULT3 could be integrated with the HIS/NIS system, from which clinicians can easily check doctors' prescriptions and record patients' vital information to the data center directly.



● Entertainment for patients

Inpatients in the hospital may have plenty of time except consultation of doctors or doing a surgery, which means inpatients also need some entertainments. The BIS-W19C-ULT3 could be integrated with the bedside software applications which aggregate various functions that inpatients may need. The bedside solution could offer inpatients all the daily requirements.



● Patient counseling discussion

Ward rounds are a major daily work of doctors. It is difficult for the doctor to carry all patients' medical information during ward rounds. The generation of digital healthcare is happening. The doctor can just bring a tablet during ward rounds to explain all the medical conditions to each inpatient. Wireless video streaming to a bigger screen helps doctors, inpatients and family members have a more convenient discussing environment.

Specifications

Model		BIS-W19C-ULT4	
LCD Specifications	LCD Display	18.5" (16:9)	
	Max Resolution	1366 (W) x 768 (H) / 1920 (W) x 1080 (H)	
	Brightness (cd/m ²)	250 / 350	
	Contrast Ratio	1000:1	
	LCD Color	16.7M colors (RGB 6-bit) / 16.7M colors (RGB true 8-bit)	
	Pixel Pitch (mm)	0.3 (H) x 0.3 (V) / 0.213 (H) x 0.213 (V)	
	Viewing Angle (H-V)	170°(H) / 160°(V), 178°(H) / 178°(V)	
	Backlight MTBF (hrs)	30000 (LED backlight) / 50000 (LED backlight)	
Touch	Touchscreen	Projected capacitive type with USB interface	
	Surface Hardness	6H	
System	CPU Support	Intel® Kabylake ULT platform Core™ i5-7300U and Celeron® 3865U	
	RAM	Two 260-pin 2133/1866 MHz dual-channel DDR4 non-ECC unbuffered SO-DIMMs (system max. 32GB)	
	I/O Port	Rear	1 x 1.5kV isolation COM port 1 x 12~28V DC Jack 1 x GbE LAN port 2 x USB 3.0 port
		Bottom	1 x RJ-11 for barcode scanner (1D/2D) 1 x GbE LAN port 2 x USB 3.0 port 1 x HDMI output
		Side	1 x HDMI input 2 x USB 2.0 port 1 x Audio out 1 x Mic in
	Storage	1 x 2.5" SATA 6Gb/s HDD bay 1 x mSATA (Reserved)	
	Audio	2 x 2W speaker	
	Webcam & Microphone	2-megapixel CMOS front-facing camera with auto-focus and digital microphone	
	LED Indicator	RFID indicator LED	
	Other Features	Monitor Mode	Yes
Function Key		1 x LCD on/off 1 x Brightness up 1 x Brightness down 1 x Volume up 1 x Volume down 1 x Touch lock button for cleaning	
		Combinations: 1 x Auto-dimming on/off	
Light Sensor		Ambient light sensor for panel brightness adjustment	
Cooling Method		Fan-less	
Connectivity	Wi-Fi and Bluetooth	IEEE 802.11 a/b/g/n/ac 2T2R module with Bluetooth V4.1 (M.2 2230 A-E key module)	
Physical	Construction Material	ABS+PC plastic with anti-bacterial material	
	Mounting	Wall, Stand and Arm VESA 100/75	
	Net Weight	6.5 kg	
	Dimensions (WxHxD) (mm)	478.6 x 317.3 x 60.1	
Environment	Operating Temperature	0°C~40°C	
	Storage Temperature	-20°C~60°C	
	Humidity	10% to 95% (non-condensing)	
	Vibration	1G	
	Shock	Operating Shock: 5G peak acceleration (11ms duration) Non-Operating Shock: 15G peak acceleration (11ms duration)	
	IP Level	IP65 compliant front panel	
Power	Power Input	12V~28V DC input	
	Power Adapter	120W medical power adapter: Input: 100V~240V AC, Output: 19V DC	

Ordering Information

Part No.	Description
BIS-W19CF-ULT4-C/PC/4G-R10	18.5" 350 cd/m ² 1920 x 1080 panel PC with 7th generation 14nm Intel® mobile Celeron® 3865U (15W) on-board processor (ULT), one 4GB DDR4 RAM, 802.11a/b/g/n/ac Wi-Fi module, PCAP touchscreen, 2-megapixel camera, microphone, R10
BIS-W19CF-ULT4-i5/PC/4G-R10	18.5" 350 cd/m ² 1920 x 1080 panel PC with 7th generation 14nm Intel® mobile Core™ i5-7300U (15W) on-board processor (ULT), one 4GB DDR4 RAM, 802.11a/b/g/n/ac Wi-Fi module, PCAP touchscreen, 2-megapixel camera, microphone, R10
BIS-W19C-ULT4-C/PC/4G-R10	18.5" 250 cd/m ² 1366 x 768 panel PC with 7th generation 14nm Intel® mobile Celeron® 3865U (15W) on-board processor (ULT), one 4GB DDR4 RAM, 802.11a/b/g/n/ac Wi-Fi module, PCAP touchscreen, 2-megapixel camera, microphone, R10
BIS-W19C-ULT4-i5/PC/4G-R10	18.5" 250 cd/m ² 1366 x 768 panel PC with 7th generation 14nm Intel® mobile Core™ i5-7300U (15W) on-board processor (ULT), one 4GB DDR4 RAM, 802.11a/b/g/n/ac Wi-Fi module, PCAP touchscreen, 2-megapixel camera, microphone, R10

Options

Number	Description
MEDP-HS-R10	USB interface VoIP phone and its holder, white
MEDP-CR-02-R10	Magnetic card reader/Smart card reader/Fingerprint sensor, white
MEDP-HD-R10	Metal handle covered with soft rubber
MEDP-HD-BR-R11	Metal handle covered with soft rubber, with barcode reader and reading light, White
MEDP-MF-RFID-04-R10	Mifare RFID reader, 13.56MHz, with LED indicator and 100mm antenna, IEI assembly only
MEDP-TPM-04-R10	Trusted platform module kit with 300mm cable, IEI assembly only
MEDP-EZS-R10	VESA 100 x 100 mm panel PC stand with a cable management hole, white
BIS-W19C-ULT4-W10E64-V-R10	OS Image with Windows Embedded Standard 10 E Value 64-bit for BIS-W19C, with DVD-ROM, RoHS
POCP-CC04-R10	BIS-19C-ULT4 cable cover, white, plastic, R10

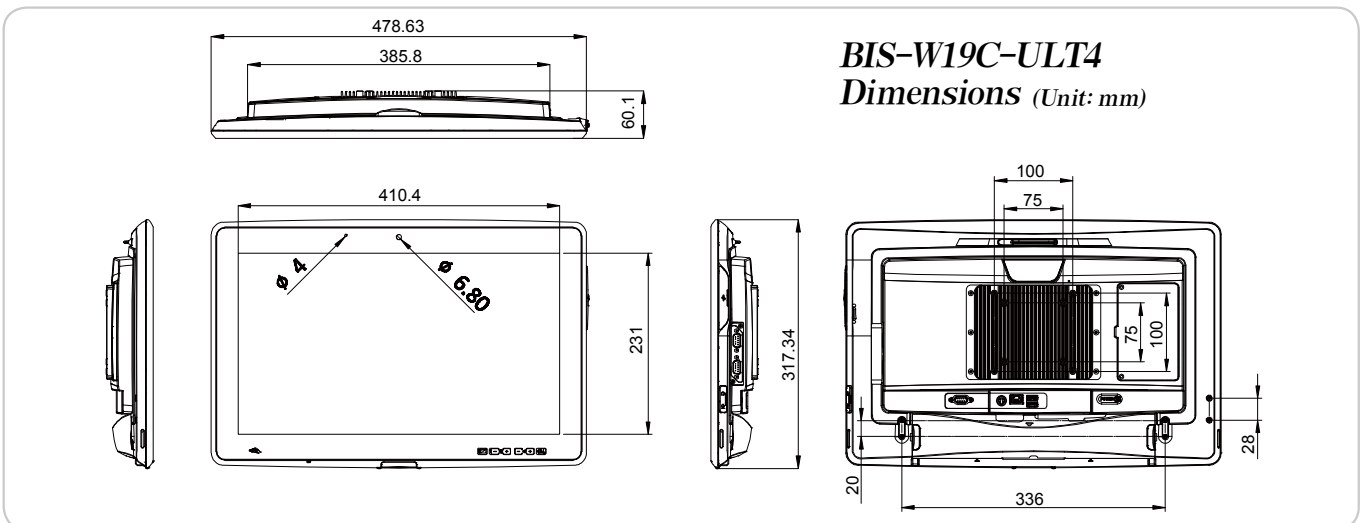
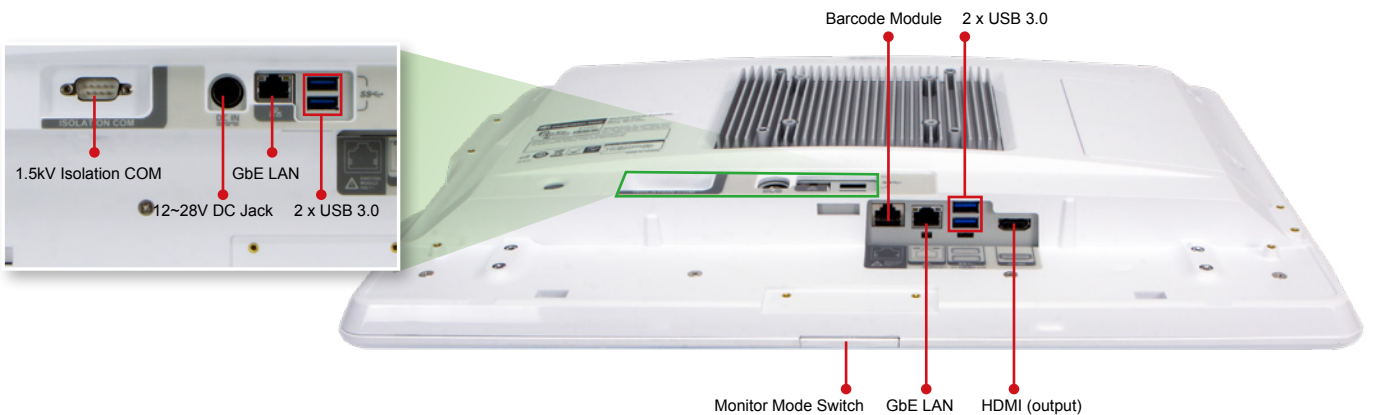
IQ Mounting Options

Item	Part No.
Wall Mount Kit	AFLWK-19B
Arm	ARM-31-RS
Stand	STAND-A21-R10

Packing List

Item	Part No.	Q'ty	Description
Power Adapter		1	120W medical power adapter: Input: 90V~264V AC, Output: 19 V DC
Power Cord		1	European power cords, 183 CM, C13

I/O Interface



Medical Box PC

HTB-100-HM170 | Fanless Quad Core Box PC

Features

- Medical grade with high performance fanless embedded computing
- 6th Gen Intel® Core™ processor platform with Intel® HM170 chipset and DDR4 memory
- Triple independent display with high resolution support
- Isolated COM ports for enhancing safety among devices
- Optional PCIe x16 expansion slot supports more flexible functions



» Smart & Friendly Design! HTB-100 brings you more satisfaction

Isolated COM ports, rich I/O interface, and multiple expansions are built in to the HTB-100. The intelligent HTB-100 medical computing system will meet all demands from the medical applications.



• Compliant with medical standards

The HTB-100 is compliant with medical standards, including IEC 60601-1 V3.1, IEC 60601-1-2 V4.0, IEC 62304, IEC 62366, ISO 14971 and FCC part 18 class B, making the medical environment more reliable.

• Flexible expansion

The flexible expansion is one of the advantages of the HTB-100 for medical applications. The HTB-100 reserves a PCIe x16 slot for add-on card expansions, such as capture card for medical imaging inspection during surgery.

• Waterproof top cover

The HTB-100 is equipped with a waterproof top cover in order to prevent any damage from cleaning or liquid which may indirectly affect patients. The HTB-100 can meet flat design and reduce maintenance effort.

• Cable cover for easy cabling

The cable cover protects the HTB-100 from dust and liquid ingress, and allows the medical staff to easily manage all the cables from the I/O ports, making the cleaning process more convenient in medical environment.



» Powerful system design capability with innovative technology



• Isolated COM ports for safety protection

The COM ports support 2.5kV isolation that meets medical standard (IEC 60601-1-2 V4.0). The isolated ports can increase safety on device designed for medical environment, and provide comprehensive protection against electrical surges for patients and medical staffs.

• Fanless and easy maintenance

The HTB-100 is a fanless embedded system, and the heatsink is situated on the bottom side. The design makes the HTB-100 an easy-to-clean and reliable system for the medical environment.

• Ground pin to prevent harm to patients and medical staffs

The perfect grounding pin design can avoid current from the HTB-100 to vital devices which connect to patients, and to avoid the current damage from other devices.

• Easy mounting design

Various mounting methods such as desktop and wall mount are supported for easy use in medical environment. The provided flexible mounting bracket can be oriented 180 degrees to change from desktop to wall mount.



Specifications

	Model	HTB-100-HM170
Physical	Color	Silver+Greyish blue
	Dimensions (WxDxH)	294 x 209 x 90.2
	Net Weight	2.2 kg
	System Fan	Fanless
	Chassis Construction	Extruded aluminum alloy
Motherboard	CPU	Intel® Core™ i7-6822EQ (2 GHz, quad-core, TDP=25) Intel® Core™ i5-6442EQ (1.9 GHz, quad-core, TDP=25)
	Chipset	Intel® HM170
	System Memory	2 x 260-pin DDR4 SO-DIMM, one 4 GB pre-installed (system max: 32GB)
Storage	Hard Drive	1 x 2.5" SATA 6Gb/s HDD/SSD bay
I/O Interfaces	USB 3.0	4
	USB 2.0	2
	Ethernet	2 x RJ-45 PCIe GbE by Intel® I211 controller
	COM Port	2 x RS-232 (DB-9, with 2.5 kV isolation) 2 x RS-232/422/485 (DB-9, with 2.5 kV isolation)
	Display	1 x VGA, 1 x HDMI 2.0, 1 x iDP (optional)
	Resolution	VGA: Up to 1920 x 1200@60HZ HDMI 2.0: Up to 4096 x 2160@60Hz
	Audio	Realtek ALC662, 5.1-channel High Definition Audio (HDA), Line-in, Line-out, Mic-in
	Wireless	1 x 802.11a/b/g/n/ac 2T2R (optional)
	PCIe	1 x PCIe x16
Expansions	PCIe Mini	1 x Half-size PCIe Mini 1 x Full-size PCIe Mini (supports mSATA, colay with SATA)
	M.2	1 x M.2 A & E key (2230/ USB or PCIe)
	Power Input	DC Jack: 12~28V DC
Power	Power Consumption	19V@4.4A (Intel® Core™ i7-6822EQ with 4 GB memory)
	Adapter	Adapter Power; Vin:90~264VAC; 150W; Dim:85*170*42.5mm; Plug=6.5mm; Cable=1200mm; MEDICAL; Vout:19VDC; Din 4Pin/lock; CCL; R10
Reliability	Mounting	Wall mounting
	Operating Temperature	0°C ~ 40°C with air flow (SSD), 10% ~ 95%, non-condensing
	Storage Temperature	-40°C ~ 70°C with air flow (SSD), 10% ~ 90%, non-condensing
	Operating Shock	Half-sine wave shock 5G; 11ms; 100 shocks per axis
	Operating Vibration	MIL-STD-810G 514.6 C-1 (with SSD)
Safety / EMC	CE, FCC class B part 18, IEC 60601-1 V3.1, IEC 60601-1-2 V4.0, IEC 62304, ISO 14971	
OS	Supported OS	Microsoft® Windows 8, Microsoft® Embedded Standard 7

Ordering Information

Part No.	Description
HTB-100-HM170-i5/4G-R10	Ruggedized fanless embedded system with Intel® Core™ i5-6442EQ 1.9 GHz (up to 2.7 GHz, quad core, TDP 25W), 4GB DDR4 pre-installed memory, one PCIe x16 expansion, VGA/HDMI/iDP, COM port, 12~28V DC, Adapter Power; Vin:90~264VAC; 150W; Dim:85*170*42.5mm; Plug=6.5mm; Cable=1200mm; MEDICAL; Vout:19VDC; Din 4Pin/lock; CCL; R10
HTB-100-HM170-i7/4G-R10	Ruggedized fanless embedded system with Intel® Core™ i7-6822EQ 2.0 GHz (up to 2.8 GHz, quad core, TDP 25W), 4GB DDR4 pre-installed memory, one PCIe x16 expansion, VGA/HDMI/iDP, COM port, 12~28V DC, Adapter Power; Vin:90~264VAC; 150W; Dim:85*170*42.5mm; Plug=6.5mm; Cable=1200mm; MEDICAL; Vout:19VDC; Din 4Pin/lock; CCL; R10

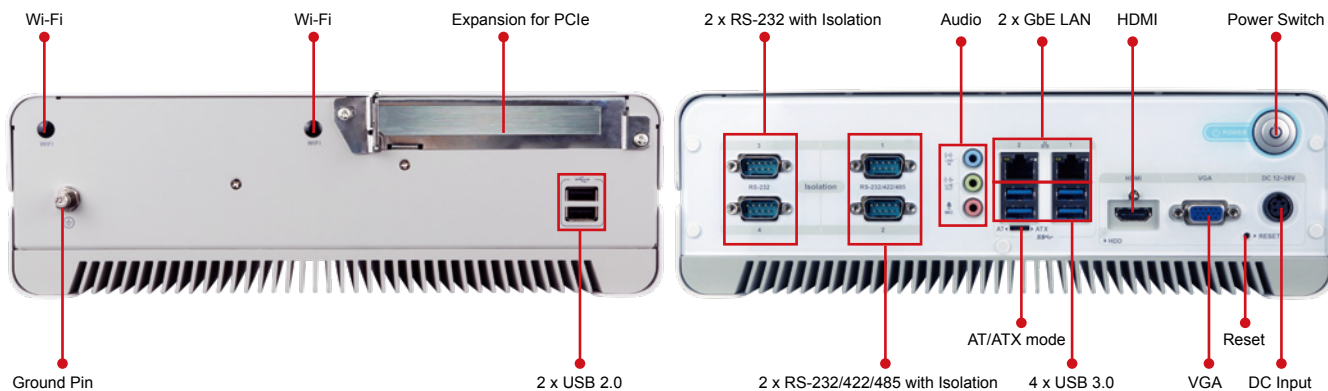
Options

Part No.	Description
41008-0803K6-00-RS	Cable COVER; HTB-100ME; White; R10

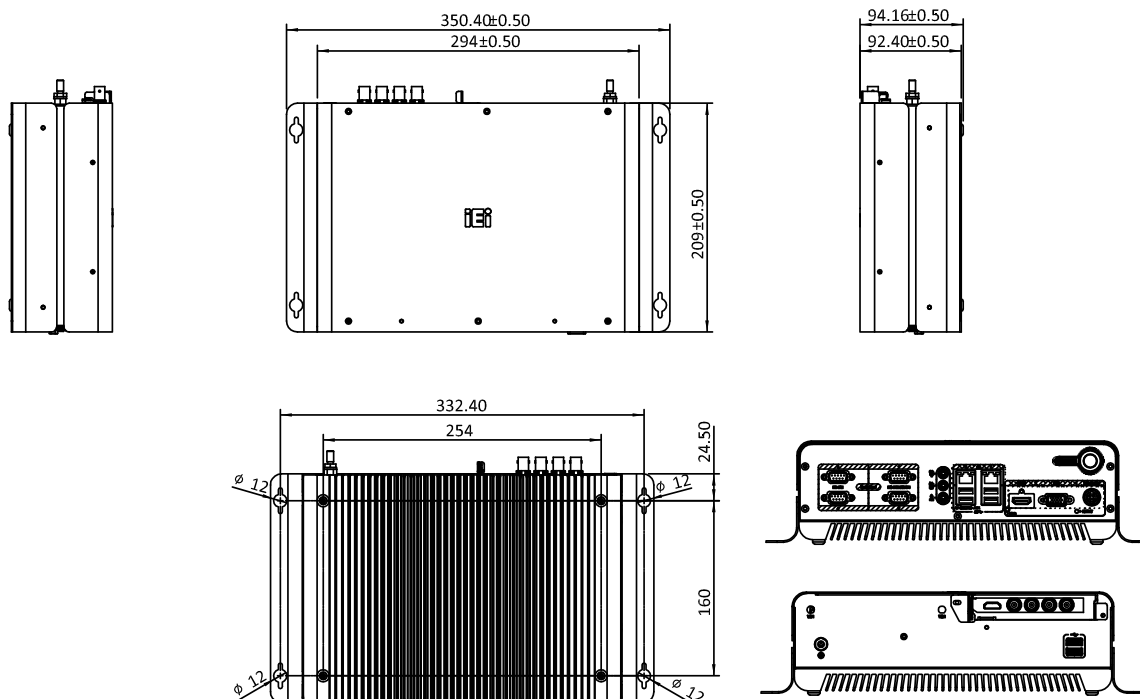
Packing List

1 x Chassis Screw	1 x Mounting Bracket
-------------------	----------------------

I/O Interface



HTB-100-HM170 Dimensions (Unit: mm)



Medical Barcode Reader

HTDB-100FM

Handheld 1D/2D Barcode Reader, 1280x1024, 10 ~ 270 mm Reading Distance, USB Interface



Features

- Read 1D, 2D barcodes on paper and mobile phones
- Strong ability to read barcodes and to fast decode broken, curved and blurry printed barcode
- Read multiple barcodes by holding the trigger
- IP41 rating against dust and moisture
- Rugged design, 1.8 m/5.9 ft. drop to concrete
- Ergonomic and beautiful design for long time usage, suitable for left- and right-handed users
- Medical grade design: Anti-bacterial surface (HTDB-100FM)

7/8.1
Windows

32/64
Bit

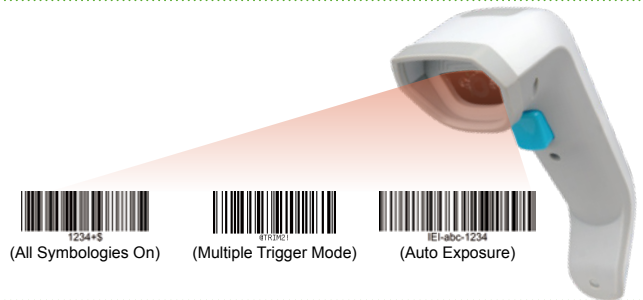
1D Barcode
Reader

2D Barcode
Reader

IP64

Easy Setting for Barcode Preference or Symbology

To configure the barcode reader, simply scan the corresponding barcode symbols listed in the user manual. For example, if the user needs to set the exposure mode to automatic, just scan the Auto Exposure barcode.



HTDB-100FM Decode Range

HTDB-100FM Decode Range	mil	Distance (mm)
code39 (Calibration Test Cards)	7.5	30 mm - 145mm
code128 (Calibration Test Cards)	7.5	35 mm - 145mm
UPCE (Calibration Test Cards)	13	20mm - 250mm
QR code	10	35mm - 180mm
	20	10mm-270mm
Data Matrix	10	35mm-170mm
	20	15mm-270mm

Application Places



Medical

The HTDB-100FM can be used with medication cart or in operating room/ pharmacy/emergency room.



Industrial

The HTDB-100FM can be used in production lines or warehouses.



Food

The HTDB-100FM can be used in discount stores or supermarkets.

Specifications

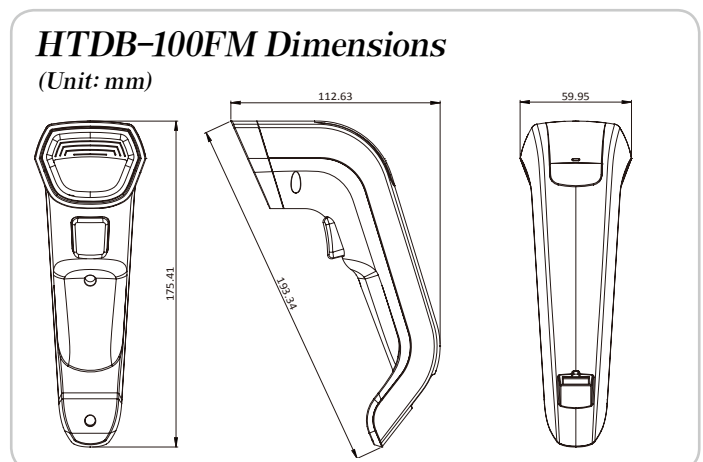
Model		HTDB-100FM
Electrical	Interface	RJ-45 to USB 2.0
	Input Voltage	5 V
	Operating Power	2 W ~ 3 W
Mechanical	Dimensions (HxWxD)	17.5 cm x 5.9 cm x 11.2 cm
	Weight	120 g
Environmental	Drop	Designed to withstand 20 times of 1.8 m drops to concrete on each of the faces
	Sealing	IP 41
	Operating Temperature	0°C to 55°C (32°F to 131°F)
	Storage Temperature	-10°C to 65°C (13°F to 149°F)
	Humidity	0 to 95% relative humidity, non-condensing
Light Sourc	Aiming Pattern	520 ~ 535 nm LED
	Illumination	646 ~ 666 nm LED
System Requirement	OS Support	Microsoft Windows 7/8.1(32-bit&64-bit)
	SDK	Windows: Provides SDK and demo program with sample source code Linux: Provides SDK and demo program with sample source code
Scan Performance	Scan Pattern	Area image (1280 x 1024 pixel array, 1.3-megapixel)
	Motion Tolerance	Up to 350 cm/s for 13 mil UPC at optimal focus
	Depth of Field	10 mm ~ 270 mm
	FOV	Horizontal: 42.4° / Vertical: 34.4° / Diagonal: 53°
	Print Contrast	20% minimum reflectance difference
	MTF	100 lp/mm (>10%)
Symbologies	1D	UPC/EAN, UPC/EAN with supplementals, Bookland EAN, ISSN, UCC Coupon Extended Code, Code 128, GS1-128, ISBT 128, Code 39, Code 39 Full ASCII, Code 93, Interleaved 2 of 5, Codabar, MSI
	2D	MicroPDF417, PDF417, Data Matrix, QR Code, Micro QR Code
Certification	Electrical Safety	UL60950-1 2nd ed, EN60950-1/IEC60950-1 2nd ed
	LED Safety	IEC 62471 and EN 62471
	EMI/RFI	FCC Part 15 Class B, EN55022 Class B, EN55024, Medical Electrical Equipment:EN60601-1-2, FCC Part 18

Ordering Information

Part No.	Description
HTDB-100FM-R10	Handheld barcode reader with 1D/2D barcode decoding, 1280x1024, 10 ~ 270 mm reading distance, anti-bacterial surface, USB interface, RoHS
HTDB-100F-R10	Handheld barcode reader with 1D/2D barcode decoding, 1280x1024, 10 ~ 270 mm reading distance, USB interface, RoHS

Packing List

- 1 x HDTB-100F series handheld barcode reader
- 1 x RJ-45 to USB cable
- 1 x QIG



Solution Partner for Healthcare Industry

Medical Certifications



Celebrate Humanity with Technology

BriteMED is dedicated to developing and applying innovative electronic medical solutions that improve clinical workflow and enhance patient care. At BriteMED, all the solutions are designed, tested and refined with the clinical environment in mind. As an affiliate of the IEI Group, a reputed industrial application provider, we leverage the hardware and software strength to provide integrated solution, including medical device, medical display, computing platform, mobile workstation and powering system. The upmost medical solution together with the advanced technology is our commitment for medical professionals. From product design to integration service, we aim to develop reliable and technology-driven solutions that make people's lives better-whether they are doctors, nurses or patients. We believe perfecting those small details touches our customers and their individual requests.



Medical Monitor

Multi-modality display for endoscopy application and surgical environment

The BriteMED® medical display supports multiple digital and analog inputs, enabling the connection to the state-of-the-art devices without extra efforts. The DICOM/GAMMA compliance and adjustable color temperature ensure accurate and artifact-free imaging quality, to help surgeons make decision during operation. The special-coating glass allows precise imaging view experience in the operation theater and facilitates clean purpose for infection control.



Medical Cart

A wide range of medication and documentation carts for ward rounds

The BriteMED® medical carts can be integrated with the medical panel PCs and battery systems, providing an all-in-one solution for EHR workstation. For various hospital preference, a range of colors and accessories can be chosen to maximize the flexibility for different applications.

BriteMED® MMS-21C

A full-HD LCD medical monitor with VGA and DVI-D inputs



* Stand is optional

Features

- Standard DVI-D and VGA inputs
- Full-HD LCD panel for exceptional display clarity
- DICOM/Gamma calibration for best image accuracy
- Easy-disinfection panel for hygienic purpose
- Optional display layout adjustment: picture-in-picture & picture by picture

Specifications

MMS-21C	
Description	Non-touchscreen with VGA, DVI-D inputs
Display	
LCD Size	21.5" (16:9)
Resolution	1920 (W) x 1080 (H) pixels
Brightness(max.)	250 nits (typical)
Contrast Ratio	5000:1 (typical)
View Angle (H/V)	178°/178° (typical)
General	
Color Temperature	Factory calibrated 4500K, 5500K, 6500K, 7500K, USER
Gamma Correction	Factory calibrated gamma 2.0 & DICOM
Power Requirement	Medical grade power adaptor:100~240V AC 1.0-0.6A 50~60Hz, 12V DC 2.5A
Function Keys	1 x OSD rotary knob 1 x Input source quick selection 1 x Monitor Sleep
Dimensions (Lx W x H)	530.3 x 325 x 53mm
Weight	6.2kg
Operating Temperature	0°C~40°C
Storage Temperature	-20°C ~60°C
Medical Certifications	AAMI ES 60601-1 and EN 60601-1
Input	
VGA (DB-15)	1
DVI-D	1
Audio	Phone jack x 1
Output	
Audio	2W x 2
Optional Interfaces	
HDMI 1.4	Input: HDMI 1.4 x 1, Output: HDMI 1.4 x 1 (loop through)
3G-SDI	Input: 3G-SDI x 1, Output:3G-SDI x 1 (loop through)
Package Content	
Package Content	<ul style="list-style-type: none"> • Monitor x 1 • Power Adapter x 1 • VGA Cable x 1

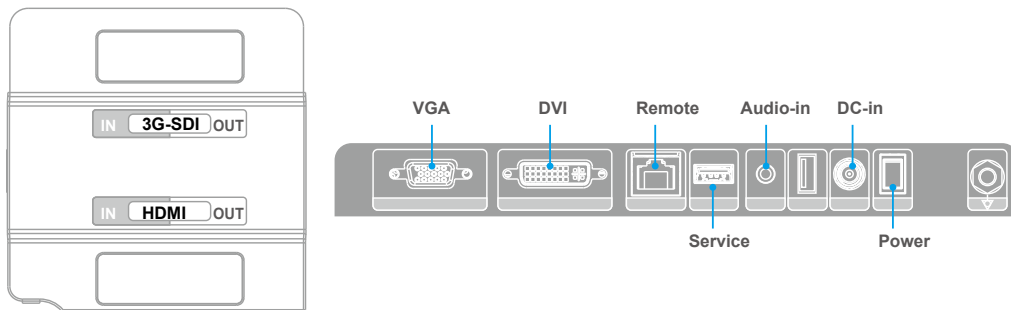
Ordering Information

Part No.	Description
MMS-21C-R10	21.5" 1920x1080 color monitor, VGA/DVI-D input, 100~240 VAC to 12V DC power adaptor
MMS-21CH-R10	21.5" 1920x1080 color monitor, VGA/DVI-D/HDMI input, 100~240 VAC to 12V DC power adaptor

Options

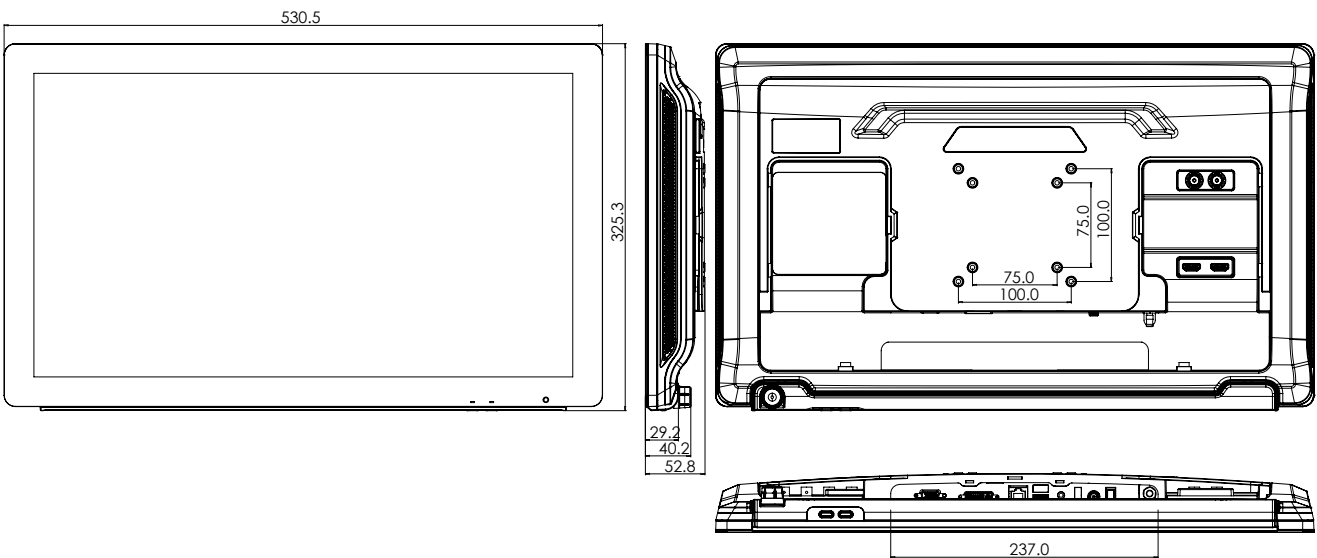
Part No.	Description
MMSO-3GSDI-R10	3GSDI input & loop-through add-on module
MMSO-HDMI-R10	HDMI 1.4 input & loop-through add-on module

Signal Interface



* SDI and HDMI connectors are optional interfaces.

MMS-21C Dimensions (Unit: mm)



BriteMED® MMS-21CA

A versatile medical monitor with multiple digital and analog inputs



* Stand is optional

Features

- Includes DVI-D, VGA, component, NTSC/PAL, S-Video inputs
- Built-in loop through technology for simultaneous display on different monitors
- DICOM/Gamma calibration for best image accuracy
- Optional display layout adjustment: picture-in-picture & picture-by-picture
- VESA 200-100/100 mounting for varied installation needs

Specifications

MMS-21CA	
Description	Non-touchscreen with VGA, DVI-D and analog inputs
Display	
LCD Size	21.5" (16:9)
Resolution	1920 (W) x 1080 (H) pixels
Brightness(max.)	250 nits (typical)
Contrast Ratio	5000:1 (typical)
View Angle (H/V)	178°/178° (typical)
General	
Color Temperature	Factory calibrated 4500K, 5500K, 6500K, 7500K, USER
Gamma Correction	Factory calibrated gamma 2.0 & DICOM
Power Requirement	Medical grade power adaptor: 100~240V AC 1.0-0.6A 50~60Hz, 12V DC 2.5A
Function Keys	1 x OSD rotary knob 1 x Input source quick selection 1 x Monitor Sleep
Dimensions (Lx W x H)	530.3 x 325 x 53mm
Weight	6.2kg
Operating Temperature	0°C~40°C
Storage Temperature	-20°C ~60°C
Medical Certifications	AAMI ES 60601-1 and EN 60601-1
Input	
VGA (DB-15)	1
DVI-D	1
Component	BNC x 1 (Y/Pb/Pr, R/Gs/B, R/G/B/C-Sync, R/G/B/H-Sync/V-Sync)
CVBS	BNC x 1 (NTSC, PAL)
S-Video	1
Audio	Phone jack x 1
Output	
Component	BNC x 1, loop through(Y/Pb/Pr, R/Gs/B,R/G/B/C-Sync, R/G/B/H-Sync/V-Sync)
CVBS	BNC x 1, loop through (NTSC, PAL)
S-Video	1, loop through
Audio	2W x 2
Optional Interfaces	
HDMI 1.4	Input: HDMI 1.4 x 1, Output: HDMI 1.4 x 1 (loop through)
3G-SDI	Input: 3G-SDI x 1, Output: 3G-SDI x 1 (loop through)
Package Content	
Package Content	• Monitor x 1 • Power Adapter x 1 • VGA Cable x 1

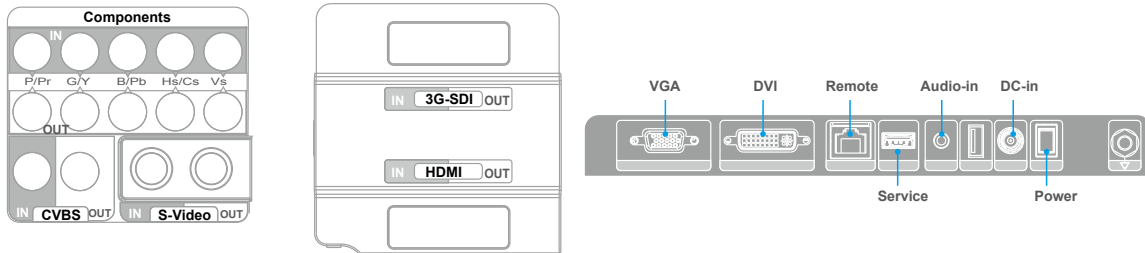
Ordering Information

Part No.	Description
MMS-21CA-R10	21.5" 1920 x 1080 color monitor, VGA/DVI-D/Component/CVBS/S-Video input, 100~240 VAC to 12V DC power adaptor

Options

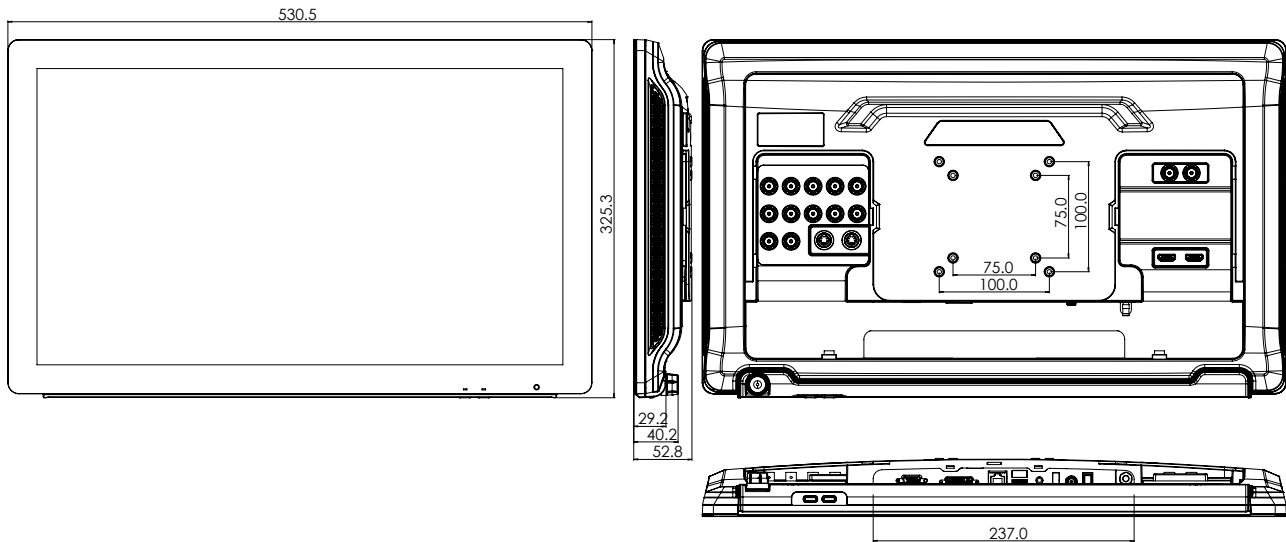
Part No.	Description
MMSO-3GSDI-R10	3GSDI input & loop-through add-on module
MMSO-HDMI-R10	HDMI 1.4 input & loop-through add-on module

Signal Interface



* SDI and HDMI connectors are optional interfaces.

MMS-21CA Dimensions (Unit: mm)



BriteMED® MMS-21CT

A full-HD LCD monitor with touch screen



* Stand is optional

Features

- Built-in projected capacitive touchscreen for quick patient record input
- Full-HD LCD panel in high resolution/contrast ratio and wide viewing angle
- DICOM/Gamma calibration for best image accuracy
- Easy-disinfection panel for hygienic purpose
- Optional display layout adjustment: picture-in-picture & picture-by-picture

Specifications

MMS-21CT	
Description	Touchscreen with VGA and DVI-D inputs
Display	
LCD Size	21.5" (16:9)
Resolution	1920 (W) x 1080 (H) pixels
Brightness(max.)	250 nits (typical)
Contrast Ratio	5000:1 (typical)
View Angle (H/V)	178°/178° (typical)
General	
Color Temperature	Factory calibrated 4500K, 5500K, 6500K, 7500K, USER
Gamma Correction	Factory calibrated gamma 2.0 & DICOM
Power Requirement	Medical grade power adaptor:100~240V AC 1.0-0.6A 50~60Hz, 12V DC 2.5A
Touch Screen	Projected capacitive touchscreen (USB interface)
Function Keys	1 x OSD rotary knob 1 x Input source quick selection 1 x Monitor Sleep
Dimensions (Lx W x H)	530.3 x 325 x 53mm
Weight	6.2kg
Operating Temperature	0°C~40°C
Storage Temperature	-20°C ~60°C
Medical Certifications	AAMI ES 60601-1 and EN 60601-1
Input	
VGA (DB-15)	1
DVI-D	1
Audio	Phone jack x 1
Output	
Audio	2W x 2
Optional Interfaces	
HDMI 1.4	Input: HDMI 1.4 x 1, Output: HDMI 1.4 x 1 (loop through)
3G-SDI	Input: 3G-SDI x 1, Output:3G-SDI x 1 (loop through)
Package Content	
Package Content	<ul style="list-style-type: none"> • Monitor x 1 • Power Adapter x 1 • VGA Cable x 1 • USB Cable x 1

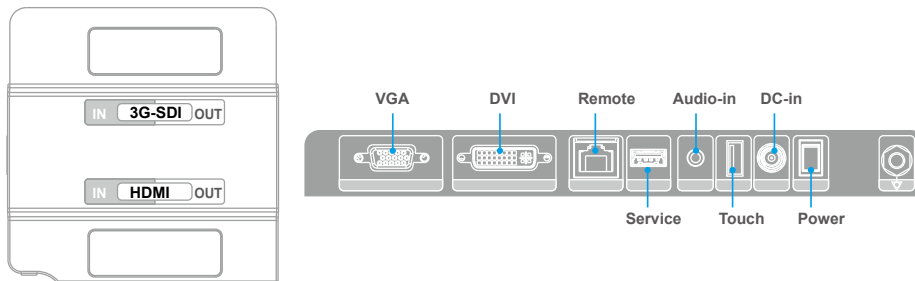
Ordering Information

Part No.	Description
MMS-21CT-R10	21.5" 1920x1080 color monitor, VGA/DVI-D input, P-CAP Touchscreen, 100~240 VAC to 12V DC power adaptor
MMS-21CTH-R10	21.5" 1920x1080 color monitor, VGA/DVI-D/HDMI input, P-CAP Touchscreen, 100~240 VAC to 12V DC power adaptor

Options

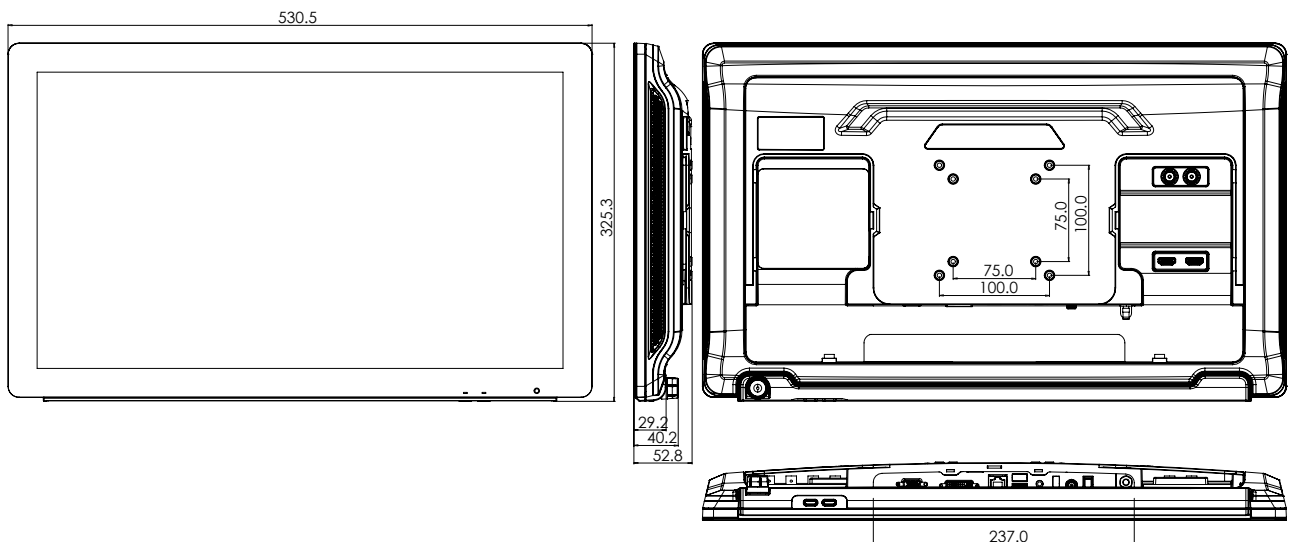
Part No.	Description
MMSO-3GSDI-R10	3GSDI input & loop-through add-on module
MMSO-HDMI-R10	HDMI 1.4 input & loop-through add-on module

Signal Interface



* SDI and HDMI connectors are optional interfaces.

MMS-21CA Dimensions (Unit: mm)



BriteMED® MMS-27C

A high-brightness monitor with DVI-D and VGA inputs



* Stand is optional

Features

- Standard DVI-D and VGA inputs
- 900 nits high brightness for exceptional display clarity
- DICOM/Gamma calibration for best image accuracy
- Easy-disinfection panel for hygienic purpose
- The optional GPIO interface for controlling lighting and patient bed

Specifications

MMS-27C	
Description	High-brightness model with VGA, DVI inputs
Display	
LCD Size	27" (16:9)
Resolution	1920 (W) x 1080 (H) pixels
Brightness(max.)	900 nits (typical)
Contrast Ratio	1000:1 (typical)
View Angle (H/V)	178° / 178° (typical)
General	
Color Temperature	Factory calibrated 5500K, 6500K, 7500K, 9300K USER
Gamma Correction	Factory calibrated gamma 2.0 & DICOM
Power Requirement	Medical grade power adaptor: 100-240V AC 50-60Hz; output: 12V DC/7.5A
Touch Screen	N/A
Function Keys	1 x MENU 1 x Input source 1 x Custom input 1 x Backlight up /+ 1 x Backlight down / - 1 x Image size adjustment
Dimensions (Lx W x H)	657 x 400 x 60.5 mm
Weight	11 kg
Operating Temperature	0°C~40°C
Storage Temperature	-20°C ~60°C
Medical Certifications	CE, FCC Class B part 18, AAMI ES 60601-1 and EN 60601-1
Input	
VGA (DB-15)	1
DVI-D	1
Audio	Phone jack x 1
Output	
Audio	0.8W x 2
Optional Interfaces	
HDMI 1.4	Input: HDMI 1.4 x 1; Output: HDMI 1.4 x 1 (loop through)
3G-SDI	Input: HDMI 1.4 x 1; Output: HDMI 1.4 x 1 (loop through)
Package Content	
Package Content	<ul style="list-style-type: none"> • Monitor x 1 • Power adapter x 1 • Power cord x 1 • Grounding cable x 1 • VGA cable x 1 • DVI cable x 1

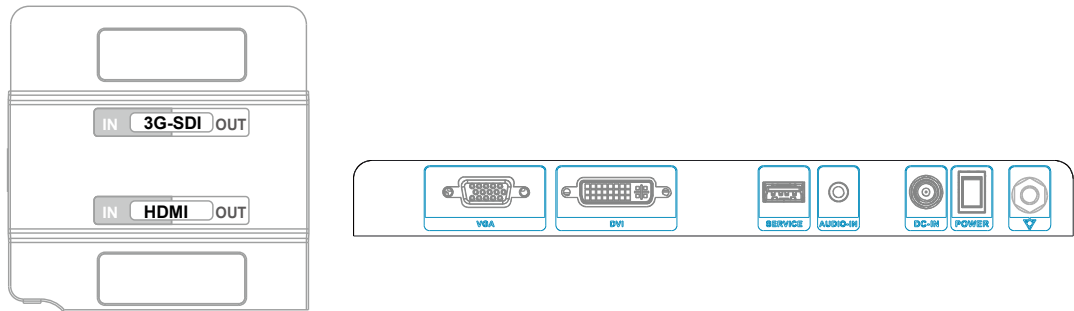
Ordering Information

Part No.	Description
MMS-27C-R10	27" 1920x1080 color monitor, VGA/DVI-D input, 100-240V AC to 12V DC power adaptor

Options

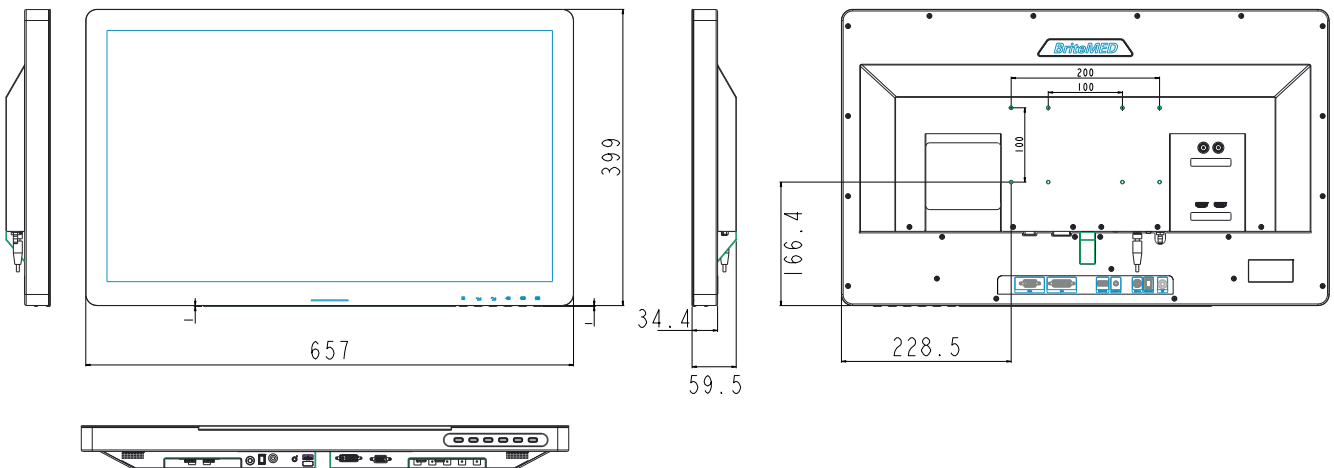
Part No.	Description
MMSO-3GSDI-R10	3GSDI input & loop-through add-on module
MMSO-HDMI-R10	HDMI 1.4 input & loop-through add-on module

Signal Interface



* SDI and HDMI connectors are optional interfaces.

MMS-27C Dimensions (Unit: mm)



BriteMED® MMS-27CA

A high-brightness medical monitor with multiple digital and analog inputs



* Stand is optional

Features

- Includes DVI-D, VGA, component, NTSC/PAL, S-Video inputs
- Built-in loop through technology for simultaneous display on different monitors
- DICOM/Gamma calibration for best image accuracy
- Optional display layout adjustment: picture-in-picture & picture-by-picture
- Satisfies different installation needs by VESA 75/100 mounting

Specifications

MMS-27CA	
Description	High-brightness model with multiple analog inputs
Display	
LCD Size	27" (16:9)
Resolution	1920 (W) x 1080 (H) pixels
Brightness(max.)	900 nits (typical)
Contrast Ratio	1000:1 (typical)
View Angle (H/V)	178° / 178° (typical)
General	
Color Temperature	Factory calibrated 5500K, 6500K, 7500K, 9300K USER
Gamma Correction	Factory calibrated gamma 2.0 & DICOM
Power Requirement	Medical grade power adaptor: 100-240V AC 50-60Hz; output: 12V DC/7.5A
Function Keys	1 x MENU 1 x Input source 1 x Custom input 1 x Backlight up /+ 1 x Backlight down / - 1 x Image size adjustment
Dimensions (Lx W x H)	657 x 400 x 60.5 mm
Weight	11 kg
Operating Temperature	0°C~40°C
Storage Temperature	-20°C ~60°C
Medical Certifications	CE, FCC Class B part 18, AAMI ES 60601-1 and EN 60601-1
Input	
VGA (DB-15)	1
DVI-D	1
Component	BNC x 1 (Y/Pb/Pr, R/Gs/B, R/G/B/C-Sync, R/G/B/H-Sync/V-Sync)
CVBS	BNC x 1 (NTSC, PAL)
S-Video	1
Audio	Phone jack x 1
Output	
Component	BNC x 1, loop through (Y/Pb/Pr, R/Gs/B, R/G/B/C-Sync, R/G/B/H-Sync/V-Sync)
CVBS	BNC x 1, loop through (NTSC, PAL)
S-Video	1, loop through
Audio	0.8W x 2
Optional Interfaces	
HDMI 1.4	Input: HDMI 1.4 x 1; Output: HDMI 1.4 x 1 (loop through)
3G-SDI	Input: HDMI 1.4 x 1; Output: HDMI 1.4 x 1 (loop through)
Package Content	
Package Content	<ul style="list-style-type: none"> • Monitor x 1 • Power adapter x 1 • Power cord x 1 • Grounding cable x 1 • VGA cable x 1 • DVI cable x 1

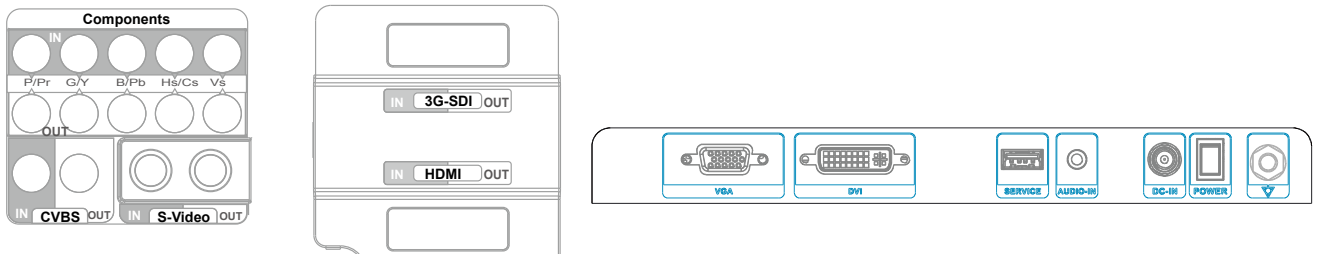
Ordering Information

Part No.	Description
MMS-27CA-R10	27" 1920x1080 color monitor, VGA/DVI-D/Component/CVBS/S-Video input, 100-240V AC to 12V DC power adaptor

Options

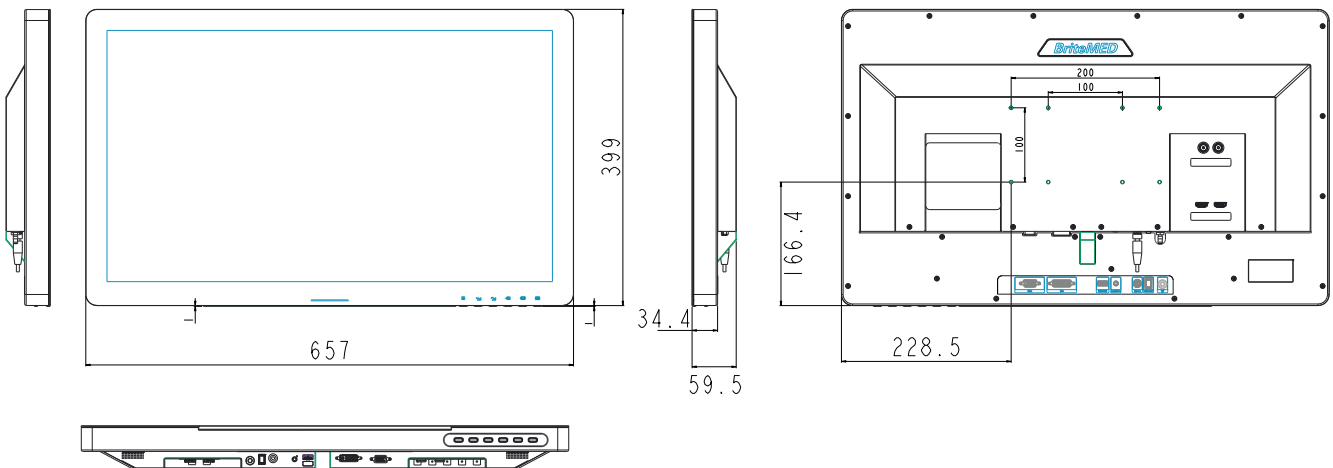
Part No.	Description
MMSO-3GSDI-R10	3GSDI input & loop-through add-on module
MMSO-HDMI-R10	HDMI 1.4 input & loop-through add-on module

Signal Interface



* SDI and HDMI connectors are optional interfaces.

MMS-27CA Dimensions (Unit: mm)



Medical Cart

A wide range of medication and documentation carts that perform mobile workstation purpose to meet various workflow requirements. The BriteMED® medical carts are designed with aluminum-alloy structure and each metal sheet is connected by electro-welding instead of screw, ensuring the strength and safety when moving around in the hospital. Integrated with the optional panel PCs and batteries, it provides a total solution for mobile health applications



Model No.	pCART-N1	pCART-N3	pCART-T1	pCART-D1	pCART-D2	
Description	Ergonomic for medication use	Small and Compact for use in limited space	Light-weight for maximum storage purpose	Elegant design for documentation purpose	Slim and economical for space-saving advantage	
Size (L x W x H)	54 x 68 x 101cm	51 x 46 x 94cm	71.6 x 52 x 94.5cm	52 x 54 x 150cm	80 x 64 x 145cm	
Working Table Dimensions (L x W)	45 x 59cm		62 x 42cm	54 x 45cm	51.7 x 26.1cm	
Side Table Loading Weight (max.)	8 kg			N/A		
Supported Arm Loading Weight (max.)	12kg		8kg	10kg	8kg	
Standard Drawer Configuration	Total Height	27"	24"	21"	N/A	N/A
	3" keyboard drawer	1	1	N/A	N/A	N/A
	3" drawer/ABS tray	1	2	3 (ABS tray:2,Basket:1)	N/A	N/A
	3" medication drawer	2	N/A	N/A	N/A	N/A
	6" drawer	1	1	2 (ABS tray)	N/A	N/A
	9" drawer	1	1	N/A	N/A	N/A
Mouse Holder	N/A			1	1	
Document Basket	N/A			1	1	
Barcode Reader Holder	N/A			1	1	
Wheels	5"	4"	5"	4"	4"	

*Accessories and panel PC are optional