

RISC Based Panel PC Solution



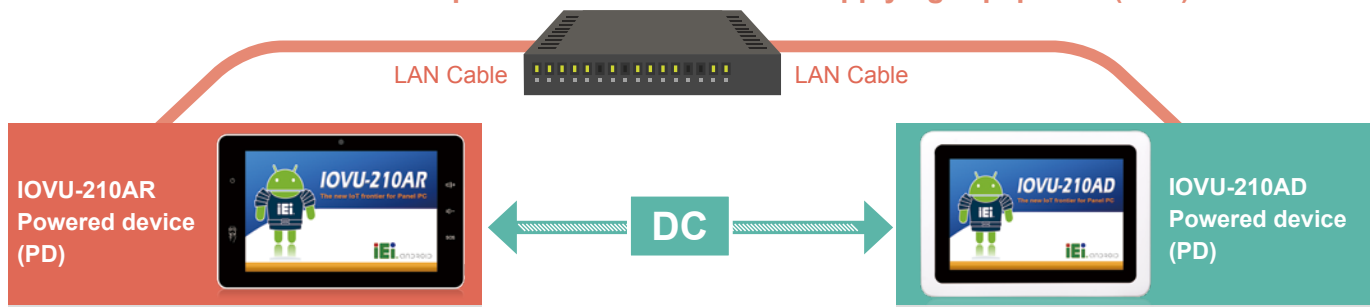
The IOVU RISC Based PC Series enables the great embedded flexibility for smart factory, building automation, factory control, and medical usage applications. Making use of the low power consumption RISC platform, the IOVU series adopts a fan-less and power efficient design, providing a cost-effective, stable, and easy to use solution to collect, transfer, process, access, and manage data.

Power over Ethernet supported

Both of data transfer and power supply through one single LAN cable.

- Simplify the construction.
- Dual power input design.

IEEE 802.3 at Compliant PoE Switch Power Supplying Equipment (PSE)



* When both DC-in and PoE are connected to the device, the connection with higher voltage will be the main power source.

RockChip RK3399 Processor

- Dual-core Cortex-A72 up to 1.8GHz + Quad-core Cortex-A53 up to 1.5GHz)
- Mali-T864 GPU (45% more than Mali-T628)
- 4K UHD H265/H264/VP9
- Dual USB Type-C and USB 2.0
- HDMI 2.0a with HDCP 2.2



➤ Powerful, but low energy

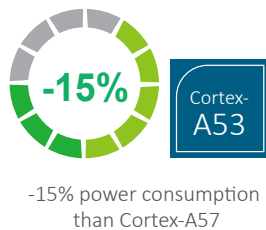
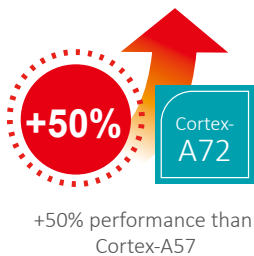
Normally, the CPU will run A53 for low power consumption. If the application needs more computing power, A72 CPU will increase performance by 50%.

➤ +45% performance than Mali-T628



VP9, 10-bits H.265/
H.264 60fps

Mali-T860 MP4



» Supported OS

IEI products with RK3399 family CPU support dual OS with full API/SDK, making it easy to develop your own application on Android or Linux environment.

- Android 7.1
- Linux QT 5.9.4 (Coming soon)



» Applications for RK3399

RK3399 has features of high performance, high expansion, all-round application and it will empower AI and assist the layout of industry products.



Digital Signage



KIOSK



POS

RISC Based Panel PC Selection Guide



		IOVU-210AD-RK39-R10-TW	IOVU-207AR-RK39-R10-TW	IOVU-210AR-RK39-R10-TW
Chassis	Color	white		
	Dimensions (WxHxD)	293 x 209.5 x 44.5 (mm)	210.7 x 154.7 x 29.6 (mm)	282.5 x 174.3 x 26.8 (mm)
	System Fan	Fanless		
	Chassis Construction	PC + ABS plastic front, Metal rear	PC + ABS plastic front, Metal rear	PC + ABS plastic
Display	Size	10"	7"	10"
	Resolution	800(RGB) x 1280	720 RGB x 1280	800(RGB) x 1280
	Brightness (cd/m ²)	250 cd/m ² (typ.)	300 cd/m ² (typ.)	250 cd/m ² (typ.)
	Pixel Pitch (mm)	0.0564(H) x 0.1692(V)	0.1239 (H) x 0.119 (V)	0.0564(H) x 0.1692(V)
	Viewing Angle (H/V)	85/85/85/85 Deg.	70/70/70/70 Deg.	85/85/85/85 Deg.
	Touchscreen	Projected capacitive		
Motherboard	CPU	Rockchip RK3399 (Dual-core Cortex-A72 up to 1.8GHz + Quad-core Cortex-A53 up to 1.5GHz)		
	System Memory	On-board 2 GB LPDDR3-1866		
Storage	SD Card	1 x Micro SD Slot		
	Flash	On-board 16 GB eMMC		
Communication	WLAN	On-board Wi-Fi 802.11a/b/g/n/ac (2T2R)		
	Bluetooth	Bluetooth 4.1		
	RFID	13.56 MHz ISO4443 A/B, read-write capable (NXP PN553)	N/A	13.56 MHz ISO4443 A/B, read-write capable (NXP PN553)
I/O Interfaces	I/O interface	1 x 10/100/1000Mbps RJ45 LAN w/ POE 1 x RS-232/422/485 1 x RS-232 1 x DIO 4pin (2 in / 2 out) 1 x DC jack 1 x DC in terminal block	1 x 10/100/1000Mbps RJ45 LAN 2 pin terminal block for SOS key 1 x DC jack	1 x RS-232 (4 pin wafer connector) 1 x RS-232/422/485 (4 pin terminal block) 1 x 4 bit (2 in, 2 out) - (terminal block) 2 x 2 bit (1 in, 1 out) - (4 pin wafer connector) 3 x I ² C (4 pin wafer connector) 1 x 10/100/1000Mbps RJ45 LAN w/ POE 1 x 10/100/1000Mbps RJ45 LAN 1 x DC jack
	USB 3.1 Gen 1	1 x Type A 1 x Type C OTG	1 x Type A	1 x Type A
	USB 2.0	2 x Type A	1 x Type A	1 x Type A
	Others	2 x USB 2.0 (internal)	1 x Type C OTG (Internal) 2 x UART w/ 3V (internal) 2 x USB 2.0 (internal)	1 x Type C OTG (Internal) 2 x UART w/ 3V (internal) 2 x USB 2.0 (internal)
	Speaker / Mic	2 x Mic 1 x 2W speaker	1 x Mic 1 x 2W Speaker	1 x Mic 2 x 1.5W Speaker
LED Indicator & Button	Camera	5-megapixel		
	Indicator	1 x Power LED 1 x WiFi LED 1 x BT LED	1 x Power (green) 1 x Mail (blue) 1 x Phone (green) 1 x Exclamation Mark (red)	1 x Power LED 1 x RFID LED 3 x Key pad LED (Volume / SOS)
Power	Button	1 x Reset Button	1 x Reset Button 1 x SOS Key (with red bar) 2 x Function Key for AP operation (with green bar)	1 x Reset Button 1 x Volume up 1 x Volume down 1 x SOS Button
	Power Input	12V DC input (range : 9V ~ 30V) PoE: IEEE 802.3 at standard (Power Device)	12V DC input (range : 9V ~ 30V)	12V DC input (range : 9V ~ 30V) PoE: IEEE 802.3 at standard (Power Device)
Reliability	Consumption	12V @ 1.2A	12V @ 1.05A	12V @ 1.1A
	Mounting	VESA Mount 75mmx75mm	VESA Mount 75mmx75mm	Panel mount, In wall cage VESA 110mmx100mm
	Operating Temperature	-10°C ~ 50°C with air flow		
	Storage Temperature	-20°C ~ 60°C		
	Humidity	10% ~ 90%, non-condensing		
OS	Safety/EMC	CE/FCC / Class A compliant	CE/FCC / Class B compliant	CE/FCC / Class B compliant
	Supported OS	Android 7.1		

IOVU-207AR-RK39

7" RISC-based Panel PC

NEW



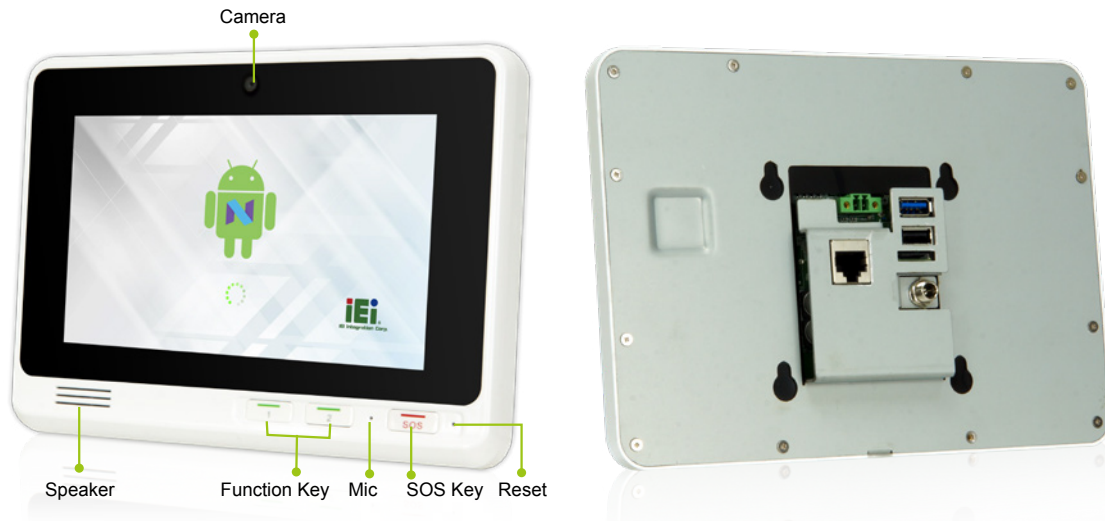
Features

- OS: Android 7.1
- CPU: Rockchip RK3399 (Dual-core Cortex-A72 up to 1.8GHz + Quad-core Cortex-A53 up to 1.5GHz)
- Boot Flash: 16G eMMC Nand Flash
- RAM: 2GB LPDDR3-1866
- 1 x SOS Key (with red bar):
Press for calling help in case emergency
- 2 x Function Keys (with green bar):
Default hot key by AP programming

Specifications



Model		IOVU-207AR-RK39
Chassis	Color	White
	Dimensions (WxHxD) (mm)	210.7 x 154.7 x 29.6
	System Fan	Fanless
	Chassis Construction	PC + ABS plastic front, Metal rear
Display	Size	7"
	Resolution	720 RGB (H) x 1280 (V)
	Brightness (cd/m ²)	300 cd/m ² (typ.)
	Contrast Ratio	800:1 (typ.)
	Pixel Pitch (mm)	0.1239 (H) x 0.119 (V)
	Viewing Angle (H/V)	70/70/70 Deg.
	Touchscreen	Projected capacitive
Motherboard	CPU	Rockchip RK3399 (Dual-core Cortex-A72 up to 1.8GHz + Quad-core Cortex-A53 up to 1.5GHz)
	System Memory	2GB LPDDR3-1866
Storage	SD Card	1 x Micro SD slot
	Flash	16GB eMMC NAND FLASH
Communication	WLAN	802.11 a/b/g/n/ac
	Bluetooth	Bluetooth V4.1
I/O Interfaces	COM port	2 x UART pin header with 3V (internal)
	Ethernet	1 x GbE RJ45 by RTL8211E
	USB 3.1 Gen 1	1 x USB 3.1 Gen 1 (5Gb/s) Type A
	USB 2.0	1 x USB 2.0 Type A 2 x USB 2.0 pin header (internal)
	Others	2 pin terminal block for SOS key
Multimedia	Audio	1 x Speaker (2 W) , 1 x Digital Mic in
	Camera	Front 5-megapixel (CMOS)
LED Indicator & Button	Indicator	1 x Power LED 1 x Mail 1 x Phone 1 x Exclamation Mark
	Button	1 x Reset Button 1 x SOS button (red bar) 2 x Function Key (green bar)
Power	Power Input	DC 9 V~30 V, φ2.5/5.5mm DC Jack
	Power Consumption	12V @ 1.05A
Reliability	Mounting	VESA Mount 75mmx75mm
	Operating Temperature	-10°C ~ 50°C with air flow
	Storage Temperature	-20°C ~ 60°C
	Humidity	10% ~ 90%, non-condensing
	Weight (Net)	0.72 kg
	Safety/EMC	CE/FCC Class B compliant
OS	Supported OS	Android 7.1
	Watch dog timer	Yes



Ordering Information

Part No.	Description
IOVU-207AR-RK39-R10-TW	7" TFT-LCD; Rockchip 3399 Processor, 2GB LPDDR3 , 16GB eMMC Flash, Camera, WIFI/BT, Gigabit Ethernet, TW reg, ROHS
IOVU-207AR-RK39-R10-CN	7" TFT-LCD; Rockchip 3399 Processor, 2GB LPDDR3 , 16GB eMMC Flash, Camera, WIFI/BT, Gigabit Ethernet, CN reg, ROHS
IOVU-207AR-RK39-R10-EU	7" TFT-LCD; Rockchip 3399 Processor, 2GB LPDDR3 , 16GB eMMC Flash, Camera, WIFI/BT, Gigabit Ethernet, EU reg, ROHS
IOVU-207AR-RK39-R10-US	7" TFT-LCD; Rockchip 3399 Processor, 2GB LPDDR3 , 16GB eMMC Flash, Camera, WIFI/BT, Gigabit Ethernet, US reg, ROHS

Packing List

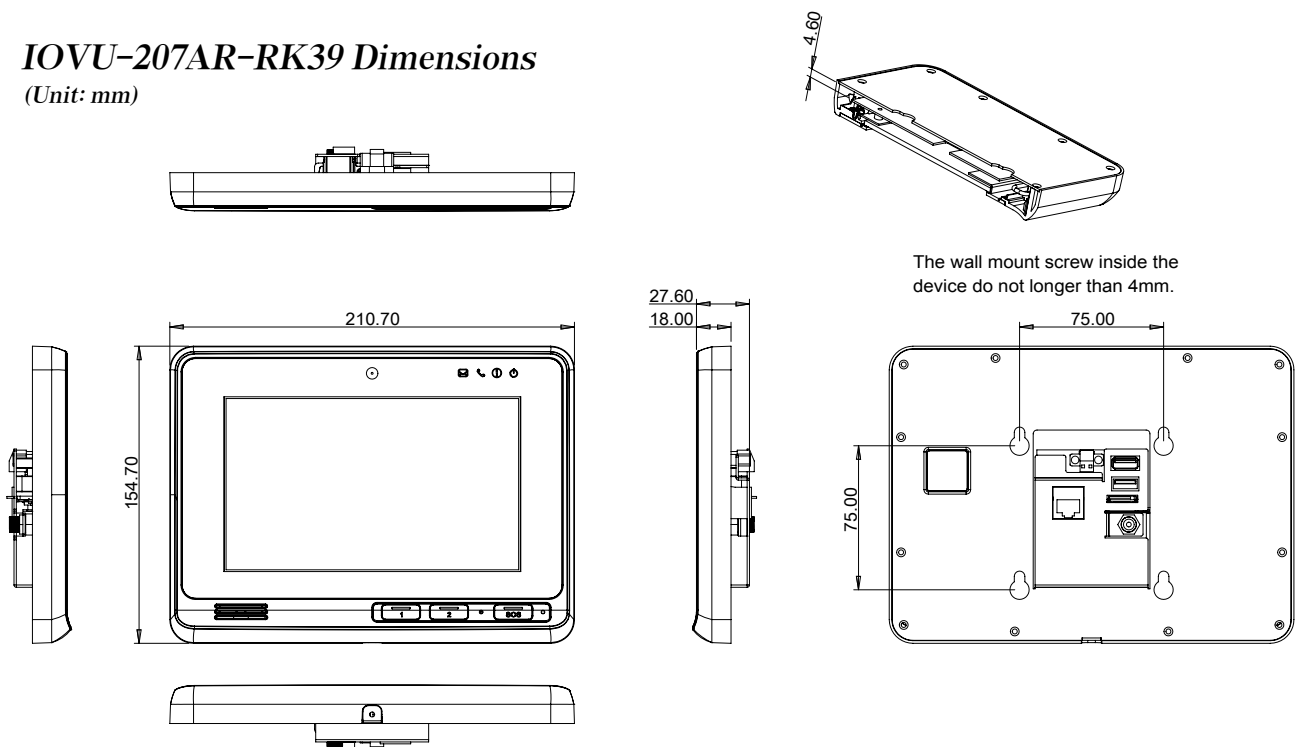
- 1 x IOVU-207AR Device
- 1 x Wall mount bracket
- 1 x Screw set

Options

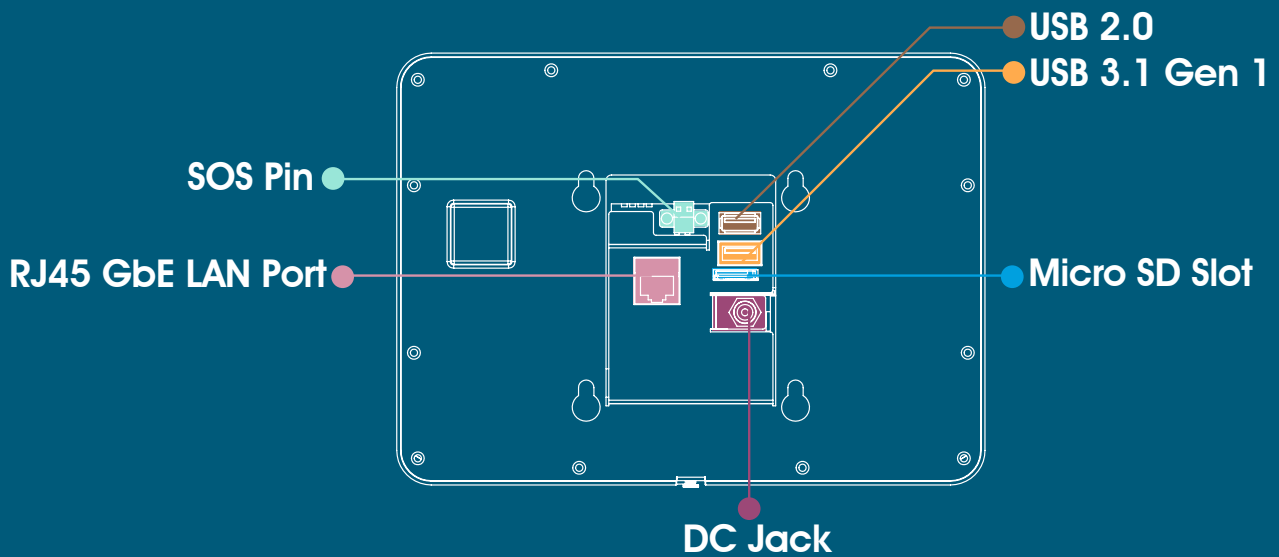
Item	Part No.	Description
Power Adapter	63040-010060-120-RS	Vin:90~264VAC;60W;Φ2.5/Φ5.5/lock

IOVU-207AR-RK39 Dimensions

(Unit: mm)



IOVU- 207AR-RK39



IOVU-210AD-RK39

10.1" RISC Base Panel PC

NEW



Features

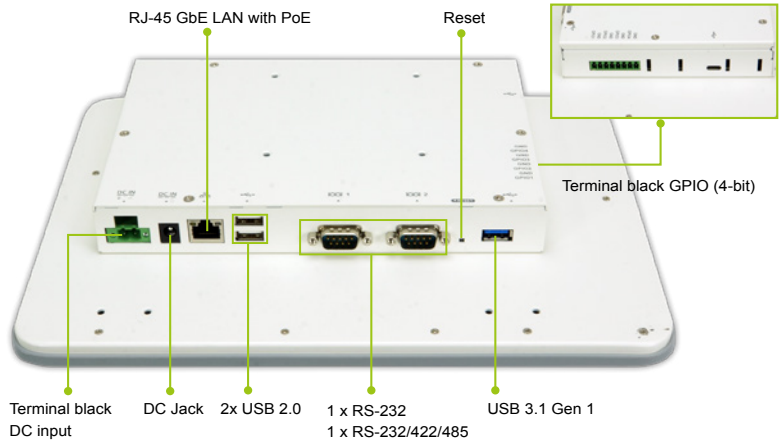
- 10.1" 1280x800 LCD
- Project Capacitive Touch Screen
- CPU: Rockchip RK3399 (Dual-core Cortex-A72 up to 1.8GHz + Quad-core Cortex-A53 up to 1.5GHz)
- OS: Android 7.1
- Boot Flash: 16GB eMMC Nand Flash
- RAM: 2GB LPDDR3



Specifications

Model		IOVU-210AD-RK39
Chassis	Color	White
	Dimensions (WxHxD) (mm)	293 x 209.5 x 44.5
	System Fan	Fanless
	Chassis Construction	PC + ABS plastic front, Metal rear
Display	Size	10.1"
	Resolution	800(RGB) x 1280
	Brightness (cd/m ²)	250 cd/m ² (typ.)
	Contrast Ratio	800:1(typ.)
	Pixel Pitch (mm)	0.0564(H) x 0.1692(V)
	Viewing Angle (H/V)	85/85/85/85 Deg.
	Touchscreen	Project Capacitive
Motherboard	CPU	Rockchip RK3399 (Dual-core Cortex-A72 up to 1.8GHz + Quad-core Cortex-A53 up to 1.5GHz)
	System Memory	2GB LPDDR3-1866
Storage	SD Card	1 x Micro SD slot (Internal)
	Flash	16GB eMMC NAND FLASH
Communication	WLAN	802.11 a/b/g/n/ac
	Bluetooth	Bluetooth V4.1
	RFID	13.56 MHz ISO4443 A/B, read-write capable, ISO 14443A (MIFARE), ISO 14443B (FeliCa)
I/O Interfaces	COM port	1 x RS-232 (DB-9) 1 x RS-232/422/485 (DB-9)
	GPIO	4 bit (2 in, 2 out)
	Ethernet	1 x GbE RJ45 by RTL8211E w/ PoE
	USB 3.1 Gen 1	1 x USB 3.1 Gen 1 (5Gb/s) Type A 1 x USB 3.1 Gen 1 (5Gb/s) Type C OTG
	USB 2.0	2 x USB 2.0 Type A 2 x USB 2.0 pin header (internal)
Multimedia	Audio	1 x Speaker (2 W) , 2 x Digital Mic in
	Camera	Front 5-megapixel (CMOS)
LED Indicator & Button	Indicator	1 x Power, 1 x BT, 1 x Wi-Fi
	Button	1 x Reset Button
Power	Power Input	DC 9 V~30 V * DC input: ϕ 2.5/5.5mm DC Jack or Terminal block * PoE: IEEE 802.3 at standard (Power Device)
	Power Consumption	12V @ 1.2A
Reliability	Mounting	VESA Mount 75mm x 75mm
	Operating Temperature	-10°C ~ 50°C with air flow
	Storage Temperature	-20°C ~ 60°C
	Humidity	10% ~ 90%, non-condensing
	Weight (Net)	1.84 kg
	Safety/EMC	CE/FCC Class A compliant
OS	Supported OS	Android 7.1
	Watch dog timer	Yes

* When both DC-in and PoE are connected to the device, the connection with higher voltage will be the main power source.



Ordering Information

Part No.	Description
IOVU-210AD-RK39-R10-TW	10.1" TFT-LCD; Rockchip 3399 Processor, 2GB LPDDR3 , 16GB eMMC Flash, WiFi/BT, IEEE 802.3at for POE, phone jack, 4xGPIO, Android 7.1, NFC, TW reg, ROHS
IOVU-210AD-RK39-R10-CN	10.1" TFT-LCD; Rockchip 3399 Processor, 2GB LPDDR3 , 16GB eMMC Flash, WiFi/BT, IEEE 802.3at for POE, phone jack, 4xGPIO, Android 7.1, NFC, CN reg, ROHS
IOVU-210AD-RK39-R10-EU	10.1" TFT-LCD; Rockchip 3399 Processor, 2GB LPDDR3 , 16GB eMMC Flash, WiFi/BT, IEEE 802.3at for POE, phone jack, 4xGPIO, Android 7.1, NFC, EU reg, ROHS
IOVU-210AD-RK39-R10-US	10.1" TFT-LCD; Rockchip 3399 Processor, 2GB LPDDR3 , 16GB eMMC Flash, WiFi/BT, IEEE 802.3at for POE, phone jack, 4xGPIO, Android 7.1, NFC, US reg, ROHS

Packing List

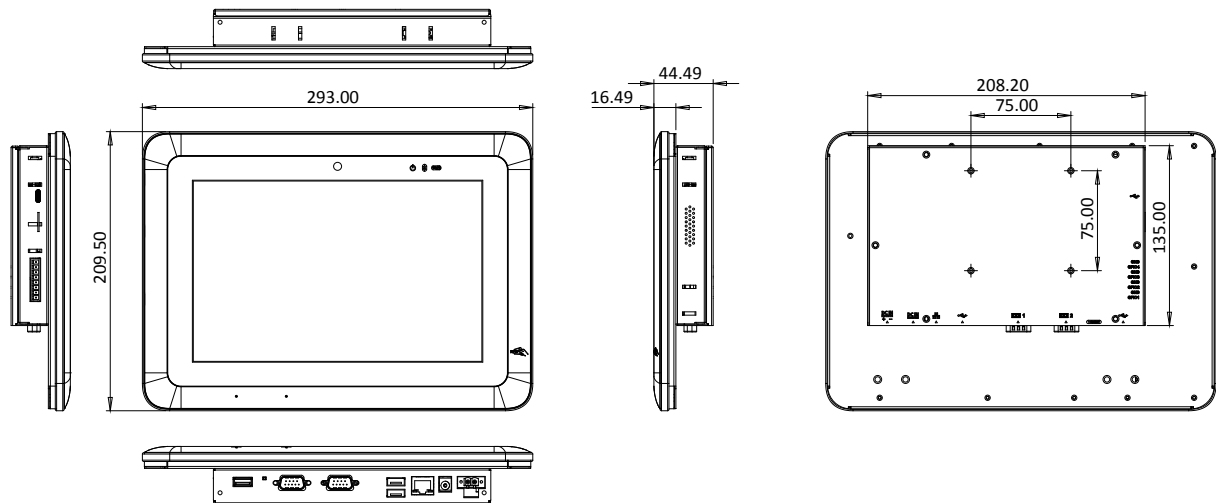
1 x IOVU-210AD Device

Options

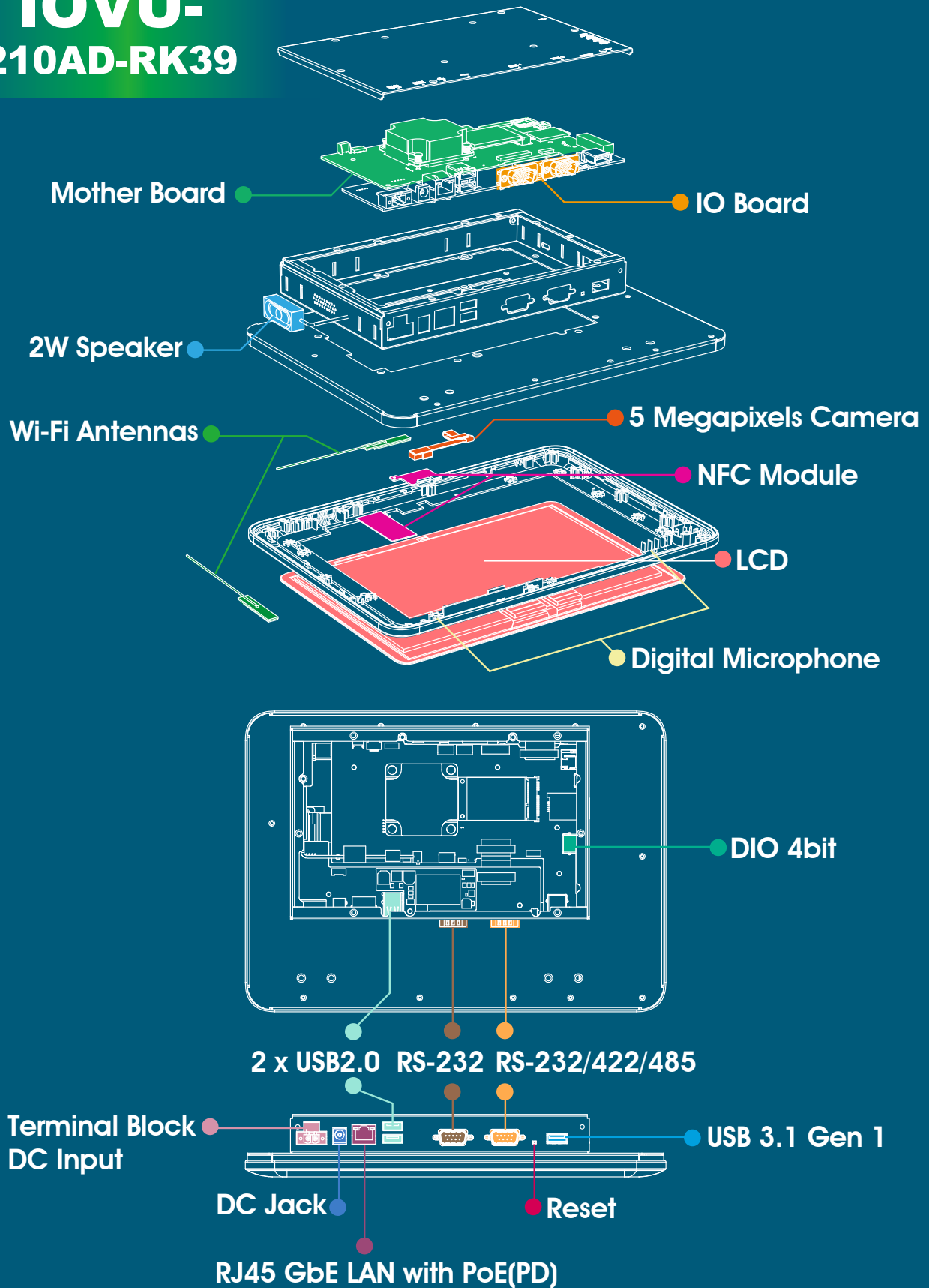
Item	Part No.	Description
Power Adapter	63040-010060-120-RS	Vin:90~264VAC;60W;Φ2.5/Φ5.5/lock
ARM	ARM-11-RS	Flat Panel Monitor ARM
Stand	STAND-A12-RS	LCD MONITOR/PPC STAND
Wall Mount Kit	AFLWK-19B	Monitor Wall mounting kit with lock

IOVU-210AD-RK39 Dimensions

(Unit: mm)



IOVU- 210AD-RK39



IOVU-210AR-RK39

10.1" RISC-based Panel PC

NEW



Features

- 10.1" 1280x800 LCD
- Project Capacitive Touch Screen
- CPU: Rockchip RK3399 (Dual-core Cortex-A72 up to 1.8GHz + Quad-core Cortex-A53 up to 1.5GHz)
- OS: Android 7.1
- Boot Flash: 16GB eMMC Nand Flash
- RAM: 2GB LPDDR3-1866
- Grove Interface IOT Sensor connectors



Specifications

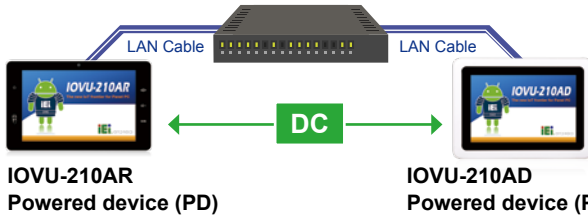
Model		IOVU-210AR-RK39
Chassis	Color	White
	Dimensions (WxHxD) (mm)	282.5 x 174.3 x 26.8
	System Fan	Fanless
	Chassis Construction	PC + ABS plastic
Display	Size	10.1"
	Resolution	800(RGB) x 1280
	Brightness (cd/m ²)	250 cd/m ² (typ.)
	Contrast Ratio	800:1 (typ.)
	Pixel Pitch (mm)	0.0564 (H) × RGB × 0.1692 (V)
	Viewing Angle (H/V)	85/85/85/85 Deg.
	Touchscreen	Project Capacitive
Motherboard	CPU	Rockchip RK3399 (Dual-core Cortex-A72 up to 1.8GHz + Quad-core Cortex-A53 up to 1.5GHz)
	System Memory	2GB LPDDR3-1866
Storage	SD Card	1 x Micro SD slot
	Flash	16GB eMMC NAND FLASH
Communication	WLAN	802.11 a/b/g/n/ac
	Bluetooth	Bluetooth V4.1
	RFID	13.56 MHz ISO4443 A/B, read-write capable, ISO 14443A (MIFARE), ISO 14443B (FeliCa)
I/O Interfaces	COM port	1 x RS-232 (4 pin wafer connector) 1 x RS-232/422/485 (4 pin terminal block) 2 x UART pin header with 3V (internal)
	GPIO	1 x 4 bit (2 in, 2 out) 2 x 2 bit (1 in, 1 out)
	Ethernet	1 x GbE RJ45 by RTL8211E with PoE (PD) 1 x GbE RJ45 by RTL8211E
	USB 3.1 Gen 1	1 x USB 3.1 Gen 1 (5Gb/s) Type A
	USB 2.0	1 x USB 2.0 Type A
	Others	2 x USB 2.0 pin header (internal) 3 x I ² C sensor connectors (3V)
Multimedia	Audio	2 x Speaker (1.5W), 1 x Digital Mic in
	Camera	Front 5-megapixel (CMOS)
LED Indicator & Button	Indicator	1 x Power LED 1 x RFID LED
	Button	1 x Reset button 2 x Volume key (up / down) on screen 1 x SOS key on screen
Power	Power Input	DC 9 V~30 V * DC input: φ2.5/5.5mm DC Jack * PoE: IEEE 802.3 at standard (Power Device)
	Power Consumption	12V @ 1.1A
Reliability	Mounting	Panel mount, In wall cage
	Operating Temperature	-10°C ~ 50°C with air flow
	Storage Temperature	-20°C ~ 60°C
	Humidity	10% ~ 90%, non-condensing
	Weight (Net)	0.85 kg
	Safety/EMC	CE/FCC Class B compliant
	OS	Supported OS
	Watch dog timer	Yes

* When both DC-in and PoE are connected to the device, the connection with higher voltage will be the main power source.

Power over Ethernet supported
Both of data transfer and power supply through one single LAN cable.

- Simplify the construction.
- Dual power input design.

IEEE 802.3 at Compliant PoE Switch Power Supplying Equipment (PSE)



IOVU-210AR
Powered device (PD)

IOVU-210AD
Powered device (PD)

* When both DC-in and PoE are connected to the device, the connection with higher voltage will be the main power source.



Ordering Information

Part No.	Description
IOVU-210AR-RK39-R10-TW	10.1" TFT-LCD; Rockchip 3399 Processor, 2GB LPDDR3 , 16GB eMMC Flash, Camera, WIFI/BT, POE 802.3at, COM port, DIO, 4pin sensor connector, Front Camera, NFC, TW reg, ROHS
IOVU-210AR-RK39-R10-CN	10.1" TFT-LCD; Rockchip 3399 Processor, 2GB LPDDR3 , 16GB eMMC Flash, Camera, WIFI/BT, POE 802.3at, COM port, DIO, 4pin sensor connector, Front Camera, NFC, CN reg, ROHS
IOVU-210AR-RK39-R10-EU	10.1" TFT-LCD; Rockchip 3399 Processor, 2GB LPDDR3 , 16GB eMMC Flash, Camera, WIFI/BT, POE 802.3at, COM port, DIO, 4pin sensor connector, Front Camera, NFC, EU reg, ROHS
IOVU-210AR-RK39-R10-US	10.1" TFT-LCD; Rockchip 3399 Processor, 2GB LPDDR3 , 16GB eMMC Flash, Camera, WIFI/BT, POE 802.3at, COM port, DIO, 4pin sensor connector, Front Camera, NFC, US reg, ROHS

Packing List

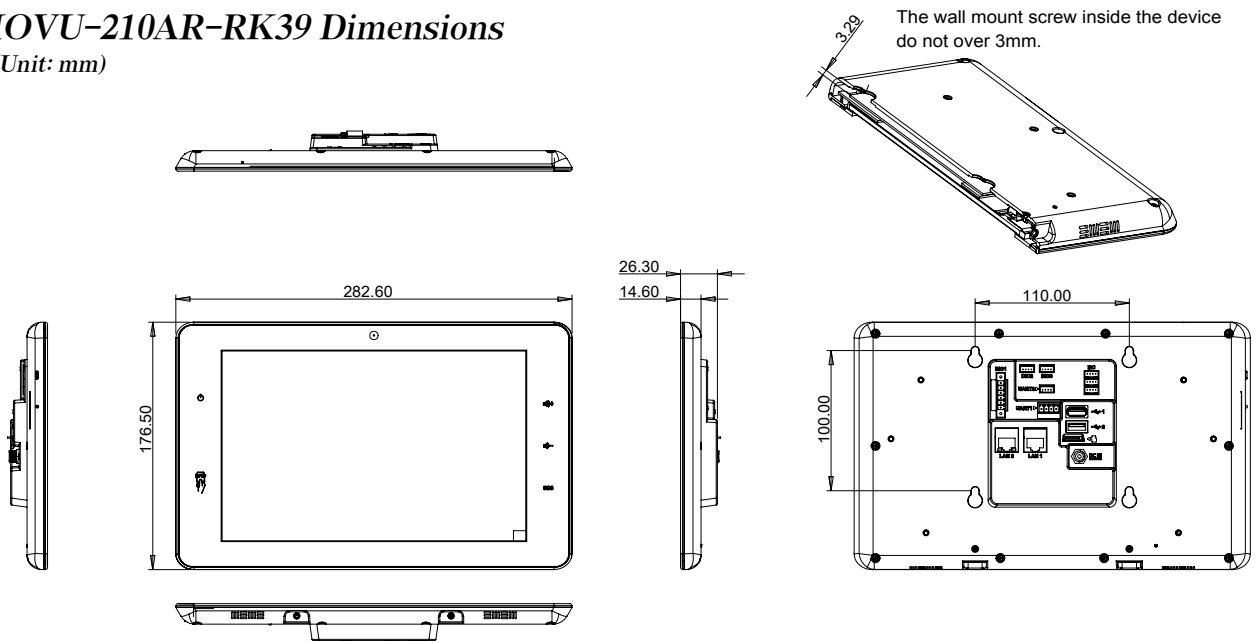
- 1 x IOVU-210AR Device
- 1 x Wall mount bracket
- 1 x Screw set

Options

Item	Part No.	Description
Power Adapter	63040-010060-120-RS	Vin:90~264VAC;60W;Φ2.5/Φ5.5/lock
In Wall Cage	41320-0490E4-00-RS	In wall bracket for IOVU-210AR

IOVU-210AR-RK39 Dimensions

(Unit: mm)



IOVU-210AR-RK39

