

Light Industrial Panel Solution

AFOLUX PPC



Today, more and more customers are looking for advanced services such as round-the-clock service or just-in-time delivery. Service automation enables the exchange of information and communication between administrators and clients through the thin, low power consumption portable devices that fit with many circumstances. Upgrade your service platform with IEI service automation solutions, which have advanced communication functions and solid mechanical characteristics. These solutions help you keep up with your customers while staying a step ahead of the competition.

» Light Industrial Panel PC Product Line

AFOLUX GEN III Panel PC with PoE PD module

Size	W7"	W10.1"	12.1"	W15.6"
Intel® Apollo lake	ALF3-W07A-AL	AFL3-W10A-AL	AFL3-12A-AL	AFL3-W15A-AL

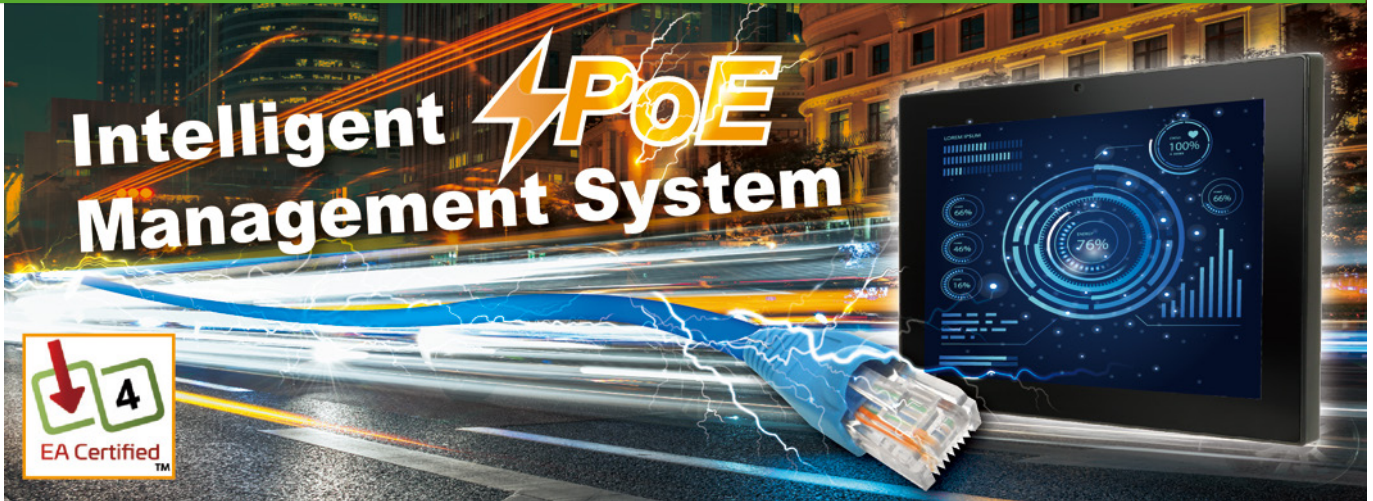
AFOLUX GEN III Panel PC

Size	W7"	8.4"	W10.1"	12.1"	W15"	W19"	W22"
Intel® Dual Core Celeron® N2807	AFL3-W07A-BT						
Intel® Quad Core Celeron® J1900		AFL3-08A-BT	AFL3-W10A-BT	AFL3-12A-BT	AFL3-W15A-BT		
Intel® H81					AFL3-W15B-H81		
6th generation Intel® mobile ULT				AFL3-12C-ULT3	AFL3-W15C-ULT3	AFL3-W19C-ULT3	AFL3-W22C-ULT3
Intel® Apollo lake						AFL3-W19A-AL	

AFOLUX GEN II Panel PC

Size	12.1"
Intel® Atom™ HM65	AFL2-12A-HM65

Intelligent PoE Management System

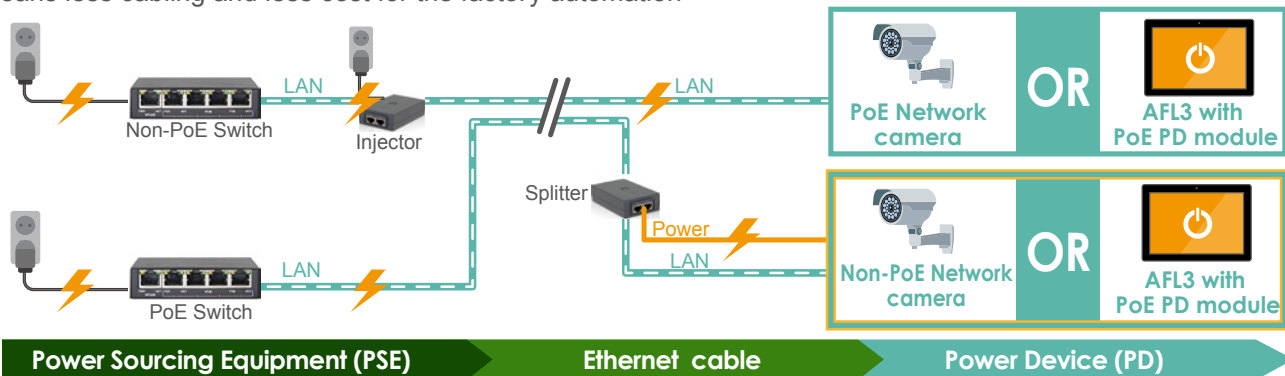


AFL3 Series Products support up to IEEE 802.3bt standard and IEI offer PoE PD bt standard module to option install to AFL3 series panel pc.

Type	Standard	PSE minimum input power	PD minimum input power guaranteed	Cable category	Cable length	Power over
Type 1	IEEE802.3af	15.4 W	12.95 W	Cat5e	100 m	2 pairs
Type 2	IEEE802.3at	30 W	25.5 W	Cat5e	100 m	2 pairs
Type3	IEEE802.3bt	60 W	51 W – 60 W	Cat5e	100 m	2 pairs class 0-4 4 pairs class 0-4 4 pairs class 5-6
Type4	IEEE802.3bt	90 W	71 W – 90 W	Cat5e	100 m	4 pairs class 7-8

» Application

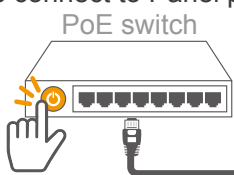
PoE Scenario (Delivery Data and Power Together Thru Ethernet cable) PoE allows electronic devices to receive both power and data through one Ethernet plug-in. The ability to receive both power and data through one cord means less cabling and less cost for the factory automation



Setup intelligent PoE Management System

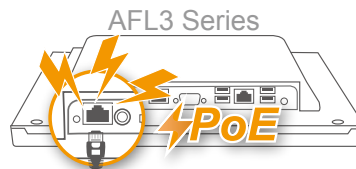
Step 1

LAN cable connect to Panel pc

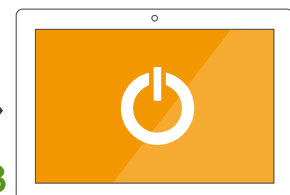


Step 2

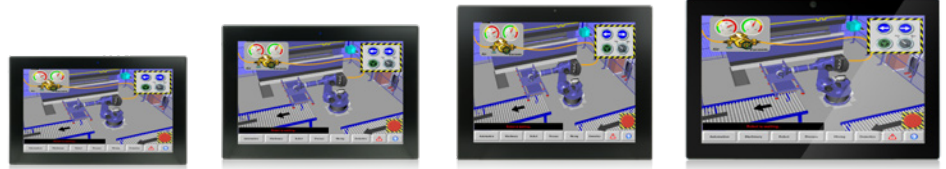
Power on PoE switch



Step 3



AFOLUX GEN III with PoE Selection Guide



LCD Size		7"	10.1"	12.1"	15.6"
Model		AFL3-W07A-AL-R10	AFL3-W10A-AL-R10	AFL3-12A-AL-R10	AFL3-W15A-AL-R10
LCD	Size	7"	10.1"	12.1"	15.6"
	Resolution	1024 x 600 (16:9)	1280 x 800 (16:10)	1024 x 768 (4:3)	1366 x 768 (16:9)
	Brightness (cd/m ²)	500	350	500	400
	Contrast Ratio	700:1	800:1	700:1	500:1
	Viewing Angle (H-V)	150 / 145	170 / 170	160 / 160	170 / 160
	Backlight MTBF	20000	15000	50000	50000
Touch	Touch Screen	PCAP with USB interface (anti-UV/AG coating)	PCAP with USB interface (anti-UV/anti-glare coating) 5-wire resistive touch window (anti-glare coating)		
	Touch Controller	EETI EXC3188			
Mainboard	CPU	Intel® Celeron N3350 (2M Cache, up to 2.4 GHz) TDP 6W	Apollo lake Intel® Celeron® Processor J3455 (2M Cache, up to 2.3 GHz) TDP 10W		
	RAM	one 204-pin 1866MHz DDR3L DIMMs support up to 8GB			
	Ethernet	LAN1: Intel® I211	LAN1: Intel® I211 + LAN2: Intel® I211		
	Audio Codec	ALC888			
Storage	1 x M.2 B+M key PCIe 2242 (PCIe/SATA signal)	1 x 2.5" SATA 3Gb/s HDD bay 1 x M.2 B+M key PCIe 2242 (USB/PCIe/SATA signal)			
I/O Ports & Switch	2 x GbE LAN 2 x USB 3.1 Gen 1 (5Gb/s) 1 x 12V DC Jack 1 x power switch 1 x Reset button 1 x Clear CMOS button 1 x AT/ATX switch	1 x RS-232/422/485 by RJ45 1 x RS-232 by DP9 2 x GbE LAN 2 x USB 3.1 Gen 1 (5Gb/s) 2 x USB 2.0 1 x HDMI output 1 x 9V~30V DC Jcak 1 x power switch 1 x Line out 1 x Reset button 1 x Clear CMOS button 1 x AT/ATX switch			
E-Window expansion	N/A	Yes (option)			
PoE IEEE802.3bt	On board PoE at	Yes (option single channel)			
Audio	AMP 2W (internal speaker)	AMP 2W + 2W	AMP 3W + 3W (internal speaker)	AMP 3W + 3W (internal speaker)	
Camera / Microphone	N/A	2-megapixel with low light function, digital microphone			
Wireless & Bluetooth	IEEE 802.11 a/b/g/n/ac, Bluetooth V4.0 (1 x M.2 A + E key 2230)				
Physical	Construction Front Panel	PC + ABS Plastic			
	Mounting	Panel, Wall, Stand and Arm VESA 75mm x 75mm , 100mm x 100mm			
	Color	Black C			
	Dimensions (W x H x D)(mm)	191 x 127 x 43	262 x 181 x 42	304 x 243 x 44	396 x 250 x 53
	Cut-out Dimensions (W x H)	182 x 111	236 x 149	243 x 205	273 x 226
	Net/Gross Weight (kgs)	0.73/1.81	1.06/2.58	1.92/3.95	3.3/5.6
Environment	Operating Temperature (°C) (Ambient with air flow)	minus -20°C~50°C			
	Storage Temperature (°C)	minus -20°C~60°C			
	Humidity	10% to 95% (non-condensing)			
	IP Level	IP 65 compliant front panel	IP 64 compliant front panel		
	Safety&EMC	CE / FCC class A			
Power	Power Requirement	12V only	9V~30V		
ErP	ErP 2009/125/EC				

AFOLUX GEN III with PoE

NEW

Intelligent PoE Management System

Features

- W7"~ W15.6" light industrial interactive panel PC
- 9 V ~ 30 V wide range DC input with lockable DC jack
- Selectable AT/ATX power mode
- Built-in speakers
- Support PoE PD IEEE803.2 af/at/bt
- IP64/IP65 compliant front panel
- Touch screen with anti-UV / anti-glare coating



Specifications

Model		AFL3-W07A-AL-R10	AFL3-W10A-AL-R10	AFL3-12A-AL-R10	AFL3-W15A-AL-R10
LCD	Size	7"	10.1"	12.1"	15.6"
	Resolution	1024 x 600 (16:9)	1280 x 800 (16:10)	1024 x 768 (4:3)	1366 x 768 (16:9)
	Brightness (cd/m ²)	500	350	500	400
	Contrast Ratio	700:1	800:1	700:1	500:1
	Viewing Angle (H-V)	150 / 145	170 / 170	160 / 160	170 / 160
	Backlight MTBF	20000	15000	50000	50000
Touch	Touch Screen	PCAP with USB interface (anti-UV/AG coating)		PCAP with USB interface (anti-UV/anti-glare coating) 5-wire resistive touch window (anti-glare coating)	
	Touch Controller	EETI EXC3188			
Mainboard	CPU	Intel® Celeron N3350 (2M Cache, up to 2.4 GHz) TDP 6W	Apollo lake Intel® Celeron® Processor J3455 (2M Cache, up to 2.3 GHz) TDP 10W		
	RAM	one 204-pin 1866MHz DDR3L DIMMs support up to 8GB			
	Ethernet	LAN1: Intel® I211 + LAN2: Intel® I211			
	Audio Codec	ALC888			
Storage	1 x M.2 B+M key PCIe 2242 (PCIe/SATA signal)		1 x 2.5" SATA 3Gb/s HDD bay 1 x M.2 B+M key PCIe 2242 (USB/PCIe/SATA signal)		
I/O Ports & Switch	2 x GbE LAN 2 x USB 3.1 Gen 1 (5Gb/s) 2 x USB 3.1 Gen 1 (5Gb/s) 1 x 12V DC Jack 1 x power switch 1 x Reset button 1 x Clear CMOS button 1 x AT/ATX switch		1 x RS-232/422/485 by RJ45 1 x RS-232 by DP9 2 x GbE LAN 2 x USB 3.1 Gen 1 (5Gb/s) 2 x USB 2.0 1 x HDMI output 1 x 9V~30V DC Jack 1 x power switch 1 x Line out 1 x Reset button 1 x Clear CMOS button 1 x AT/ATX switch		
E-Window expansion	N/A		Yes , optional 1 x M.2 B+M key PCIe 2242 (USB/PCIe/SATA signal)		
PoE IEEE802.3bt	On board PoE at		Yes (option single channel)		
Audio	AMP 2W (internal speaker)		AMP 2W + 2W	AMP 3W + 3W (internal speaker)	
Camera / Microphone	N/A		2-megapixel with low light function, digital microphone		
Wireless & Bluetooth	IEEE 802.11 a/b/g/n/ac, Bluetooth V4.1 M.2 slot A+E key 2230 slot (PCIe/USB signal)				
Physical	Construction Front Panel	PC + ABS Plastic			
	Mounting	Panel, Wall, Stand and Arm VESA 75mm x 75mm , 100mm x 100mm			
	Color	Black C			
	Dimensions (W x H x D)(mm)	191 x 127 x 43	262 x 181 x 42	304 x 243 x 44	396 x 250 x 53
	Cut-out Dimensions (W x H)	182 x 111	236 x 149	243 x 205	273 x 226
	Net/Gross Weight (kgs)	0.73/1.81	1.06/2.58	1.92/3.95	3.3/5.6
Environment	Operating Temperature (°C) (Ambient with air flow)	minus -20°C~50°C			
	Storage Temperature (°C)	minus -20°C~60°C			
	Humidity	10% to 95% (non-condensing)			
	IP Level	IP 65 compliant front panel	IP 64 compliant front panel		
	Safety&EMC	CE / FCC class A			
Power	Thermal Solution	Fanless			
	Power Requirement	12V only	9V~30V		
ErP	ErP 2009/125/EC				

Ordering Information

Part No.	Description
AFL3-W07A-AL-N1/P/PC/4G-R10	7" 500cd/m ² 1024 x 600 Panel PC with Intel® Celeron® Processor N3350 (6W) on-board Processor , on-board POE at, 1*4GB DDR3L , 802.11a/b/g/n/ac WiFi module, PCAP touch,R10
AFL3-W10A-AL-J2/P/PC/4G-R10	10.1" 350cd/m ² 1280 x 800 Panel PC with Intel® Celeron® Processor J3455 (10W) on-board Processor, POE option, 1*4GB DDR3L , 802.11a/b/g/n/ac WiFi module, PCAP touch, 2M camera, microphone,R10
AFL3-12A-AL-J2/P/PC/4G-R10	12.1"500 cd/m ² 1024 x 768 Panel PC with Intel® Celeron® Processor J3455 (10W) on-board Processor, POE option, 1*4GB DDR3L , 802.11a/b/g/n/ac WiFi module, PCAP touch, 2M camera, microphone,R10
AFL3-W15A-AL-J2/P/PC/4G-R10	Wide 15.6" 300 cd/m ² 1366 x 768 Panel PC with Intel® Celeron® Processor J3455 (10W) on-board Processor, POE option, 1*4GB DDR3L , 802.11a/b/g/n/ac WiFi module, PCAP touch, 2M camera, microphone,R10

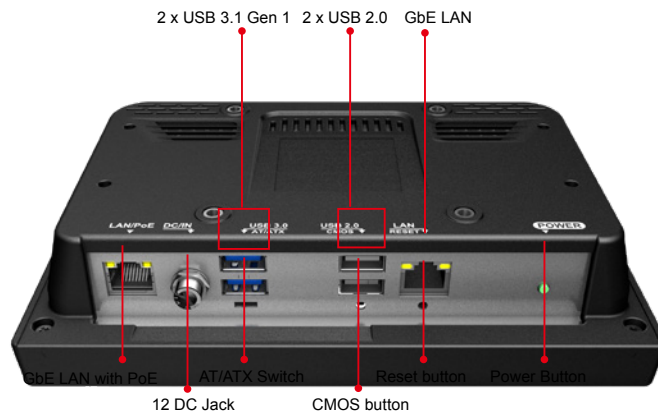
Options

Item	AFL3-W07A-AL	AFL3-W10A-AL	AFL3-12A-AL	AFL3-W15A-AL
Panel Mounting Kit	AFL3PK-W07A-R11	AFL3PK-08A-R10	AFL3PK-08A-R10	AFL3PK-W15A-R10
Wall Mounting Kit	AFLWK-12	AFLWK-12	AFLWK-19B	AFLWK-19B
Rack Mounting Kit	AFL3RK-W07A-R11	AFL3RK-W10A-R10	AFL3RK-12A-R10	AFL3RK-W15A-R11
Arm	ARM-11-RS/ARM-31-RS	ARM-11-RS/ARM-31-RS	ARM-11-RS/ARM-31-RS	ARM-11-RS/ARM-31-RS
Stand	STAND-B08/STAND-100-RS	STAND-C12-R10	"STAND-A12-RS/STAND-C12-R10/ STAND-100-RS"	"STAND-A12-RS/STAND-C12-R10/ STAND-100-RS"
V-Stand	VSTAND-A07-R1	VSTAND-A10-R11	VSTAND-A12-R11	
Magnetic Card Reader	AFL3P-W7MSR-U-R10	AFL3P-W10MSR-U-R10	AFL3P-W10MSR-U-R10	AFL3P-W10MSR-U-R10
Barcode Scanner	N/A	AFL3-2D-R11	AFL3-2D-R11	AFL3-2D-R11
RFID Reader (13.56 MHz Mifare Type)	N/A	AFL3-MF-RFID-KIT02-R10	AFL3-MF-RFID-KIT02-R10	AFL3-MF-RFID-KIT02-R10
OS: Win 10 IOT Enterprise (64-bit)	AFL3-W07A-AL-W10E64-E-R10			

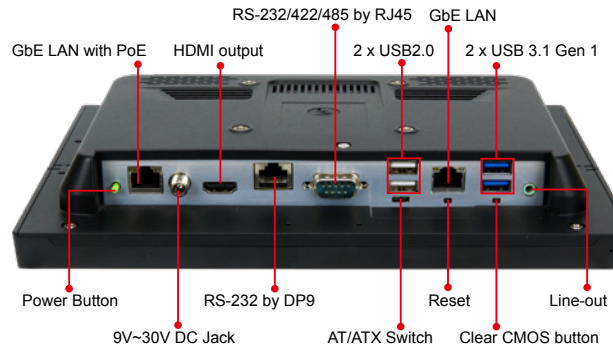
Packing List

Item	Part No.	Q'ty	Remark
Setting kit	46003-002600-RS	2	
Round head machine screw	44003-020041-RS	2	M2*4 round head machine screw
	44003-020041-RS	4	M2*4 round head machine screw
Pan head machine screw	44403-040061-RS	4	M4*6 pan head machine screw
Fix holder	46003-009500-RS	2	
Power cord	32702-000400-200-RS	1	
	32702-000200-100-RS	1	
Power adapter	63040-010036-121-RS	1	36W; Vin: 90V~264V AC; Vout: 12VDC; Φ2.5/Φ5.5/lock
RJ-45 to DB-9 COM port transfer cable	32005-004600-100-RS (AFL3-08A)	1	300mm, 26AWG, (A) D-SUB 9 male, (B) RJ-45
Touch pen	43125-0002C0-00-RS	1	Resistive touch screen only

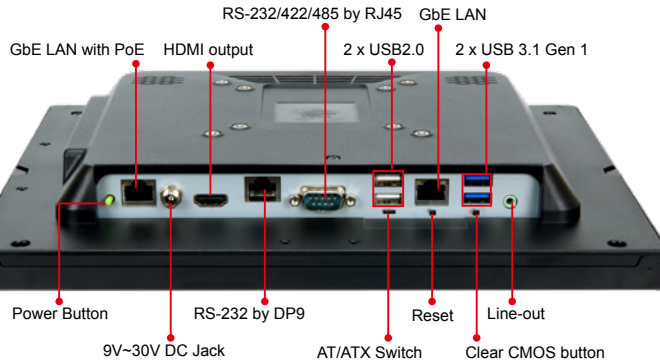
AFL3-W07A-AL Fully Integrated I/O



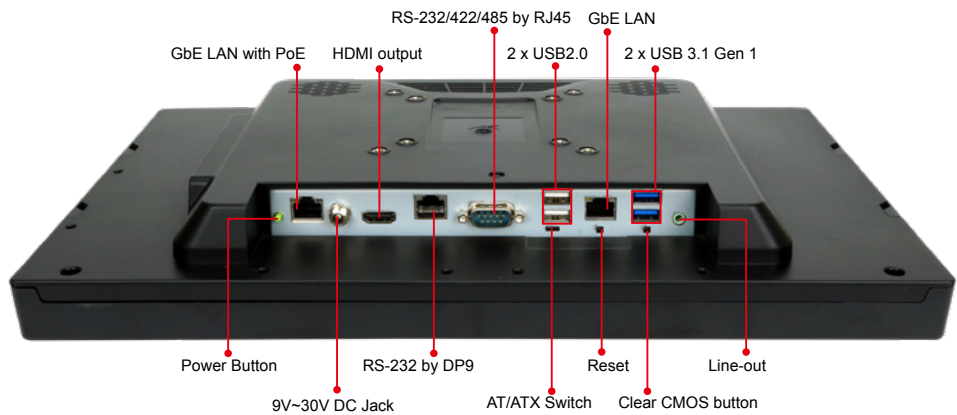
AFL3-W10A-AL
Fully Integrated I/O



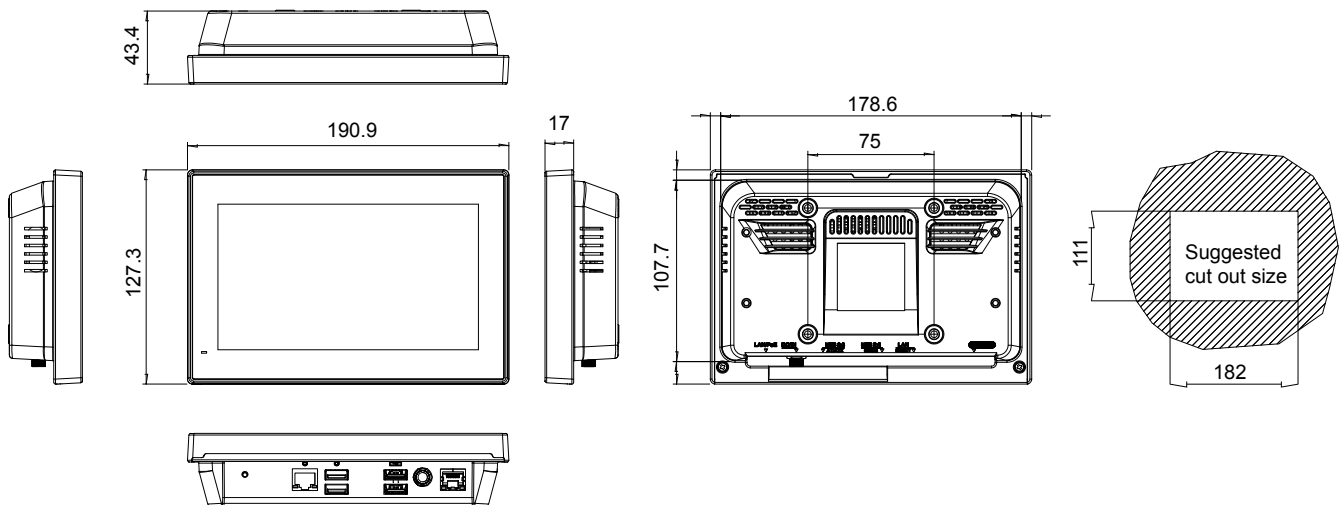
AFL3-12A-AL
Fully Integrated I/O



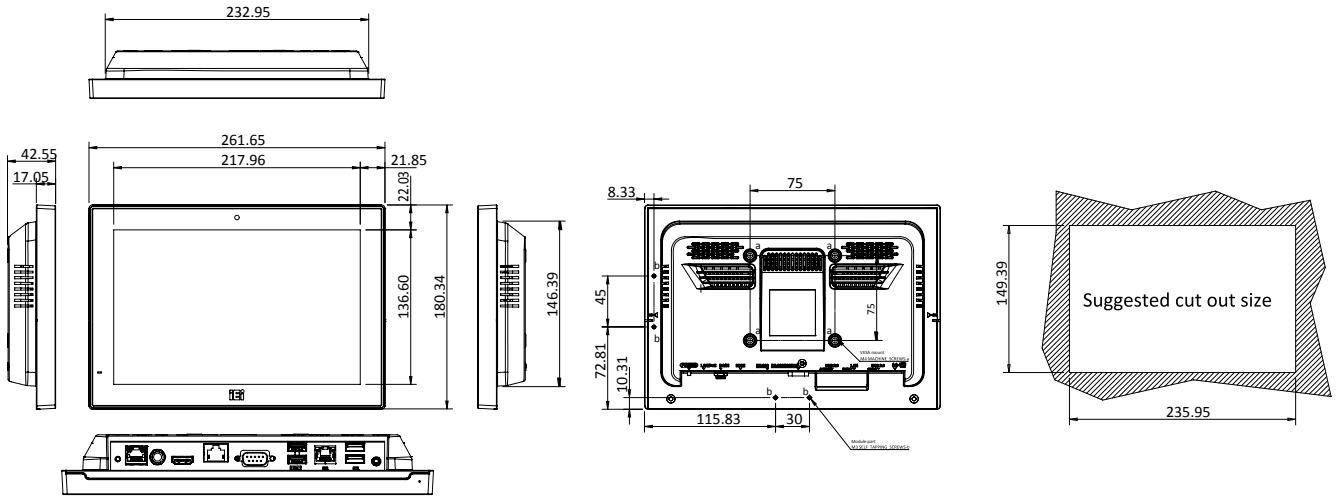
AFL3-W15A-AL
Fully Integrated I/O



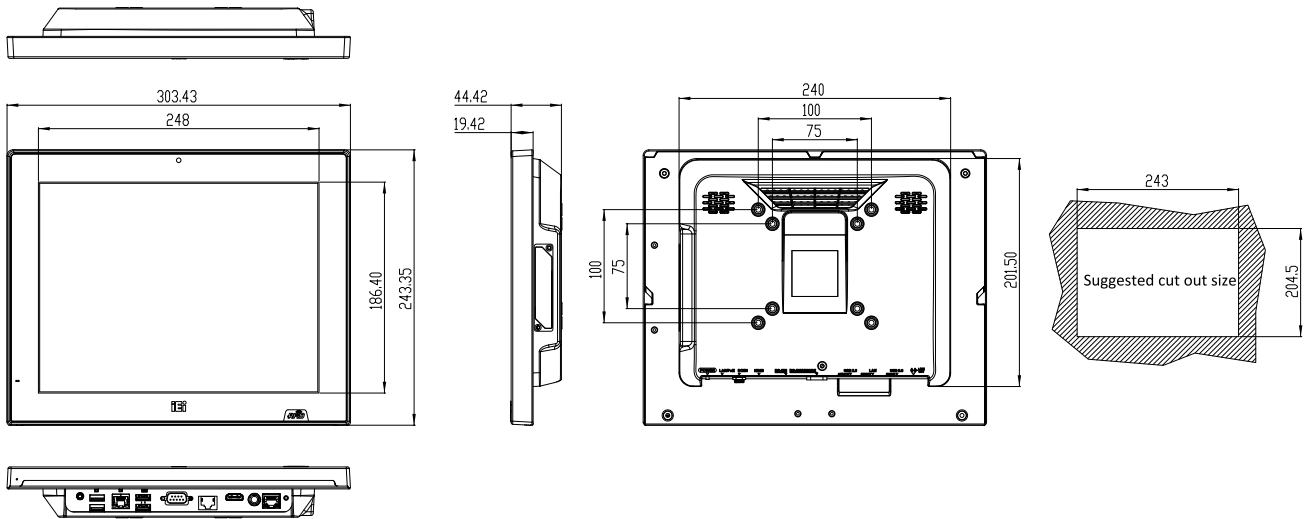
AFL3-W07A-AL Dimensions (Unit: mm)



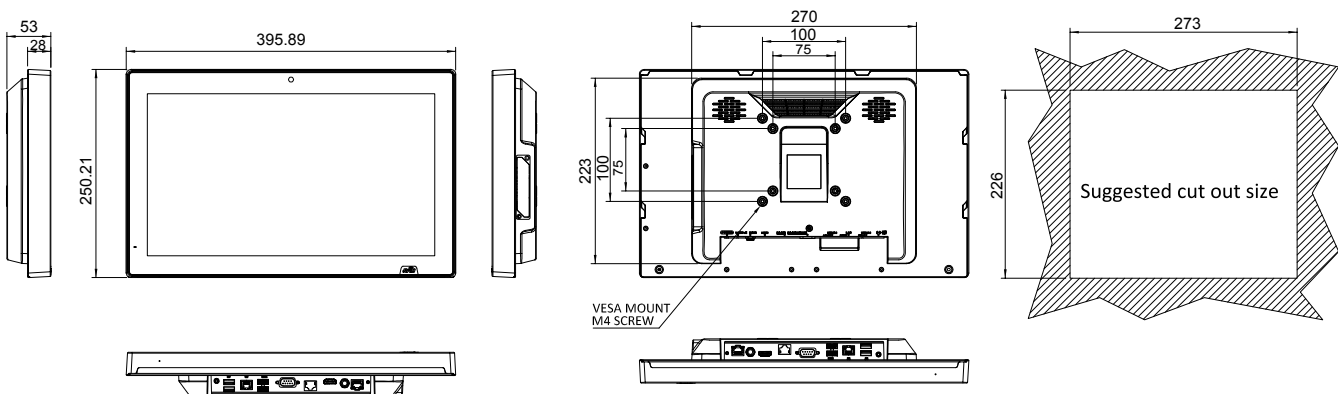
AFL3-W10A-AL Dimensions (Unit: mm)



AFL3-12A-AL Dimensions (Unit: mm)



AFL3-W15A-AL Dimensions (Unit: mm)



AFOLUX GEN III Interactive Panel PC

» Leading the Evolution of Intelligent HMI

AFOLUX GEN III Panel PC, a specialized all-in-one panel computer with 7-inch to 15.6-inch PCAP touchscreen, opens a new era of automation. It looks stylish like a tablet, and supports 802.11ac and Bluetooth 4.0 high speed connectivity. Its robustness meets industrial standards and its scalability make it easy to expand I/O options. The AFOLUX GEN III is designed for a wide range of applications which can be applied in different scenarios.



Robustness

- IP65/IP64 front, IPx1 rear cover
- -10°C~50°C extended operating temperature
- 6H PCAP multi-touch

Stylish

- ABS plus PC plastic light weight housing
- 2mm bezel seamless design
- Upright portrait installation possible for all touch devices
- Less screw design

Scalability

- 1D/2D barcode module for retail applications
- 13.56MHz Mifare reader: meets ISO 14443A/B,15693
- MSR card reader for identifications
- E-Window for function expansion

Connectivity

- Digital microphone, 2-megapixel camera, speakers
- Wireless 802.11ac connectivity
- Bluetooth 4.0 (optional)

» Multiple Performance Choice

AFOLUX GEN III Panel PC, a specialized all-in-one panel computer with 7-inch to 15.6-inch PCAP touchscreen, opens a new era of automation. It looks stylish like a tablet, and supports 802.11ac and Bluetooth 4.0 high speed connectivity. Its robustness meets industrial standards and its scalability make it easy to expand I/O options. The AFOLUX GEN III is designed for a wide range of applications which can be applied in different scenarios.

A. Fan-free Quad Core and Dual Core Intel® Celeron® Platform

- Quad-core Intel® J1900 2.0 GHz/Dual-core Intel® N2807 Processor
- Intel® HD Graphics Gen 7 Graphics Performance Allows Smooth 2D/3D Graphics Application
- Green Memory
- Fan-free design

Double Graphics Power!

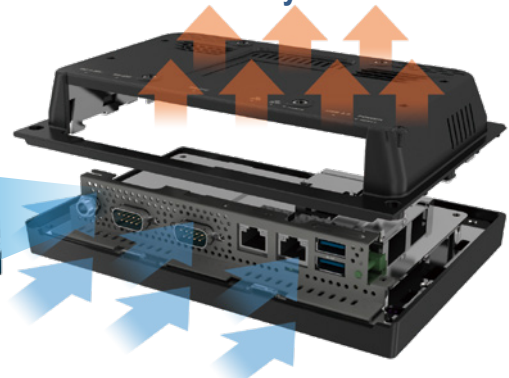
3DMark2001

6707

Intel® Celeron® Processor N2807
(1M Cache, up to 2.16 GHz)



FANLESS System 0dBA



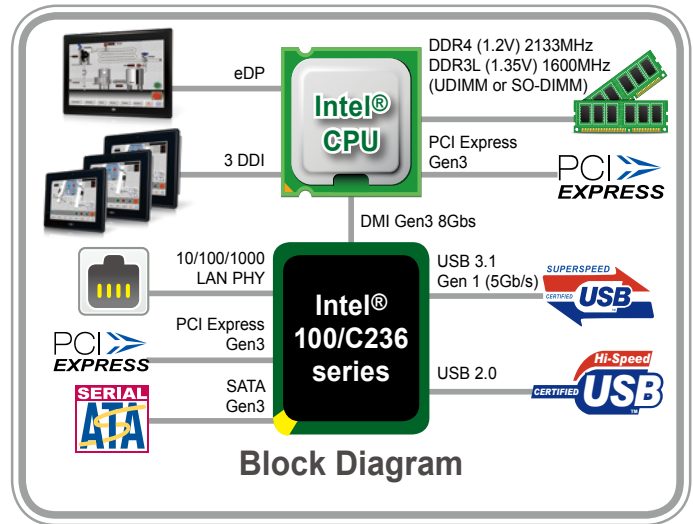
B. 7, 6th Generation Intel® Solution

Breakthrough Performance

- 15.6" , 18.5" and 22" fanless light-industrial Panel PC with Intel® Skylake / Kabylake Low power ULT BGA 1356 single package platform
- 14nm processor using 2nd generation 3-D tri-gate transistors
- Support dual-channel DDR4 & DDR3L memory (ECC optional)

Enhanced Graphics / Media

- Gen 9 graphics engine
- 3 independent displays with audio
- Display resolutions supporting up to 4K@60Hz



Item	ULT			
	8 Series	9 Series	100 Series	100 Series
Platform Name	Haswell	Broadwell	Skylake	Kabylake
Process	22nm	14nm	14nm	14nm
CPU Package	BGA1168	BGA1168	BGA1356	BGA1356
Memory	DDR3L	DDR3/DDR3L 1600	DDR3L/DR4	DDR3L/DR4
PCI Express Lanes	Up to 8 Lanes PCIe (Gen2)	Up to 12 PCIe (Gen2)	Up to 12 PCIe (Gen3)	Up to 12 PCIe (Gen3)
PCH	PCH-LP	PCH-LP	PCH-LP Premium/Base	PCH-LP Premium/Base

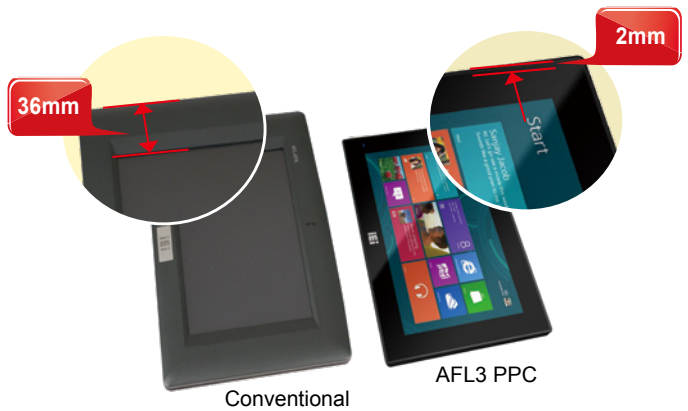
» Easy Assembly and Stylish Outlook

Screw-less Design

Only 2 screws are needed for rear cover installation, making it easy to access and replace storage and PCIe Mini card quickly.

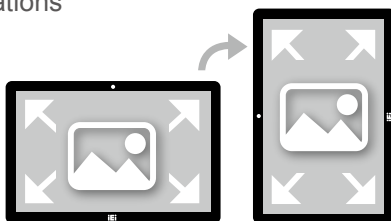


2mm Narrow Bezel



Symmetric Bezel

Landscape/Portrait screen mode supports different applications



Light Weight Plastic Housing

The ABS plus PC plastic housing helps to shape the stylish outlook and only weight 1/3 of metal housing panel PC.

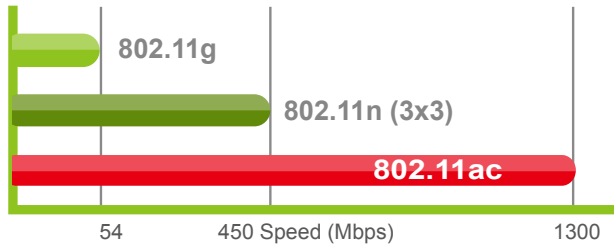


» Fast Transmission Wireless 802.11ac

- 2.4 GHz and 5 GHz dual band supplies faster and reliable signal
- The incredible wireless speed makes it ideal for handling multiple HD movie streams, high-resolution on-line games, stereo music, VoIPs and data streams at the same time stably and smoothly.

Maximum Speed: Next generation 802.11ac VS. 802.11n

WiFi Standard



» E-Window Tool Kit

Innovative E-windows technology is a new modular way of adding flexible functionality to a wide range of device. Using standardized component helps system integrators easily add more features without any costly efforts.

E-Window

Features

- Easy maintenance
- Variety module & I/O plate with flexible customization
- Integration of multiple functions
- Easy for replacement with different modules



Ordering Information: (shipment by assembly to order)

Item	Description	Support list	
E-MPCIE-LAN-R10	PCIe mini card supports 1-port GbE with REALTEK RTL8111E controller, with PMS 194C I/O bracket and 250mm cable, R10	AFL3-12A-BT * AFL3-W15A-BT * AFL3-W19A-AL	AFL3-W15C-UTL3 AFL3-W19C-UTL3 AFL3-W22C-ULT3
E-MPCIE-DLAN-R10	PCIe mini card supports 2-port GbE with Intel I211 controller, with PMS 194C I/O bracket and 250mm cable, R10	AFL3-12A-BT * AFL3-W15A-BT * AFL3-W19A-AL	AFL3-W15C-UTL3 AFL3-W19C-UTL3 AFL3-W22C-ULT3
E-MPCIE-CClink-R10 CIFX 90E-CC1ET1F	PCIe mini card supports CC-Link Slave interface according to V2.0 and V1.1, with black C I/O bracket and 250mm cable, R10	AFL3-W15C-UTL3 AFL3-W19C-UTL3 AFL3-W19A-AL	AFL3-W22C-ULT3
E-MPCIE-PROFIBUS-R10 CIFX 90E-DPIF	PCIe mini card supports universal PROFI BUS DP card for Master or Slave, with black C I/O bracket and 250mm cable, R10	AFL3-W15C-UTL3 AFL3-W19C-UTL3 AFL3-W19A-AL	AFL3-W22C-ULT3
E-MPCIE-EtherCAT-R10 CIFX 90E-RE1F	PCIe mini card supports universal for all Real-Time Ethernet protocols, with black C I/O bracket and 280mm cable, R10	AFL3-W15C-UTL3 AFL3-W19C-UTL3 AFL3-W19A-AL	AFL3-W22C-ULT3
E-MPCIE-3G-R10	PCIe mini card supports 3G WWAN Module , with PMS 130C I/O bracket, RF antenna 300mm cable and GSM antenna cable, R10	AFL3-12A-BT AFL3-12C-BT AFL3-W15A-BT AFL3-W19A-AL	AFL3-W15C-UTL3 AFL3-W19C-UTL3 AFL3-W22C-ULT3

* Remove AFL3-USBHUB-R10

» Bluetooth 4.0 (optional)

- Bluetooth 4.0 (BLE :Bluetooth Low Energy)/ 3.0 + HS (High Speed) data rate up to 24 Mbit/s
- 10m~20m (depending on environment)



Version	Data rate	Maximum application throughput
Version 1.2	1 Mbit/s	0.7 Mbit/s
Version 2.0 + EDR	3 Mbit/s	2.1 Mbit/s
Version 3.0 + HS	Perhaps 24 Mbit/s	(note: only with AMP and depends on the AMP, BT itself remains 2.1 Mbit/s max)
Version 4.0	Perhaps 24 Mbit/s	(note: only with AMP and depends on the AMP, BT itself remains 2.1 Mbit/s max)

» Selectable AT/ATX Power Mode



Convenient Power Mode Setting

AT Power Mode



With the AT mode selected, the power is controlled by a central power unit rather than a power switch. The AFOLUX PPCs turns on automatically when the power is connected.



Applications

- Plant environment monitoring system
- Factory automation platform
- Manufacturing shop flow

Advantages

- Easy to turn on/off with wall/ panel mounting
- Automatic start when power connected

ATX Power Mode



With the ATX mode selected, the AFL series panel PC goes in a standby mode when it is turned off. The panel PC can be easily turned on via network or a power switch in standby mode. Remote power control is perfect for advertising applications since the broadcasting time for each panel PC can be set individually and controlled remotely.



Applications

- Security surveillance
- Advertising terminal

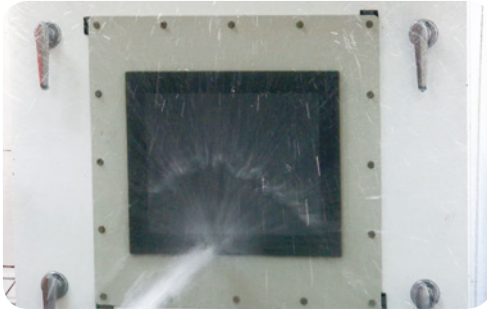
Advantages

- Power management
- Remote control via network advantage

» IP65 Front Panel /IPx1 Rear Protection

The IP 65 compliant front panel of the AFOLUX GEN III panel PC has passed tests to check if there is any water, dust or dirt passing the sealing design. Reference IEC60529 Testing Procedures:

Hose Diameter: 25.4 mm (UL50 Type 4X), The distance from water hose to DUT is 3 meters.



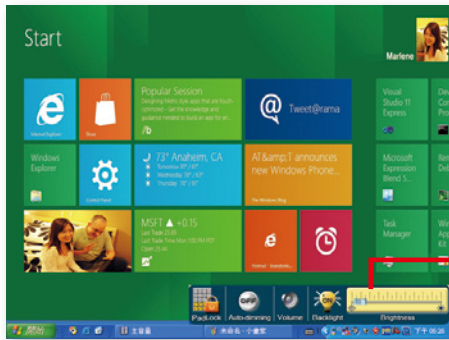
Test for protection against water



Test for protection against dust

» Software OSD Configuration

IEI patented system software utility allows users to adjust system settings through the software interface in Windows environment instead of pressing the membrane keypad below the front panel.



Volume adjustment



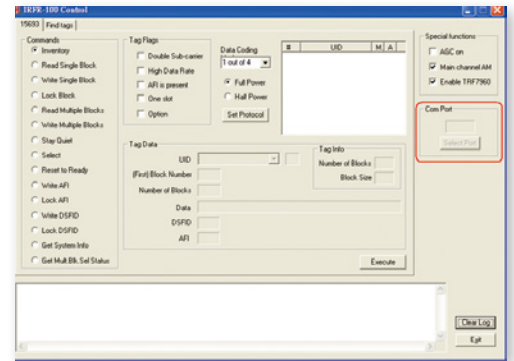
Brightness adjustment

*Support OS
Windows 7
Windows 8 / Windows 8.1
Windows 10 / Windows 10.1

» Rich Peripherals



A. Built-in 13.56 MHz Mifare RFID Reader



IEI RFID Software Development Kit

Model	AFL3-MF-RFID-KIT02-R10	
Support Protocol	ISO 15693/ISO 14443A/ISO 14443B	
RF Frequency	13.56 MHz	
RFID IC	TI TRF7960	
Operating Distance	2-3cm	
Interface	USB	
Driver Support	Windows® 2000 Windows® XP Windows® 7/8 Windows® 10	Windows® Server 2003 Windows® Server 2008 Windows® Server 2008 R2 (x86 and x64)

- COM Port Settings and Activation Area**
 Allows the user to select the serial port that communicates with the RFID reader module.
- Commands Area**
 Displays various command options for user to select.
- Data Input Area**
 The data input area is where the user enters block number, key, key data, and other information required by certain commands.
- Raw Data Display Area**
 Shows all communication logs and responses of the executed commands.
- Mifare Card ID Display Area**
 Displays the Mifare card ID when the Mifare card is detected.
- Error Code Display Area**
 Shows the error message when an error occurs.

B. 1D/2D Barcode Reader

Modularized 1D/2D Barcode Scanner and Easy to Assemble

- Accurately decodes all 1D and 2D codes, even wrinkled, damaged or poorly printed
- 752×480 CMOS sensor captures high resolution images for decoding
- Horizontal 42° and Vertical 27.5° large scanning area



Technology	1D Code	2D Code
Read Condition	20 to 25 characters	100 to about 2,000 characters



Efficient Scanning Performance

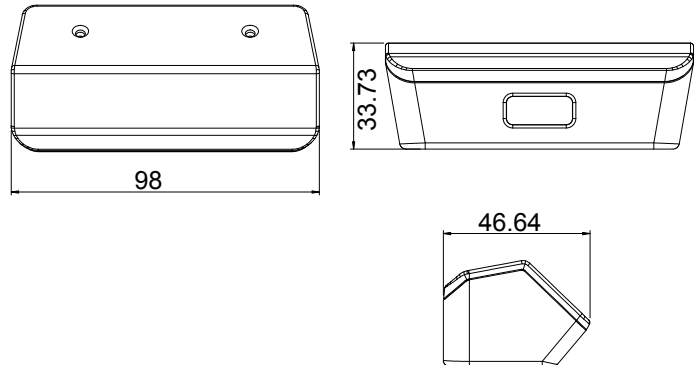
- Area-scanning features non-direction reading drive scanning performance
- 120 mm scanning distance



» AFL3-2D Specifications



AFL3-2D-R11 Dimensions (Unit: mm)



Model		AFL3-2D-R11
Image Sensor		752 × 480 CMOS
Illumination		Red LED 625±10 nm
Symbologies	2D	PDF417, Data Matrix (ECC200,ECC000,050,080,100,140), QR Code, etc.
	1D	Code128, EAN-13, EAN-8, Code39, UPC-A, UPC-E, Codabar, Interleaved 2 of 5, ITF-6, ITF-14, ISBN, Code 93, UCC/EAN-128, GS1 Databar, Matrix 2 of 5, Code 11, Industrial 2 of 5, Standard 2 of 5, Plessey, MSI-Plessey, etc.
Reading Precision		≥ 5mil
Depth of Field	UPC-A	55mm - 305mm (13mil);
	PDF417	65mm - 175mm (6.67mil); 50mm - 215mm (10mil)
	Data Matrix	50mm - 220mm (15mil);
	QR Code	65mm - 235mm (15mil)
Symbol Contrast		≥ 25%
Field of View		Horizontal 42°; Vertical 27.5°
Scan Angle**		Roll: 360°; Pitch: ±55°; Skew: ±55°
Interface		USB
Operating Temperature		-20°C to +60°C
Storage Temperature		-40°C to +80°C
Humidity		5% to 95% (non-condensing)
Ambient Light		0 ~ 100,000 LUX (natural light)
Scanning prompt		Buzzer

» Magnetic Card Reader

Model	AFLP-12AMSR-U-R11
Scan Speed	100 - 1000 mm / sec (3.9 - 39 inch / sec)
Direction	Bi-direction
Life Cycle	Approx. 300,000 passes
MTBF	24,000 hours
Interface	USB
Dimensions	21 cm X 11.7 cm X 5 cm
Weight	220 g
Temperature	-20 oC to 60 oC (-4 oF to 140 oF)
Humidity	20% to 95%



AFOLUX GEN III Selection Guide



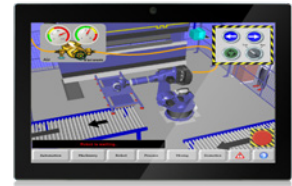
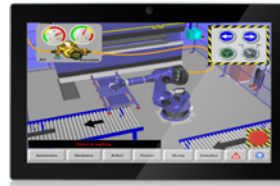
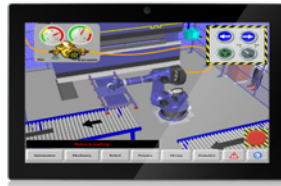
LCD Size		7"	8.4"	10.1"
Model		AFL3-W07A-BT	AFL3-08A-BT	AFL3-W10A-BT
LCD	Size	7"	8.4"	10.1"
	Resolution	1024 x 600 (16:9)	800 x 600 (4:3)	1280 x 800 (16:10)
	Brightness (cd/m ²)	500	450	350
	Contrast Ratio	700:1	600:1	800:1
	LCD Color	16.2M	16.2M	16.2M
	Pixel Pitch (mm)	0.0635 (H) x 0.1905 (V)	0.213 (H) x 0.213 (V)	0.1695 (H)x0.1695 (V)
	Viewing Angle (H-V)	150° / 145°	160° / 140°	170° / 170°
	Backlight MTBF(hrs)	20000 hrs	50000 hrs	15000 hrs
Touch	Touch Screen	Projected capacitive with USB interface (anti-UV / anti-glare coating)	5-wire resistive with RS-232 interface (anti-glare coating) Projected capacitive with USB interface (anti-UV / anti-glare coating)	Projected capacitive with USB interface (anti-UV / anti-glare coating)
	Touch Controller	EETI EXC3160	PenMount DMC 9000/EETI EXC3146	EETI EXC3146
Motherboard	CPU	Intel® Celeron® N2807 (dual core, 1.58 GHz)	Intel® Celeron® J1900 (quad core, 2.0 GHz)	Intel® Celeron® J1900 (quad core, 2.0 GHz)
	RAM	2GB DDR3L onboard RAM/ 4GB DDR3L onboard RAM	One 204-pin 2 GB 1333MHz single-channel, 2GB DDR3L SO-DIMM pre-installed (system max. 8GB)	One 204-pin 2 GB 1333MHz single-channel, 2GB DDR3L SO-DIMM pre-installed (system max. 8GB)
	Ethernet	2 x PCIe GbE by RTL8111E controller		
	Audio Codec	ALC892		
Storage	mSATA		mSATA	1 x mSATA (E-Window)
I/O Ports & Switch	2 x RS-232 COM port (DB-9 connector) 2 x USB 3.1 Gen 1 (5Gb/s) 2 x GbE LAN 1 x Power switch 1 x Reset button 1 x AT/ATX switch 1 x 9-30V Lockable power jack	1 x RS-232 COM port (RJ-45 connector) 1 x RS-232/422/485 COM port (DB-9 connector) (RI/5V/12V) 2 x USB 3.1 Gen 1 (5Gb/s) 2 x RJ-45 for GbE LAN 1 x Power switch 1 x Audio port (line-out) 1 x Reset button 1 x AT/ATX switch 1 x 9-30V DC Lockable power jack	1 x RS-232 COM port (RJ-45 connector) 1 x RS-232/422/485 COM port (DB-9 connector) (RI/5V/12V) 2 x USB 3.1 Gen 1 (5Gb/s) 2 x USB 2.0 2 x RJ-45 for GbE LAN 1 x Power switch 1 x Audio port (line-out) 1 x Reset button 1 x AT/ATX switch 1 x 9-30V DC lockable power jack	
Audio	AMP 2W (internal speaker, left channel output)	AMP 2W + 2W (internal speaker)	AMP 2W + 2W (internal speaker)	
Camera and Microphone	N/A	2-megapixel with low light function, digital microphone		
Wireless & Bluetooth	IEEE 802.11 a/b/g/n/ac, Bluetooth V4.0 half-size mini-PCIe slot (PCIe/USB signal)	IEEE 802.11a/b/g/n/ac half-size mini-PCIe slot (PCIe signal)		
OSD Function	Software OSD			
Physical	Front Panel Construction	PC + ABS Plastic		
	Mounting	Panel, Wall, Stand, Arm, Rack VESA 75mm x 75mm		
	Color	Black C		
	Dimensions (WxHxD) (mm)	191 x 127 x 43	233 x 175 x 50	262 x 181 x 42
	Cut-out Dimensions (WxH) (mm)	182 x 111	207 x 143	236 x 149
	Net/Gross Weight (kgs)	0.73/1.81	0.8/2.44	1.06/2.58
Environment	Operating Temperature (°C) (Ambient with air flow)	-20°C~50°C	-15°C~55°C	-10°C~50°C
	Storage Temperature (°C)	-20°C~60°C	-20°C~65°C	-20°C~60°C
	Humidity	10% to 95% (non-condensing)		
	IP Level	IP 65 compliant front panel	IP 64 compliant front panel	
	Safety&EMC	CE / FCC		
Thermal Solution	Fanless			
Power	Power Requirement	9 V ~ 30 V DC		
	Power Consumption	12V@2.08 (Intel® N2807 CPU with 2GB 1333 MHz DDR3L memory)	12V@2A (Intel® J1900 CPU with 2GB 1333 MHz DDR3L memory)	12V@2.3A (Intel® J1900 CPU with 2GB 1333 MHz DDR3L memory)

AFOLUX GEN III Selection Guide



LCD Size		12.1"	
Model		AFL3-12A-BT	AFL3-12C-ULT3
LCD	Size	12.1"	12.1"
	Resolution	1024 x 768 (4:3)	1024 x 768 (4:3)
	Brightness (cd/m ²)	500	500
	Contrast Ratio	700:1	700:1
	LCD Color	16.2M	16.2M
	Pixel Pitch (mm)	0.240 (H) x 0.240 (V)	0.240 (H) x 0.240 (V)
	Viewing Angle (H-V)	160° / 160°	160° / 160°
	Backlight MTBF(hrs)	50000 hrs	50000 hrs
Touch	Touch Screen	5-wire resistive with RS-232 interface (anti-glare coating) Projected capacitive with USB interface (anti-UV / anti-glare coating)	Projected capacitive with USB interface (anti-UV / anti-glare coating)
	Touch Controller	PenMount DMC9000/ EETI EXC3146	EETI EXC3180
Motherboard	CPU	Intel® Celeron® J1900 (quad core, 2.0 GHz)	6th Generation Intel® Core™ i5 and Celeron® on-board processor
	RAM	One 204-pin 2 GB 1333MHz single-channel, 2GB DDR3L SO-DIMM pre-installed (system max. 8GB)	One 260-pin 2133MHz single-channel, 4GB DDR4 SO-DIMM pre-installed (system max. 8GB)
	Ethernet	2 x PCIe GbE by RTL8111E controller	2 x PCIe GbE by Intel® i211 controller
	Audio Codec	ALC892	ALC892
Storage	1 x mSATA (E-Window) 1 x 2.5" SATA 3Gb/s HDD bay	1 x mSATA (E-Window) 1 x 2.5" SATA 3Gb/s HDD bay	
I/O Ports & Switch	1 x RS-232 COM port (RJ-45 connector) 1 x RS-232/422/485 COM port (DB-9 connector)(R/5V/12V) 2 x USB 3.1 Gen 1 (5Gb/s) 2 x USB 2.0 2 x RJ-45 for GbE LAN 1 x Power switch 1 x Audio port (line-out) 1 x Reset button 1 x AT/ATX switch 1 x 9-30V lockable power jack	1 x RS-232/422/485 (DB-9) 1 x RS232 (RJ-45) 2 x GbE LAN 2 x USB 2.0 2 x USB 3.1 Gen 1 (5Gb/s) 1 x DC jack (12-30V DC) 1 x HDMI 1 x Power switch 1 x Reset button 1 x AT/ATX switch	
E-Window Expansion	Yes, optional (full-size mini-PCIe slot with PCIe/SATA/USB)	Yes, optional (full-size mini-PCIe slot with PCIe/SATA/USB)	
Audio	AMP 3W + 3W (internal speaker)	AMP 3W + 3W (internal speaker)	
Camera and Microphone	2-megapixel with low light function, digital microphone		
Wireless	IEEE 802.11a/b/g/n/ac half-size mini-PCIe slot (PCIe signal)	IEEE 802.11 a/b/g/n/ac, Bluetooth V4.1 M.2 slot A+E key 2230 slot (PCIe/USB signal)	
OSD Function	Software OSD		
Physical	Front Panel Construction	PC + ABS Plastic	
	Mounting	Panel, Wall, Rack, Stand and Arm VESA 75mm x 75mm / 100mm x 100mm	Panel, Wall, Stand and Arm VESA 75mm x 75mm / VESA 100mm x 100mm
	Color	Black C	
	Dimensions (WxHxD) (mm)	304 x 243 x 44	304 x 243 x 58
	Cut-out Dimensions (WxH) (mm)	243 x 205	272 x 223
	Net/Gross Weight (kgs)	1.92/3.95	3/5.03
Environment	Operating Temperature (Ambient with air flow)	-20°C~50°C	-20°C ~ 50°C
	Storage Temperature	-20°C~60°C	-30°C ~ 60°C
	Humidity	10% to 95% (non-condensing)	
	IP Level	IP 64 compliant front panel	
	Safety&EMC	CE / FCC	CE , FCC , ErP 2009/125/EC
Thermal Solution	Fanless		
Power	Power Requirement	9 V ~ 30 V DC	12 V ~ 30 V DC
	Power Consumption	12V@3.58A (Intel® J1900 CPU with 2GB 1333 MHz DDR3L memory)	12V@6A (Intel® Core™ i5-6300U CPU with 4GB DDR4 2133 MHz DDR4 memory)

AFOLUX GEN III Selection Guide



LCD Size		15.6"		
Model		AFL3-W15A-BT	AFL3-W15B-H81	AFL3-W15C-ULT3
LCD	Size	15.6"		
	Resolution	1366 x 768 (16:9)		
	Brightness (cd/m ²)	400		
	Contrast Ratio	500:1		
	LCD Color	16.2M		
	Pixel Pitch (mm)	0.240 (H) x 0.240 (V)		
	Viewing Angle (H-V)	170° / 160°		
	Backlight MTBF(hrs)	50000 (LED backlight)		
Touch	Touch Screen	5-wire resistive with RS-232 interface (anti-glare coating), Projected capacitive with USB interface (anti-UV / anti-glare coating)		
	Touch Controller	PenMount DMC9000 / EETI EXC3188	PenMount DMC9000 / EETI EXC7200	PenMount DMC9000 / EETI EXC3188
Motherboard	CPU	Intel® Celeron® J1900 (quad core, 2 GHz)	Intel® Core™ i7/i5/i3, Pentium®, Celeron® processor (TDP 35W)	6th Generation Intel® Core™ i5 and Celeron® on-board processor
	Chipset		Intel® H81	
	RAM	One 204-pin 1333 MHz single-channel DDR3L SO-DIMM, 2GB pre-installed (system max. 8GB)	Two 204-pin 1333 MHz single-channel DDR3 SO-DIMM, 4GB pre-installed (system max. 16GB)	Two 260-pin 2133/1867 MHz dual-channel DDR4 SO-DIMMs (system max. 32 GB)
	Ethernet	2 x PCIe GbE by RTL8111E controller		2 x Intel® I211 PCIe GbE controller
	Audio Codec	ALC892		
Storage	1 x mSATA (E-Window) 1 x 2.5" SATA 3Gb/s HDD bay		1 x mSATA (E-Window) 1 x 2.5" SATA 3Gb/s HDD bay 1 x M.2 M key PCIe (2280 or 22110)	
I/O Ports & Switch	1 x RS-232 COM port (RJ-45 connector) 1 x RS-232/422/485 COM port (DB-9 connector) (RI/5V/12V) 2 x USB 2.0 2 x USB 3.1 Gen 1 (5Gb/s) 2 x GbE LAN 1 x Power switch 1 x Reset button 1 x AT/ATX switch 1 x Audio port (line-out) 1 x 9-30V lockable power jack	1 x RS-232 COM port (DB-9 connector) 1 x RS-232/422/485 COM port (DB-9 connector) (RI/5V/12V) 2 x GbE LAN 4 x USB 2.0 2 x USB 3.1 Gen 1 (5Gb/s) 1 x HDMI output 1 x Power switch 1 x Reset button 1 x AT/ATX switch 1 x Audio port (line-out) 1 x 9-30V lockable power jack	1 x RS-232 by DB-9 (RI/5V/12V) 1 x RS-232/422/485 by DB-9 (RI/5V/12V) 2 x GbE LAN 4 x USB 3.1 Gen 1 (5Gb/s) 1 x HDMI output 1 x Power switch 1 x Reset button 1 x AT/ATX switch 1 x 9-30V lockable power jack	
E-Window Expansion	Yes, optional (full-size mini-PCIe slot with PCIe/SATA/USB)	N/A	Yes, optional (full-size mini-PCIe slot with PCIe/SATA/USB)	
Audio	AMP 3W + 3W (internal speakers)			
Camera and Microphone	2-megapixel with low light function, digital microphone			
Wireless & Bluetooth	IEEE 802.11a/b/g/n/ac half-size mini-PCIe slot (PCIe signal)	IEEE 802.11 a/b/g/n/ac, Bluetooth V4.0 half-size mini-PCIe slot (PCIe/USB signal)	IEEE 802.11 a/b/g/n/ac, Bluetooth V4.1 M.2 slot A+E key 2230 slot (PCIe/USB signal)	
OSD Function	Software OSD			
Physical	Front Panel Construction	PC + ABS Plastic		
	Mounting	Panel, Wall, Rack, Stand and Arm VESA 75mm x 75mm / 100mm x 100mm		
	Color	Black C		
	Dimensions (WxHxD) (mm)	396 x 250 x 53	396 x 250 x 59	396 x 250 x 64
	Cut-out Dimensions (WxH) (mm)	273 x 226	369 x 226	369 x 226
	Net/Gross Weight (kgs)	3.3/5.6	3.74/5.74	4.5/6.5
Environment	Operating Temperature (°C) (Ambient with air flow)	-20°C~50°C	0°C~50°C	-20°C~50°C
	Storage Temperature (°C)	-20°C~60°C		
	Humidity	10% to 95% (non-condensing)		
	IP Level	IP 64 compliant front panel		
	Safety & EMC	CE / FCC		
	Thermal Solution	Fanless	Smart Fan	Fanless
Power	Power Requirement	9 V ~ 30 V		
	Power Consumption	12V@4.16A (Intel® J1900 CPU with 2GB 1333 MHz DDR3 memory)	12V@6.33A (Intel® Pentium® G3320TE CPU with 4GB 1333 MHz DDR3L memory)	12V@.6A (Intel® Core™ i5-6300U CPU with 4GB DDR4 2133 MHz DDR4 memory)

AFOLUX GEN III Selection Guide



LCD Size		18.5"		21.5"
Model		AFL3-W19C-ULT3	AFL3-W19A-AL	AFL3-W22C-ULT3
LCD	Size	18.5"	18.5"	21.5"
	Resolution	1366 x 768 (16:9)	1366 x 768 (16:9)	1920 x 1080
	Brightness (cd/m ²)	250		
	Contrast Ratio	1000:1		
	LCD Color	16.7M	262K	16.7M
	Pixel Pitch (mm)	0.240 (H) x 0.240 (V)	0.240 (H) x 0.240 (V)	248.25 (H) x 248.25 (V)
	Viewing Angle (H-V)	170°/160°		
	Backlight MTBF(hrs)	30,000 (LED backlight panel)		
Touch	Touch Screen	Projected capacitive with USB interface (anti-UV / anti-glare coating)		
	Touch Controller	EETI EXC3180	EETI EXC3188	EETI EXC3180
Motherboard	CPU	Intel® Core™ i5 and Celeron® ULT Processor	Intel® Celeron® J3455 (quad core, 1.5GHz up to 2.3 GHz)	Intel® Core™ i5 and Celeron® ULT Processor
	RAM	Two 260-pin 2133/1867 MHz dual-channel DDR4 SO-DIMMs (system max. 32 GB)	One 204-pin 1600/1333 MHz single-channel DDR3L SO-DIMM, 4GB pre-installed (system max. 8GB)	Two 260-pin 2133/1867 MHz dual-channel DDR4 SO-DIMMs (system max. 32 GB)
	Ethernet	2 x Intel® I211-AT PCIe GbE controller	2 x PCIe GbE by Intel® i211 controller	2 x Intel® I211-AT PCIe GbE controller
	Audio Codec	ALC892	ALC269	ALC892
Storage	1 x mSATA (E-Window) 1 x 2.5" SATA 3Gb/s HDD bay 1 x M.2 M key PCIe (2280 or 22110)	1 x mSATA (E-Window) 1 x 2.5" SATA 3Gb/s HDD bay	1 x mSATA (E-Window) 1 x 2.5" SATA 3Gb/s HDD bay 1 x M.2 M key PCIe (2280 or 22110)	
I/O Ports & Switch	1 x RS-232 by DB-9 (RI/5V/12V) 1 x RS-232/422/485 by DB-9 (RI/5V/12V) 2 x GbE LAN 4 x USB 3.1 Gen 1 (5Gb/s) 1 x HDMI output 1 x Power switch 1 x Reset button 1 x AT/ATX switch 1 x 9V ~ 30V lockable power jack	1 x RS-232/422/485 by RJ-45 1 x RS-232 by RJ-45 2 x GbE LAN 2 x USB 3.1 Gen 1 (5Gb/s) 2 x USB 2.0 1 x HDMI output 1 x 12V ~ 34V DC Jack 1 x Power switch 1 x AT/ATX switch 1 x Line out	1 x RS-232 by DB-9 (RI/5V/12V) 1 x RS-232/422/485 by DB-9 (RI/5V/12V) 2 x GbE LAN 4 x USB 3.1 Gen 1 (5Gb/s) 1 x HDMI output 1 x Power switch 1 x Reset button 1 x AT/ATX switch 1 x 9-30V lockable power jack	
E-Window Expansion	Yes, optional (full-size mini-PCIe slot with PCIe/SATA/USB)			
Audio	AMP 3W + 3W (internal speaker)			
Camera and Microphone	2-megapixel with low light function, digital microphone			
Wireless & Bluetooth	IEEE 802.11 a/b/g/n/ac, Bluetooth V4.1 M.2 slot A+E key 2230 slot (PCIe/USB signal)			
OSD Function	Software OSD			
Physical	Front Panel Construction	PC + ABS Plastic		
	Mounting	Panel, Wall, Stand and Arm VESA 75mm x 75mm / 100mm x 100mm	Panel, Wall, Stand and Arm VESA 100mm x 100mm	Panel, Wall, Stand and Arm VESA 75mm x 75mm / 100mm x 100mm
	Color	Black C		
	Dimensions (W x H x D) (mm)	470 x 290 x 70	470 x 280 x 60	528 x 336 x 68
	Cut-out Dimensions (W x H) (mm)	443 x 261	418 x 230	502 x 303
	Net/Gross Weight (kgs)	7.3/10	6.3/9	8.27/11.27
Environment	Operating Temperature (Ambient with air flow)	-20°C ~ 50°C	-15°C ~ 50°C	-20°C ~ 50°C
	Storage Temperature	-20°C ~ 60°C		
	Humidity	10% to 95% (non-condensing)		
	IP Level	IP 64 compliant front panel		
	Safety & EMC	CE / FCC		
	Thermal Solution	Fanless		
Power	Power Requirement	9V ~ 30V DC	12V ~ 34V DC	9V ~ 30V DC
	Power Consumption	12V@7.1A (Intel® Core™ i5-6300U CPU with 4GB DDR4 2133 MHz DDR4 memory)	12V@3.2A (Intel® Celeron J3455 CPU with 4GB DDR3L 1866 MHz DDR3L memory)	12V@6A (Intel® Core™ i5-6300U CPU with 4GB DDR42133 MHz DDR4 memory)

AFL3-W07A-BT

Intel® Celeron® N2807 (Dual Core, 1.58 GHz)

AFL3-08A-BT

Intel® Celeron® J1900 (Quad Core, 2.0 GHz)



Features

- W7"~8.4" light industrial interactive panel PC
- 9 V ~ 30 V wide range DC input with lockable DC jack
- Selectable AT/ATX power mode
- Built-in speakers
- One mSATA slot
- IP64/IP65 compliant front panel
- IEI One Key Recovery solution allows you to create rapid OS backup and recovery (suggested with over 4GB storage capacity)



Specifications

Model		AFL3-W07A-BT	AFL3-08A-BT	
LCD	Size	7"	8.4"	
	Resolution	1024 x 600 (16:9)	800 x 600 (4:3)	
	Brightness (cd/m ²)	500	450	
	Contrast Ratio	700:1	600:1	
	LCD Color	16.2M	16.2M	
	Pixel Pitch (mm)	0.0635 (H) x 0.1905 (V)	0.213 (H) x 0.213 (V)	
	Viewing Angle (H-V)	150° / 145°	160° / 140°	
	Backlight MTBF(hrs)	20000 hrs	50000 hrs	
Touch	Touch Screen	Projected capacitive with USB interface (anti-UV / anti-glare coating)	5-wire resistive with RS-232 interface (anti-glare coating) Projected capacitive with USB interface (anti-UV / anti-glare coating)	
	Touch Controller	EETI EXC3160	PenMount DMC 9000/EETI EXC3146	
Motherboard	CPU	Intel® Celeron® N2807 (dual core, 1.58 GHz)	Intel® Celeron® J1900 (quad core, 2.0 GHz)	
	RAM	2GB DDR3L onboard RAM/ 4GB DDR3L onboard RAM	One 204-pin 2 GB 1333MHz single-channel, 2GB DDR3L SO-DIMM pre-installed (system max. 8GB)	
	Ethernet	2 x PCIe GbE by RTL8111E controller	2 x PCIe GbE by RTL8111E controller	
	Audio Codec	ALC892	ALC892	
Storage	mSATA			
I/O Ports & Switch	2 x RS-232 COM port (DB-9 connector) 2 x USB 3.1 Gen 1 (5Gb/s) 2 x GbE LAN 1 x Power switch 1 x Reset button 1 x AT/ATX switch 1 x 9-30V Lockable power jack		1 x RS-232 COM port (RJ-45 connector) 1 x RS-232/422/485 COM port (DB-9 connector) (RI/5V/12V) 2 x USB 3.1 Gen 1 (5Gb/s) 2 x RJ-45 for GbE LAN 1 x Power switch 1 x Audio port (line-out) 1 x Reset button 1 x AT/ATX switch 1 x 9-30V DC Lockable power jack	
	Audio	AMP 2W (internal speaker, left channel output)	AMP 2W + 2W (internal speaker)	
	Camera and Microphone	N/A	2-megapixel with low light function, digital microphone	
	Wireless & Bluetooth	IEEE 802.11 a/b/g/n/ac, Bluetooth V4.0 half-size mini-PCIe slot (PCIe/USB signal)	IEEE 802.11a/b/g/n/ac half-size mini-PCIe slot (PCIe signal)	
	OSD Function	Software OSD		
	Physical	Front Panel Construction	PC + ABS Plastic	
		Mounting	Panel, Wall, Stand, Arm, Rack VESA 75mm x 75mm	
Color		Black C		
Dimensions (WxHxD) (mm)		191 x 127 x 43	233 x 175 x 50	
Cut-out Dimensions (WxH) (mm)		182 x 111	207 x 143	
Net/Gross Weight (kgs)		0.73/1.81	0.8/2.44	
Environment	Operating Temperature (°C) (Ambient with air flow)	-20°C~50°C	-15°C~55°C	
	Storage Temperature (°C)	-20°C~60°C	-20°C~65°C	
	Humidity	10% to 95% (non-condensing)		
	IP Level	IP 65 compliant front panel	IP 64 compliant front panel	
	Safety&EMC	CE / FCC		
Power	Thermal Solution	Fanless		
	Power Requirement	9 V ~ 30 V		
	Power Consumption	12V@2.08 (Intel® N2807 CPU with 2GB 1333 MHz DDR3L memory)	12V@2A (Intel® J1900 CPU with 2GB 1333 MHz DDR3L memory)	

Ordering Information

Part No.	Description
AFL3-W07A-BT-N1/PC/2G-R13	7" 500 cd/m ² 1024 x 600 HD fanless panel PC with Intel® Celeron® N2807 dual core 1.58 GHz, 802.11a/b/g/n/ac, projected capacitive touch screen, on-board 2GB DDR3L RAM, R13
AFL3-W07A-BT-N1/PC/4G-R13	7" 500 cd/m ² 1024 x 600 HD fanless panel PC with Intel® Celeron® N2807 dual core 1.58 GHz, 802.11a/b/g/n/ac, projected capacitive touch screen, on-board 4GB DDR3L RAM, R13
AFL3-W07A-BT-N1/PC/2G/MF-R13	7" 500 cd/m ² 1024 x 600 HD fanless panel PC with Intel® Celeron® N2807 dual core 1.58 GHz, 802.11a/b/g/n/ac, projected capacitive touch screen, on-board 2GB DDR3L RAM, Mifare RFID, R13
AFL3-08A-BT-J1/PC/2G-R13	8.4" 450cd/m ² SVGA fanless panel PC with Intel® Celeron® J1900 quad core 2 GHz, 802.11a/b/g/n/ac wireless module, projected capacitive touch screen, 2GB DDR3L RAM, R13
AFL3-08A-BT-J1/R/2G-R13	8.4" 450cd/m ² SVGA fanless panel PC with Intel® Celeron® J1900 quad core 2 GHz, 802.11 a/b/g/n/ac wireless module, resistive touch window, 2GB DDR3L RAM, R13

Options

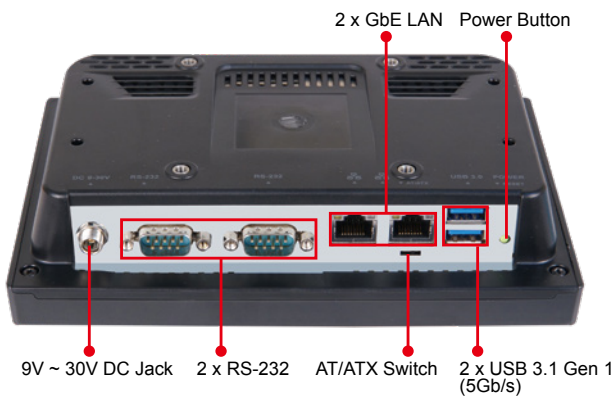
Item	AFL3-W07A-BT	AFL3-08A-BT
Panel Mounting Kit	AFL3PK-W07A-R11	AFL3PK-08A-R10
Wall Mounting Kit	AFLWK-12	AFLWK-12
Rack Mounting Kit	AFL3RK-W07A-R11	AFL3RK-08A-R10
Arm	ARM-11-RS/ARM-31-RS	ARM-11-RS/ARM-31-RS
Stand	STAND-B08/STAND-100-RS	STAND-B08/STAND-100-RS
V-Stand	VSTAND-A07-R11	VSTAND-A10-R11
Magnetic Card Reader	AFL3P-W7MSR-U-R10	AFL3P-W10MSR-U-R10
Barcode Scanner	N/A	AFL3-2D-R11
RFID Reader (13.56 MHz Mifare Type)	AFL3-W07A-BT-N1/PC/2G/MF-R12	N/A (Customized by project base)
*OS: Win 7 Embedded (64-bit)	AFL3-W07A-BT-WES7P64-R11 (for PCAP touch)	AFL3-W07A-BT-WES7P64-R11 (for PCAP touch) AFL3-W07A-BT-WES7E64-R11 (for Resistive touch)
*OS: Win 8 Embedded (64-bit)	AFL3-W07A-BT-WE8S64-R10	
*OS: Win 10 IOT Enterprise (64-bit)	AFL3-W07A-BT-W10E64-E-R10	

*OS image with CD-ROM without storage

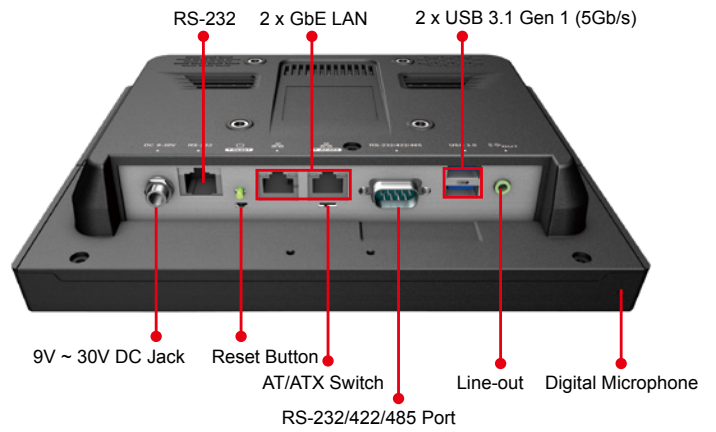
Packing List

Item	Part No.	Q'ty	Remark
Setting kit	46003-002600-RS	2	
Round head machine screw	44003-020041-RS	2	M2*4 round head machine screw
	44003-020041-RS	4	M2*4 round head machine screw
Pan head machine screw	44403-040061-RS	4	M4*6 pan head machine screw
Fix holder	46003-009500-RS	2	
Power cord	32702-000400-200-RS	1	
	32702-000200-100-RS	1	
Power adapter	63040-010036-121-RS	1	36W; Vin: 90V~264V AC; Vout: 12VDC; Φ2.5/Φ5.5/lock
RJ-45 to DB-9 COM port transfer cable	32005-004600-100-RS (AFL3-08A)	1	300mm, 26AWG, (A) D-SUB 9 male, (B) RJ-45
Touch pen	43125-0002C0-00-RS	1	Resistive touch screen only

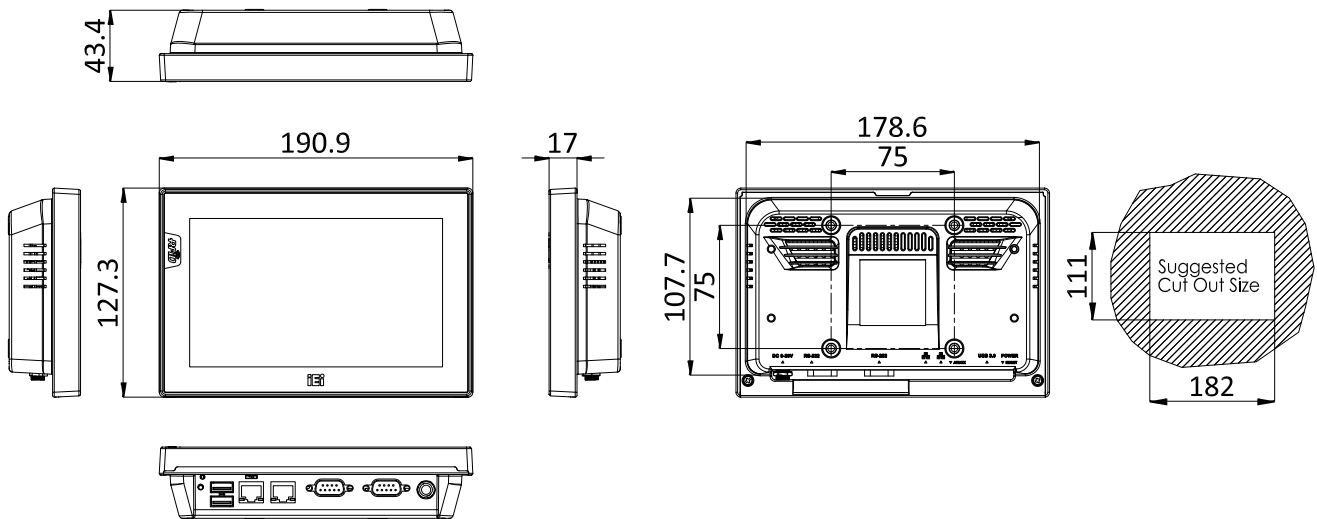
AFL3-W07A
Fully Integrated I/O



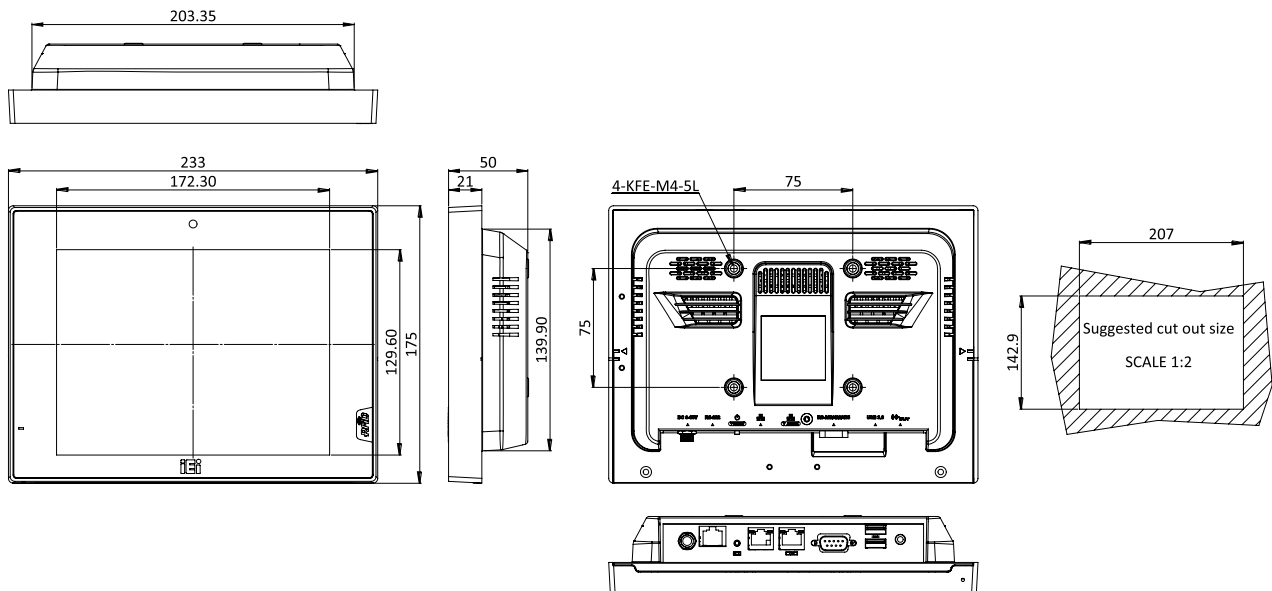
AFL3-08A
Fully Integrated I/O



AFL3-W07A-BT Dimensions (Unit: mm)



AFL3-08A-BT Dimensions (Unit: mm)



AFL3-W10A-BT

Intel® Celeron® J1900 (Quad Core, 2.0 GHz)

AFL3-12A-BT

Intel® Celeron® J1900 (Quad Core, 2.0 GHz)

AFL3-12C-ULT3

Intel® Core™ i5 and Celeron® ULT Processor



Features

- W10"~12.1" light industrial interactive panel PC
- Wide range DC input with lockable DC jack
- Selectable AT/ATX power mode
- Built-in speakers
- One mSATA slot
- IP64 compliant front panel
- IEI One Key Recovery solution allows you to create rapid OS backup and recovery (suggested with over 4GB storage capacity)



Specifications

Model		AFL3-W10A-BT	AFL3-12A-BT	AFL3-12C-ULT3	
LCD	Size	10.1"	12.1"	12.1"	
	Resolution	1280 x 800 (16:10)	1024 x 768 (4:3)	1024 x 768 (4:3)	
	Brightness (cd/m ²)	350	500	500	
	Contrast Ratio	800:1	700:1	700:1	
	LCD Color	16.2M	16.2M	16.2M	
	Pixel Pitch (mm)	0.1695 (H) x 0.1695 (V)	0.240 (H) x 0.240 (V)	0.240 (H) x 0.240 (V)	
	Viewing Angle (H-V)	170° / 170°	160° / 160°	160° / 160°	
	Backlight MTBF(hrs)	15000 hrs	50000 hrs	50000 hrs	
Touch	Touch Screen	Projected capacitive with USB interface (anti-UV / anti-glare coating)	5-wire resistive with RS-232 interface (anti-glare coating) Projected capacitive with USB interface (anti-UV / anti-glare coating)	Projected capacitive with USB interface (anti-UV / anti-glare coating)	
	Touch Controller	EETI EXC3146	PenMount DMC9000/ EETI EXC3146	EETI EXC3180	
Motherboard	CPU	Intel® Celeron® J1900 (quad core, 2.0 GHz)	Intel® Celeron® J1900 (quad core, 2.0 GHz)	6th Generation Intel® Core™ i5 and Celeron® on-board processor	
	RAM	One 204-pin 2 GB 1333MHz single-channel, 2GB DDR3L SO-DIMM pre-installed (system max. 8GB)	One 204-pin 2 GB 1333MHz single-channel, 2GB DDR3L SO-DIMM pre-installed (system max. 8GB)	One 260-pin 2133MHz single-channel, 4GB DDR4 SO-DIMM pre-installed (system max. 8GB)	
	Ethernet	2 x PCIe GbE by RTL8111E controller	2 x PCIe GbE by RTL8111E controller	2 x PCIe GbE by Intel® i211 controller	
	Audio Codec	ALC892	ALC892	ALC892	
Storage	1 x mSATA (E-Window)	1 x mSATA (E-Window) 1 x 2.5" SATA 3Gb/s HDD bay	1 x mSATA (E-Window) 1 x 2.5" SATA 3Gb/s HDD bay		
I/O Ports & Switch		1 x RS-232 COM port (RJ-45 connector) 1 x RS-232/422/485 COM port (DB-9 connector) (RI/5V/12V) 2 x USB 3.1 Gen 1 (5Gb/s) 2 x USB 2.0 2 x RJ-45 for GbE LAN 1 x Power switch 1 x Audio port (line-out) 1 x Reset button 1 x AT/ATX switch 1 x 9-30V DC lockable power jack	1 x RS-232 COM port (RJ-45 connector) 1 x RS-232/422/485 COM port (DB-9 connector)(RI/5V/12V) 2 x USB 3.1 Gen 1 (5Gb/s) 2 x USB 2.0 2 x RJ-45 for GbE LAN 1 x Power switch 1 x Audio port (line-out) 1 x Reset button 1 x AT/ATX switch 1 x 9-30V lockable power jack	1 x RS-232/422/485 (DB-9) 1 x RS232 (RJ-45) 2 x GbE LAN 2 x USB 2.0 2 x USB 3.1 Gen 1 (5Gb/s) 1 x DC jack (12-30V DC) 1 x HDMI 1 x Power switch 1 x Reset button 1 x AT/ATX switch	
	E-Window Expansion	N/A	Yes, optional (full-size mini-PCIe slot with PCIe/SATA/USB)	Yes, optional (full-size mini-PCIe slot with PCIe/SATA/USB)	
	Audio	AMP 2W + 2W (internal speaker)	AMP 3W + 3W (internal speaker)	AMP 3W + 3W (internal speaker)	
	Camera and Microphone	2-megapixel with low light function, digital microphone			
	Wireless	IEEE 802.11a/b/g/n/ac half-size mini-PCIe slot (PCIe signal)		IEEE 802.11 a/b/g/n/ac, Bluetooth V4.1 M.2 slot A+E key 2230 slot (PCIe/USB signal)	
	OSD Function	Software OSD			
	Physical	Front Panel Construction	PC + ABS Plastic		
		Mounting	Panel, Wall, Stand, Arm VESA 75mm x 75mm	Panel, Wall, Rack, Stand and Arm VESA 75mm x 75mm / 100mm x 100mm	Panel, Wall, Stand and Arm VESA 75mm x 75mm / VESA 100mm x 100mm
		Color	Black C		
		Dimensions (WxHxD) (mm)	262 x 181 x 42	304 x 243 x 44	304 x 243 x 58
Cut-out Dimensions (WxH) (mm)		236 x 149	243 x 205	272 x 223	
Environment	Net/Gross Weight (kgs)	1.06/2.58	1.92/3.95	3/5.03	
	Operating Temperature (Ambient with air flow)	-10°C~50°C	-20°C~50°C	-20°C ~ 50°C	
	Storage Temperature	-20°C~60°C	-20°C~60°C	-30°C ~ 60°C	
	Humidity	10% to 95% (non-condensing)			
	IP Level	IP 64 compliant front panel			
	Safety&EMC	CE / FCC		CE , FCC , ErP 2009/125/EC	
	Thermal Solution	Fanless			
Power	Power Requirement	9 V ~ 30 V DC		12 V ~ 30 V DC	
	Power Consumption	12V@2.3A (Intel® J1900 CPU with 2GB 1333 MHz DDR3L memory)	12V@3.58A (Intel® J1900 CPU with 2GB 1333 MHz DDR3L memory)	12V@6A (Intel® Core™ i5-6300U CPU with 4GB DDR4 2133 MHz DDR4 memory)	

Ordering Information

Part No.	Description
AFL3-W10A-BT-J1/PC/2G-R13	10.1" 350cd/m ² 1280x800 fanless panel PC with Intel® Celeron® J1900 quad core 2 GHz, 802.11 a/b/g/n/ac wireless module, projected capacitive touch screen, 2GB DDR3L RAM , with AG, R13
AFL3-12A-BT-J1/PC/2G-R13	12.1" 500 cd/m ² XGA fanless panel PC with Intel® Celeron® J1900 quad core 2 GHz, 802.11a/b/g/n/ac wireless module, projected capacitive touch screen, 2GB DDR3L RAM , with AG, R13
AFL3-12A-BT-J1/R/2G-R13	12.1" 500 cd/m ² XGA fanless panel PC with Intel® Celeron® J1900 quad core 2 GHz, 802.11a/b/g/n/ac wireless module, resistive touch screen, 2GB DDR3L RAM , with AG, R13
AFL3-12C-ULT3-C/PC/4G-R10	12.1" 500cd/m ² 1024 x 768 panel PC with 6th generation 14nm Intel® mobile Celeron® 3855U (15W) on-board processor (ULT), one 4GB DDR4 RAM, 802.11a/b/g/n/ac Wi-Fi module, PCAP touch, 2-megapixel camera, microphone, R10
AFL3-12C-ULT3-i5/PC/4G-R10	12.1" 500 cd/m ² 1024 x 768 panel PC with 6th generation 14nm Intel® mobile Core™ i5-6300U (15W) on-board processor (ULT), one 4GB DDR4 RAM, 802.11a/b/g/n/ac Wi-Fi module, PCAP touch, 2-megapixel camera, microphone, R10
* AFL3-12C-ULT3-i5/R/4G-R10	12.1" 500 cd/m ² 1024x768 Panel PC with Intel® 14nm 6th Generation Mobile Core™ i5-6300U (15W) on-board Processor (ULT), 1*4GB DDR4 RAM, 802.11a/b/g/n/ac WiFi module, resistive touch, 2-megapixel camera, microphone, R10
* AFL3-12C-ULT3-C/R/4G-R10	12.1" 500 cd/m ² 1024x768 Panel PC with Intel® 14nm 6th Generation Mobile Celeron® 3855U (15W) on-board Processor (ULT), 1*4GB DDR4 RAM, 802.11a/b/g/n/ac WiFi module, resistive touch, 2-megapixel camera, microphone, R10

* by order MOQ 100pcs production

Options

Item	AFL3-W10A-BT	AFL3-12A-BT	AFL3-12C-ULT3
Panel Mounting Kit		AFL3PK-08A-R10	
Wall Mounting Kit	AFLWK-12	AFLWK-19B	AFLWK-19B
Rack Mounting Kit	AFL3RK-W10A-R10	AFL3RK-12A-R10	AFL3RK-12A-R10
Arm		ARM-11-RS/ARM-31-RS	
Stand	STAND-C12-R10	STAND-A12-RS/STAND-C12-R10/ STAND-100-RS	STAND-A12-RS/STAND-C12-R10/ STAND-100-RS
V-Stand	VSTAND-A10-R11	VSTAND-A12-R11	VSTAND-A12-R11
Magnetic Card Reader		AFL3P-W10MSR-U-R10	
Barcode Scanner		AFL3-2D-R11	
RFID Reader **(13.56 MHz Mifare Type) for ATO assembly	AFL3-MF-RFID-KIT02-R10	AFL3-MF-RFID-KIT02-R10**	AFL3-MF-RFID-KIT02-R10
OS: Win 7 Embedded (64-bit)	AFL3-W07A-BT-WES7P64-R11 (for PCAP touch)	AFL3-W07A-BT-WES7P64-R11* (for PCAP touch) AFL3-W07A-BT-WES7E64-R11* (for Resistive touch)	AFL3-12C-ULT3-WES7P64-R10* (for PCAP touch) AFL3-12C-ULT3-WES7E64-R10* (for Resistive touch)
*OS: Win 10 IOT Enterprise		AFL3-W07A-BT-W10E64-E-R10	AFL3-12C-ULT3-W10E64-V-R10

**RFID is supported from AFL3-xxA-BT R11 version

*OS image with CD-ROM without storage

E-Window (for ATO assembly)

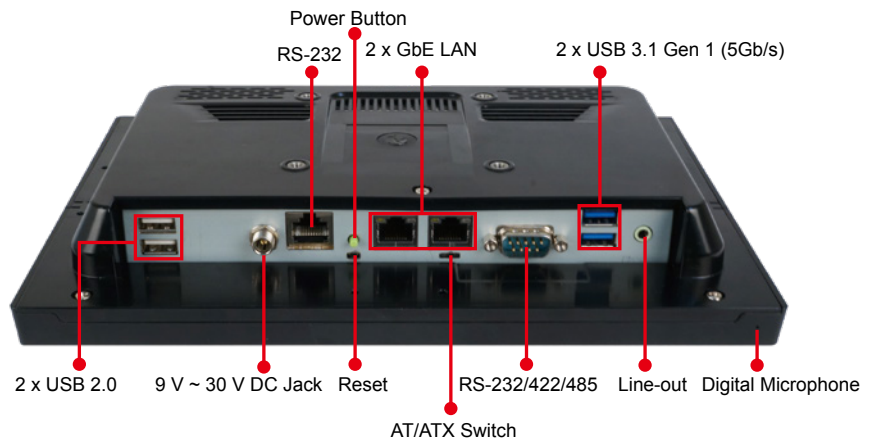
Part No.	Description	Supported Model
E-MPCIE-LAN-R10	PCIe Mini card supports 1-port GbE with Realtek RTL8111E controller, with PMS 194C I/O bracket and 250mm cable, R10	AFL3-12A-BT-J1/PC/2G-R12
E-MPCIE-DLAN-R10	PCIe Mini card supports 2-port GbE with Intel I211 controller, with PMS 194C I/O bracket and 250mm cable, R10	AFL3-12A-BT-J1/R/2G-R12 AFL3-12C-ULT3-C/PC/4G-R10
E-MPCIE-3G-R10	PCIe Mini card supports 3G WWAN, with PMS 130C I/O bracket, 300mm RF antenna cable and GSM antenna cable, R10	AFL3-12C-ULT3-i5/PC/4G-R10



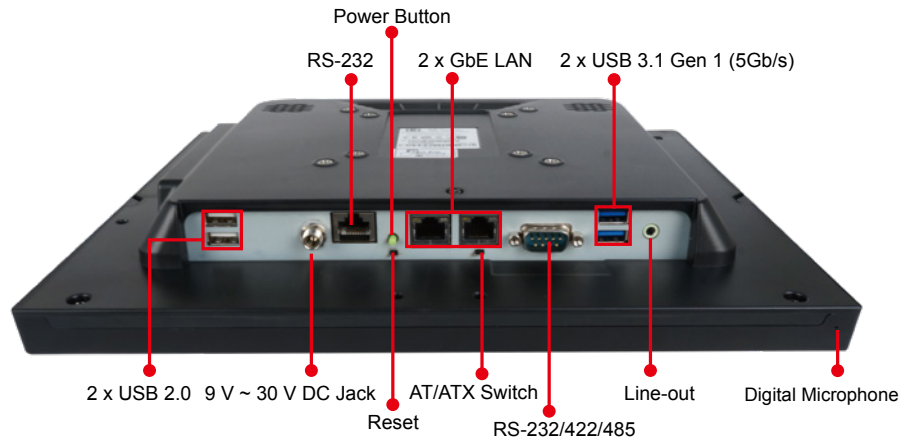
Packing List

Item	Part No.	Q'ty	Remark
Round head machine screw	44003-020041-RS (12A-BT)	2	M2*4 round head machine screw
Pan head machine screw	44403-040061-RS	4	M4*6 pan head machine screw
Fix holder	46003-009500-RS	2	
Power cord	32702-000200-100-RS	1	
Power adapter	63040-010036-121-RS (AFL3-W10A-BT) 63040-010060-120-RS (AFL3-12A-BT)	1	36W; Vin: 90V~264V AC; Vout: 12VDC 60W; Vin: 90V~264V AC; Vout: 12VDC
RJ-45 to DB-9 COM port transfer cable	32005-004600-100-RS	1	300mm, 26AWG, (A) D-SUB 9 male, (B) RJ-45
Touch pen	43125-0002C0-00-RS	1	Resistive touch screen only

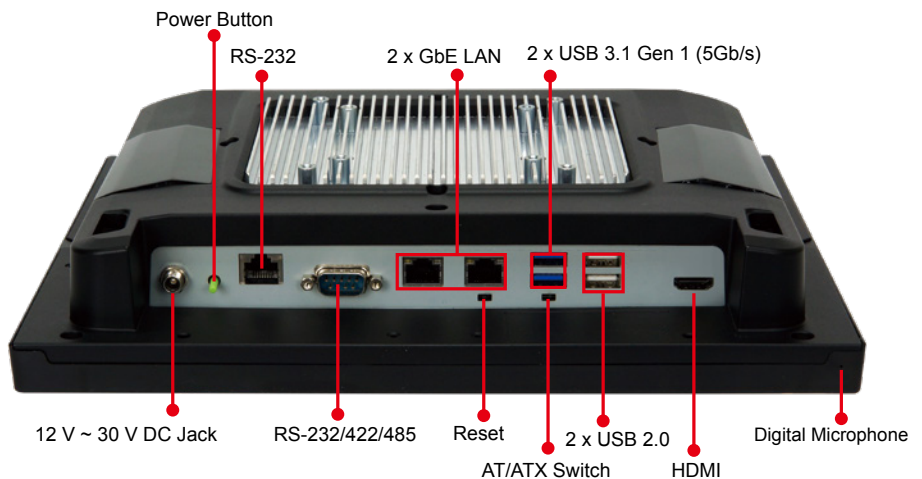
AFL3-W10A
Fully Integrated I/O



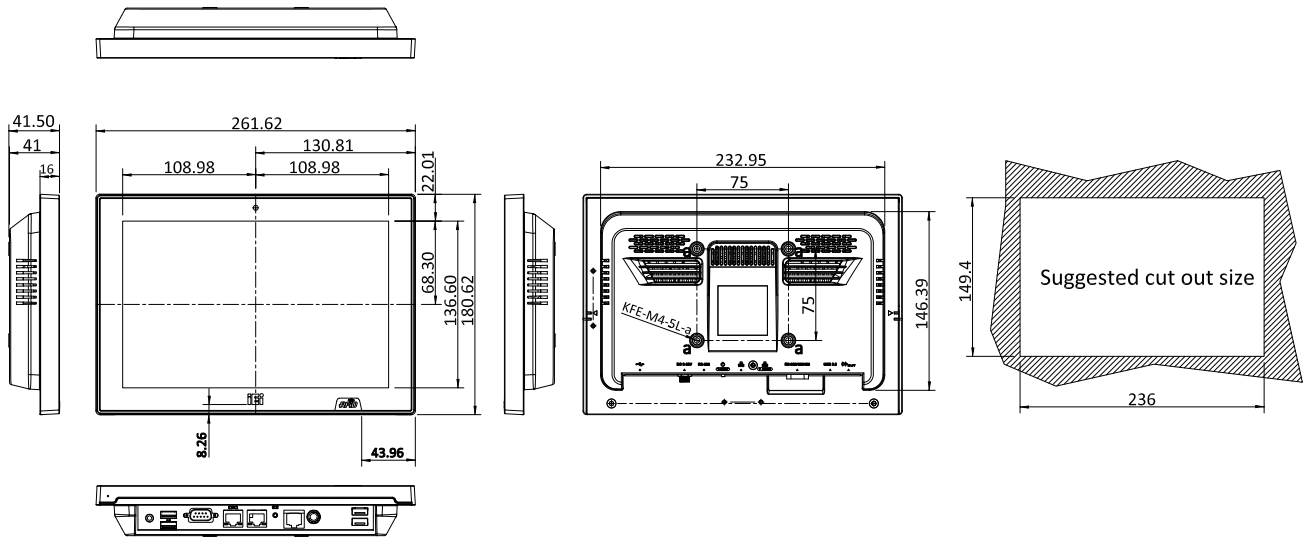
AFL3-12A
Fully Integrated I/O



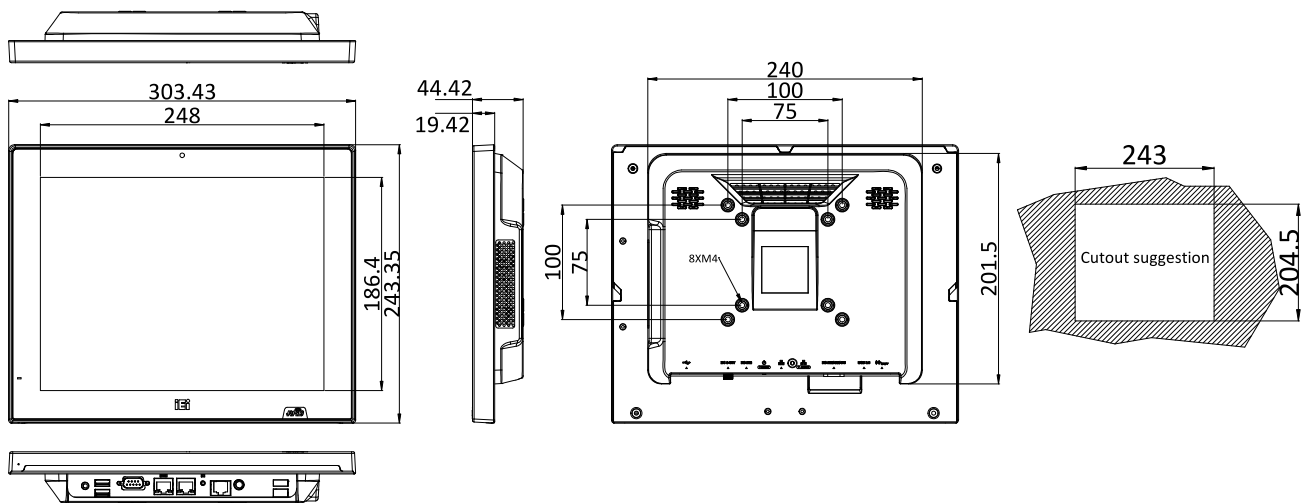
AFL3-12C-ULT3
Fully Integrated I/O



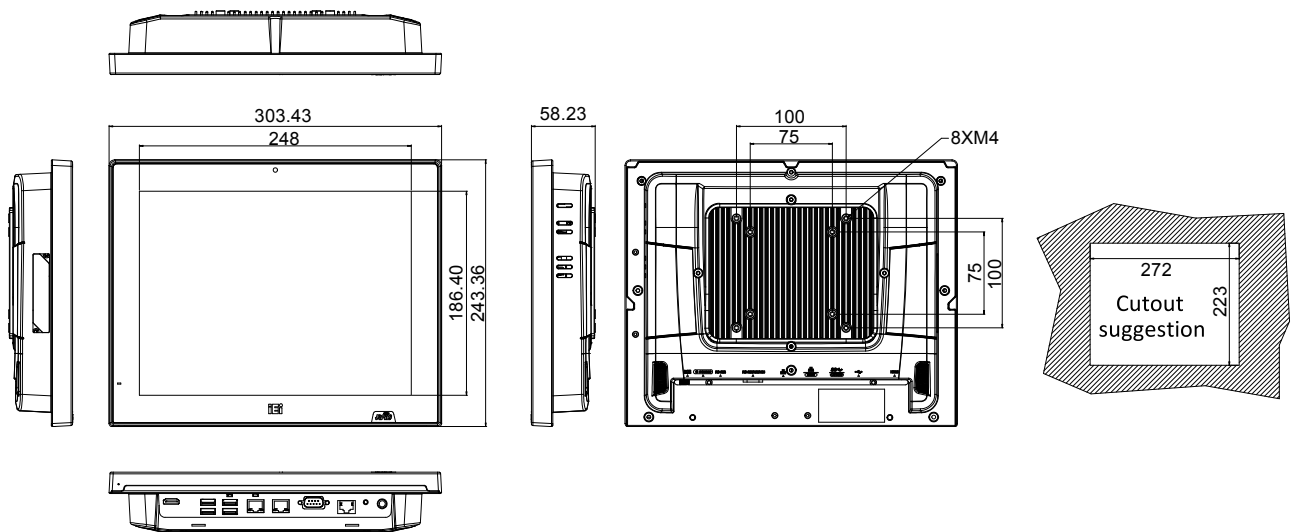
AFL3-W10A-BT Dimensions (Unit: mm)



AFL3-12A-BT Dimensions (Unit: mm)



AFL3-12C-ULT3 Dimensions (Unit: mm)



AFL3-W15A-BT

Intel® Celeron® J1900 (Quad Core, 2.0 GHz)

AFL3-W15B-H81

Intel® Core™ i7/i5/i3, Pentium® and Celeron®

AFL3-W15C-ULT3

Intel® Core™ i5 and Celeron® ULT Processor

NEW



Features

- W15" light industrial interactive panel PC
- 9 V ~ 30 V wide range DC power input
- Selectable AT/ATX power mode
- Built-in speakers
- One mSATA slot
- IP64 compliant front panel
- IEI One Key Recovery solution allows you to create rapid OS backup and recovery (suggested with over 4GB storage capacity)



Specifications

Model		AFL3-W15A-BT	AFL3-W15B-H81	AFL3-W15C-ULT3
LCD	Size	15.6"		
	Resolution	1366 x 768 (16:9)		
	Brightness (cd/m ²)	400		
	Contrast Ratio	500:1		
	LCD Color	16.2M		
	Pixel Pitch (mm)	0.240 (H) x 0.240 (V)		
	Viewing Angle (H-V)	170° / 160°		
	Backlight MTBF (hrs)	50000 (LED backlight)		
Touch	Touch Screen	5-wire resistive with RS-232 interface (anti-glare coating), Projected capacitive with USB interface (anti-UV / anti-glare coating)		
	Touch Controller	PenMount DMC9000 / EETI EXC3188	PenMount DMC9000 / EETI EXC7200	PenMount DMC9000 / EETI EXC3188
Motherboard	CPU	Intel® Celeron® J1900 (quad core, 2 GHz)	Intel® Core™ i7/i5/i3, Pentium®, Celeron® processor (TDP 35W)	6th Generation Intel® Core™ i5 and Celeron® on-board processor
	Chipset	Intel® H81		
	RAM	One 204-pin 1333 MHz single-channel DDR3L SO-DIMM, 2GB pre-installed (system max. 8GB)	Two 204-pin 1333 MHz single-channel DDR3 SO-DIMM, 4GB pre-installed (system max. 16GB)	Two 260-pin 2133/1867 MHz dual-channel DDR4 SO-DIMMs (system max. 32 GB)
	Ethernet	2 x PCIe GbE by RTL8111E controller		
	Audio Codec	ALC892		
Storage	1 x mSATA (E-Window) 1 x 2.5" SATA 3Gb/s HDD bay		1 x mSATA (E-Window) 1 x 2.5" SATA 3Gb/s HDD bay 1 x M.2 M key PCIe (2280 or 2210)	
	I/O Ports & Switch	1 x RS-232 COM port (RJ-45 connector) 1 x RS-232/422/485 COM port (DB-9 connector) (RI/5V/12V) 2 x USB 2.0 2 x USB 3.1 Gen 1 (5Gb/s) 2 x GbE LAN 1 x Power switch 1 x Reset button 1 x AT/ATX switch 1 x Audio port (line-out) 1 x 9-30V lockable power jack	1 x RS-232 COM port (DB-9 connector) 1 x RS-232/422/485 COM port (DB-9 connector) (RI/5V/12V) 2 x GbE LAN 4 x USB 2.0 2 x USB 3.1 Gen 1 (5Gb/s) 1 x HDMI output 1 x Power switch 1 x Reset button 1 x AT/ATX switch 1 x Audio port (line-out) 1 x 9-30V lockable power jack	1 x RS-232 by DB-9 (RI/5V/12V) 1 x RS-232/422/485 by DB-9 (RI/5V/12V) 2 x GbE LAN 4 x USB 3.1 Gen 1 (5Gb/s) 1 x HDMI output 1 x Power switch 1 x Reset button 1 x AT/ATX switch 1 x 9-30V lockable power jack
E-Window Expansion	Yes, optional (full-size mini-PCIe slot with PCIe/SATA/USB)	N/A	Yes, optional (full-size mini-PCIe slot with PCIe/SATA/USB)	
Audio	AMP 3W + 3W (internal speakers)			
Camera and Microphone	2-megapixel with low light function, digital microphone			
Wireless & Bluetooth	IEEE 802.11a/b/g/n/ac half-size mini-PCIe slot (PCIe signal)	IEEE 802.11 a/b/g/n/ac, Bluetooth V4.0 half-size mini-PCIe slot (PCIe/USB signal)	IEEE 802.11 a/b/g/n/ac, Bluetooth V4.1 M.2 slot A+E key 2230 slot (PCIe/USB signal)	
OSD Function	Software OSD			
Physical	Front Panel Construction	PC + ABS Plastic		
	Mounting	Panel, Wall, Rack, Stand and Arm VESA 75mm x 75mm / 100mm x 100mm		
	Color	Black C		
	Dimensions (WxHxD) (mm)	396 x 250 x 53	396 x 250 x 59	396 x 250 x 64
	Cut-out Dimensions (WxH) (mm)	273 x 226	369 x 226	369 x 226
Environment	Net/Gross Weight (kgs)	3.3/5.6	3.74/5.74	4.5/6.5
	Operating Temperature (°C) (Ambient with air flow)	-20°C~50°C	0°C~50°C	-20°C~50°C
	Storage Temperature (°C)	-20°C~60°C		
	Humidity	10% to 95% (non-condensing)		
	IP Level	IP 64 compliant front panel		
	Safety & EMC	CE / FCC		
	Thermal Solution	Fanless	Smart Fan	Fanless
Power	Power Requirement	9 V ~ 30 V		
	Power Consumption	12V@4.16A (Intel® J1900 CPU with 2GB 1333 MHz DDR3 memory)	12V@6.33A (Intel® Pentium® G3320TE CPU with 4GB 1333 MHz DDR3L memory)	12V@.6A (Intel® Core™ i5-6300U CPU with 4GB DDR4 2133 MHz DDR4 memory)

Ordering Information

● Intel® Celeron® Platform

Part No.	Description
AFL3-W15A-BT-J1/PC/2G-R13	Wide 15.6" 400 cd/m ² 1366 x 768 fanless panel PC with Intel® Celeron® J1900 quad core 2 GHz, 802.11a/b/g/n/ac, projected capacitive touch screen, 2GB DDR3L RAM, 2-megapixel camera, microphone, R13
AFL3-W15A-BT-J1/R/2G-R13	Wide 15.6" 400 cd/m ² 1366 x 768 fanless panel PC with Intel® Celeron® J1900 quad core 2 GHz, 802.11a/b/g/n/ac, resistive touch window, 2GB DDR3L RAM, 2-megapixel camera, microphone, R13

● Intel® H81 Platform

Part No.	Description
AFL3-W15B-H81-P/R/4G-R13	Wide 15.6" 400 cd/m ² 1366 x 768 panel PC with Intel® H81 chipset, Intel® Pentium® G3320TE dual-core processor (2.3 GHz), TDP 35W, two 2GB DDR3 RAM, 802.11a/b/g/n/ac, resistive touch screen, 2-megapixel camera, microphone, R13
AFL3-W15B-H81-i3/R/4G-R13	Wide 15.6" 400 cd/m ² 1366 x 768 panel PC with Intel® H81 chipset, Intel® Core™ i3-4330T dual-core processor (3.0 GHz), TDP 35W, two 2GB DDR3 RAM, 802.11a/b/g/n/ac, resistive touch screen, 2-megapixel camera, microphone, R13
AFL3-W15B-H81-i5/R/4G-R13	Wide 15.6" 400 cd/m ² 1366 x 768 panel PC with Intel® H81 chipset, Intel® Core™ i5-4570TE dual-core processor (2.7 GHz), TDP 35W, two 2GB DDR3 RAM, 802.11a/b/g/n/ac, resistive touch screen, 2-megapixel camera, microphone, R13
AFL3-W15B-H81-P/PC/4G-R13	Wide 15.6" 400 cd/m ² 1366 x 768 panel PC with Intel® H81 chipset, Intel® Pentium® G3320TE dual-core processor (2.3 GHz), TDP 35W, two 2GB DDR3 RAM, 802.11a/b/g/n/ac, PCAP touch screen, 2-megapixel camera, microphone, R13
AFL3-W15B-H81-i3/PC/4G-R13	Wide 15.6" 400 cd/m ² 1366 x 768 panel PC with Intel® H81 chipset, Intel® Core™ i3-4330T dual-core processor (3.0 GHz), TDP 35W, two 2GB DDR3 RAM, 802.11a/b/g/n/ac, PCAP touch screen, 2-megapixel camera, microphone, R13
AFL3-W15B-H81-i5/PC/4G-R13	Wide 15.6" 400 cd/m ² 1366 x 768 panel PC with Intel® H81 chipset, Intel® Core™ i5-4570TE dual-core processor (2.7 GHz), TDP 35W, two 2GB DDR3 RAM, 802.11a/b/g/n/ac, PCAP touch screen, 2-megapixel camera, microphone, R13

● Intel® Skylake ULT3 Platform

Part No.	Description
AFL3-W15C-ULT3-C/PC/4G-R13	Wide 15.6" 400 cd/m ² 1366 x 768 Panel PC with Intel® 14nm 6th Generation Mobile Celeron®3955U (15W) on-board Processor (ULT), 1*4GB DDR4 RAM, 802.11a/b/g/n/ac WiFi module, PCAP touch, 2M camera, microphone, with AG, R13
AFL3-W15C-ULT3-C/R/4G-R13	Wide 15.6" 400 cd/m ² 1366 x 768 Panel PC with Intel® 14nm 6th Generation Mobile Celeron®3955U (15W) on-board Processor (ULT), 1*4GB DDR4 RAM, 802.11a/b/g/n/ac WiFi module, resistive touch, 2M camera, microphone, with AG, R13
AFL3-W15C-ULT3-i5/PC/4G-R13	Wide 15.6" 400 cd/m ² 1366 x 768 Panel PC with Intel® 14nm 6th Generation Mobile Core™ i5-6300U (15W) on-board Processor (ULT), 1*4GB DDR4 RAM, 802.11a/b/g/n/ac WiFi module, PCAP touch, 2M camera, microphone , with AG, R13
AFL3-W15C-ULT3-i5/R/4G-R13	Wide 15.6" 400 cd/m ² 1366 x 768 Panel PC with Intel® 14nm 6th Generation Mobile Core™ i5-6300U (15W) on-board Processor (ULT), 1*4GB DDR4 RAM, 802.11a/b/g/n/ac WiFi module, resistive touch, 2M camera, microphone , with AG, R13

Options

Item	AFL3-W15A-BT	AFL3-W15B-H81	AFL3-W15C-ULT3
Panel Mounting Kit	AFL3PK-W15A-R10	AFL3PK-W15A-R10	AFL3PK-W15A-R10
Wall Mounting Kit		AFLWK-19B	
Rack Mounting Kit	AFL3RK-W15A-R11	AFL3RK-W15B-R10	AFL3RK-W15B-R10
Arm		ARM-11-RS/ARM-31-RS	
Stand		STAND-A21-R10/ STAND-210-R11/STAND-A19-RS/STAND-C19-R10	
Magnetic Card Reader		AFL3P-W10MSR-U-R10	
Barcode Scanner		AFL3-2D-R11	
RFID Reader (13.56 MHz Mifare Type) (for ATO assembly)	AFL3-MF-RFID-KIT02-R10**	AFL3-MF-RFID-KIT02-R10	AFL3-MF-RFID-KIT02-R10
*OS: Win 7 Embedded (64-bit)	AFL3-W07A-BT-WES7P64-R11 (for PCAP touch) AFL3-W07A-BT-WES7E64-R11 (for resistive touch)	AFL3-W15B-H81-WES7P64-R10 (for PCAP touch) AFL3-W15B-H81-WES7E64-R10 (for resistive touch)	AFL3-W15C-ULT3-WES7P64-R10 (for PCAP touch) AFL3-W15C-ULT3-WES7E64-R10 (for resistive touch)
*OS: Win 8 Embedded (64-bit)	AFL3-W07A-BT-WE8S64-R10	N/A	N/A
*OS: Win 10 IoT Enterprise (64-bit)	AFL3-W07A-BT-W10E64-E-R10	AFL3-W15B-H81-W10E64-V-R10	AFL3-W15C-ULT3-W10E64-V-R10

**RFID is supported after AFL3-xxA-BT R11 version

*OS image with CD-ROM without storage

E-Window (for ATO assembly)

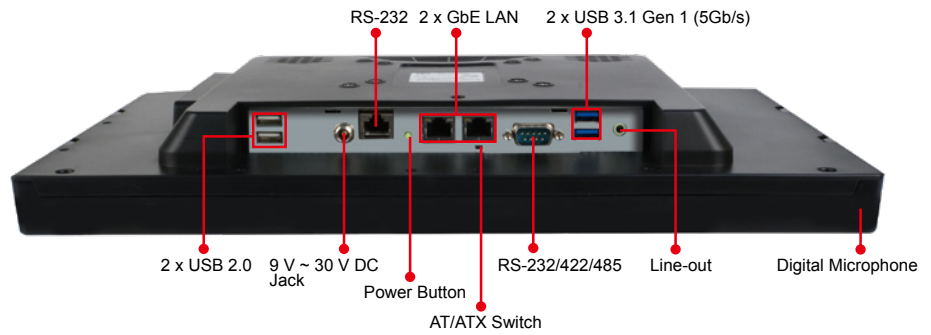
Part No.	Description	Supported Model
E-MPCIE-LAN-R10	PCIe Mini card supports 1-port GbE with Realtek RTL8111E controller, with PMS 194C I/O bracket and 250mm cable, R10	AFL3-W15A-BT-J1/PC/2G-R12* AFL3-W15A-BT-J1/R/2G-R12*
E-MPCIE-DLAN-R10	PCIe Mini card supports 2-port GbE with Intel I211 controller, with PMS 194C I/O bracket and 250mm cable, R10	AFL3-W15C-ULT3-C/R/4G-R10 AFL3-W15C-ULT3-i5/R/4G-R10
E-MPCIE-3G-R10	PCIe Mini card supports 3G WWAN module , with PMS 130C I/O bracket, RF antenna 300mm cable and GSM antenna cable, R10	AFL3-W15C-ULT3-C/PC/4G-R10 AFL3-W15C-ULT3-i5/PC/4G-R10
E-MPCIE-CClink-R10	PCIe Mini card supports CC-Link Slave interface according to V2.0 and V1.1, with PMS black C I/O bracket and 250mm cable, R10	AFL3-W15C-ULT3-C/R/4G-R10
E-MPCIE-PROFIBUS-R10	PCIe Mini card supports universal PROFIBUS DP card for Master or Slave, with PMS black C I/O bracket and 250mm cable, R10	AFL3-W15C-ULT3-i5/R/4G-R10 AFL3-W15C-ULT3-C/PC/4G-R10
E-MPCIE-EtherCAT-R10	PCIe Mini card supports universal Real-Time Ethernet protocols, with PMS black C I/O bracket and 280mm cable, R10	AFL3-W15C-ULT3-i5/PC/4G-R10

*Installation E-MPCIE-LAN-R10 & E-MPCIE-DLAN-R10 after remove AFL3-USBHUB-R10

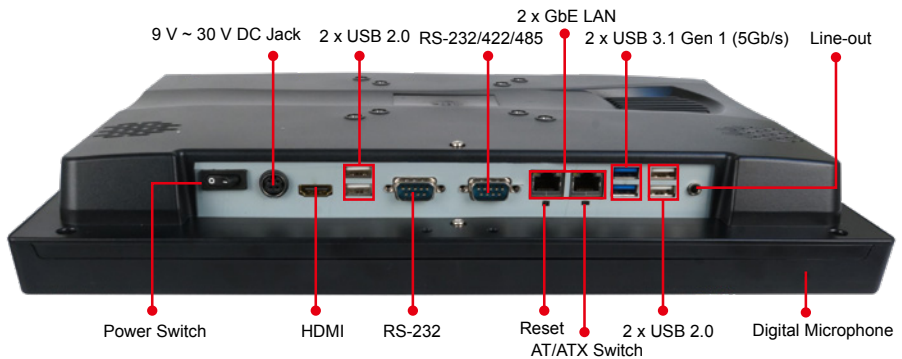
Packing List

Item	Part No.	Q'ty	Remark
Round head machine screw	44003-020041-RS (W15A-BT/15B-H81)	4	M2*4 round head machine screw
Pan head machine screw	44403-040061-RS	4	M4*6 pan head machine screw
Fix holder	46003-009500-RS	2	
Power cord	32702-000200-100-RS	1	
Power adapter	63040-010060-120-RS (W15A-BT)	1	60W; Vin: 90V~264V AC; Vout: 12VDC
	63040-010096-100-RS	1	96W; Vin: 90V~264V AC; Vout: 12VDC
RJ-45 to DB-9 COM port transfer cable	32005-004600-100-RS(W15A-BT)	1	300mm, 26AWG, (A) D-SUB 9 male, (B) RJ-45
Touch pen	43125-0002C0-00-RS	1	Resistive touch screen only

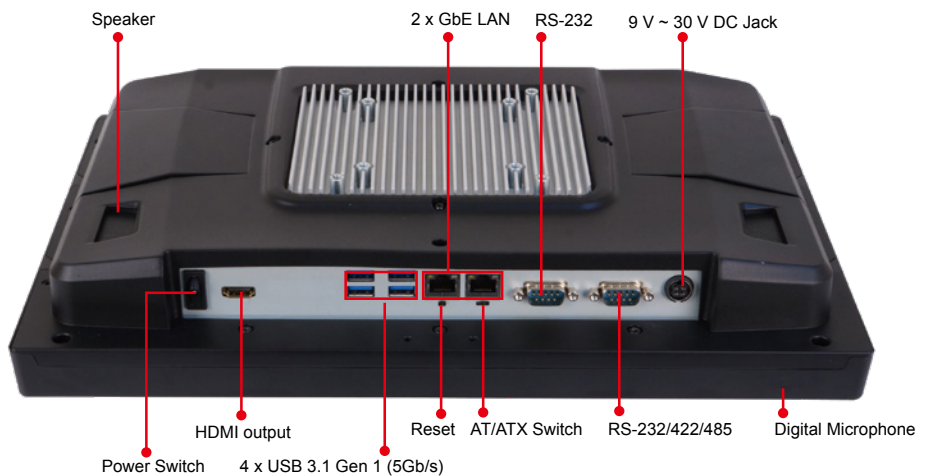
AFL3-W15A-BT
Fully Integrated I/O



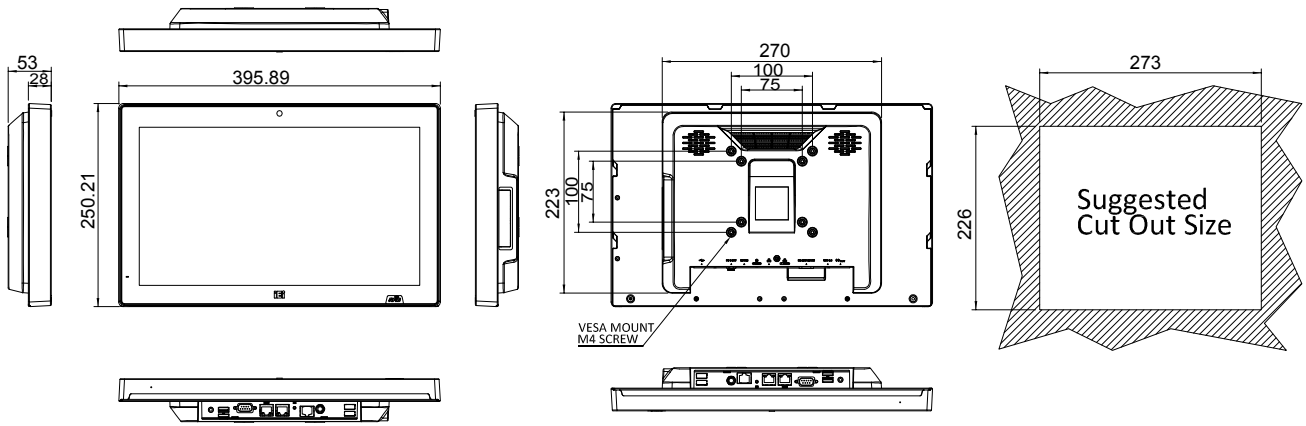
AFL3-15B-H81
Fully Integrated I/O



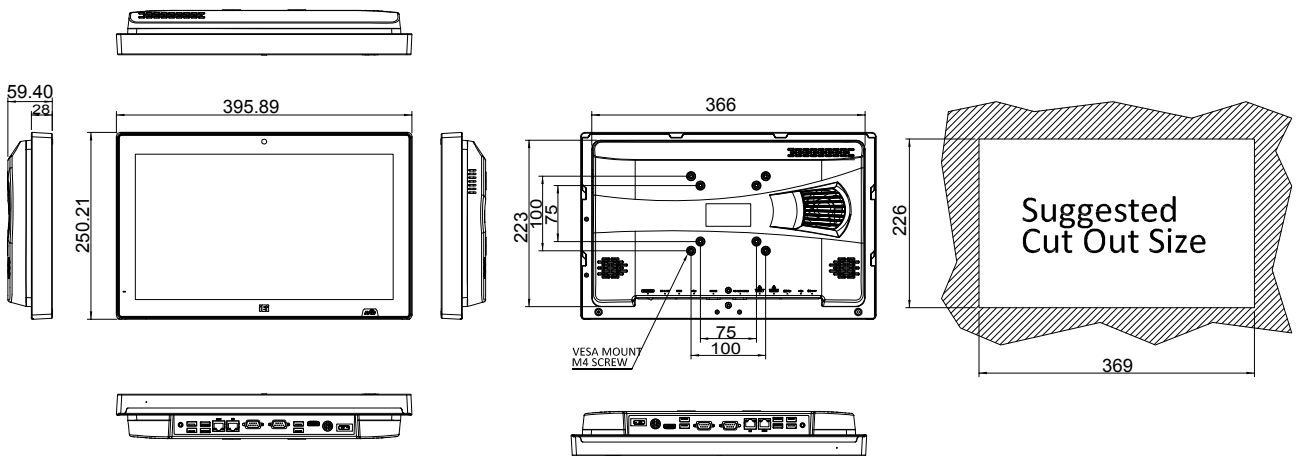
AFL3-W15C-ULT3
Fully Integrated I/O



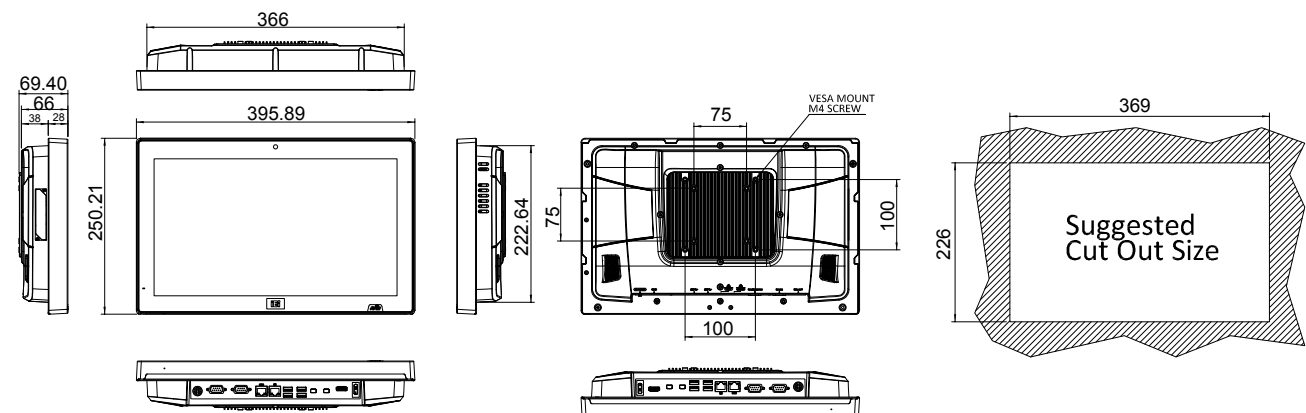
AFL3-W15A-BT Dimensions (Unit: mm)



AFL3-W15B-H81 Dimensions (Unit: mm)



AFL3-W15C-ULT3 Dimensions (Unit: mm)



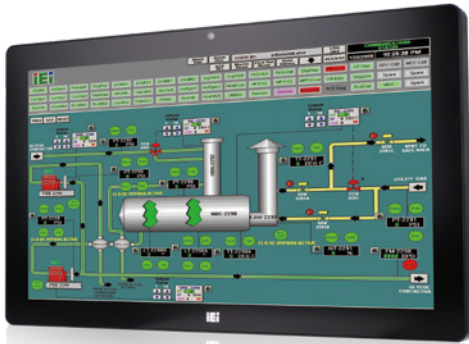
AFL3-W19C-ULT3

Intel® Core™ i5 and Celeron® ULT Processor

AFL3-W19A-AL

Intel® Celeron® / Atom™ Apollo Lake Processor

NEW



Features

- 18.5" light industrial interactive panel PC
- Wide range DC power input
- Selectable AT/ATX power mode
- Built-in speakers
- One mSATA slot
- IP64 compliant front panel
- IEI One Key Recovery solution allows you to create rapid OS backup and recovery (suggested with over 4GB storage capacity)



Specifications

Model		AFL3-W19C-ULT3	AFL3-W19A-AL
LCD	Size	18.5"	18.5"
	Resolution	1366 x 768 (16:9)	1366 x 768 (16:9)
	Brightness (cd/m ²)	250	250
	Contrast Ratio	1000:1	1000:1
	LCD Color	16.7M	262K
	Pixel Pitch (mm)	0.240 (H) x 0.240 (V)	0.240 (H) x 0.240 (V)
	Viewing Angle (H-V)	170°/160°	170°/160°
	Backlight MTBF(hrs)	30,000 (LED backlight panel)	30,000 (LED backlight panel)
Touch	Touch Screen	Projected capacitive with USB interface (anti-UV / anti-glare coating)	
	Touch Controller	EETI EXC3180	EETI EXC3188
Motherboard	CPU	Intel® Core™ i5 and Celeron® ULT Processor	Intel® Celeron® J3455 (quad core, 1.5GHz up to 2.3 GHz)
	RAM	Two 260-pin 2133/1867 MHz dual-channel DDR4 SO-DIMMs (system max. 32 GB)	One 204-pin 1600/1333 MHz single-channel DDR3L SO-DIMM, 4GB pre-installed (system max. 8GB)
	Ethernet	2 x Intel® I211-AT PCIe GbE controller	2 x PCIe GbE by Intel® i211 controller
	Audio Codec	ALC892	ALC269
Storage	1 x mSATA (E-Window) 1 x 2.5" SATA 3Gb/s HDD bay 1 x M.2 M key PCIe (2280 or 22110)	1 x mSATA (E-Window) 1 x 2.5" SATA 3Gb/s HDD bay	
I/O Ports & Switch		1 x RS-232 by DB-9 (RI/5V/12V) 1 x RS-232/422/485 by DB-9 (RI/5V/12V) 2 x GbE LAN 4 x USB 3.1 Gen 1 (5Gb/s) 1 x HDMI output 1 x Power switch 1 x Reset button 1 x AT/ATX switch 1 x 9V ~ 30V lockable power jack	1 x RS-232/422/485 by RJ-45 1 x RS-232 by RJ-45 2 x GbE LAN 2 x USB 3.1 Gen 1 (5Gb/s) 2 x USB 2.0 1 x HDMI output 1 x 12V ~ 34V DC Jack 1 x Power switch 1 x AT/ATX switch 1 x Line out
	E-Window Expansion	Yes, optional (full-size mini-PCIe slot with PCIe/SATA/USB)	
Audio	AMP 3W + 3W (internal speaker)		
Camera and Microphone	2-megapixel with low light function, digital microphone	2-megapixel with low light function, digital microphone	
Wireless & Bluetooth	IEEE 802.11 a/b/g/n/ac, Bluetooth V4.1 M.2 slot A+E key 2230 slot (PCIe/USB signal)		
OSD Function	Software OSD		
Physical	Front Panel Construction	PC + ABS Plastic	PC + ABS Plastic
	Mounting	Panel, Wall, Stand and Arm VESA 75mm x 75mm / 100mm x 100mm	Panel, Wall, Stand and Arm VESA 100mm x 100mm
	Color	Black C	Black C
	Dimensions (W x H x D) (mm)	470 x 290 x 70	470 x 280 x 60
	Cut-out Dimensions (W x H) (mm)	443 x 261	418 x 230
	Net/Gross Weight (kgs)	7.3/10	6.3/9
Environment	Operating Temperature (Ambient with air flow)	-20°C ~ 50°C	-15°C ~ 50°C
	Storage Temperature	-20°C ~ 60°C	
	Humidity	10% to 95% (non-condensing)	
	IP Level	IP 64 compliant front panel	
	Safety & EMC	CE / FCC	
	Thermal Solution	Fanless	
Power	Power Requirement	9V ~ 30V DC	12V ~ 34V DC
	Power Consumption	12V@7.1A (Intel® Core™ i5-6300U CPU with 4GB DDR4 2133 MHz DDR4 memory)	12V@3.2A (Intel® Celeron J3455 CPU with 4GB DDR3L 1866 MHz DDR3L memory)

Ordering Information

Part No.	Description
AFL3-W19C-ULT3-C/PC/4G-R10	Wide 18.5" 250 cd/m ² 1366 x 768 Panel PC with Intel® 14nm 6th Generation Mobile Celeron® 3955U (15W) on-board Processor (ULT), 1*4GB DDR4 RAM, 802.11a/b/g/n/ac WiFi module, PCAP touch, 2 M camera, microphone, R10
AFL3-W19C-ULT3-I5/PC/4G-R10	Wide 18.5" 250 cd/m ² 1366 x 768 Panel PC with Intel® 14nm 6th Generation Mobile Core™ i5-6300U (15W) on-board Processor (ULT), 1*4GB DDR4 RAM, 802.11a/b/g/n/ac WiFi module, PCAP touch, 2 M camera, microphone, R10
AFL3-W19A-AL-J2/PC/4G-R10	Wide 18.5" 250 cd/m ² 1366 x 768 Panel PC with Intel® Celeron® Processor J3455 (10W) on-board Processor (Apollo lake), 1*4GB DDR4 RAM, 802.11a/b/g/n/ac WiFi module, PCAP touch, 2 M camera, microphone, R10

Options

Item	AFL3-W19C-ULT3	AFL3-W19A-AL
Panel Mounting Kit	AFL3PK-W19C-R10	
Wall Mounting Kit	AFLWK-19B	
Arm	ARM-11-RS/ARM-31-RS	
Stand	STAND-A21-R10/ STAND-210-R11/STAND-A19-RS/STAND-C19-R10	
Magnetic Card Reader	AFL3P-W10MSR-U-R10	
Barcode Scanner	AFL3-2D-R11	
RFID Reader (13.56 MHz Mifare Type) (For ATO assembly)	AFL3-MF-RFID-KIT02-R10	
*OS: Win 7 Embedded (64-bit)	AFL3-W15C-ULT3-WES7P64-R10	N/A
*OS: Win 10 IOT Enterprise (64-bit)	AFL3-W15C-ULT3-W10E64-V-R10	AFL3-W19A-AL-W10E64-E-R10

*OS image with CD-ROM without storage

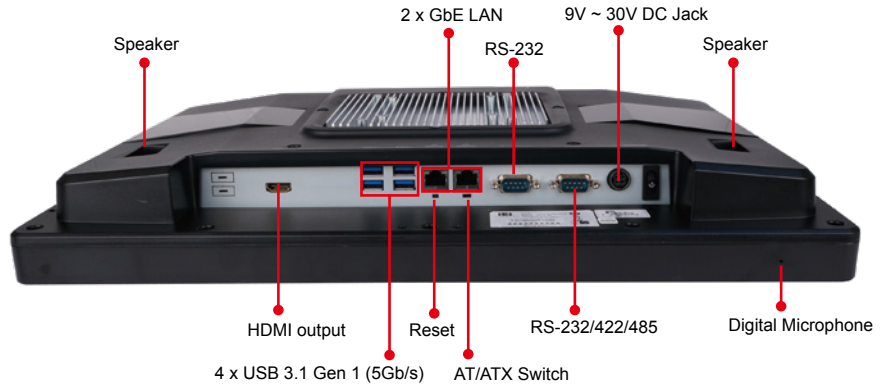
E-Window (for ATO assembly)

Part No.	Description
E-MPCIE-LAN02-R10	PCIe Mini card supports 1-port GbE with Realtek RTL8111E controller, with PMS 194C I/O bracket and 340 mm cable, R10
E-MPCIE-CClink02-R10	PCIe Mini card supports CC-Link Slave interface according to V2.0 and V1.1, with PMS black C I/O bracket and 300mm cable, R10
E-MPCIE-PROFIBUS02-R10	PCIe Mini card supports universal PROFIBUS DP card for Master or Slave, with PMS black C I/O bracket and 300mm cable, R10
E-MPCIE-EtherCAT-R10	PCIe Mini card supports universal for all Real-Time Ethernet protocols, with PMS black C I/O bracket and 280mm cable, R10
E-MPCIE-3G-R10	PCIe Mini card supports 3G WWAN, with PMS 130C I/O bracket, RF antenna 300mm cable and GSM antenna cable, R10

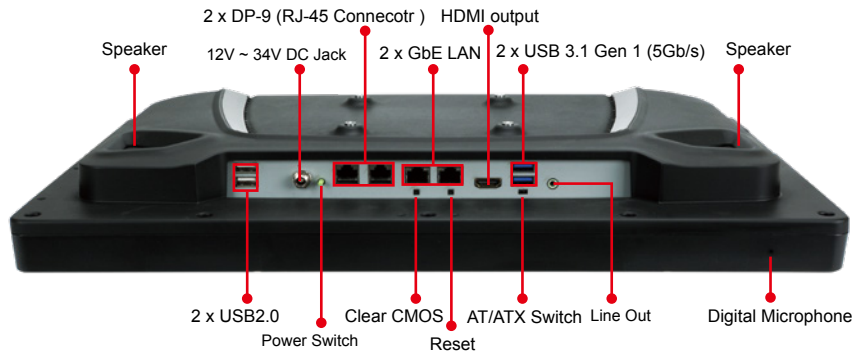
Packing List

Item	Part No.	Q'ty	Remark
Round head machine screw	44403-040061-RS	4	M2*4 round head machine screw
Pan head machine screw	44003-030052-RS	4	M4*6 pan head machine screw
Power cord	32702-000200-100-RS	1	
Power adapter	63040-010096-100-RS (AFL3-W19C-ULT3) 63040-010060-120-RS (AFL3-W19A-AL)	1	96W; Vin: 90V~264V AC; Vout: 12VDC 60W; Vin: 90V~264V AC; Vout: 12VDC
RJ-45 to DB-9 COM port transfer cable	32005-004600-100-RS (AFL3-W19A-AL)	1	300mm, 26AWG, (A) D-SUB 9 male, (B) RJ-45

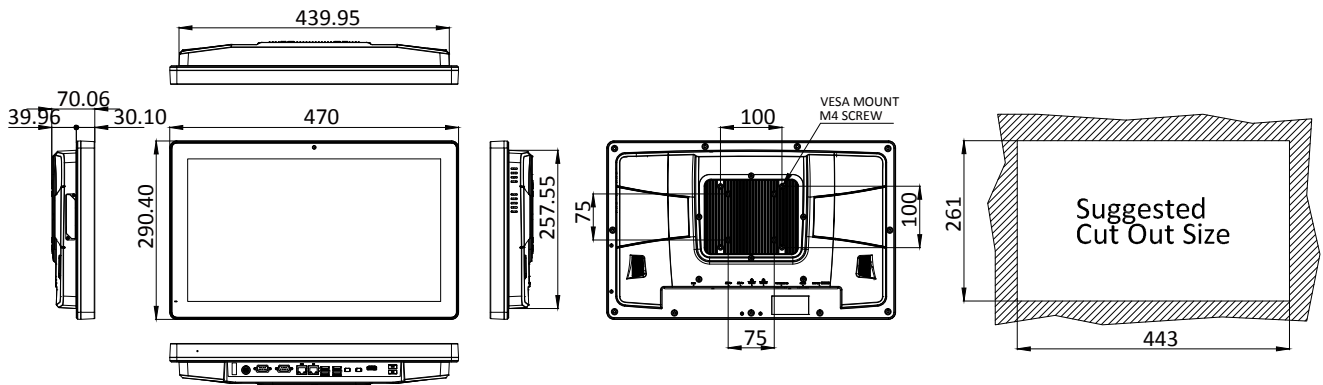
AFL3-W19C-ULT3
Fully Integrated I/O



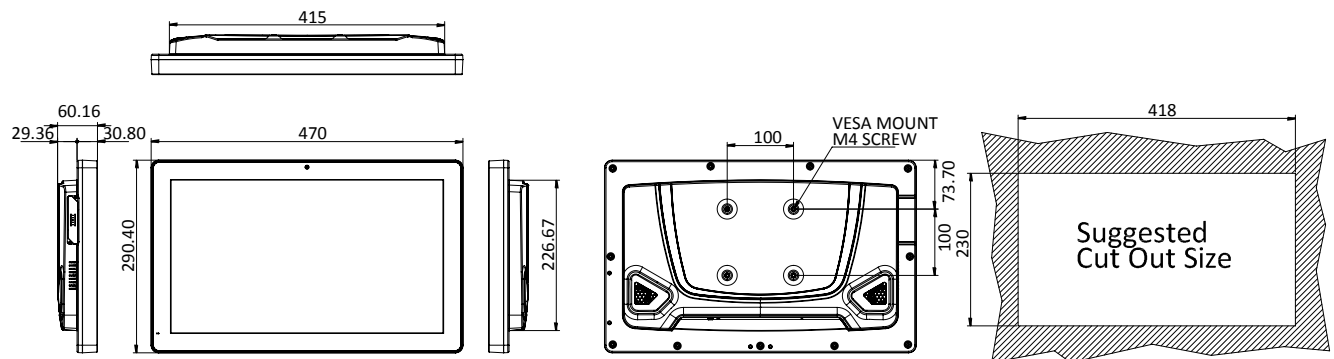
AFL3-W19A-AL
Fully Integrated I/O



AFL3-W19C-ULT3 Dimensions (Unit: mm)

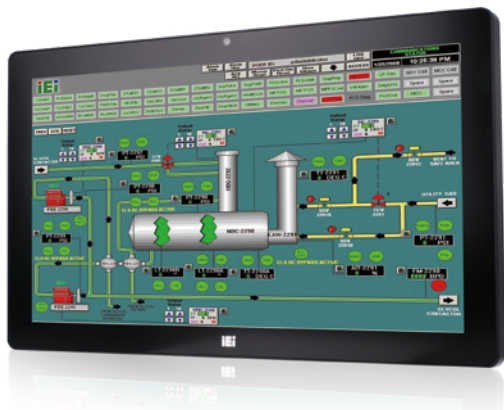


AFL3-W19A-AL Dimensions (Unit: mm)



AFL3-W22C-ULT3

Intel® Core™ i5 and Celeron® ULT Processor



Features

- W21.5 light industrial interactive panel PC
- 9 V ~ 30 V wide range DC power input
- Selectable AT/ATX power mode
- Built-in speakers
- One mSATA slot
- IP64 compliant front panel
- IEI One Key Recovery solution allows you to create rapid OS backup and recovery (suggested with over 4GB storage capacity)

Specifications



Model		AFL3-W22C-ULT3
LCD	Size	21.5"
	Resolution	1920 x 1080
	Brightness (cd/m ²)	250
	Contrast Ratio	1000:1
	LCD Color	16.7M
	Pixel Pitch (mm)	248.25 (H) x 248.25 (V)
	Viewing Angle (H-V)	170°/160°
Touch	Backlight MTBF(hrs)	30,000 (LED backlight panel)
	Touch Screen	Projected capacitive with USB interface (nti-UV / anti-glare coating)
Motherboard	Touch Controller	EETI EXC3180
	CPU	Intel® Core™ i5 and Celeron® ULT Processor
	RAM	Two 260-pin 2133/1867 MHz dual-channel DDR4 SO-DIMMs (system max. 32 GB)
	Ethernet	2 x Intel® I211-AT PCIe GbE controller
Storage	Audio Codec	ALC892
		1 x mSATA (E-Window) 1 x 2.5" SATA 3Gb/s HDD bay 1 x M.2 M key PCIe (2280 or 22110)
I/O Ports & Switch		1 x RS-232 by DB-9 (RI/5V/12V) 1 x RS-232/422/485 by DB-9 (RI/5V/12V) 2 x GbE LAN 4 x USB 3.1 Gen 1 (5Gb/s) 1 x HDMI output 1 x Power switch 1 x Reset button 1 x AT/ATX switch 1 x 9-30V lockable power jack
	E-Window Expansion	Yes, optional (full-size mini-PCIe slot with PCIe/SATA/USB)
	Audio	AMP 3W + 3W (internal speaker)
	Camera and Microphone	2-megapixel with low light function, digital microphone
	Wireless & Bluetooth	IEEE 802.11 a/b/g/n/ac, Bluetooth V4.1 M.2 slot A+E key 2230 slot (PCIe/USB signal)
	OSD Function	Software OSD
	Physical	Front Panel Construction
Mounting		Panel, Wall, Stand and Arm VESA 75mm x 75mm / 100mm x 100mm
Color		Black C
Dimensions (W x H x D) (mm)		528 x 336 x 68
Cut-out Dimensions (W x H) (mm)		502 x 303
Net/Gross Weight (kgs)		8.27/11.27
Environment	Operating Temperature (Ambient with air flow)	-20°C ~ 50°C
	Storage Temperature	-20°C ~ 60°C
	Humidity	10% to 95% (non-condensing)
	IP Level	IP 64 compliant front panel
	Safety & EMC	CE / FCC
	Thermal Solution	Fanless
Power	Power Requirement	9 V ~ 30 VDC
	Power Consumption	12V@6A (Intel® Core™ i5-6300U CPU with 4GB DDR42133 MHz DDR4 memory)

Ordering Information

Part No.	Description
AFL3-W22C-ULT3-C/PC/4G-R13	Wide 22" 250 cd/m ² 1920x1080 Panel PC with withIntel® 14nm 6th Generation Mobile Celeron®3955U (15W) on-board Processor (ULT), 1*4GB DDR4 RAM, 802.11a/b/g/n/ac WiFi module, PCAP touch, 2M camera, microphone,with AG, R13
AFL3-W22C-ULT3-I5/PC/4G-R13	Wide 22" 250 cd/m ² 1920x1080 Panel PC with Intel® 14nm 6th Generation Mobile Core™ i5-6300U (15W) on-board Processor (ULT), 1*4GB DDR4 RAM, 802.11a/b/g/n/ac WiFi module, PCAP touch, 2M camera, microphone , with AG, R13

Packing List

Item	Part No.	Q'ty	Remark
Round head machine screw	44403-040061-RS	4	M2*4 round head machine screw
Pan head machine screw	44003-030052-RS	4	M4*6 pan head machine screw
Power cord	32702-000200-100-RS	1	
Power adapter	63040-010096-100-RS	1	96W; Vin: 90V~264V AC; Vout: 12VDC

Options

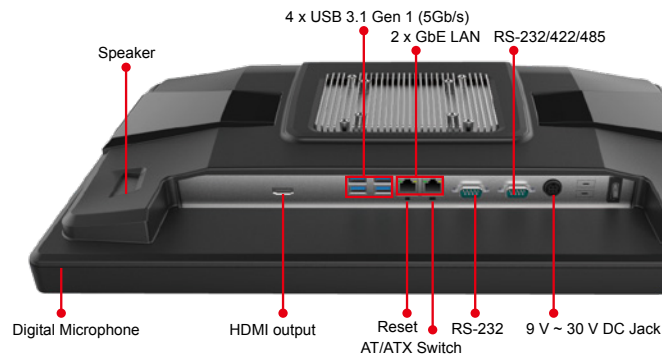
Item	AFL3-W22C-ULT3
Panel Mounting Kit	AFL3PK-W19C-R10
Wall Mounting Kit	AFLWK-19B
Arm	ARM-11-RS/ARM-31-RS
Stand	STAND-A21-R10/ STAND-210-R11/STAND-A19-RS/STAND-C19-R10
Magnetic Card Reader	AFL3P-W10MSR-U-R10
Barcode Scanner	AFL3-2D-R11
RFID Reader (13.56 MHz Mifare Type) (For ATO assembly)	AFL3-MF-RFID-KIT02-R10
*OS: Win 7 Embedded (64-bit)	AFL3-W15C-ULT3-WES7P64-R10
*OS: Win 10 IOT Enterprise (64-bit)	AFL3-W15C-ULT3-W10E64-V-R10

*OS image with CD-ROM without storage

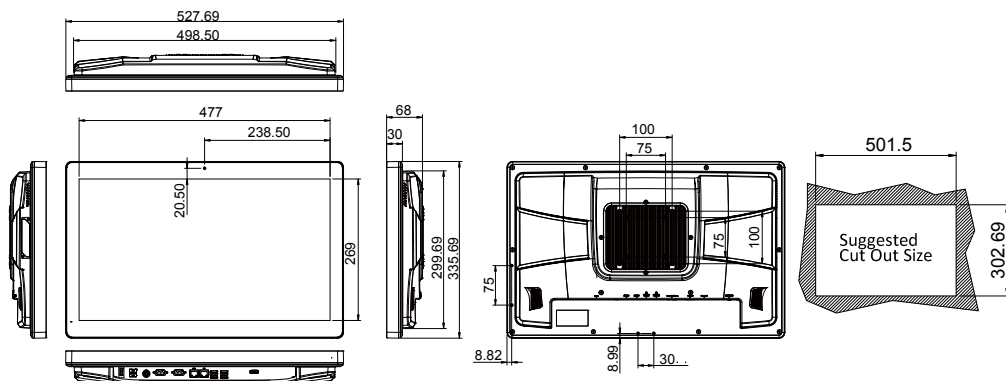
E-Window (for ATO assembly) **E-Window**

Part No.	Description
E-MPCIE-LAN02-R10	PCIe Mini card supports 1-port GbE with Realtek RTL8111E controller, with PMS 194C I/O bracket and 340 mm cable, R10
E-MPCIE-CClink02-R10	PCIe Mini card supports CC-Link Slave interface according to V2.0 and V1.1, with PMS black C I/O bracket and 300mm cable, R10
E-MPCIE-PROFIBUS02-R10	PCIe Mini card supports universal PROFI BUS DP card for Master or Slave, with PMS black C I/O bracket and 300mm cable, R10
E-MPCIE-EtherCAT-R10	PCIe Mini card supports universal for all Real-Time Ethernet protocols, with PMS black C I/O bracket and 280mm cable, R10
E-MPCIE-3G-R10	PCIe Mini card supports 3G WWAN , with PMS 130C I/O bracket, RF antenna 300mm cable and GSM antenna cable, R10

AFL3-W22C-ULT3 Fully Integrated I/O



AFL3-W22C-ULT3 Dimensions (Unit: mm)



AFOLUX GEN II Panel PC

New Flat Bezel, Multi-touch, Wide Voltage AFOLUX Panel PC

From the heritage of affordable Luxury AFOLUX Panel PC, AFOLUX II Panel PC shows it's spirit to exceed the history. The AFOLUX II Panel PC is slim and stylish and provides two types of touch option. RFID reader, wide voltage power input are its features which make it more flexible and more powerful than ever!

Innovative product design:

- AFOLUX II flat bezel design is thinner than AFOLUX
- Projected capacitive multi-touch and resistive single touch screen options



New technology and multiple functions:

- LED dash system for eye-catching notification
- Integrated EM/ Mifare RFID reader
- Light fanless temperature management
- 9 V ~36V DC wide voltage input fits all power requirements
- IEI Light Fanless technology allows the system to turn on/off fan automatically, enhancing system stability.
- Exclusive LED Light Bar Simulation displays light signals



» Rugged while Stylish

Flat Bezel Design with IP64 Protection

AFOLUX II series is designed in flat bezel panel and against dust and water, enduring flawless operation.

Flat-bezel Features:

- Better visual effects
- Sleek and stylish
- No edge effect
- Easy to clean



Enhanced Touch Technology – Projected Capacitive Touch

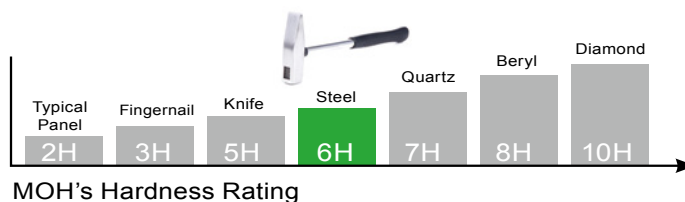
Projected capacitive touch panel is stronger and with higher transparency than the resistive type touch panel. It also supports Windows 7 multi-touch function compatible with glove-wearing users and enhancing ease-of-use.

Model	AFL2-17A-H61/PC	AFL2-17A-H61/R
Type of Touch	Projected capacitive type	5-wire resistive type touch
Touch Function	Multi-touch	Single-touch
Transparency	85%	78%
Hardness	≥6H	≥3H
Input Flexibility	Hand/ glove	Hand/ glove/ stylus



6H Anti-scratch Surface (Projected Capacitive Type Touchscreen)

Projected capacitive touch technology utilizes a durable glass front surface. 6H hardness is stronger than the conventional touch panel and therefore is able to protect the screen from damage.

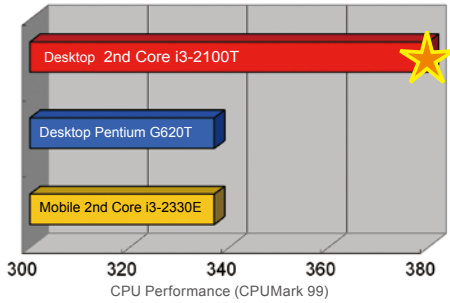


» Superior Performance

The Best C/P Value Intel® H61 Platform

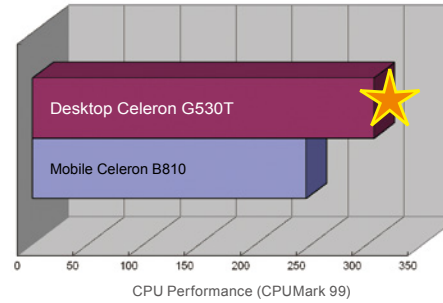
Comparing to mobile solution, Intel® H61 with desktop CPU provides low power consumption but high performance.

Mobile 2nd Core i3 V.S. Desktop Pentium & 2nd Core i3



CPU Type	Intel® 2nd Core™ i3-2330E (Mobile 35W CPU)	Intel® Pentium® G620T (Desktop 35W CPU)	Intel® 2nd Core™ i3-2100T (Desktop 35W CPU)
CPU Performance (CPUMark 99)	337	337	380

Mobile Celeron V.S. Desktop Celeron



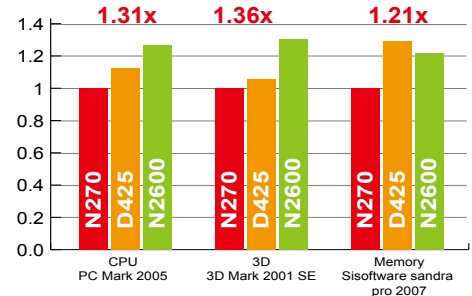
CPU Type	Intel® Celeron® B810 (Mobile 35W CPU)	Intel® Celeron® G530T (Desktop 35W CPU)
CPU Performance (CPUMark 99)	245	306

Better Performance with Intel® Atom™ Cedarview Dual Core Processor

AFOLUX II Cedarview panel PC integrates with Intel dual core processor running with DDR3 memory. With fanless system, it reduces system noise and dust accumulation.

N2600 CPU performance is 31% better than N270,
Graphics performance is 36% better than N270,
Memory performance is 21% better than N270

■ Intel® Atom™ processor N270 (1.6GHz)
■ Intel® Atom™ processor D425 (1.8GHz)
■ Intel® Atom™ processor N2600 (1.6GHz)



» Secondary Display on Full HD

Latest Display Technology: HDMI

HDMI is a compact audio/video interface for transferring uncompressed digital video data and compressed/uncompressed digital audio data from an HDMI-compliant device to a compatible digital audio device, computer monitor, video projector, or digital television. HDMI is a digital replacement for existing analog video standards.

Version	Maximum clock rate(MHz)	Maximum total TMDS throughput (Gbit/s)	Maximum color depth (bit/px.)	Maximum resolution over single link at 24-bit/px	Dolby TrueHD bitstream capable	3D over HDMI
Version 1.0 to 1.2	165	4.95	24	1920 x 1200	No	No
Version 1.3	340	10.2	48	2560 x 1600	Yes	No
Version 1.4	340	10.2	48	2096 x 2160	Yes	Yes



Advantages

- Backward compatible with DVI via an adapter.
- Support audio transport (v.s. DVI canonly transmit image).



Latest Display Technology: DisplayPort

It's not only used to connect a video source to a display device, but also be used to transmit audio, USB, and other forms of data. DisplayPort lets you take advantage of today's high-bandwidth content, enabling you to create a professional and powerfully compelling digital signage solution.



Advantages

- Backward compatible with DVI/HDMI with the adapter.
- Support multi-display: It can works with monitors, notebooks or all-in-one computers.



» Flexible Design to Fit Various Scenarios

Wide Application to Extreme Circumstance

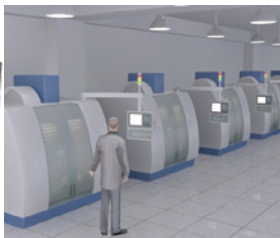
Power supply requirement varies from applications. Incorrect voltage input will damage electronic components thus cause system break down. AFOLUX GEN II offers wide voltage power input, which fits different application scenarios and increase stability of the system.



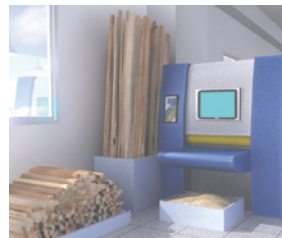
Wide range 9~36VDC input *

Wide range DC input fits different power source depends on what circumstance needed.

Wide Range Power Input 9~ 36V DC*



Automation Central Control



Factory Manufacture Control



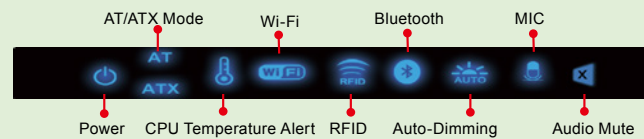
Truck Control (24V)

» Easy to Use

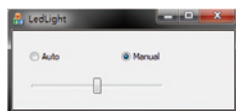
LED Indicator and Function Key

- Function key can be more convenient for panel PC users to operate this panel without any keyboard or mouse.
- Indicator is located in front of panel, it can tell users which function is enable or disable

• LED Indicators



- Brightness of LED indicator can be set by manual (3-step) or auto-adjust by ambient light (new function support from AFL2-xxA-N26 R11, AFL2-xxA-N28-R11, AFL2-xxA-H61 R12, AFL2-W21A-H61 R10)



• Function Key



- (Fn) Fn
- (Fn) + (Backlight) Backlight On/Off
- (Fn) + (Audio -) Audio -
- (Fn) + (Audio +) Audio +
- (Fn) + (Brightness -) Brightness -
- (Fn) + (Brightness +) Brightness +
- (Fn) + (RFID) RFID Enable/Disable
- (Fn) + (Audio Mute) Audio Mute
- (Fn) + (Camera) Camera Enable/Disable
- (Fn) + (USB) Front Side USB Enable/Disable
- (Fn) + (Power) Power On / Off

Mini USB 2.0 Port & microSD Card Slot on Front Panel



Mini USB 2.0

The AFOLUX GEN II new series has a mini USB 2.0 port on the front panel for easy connecting.

MicroSD card

The AFOLUX GEN II new series has a microSD slot on the front panel for easier access.

Auto-dimming Advantages



Auto-dimming Advantages

- Power Consumption Saving
- Comfortable Viewing Brightness
- Extend Product Lifetime

Auto-dimming

Automatically adjust the optimal brightness to fit the environment.



Day: Higher Ambient Luminance



Night: Lower Ambient Luminance

» IEI Light Fanless System

IEI Light Fanless System is a highly effective smart system, embedded with a smart sensor to sense the ambient temperature. It can operate quietly with high performance in various applications, such as a patient's bedside multimedia platform, gaming machines, airport kiosks etc.



Environment Temperature (°C)

High Performance With Light Fanless

iCMC Setting
(default: 32°C)

Smart-Fan Mode



Light Fanless Mode



Benefits

- Power Saving: Auto switch on/off fan can reduce redundant power consumption
- Expanding system lifecycle: Helping users to run system more effectively, it also enhances the lifecycle of CPU.
- Effectively manage system environment: User can monitor the information of the system easily
- High performance with noiseless: IEI supports noiseless situation to have quiet environment and high performance simultaneously.

IEI Light Fanless Applications



Patient Bedside Entertainment System



Clean Room

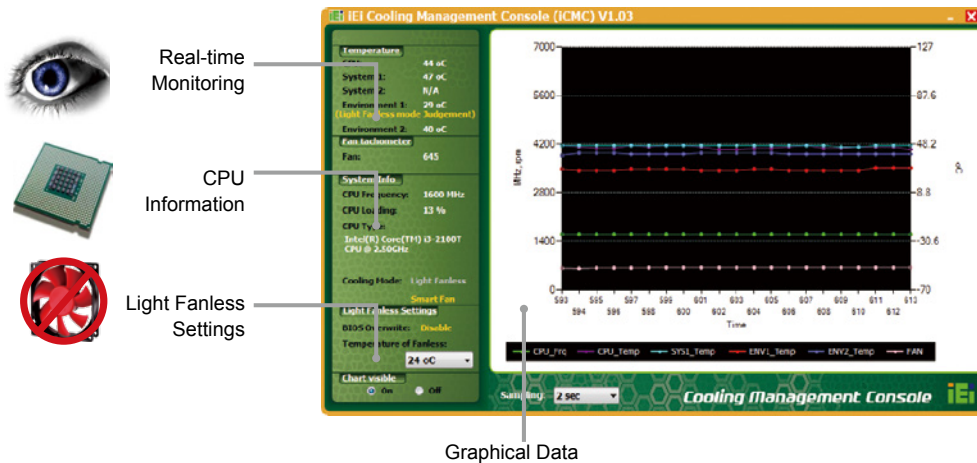


Semi-outdoor Kiosk

iCMC (IEI Cooling Management Console)

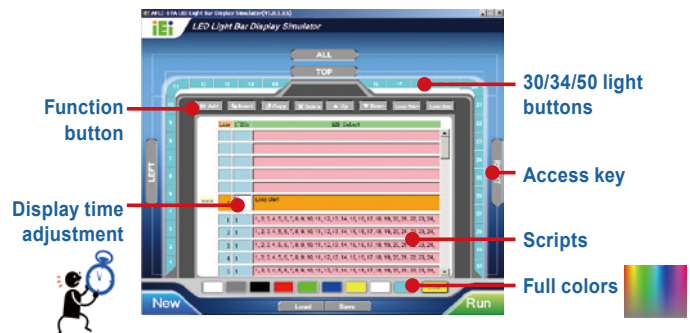


iCMC, IEI's exclusive software, provides reliable embedded features for system integrators. It simplifies integration for the AFOLUX II and upgrades system configuration from the BIOS level to the operating system level.



Graphical Data

» LED Light Visual Management



Features

- Programmable LED RGB colors
- Signaling light display user demand
- Manual scripts for LED lighting programs
- 100% software programmable colors, light duration, and light patterns
- 30 light sections for AFL2-17A-H61, 34 light sections for AFL2-W19A-H61
50 light sections for AFL2-W21A-H61, each light section can be configured independently.

Support LED Light Bar control API for the customer to suit their own software program. Light bar signal are correspond to the light button. User can customize their own light patterns for different conditions.

LED Dash Board for Visual Visual Alert System and Status Notification



Achieving a smooth production line



Medical care alert system



Showing appealing light simulation

AFL2-12A-HM65

Intel® Core™ i7/i5/i3 Processor



Features

- 12.1" 600nits 1024 x 768 flat-bezel LCD with LED backlight
- Supports projected capacitive touchscreen or 5-wire resistive type touchscreen
- Built-in two 3W speakers and microphone
- GbE LAN for high speed network applications
- One 204-pin DDR3 SO-DIMM slot (system max. 4GB)
- Wi-Fi 802.11b/g/n high speed wireless
- EM or Mifare RFID reader
- IP 64 compliant front panel
- Auto-dimming control
- Built-in 2 megapixels webcam with AF AE and AWB capabilities
- Wide range 9~36 VDC input



Specifications

Model		AFL2-12A-HM65	
LCD Specifications	Size	12.1"	
	Resolution	1024 (W) x 768 (H)	
	Brightness (cd/m ²)	600	
	Contrast Ratio	700:1	
	LCD Color	16.2 M	
	Pixel Pitch (mm)	0.240 (H) x 0.240 (V)	
	Viewing Angle (H-V)	160° / 140°	
	Backlight MTBF	50000 hrs (LED backlight)	
Touch	Touch Screen	5-wire resistive type with RS-232 interface / projected capacitive type with USB interface	
	Touch Controller	PenMount DMC9000 / EETI EXC7200 & EXC5400	
System	CPU	2nd Generation Intel® Core™ i7/ i5/ i3 and Celeron® processor	
	Chipset	Intel® HM65	
	RAM	Support one 204-pin DDR3 SO-DIMM slot (Max. 4GB)	
	Ethernet	Realtek RTL8111E PCIe GbE controller supporting ASF 2.0	
	Storage	2.5" SATA 6Gb/s SSD bay	
	Input / Output		1 x RS-232 (DB-9) 1 x RS-232 (RJ-45) 1 x RS-422/485 (4-pin box header) 2 x GbE LAN (RJ-45) 2 x USB 2.0 2 x USB 3.1 Gen 1 (5Gb/s) 1 x Mini USB 2.0 port on front panel 1 x Audio jack (line-out)
			1 x HDMI port 1 x MicroSD card slot on front panel 1 x Power switch 1 x AT/ATX switch 1 x Reset button 1 x Clear CMOS button 1 x DC input jack
	Other Features	Audio	AMP 3W + 3W (internal speaker)
Camera		2 M pixels with low light function	
RFID Reader		EM 125 KHz or Mifare 13.56 MHz card reader (optional)	
MSR Card Reader		MSR card reader (optional)	
OSD Function		LCD on/off, brightness up/down, volume up/down, Hot Key	
Ambient Light Sensor		Yes	
Infrared Remote Controller		Yes	
System Cooling	Smart fan		
Connectivity	Wireless	IEEE 802.11b/g/n module Telec certified	
Physical	Construction Front Panel	PC + ABS Plastic	
	Mounting	Panel, Wall, Rack, Stand and Arm VESA 100 mm x 100 mm	
	Color	Black	
	Dimensions (WxHxD)(mm)	310 x 265 x 52.6	
	Weight (N/G)	3.8 kg / 6.1 kg	
Environment	Operating Temperature (°C) (Ambient with air flow)	-20°C ~ 50°C with SSD	
	Storage Temperature (°C)	-20°C ~ 60°C	
	Humidity	10% to 95% (non-condensing)	
	IP Level	IP 64 compliant front panel	
	Safety&EMC	CE / FCC	
Power	Power Supply	90W power adapter Input: 100VAC~240VAC, 50/60Hz Output: 19VDC	
	Power Requirement	9 ~ 36 VDC	
	Power Consumption	19V@2.68A (Intel® Core™ i5-2510E processor with 4GB DDR3 memory)	

Ordering Information

Part No.		Description
Resistive Touch Screen	AFL2-12A-HM65/R-R15	12.1" 600cd/m ² XGA panel PC, 802.11b/g/n wireless module, resistive touch screen, 2M camera, microphone, dual GbE LAN, R15
Projective Capacitive Touch Screen	AFL2-12A-HM65/PC-R15	12.1" 600cd/m ² XGA panel PC, 802.11b/g/n wireless module, projected capacitive touchscreen, 2M camera, microphone, dual GbE LAN, R15
CPU Selection	CPU-MB-i7-2640M	2nd Generation Intel® Core™ i7 Processor [Mobile], PPGA-988, dual core 2.8GHz, 35W, iAMT
	CPU-MB-i5-2510E	2nd Generation Intel® Core™ i5 Processor [Mobile], PPGA-988, dual core 2.5GHz, 35W, iAMT
	CPU-MB-i3-2310M	2nd Generation Intel® Core™ i3 Processor [Mobile], PPGA-988, dual core 2.1GHz, 35W
	CPU-MB-CM-B810	Intel® Celeron® Mobile Processor, PPGA-988, dual core 1.6GHz, 35 W
	CPU-MB-CM-B710	Intel® Celeron® Mobile Processor, PPGA-988, single core 1.6GHz, 35 W
Memory Selection	DDR3-SO-1333-1GB	SO-DIMM DDR3 1333MHz 1GB
	DDR3-SO-1333-2GB	SO-DIMM DDR3 1333MHz 2GB
	DDR3-SO-1333-4GB	SO-DIMM DDR3 1333MHz 4GB

Options

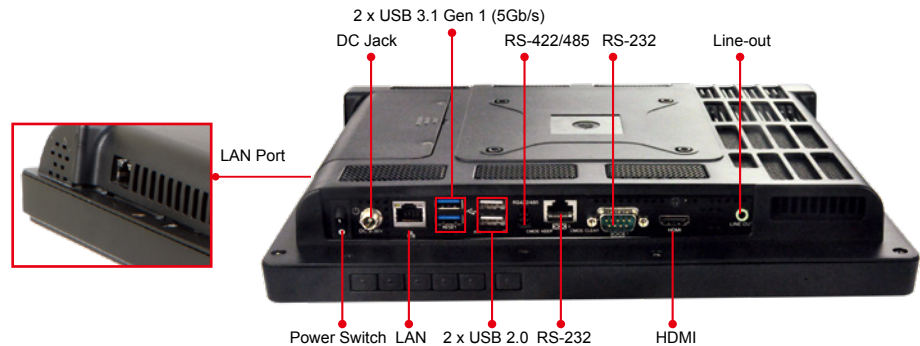
Item	AFL2-12A-HM65
Panel Mounting Kit	AFLPK-15
Wall Mounting Kit	AFLWK-19B
Rack Mounting Kit	AFL2RK-12
Arm	ARM-11-RS
Stand	STAND-A12-RS/STAND-A19-RS/STAND-A21-R10/ STAND-C12-R10
V-Stand	VSTAND-A12-R11
Magnetic Stripe Reader Kit	AFL2P-12AMSR-U-R10
EM RFID Reader	AFL2-EM-RFID-KIT01-R10
Mifare RFID Reader	AFL2-MF-RFID-KIT01-R11
OS: Win XPE (2GB CF Card)	AFL2-12A-HM65-XPE-R15*
OS: Win XPE (4GB CF Card)	AFL2-12A-HM65-XPE-R15*
OS: Win 7 Embedded (4GB CF Card)	AFL2-12A-HM65-WES7P-R14* (for Projected Capacitive Touch) AFL2-12A-HM65-WES7E-R14* (for Resistive Touch)

*OS image with CD-ROM or DVD-ROM

Packing List

Item	P/N	Q'ty	Remark
Utility CD		1	Drivers and user manual
One Key Recovery CD		1	
Power Adapter	63040-010090-120-RS	1	90W ;19VDC output
Power Cord	32702-000401-100-RS	1	1500 mm, European Standard
Power Transfer Cord	32702-000300-100-RS	1	
M3 Screw Pack	44013-030041-RS	4	M3*4 for securing HDD
M4 Screw Pack	44403-040061-RS	4	M4*4 VESA screw
Touch Pen	43125-0002C0-00-RS	1	
RJ-45 to DB-9 COM Port Cable	32005-000200-200-RS	1	
IR Remote Controller	7Z000-SLPCB005-RS	1	
RS-422 Cable	32205-002400-100-RS	1	
Pen	43125-0002C0-00-RS	1	For Resistive Touch

AFL2-12A-HM65 Fully Integrated I/O



AFL2-12A-HM65 Dimensions (Unit: mm)

